



US00D540489S

(12) **United States Design Patent** (10) **Patent No.:** **US D540,489 S**  
**Leventhal et al.** (45) **Date of Patent:** **\*\* Apr. 10, 2007**

(54) **SHAVER AND HAIR TRIMMER**  
(75) Inventors: **James M. Leventhal**, Boston, MA  
(US); **Jordan Nollman**, San Francisco,  
CA (US)  
(73) Assignee: **Clio Designs Incorporated**, Watertown,  
MA (US)  
(\*\*) Term: **14 Years**

5,638,601 A 6/1997 Mol et al. .... 30/41  
D388,540 S 12/1997 Ramar ..... D28/45  
6,189,222 B1 \* 2/2001 Doyle ..... 30/531  
6,499,218 B2 12/2002 Rocha ..... 30/41  
6,928,738 B2 8/2005 Segrea ..... 30/34.1  
D520,188 S 5/2006 Nishiyama et al. .... D28/51  
7,093,363 B1 \* 8/2006 Kuo ..... 30/47  
2003/0177648 A1 9/2003 Zeiter ..... 30/526  
2004/0074097 A1 \* 4/2004 Guimont et al. .... 30/41.5  
2004/0107585 A1 6/2004 Helmrich ..... 30/537  
2005/0011072 A1 1/2005 Segrea ..... 30/34.05  
2005/0229398 A1 10/2005 Leventhal ..... 30/34.1

(21) Appl. No.: **29/262,970**  
(22) Filed: **Jul. 14, 2006**

**Related U.S. Application Data**

(63) Continuation of application No. 10/960,194, filed on Oct. 6,  
2004, now Pat. No. 7,103,980.  
(51) **LOC (8) Cl.** ..... **28-03**  
(52) **U.S. Cl.** ..... **D28/46; D28/49; D28/53**  
(58) **Field of Classification Search** ..... 30/32,  
30/34.05, 34.1, 34.2, 41-41.6, 43-43.92,  
30/44-45, 47-50, 526-533; D28/44-46,  
D28/49-53  
See application file for complete search history.

(56) **References Cited**

**U.S. PATENT DOCUMENTS**

D206,437 S 12/1966 Peclard ..... D22/3  
3,500,539 A \* 3/1970 Muros ..... 30/40.1  
D245,460 S 8/1977 Poisson ..... D28/46  
D268,371 S 3/1983 Iwai et al. .... D28/49  
D279,509 S 7/1985 Abe et al. .... D28/49  
D283,061 S 3/1986 Kitashima et al. .... D28/53  
D290,531 S 6/1987 Seiffert et al. .... D28/49  
D295,564 S 5/1988 Iwai ..... D28/49  
D304,866 S 11/1989 Yonezawa et al. .... D28/49  
D309,036 S 7/1990 Cheng ..... D28/46  
D312,861 S 12/1990 Cerniglia ..... D28/46  
5,014,427 A 5/1991 Byrne ..... 30/41  
D341,003 S 11/1993 Muramatsu et al. .... D28/49  
D346,461 S \* 4/1994 Reno ..... D28/46  
D351,485 S \* 10/1994 Miskin ..... D28/46  
D353,020 S 11/1994 Conti ..... D28/46  
D370,742 S 6/1996 Chase ..... D28/46

**FOREIGN PATENT DOCUMENTS**

GB 1014415 3/1983  
GB 2014202 11/1990  
GB 2034898 5/1993

**OTHER PUBLICATIONS**

“Test Markets/Marketing News”, *Household and Personal  
Products Industry*, Nov. 1998, p. 92.  
Fahey, Alison, “Gillette readies Sensor”, *Advertising Age*,  
Sep. 18, 1989.

\* cited by examiner

*Primary Examiner*—Jennifer Rivard  
(74) *Attorney, Agent, or Firm*—Mintz, Levin, Cohn, Ferris,  
Glovsky and Popeo, P.C.

(57) **CLAIM**

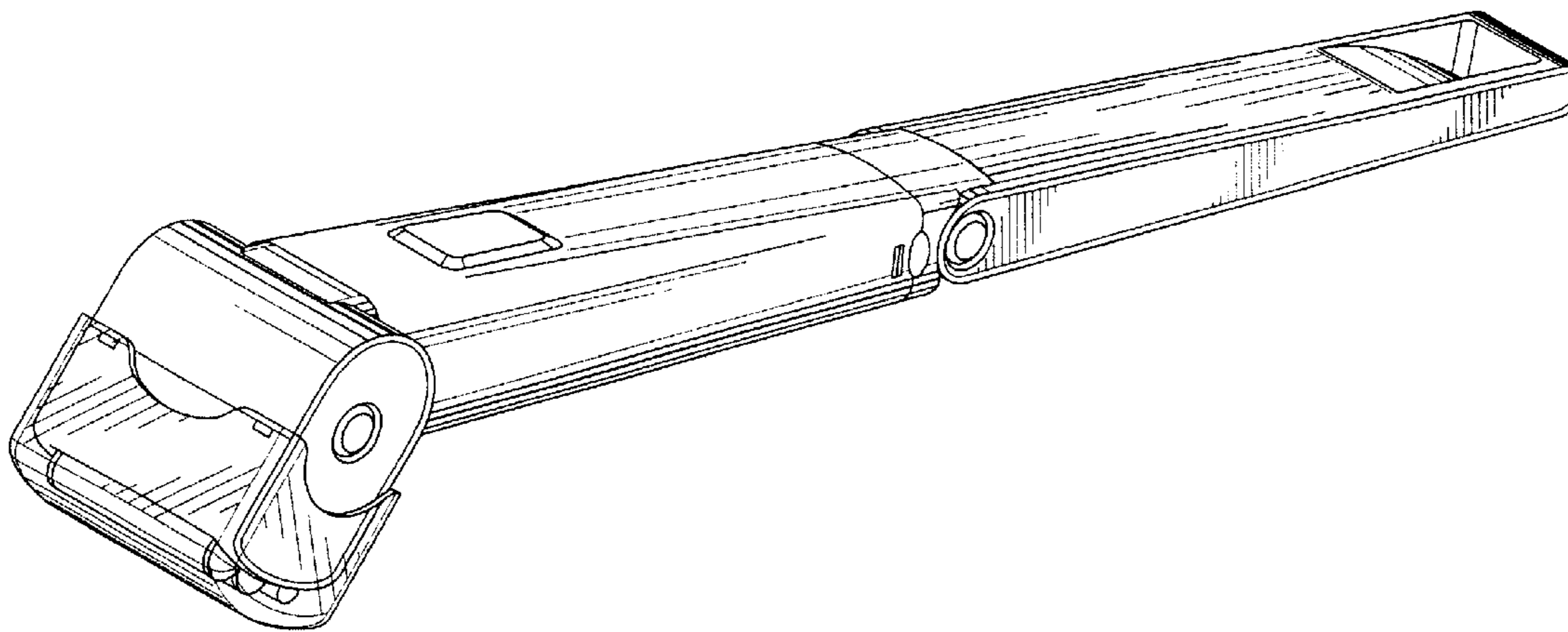
The ornamental design for a shaver and hair trimmer, as  
shown and described.

**DESCRIPTION**

FIG. 1 is a perspective view of the new design for a shaver  
and hair trimmer;  
FIG. 2 is a top plan view thereof;  
FIG. 3 is a bottom plan view thereof;  
FIG. 4 is a right side view thereof, the left side view being  
a mirror image;  
FIG. 5 is a front view thereof; and,  
FIG. 6 is a rear view thereof.

The ornamental design that is claimed is shown in solid lines  
in the drawings.

**1 Claim, 5 Drawing Sheets**



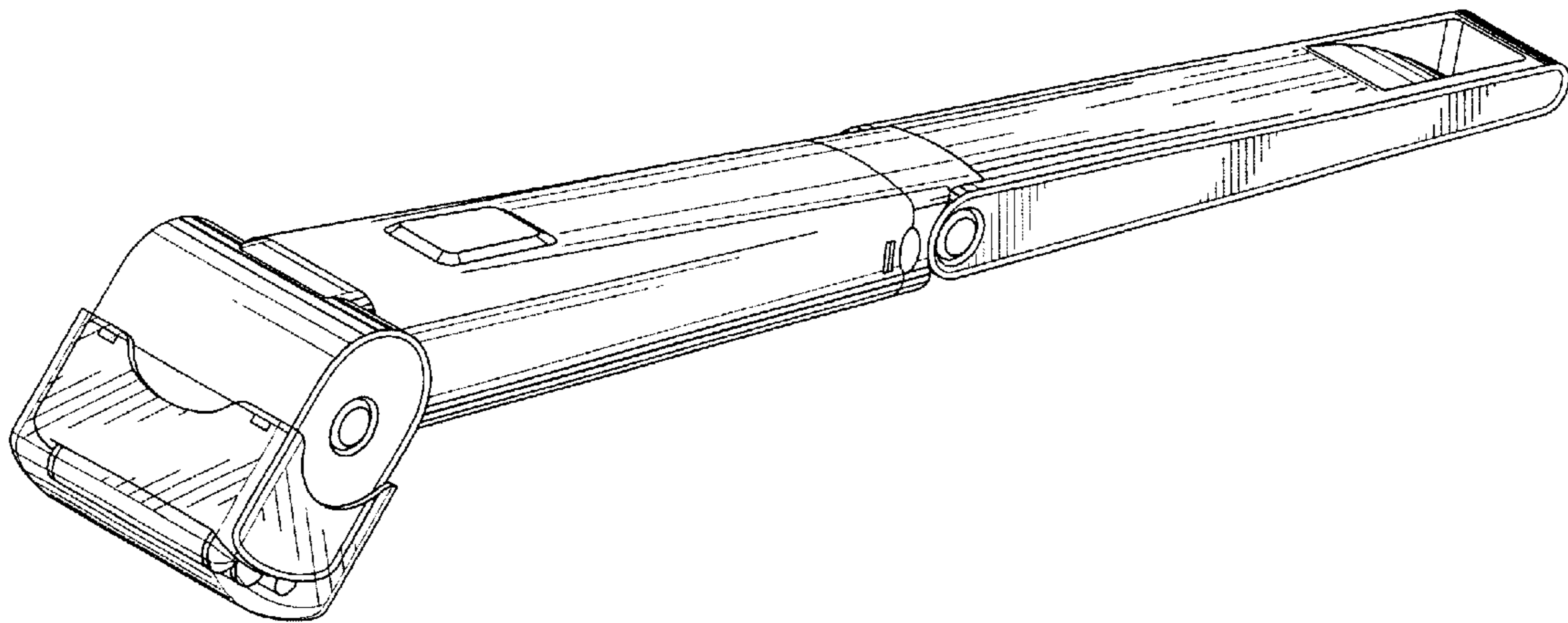


Fig. 1

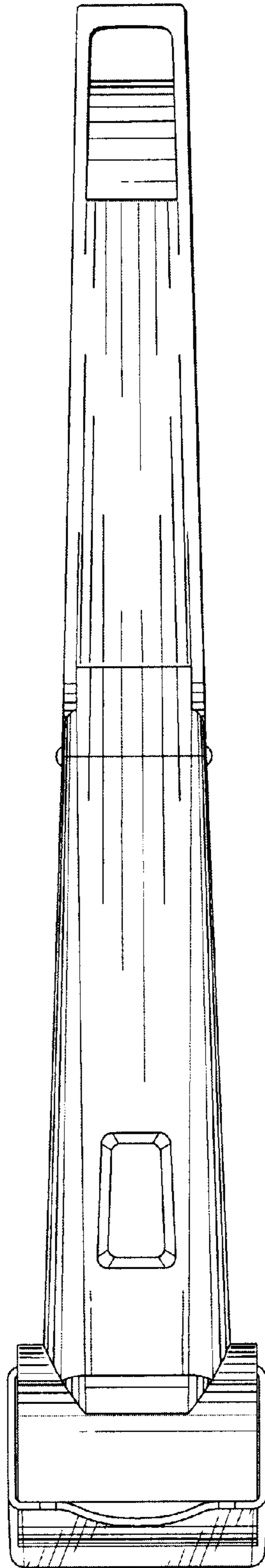


Fig. 2

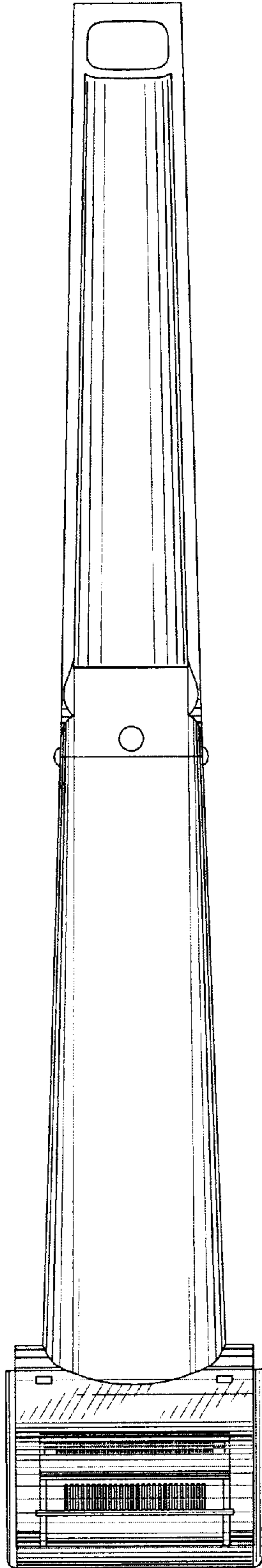


Fig. 3

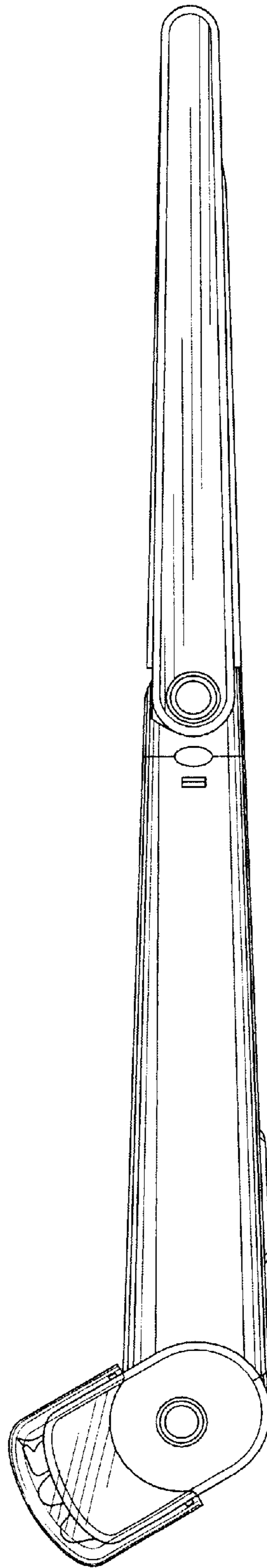


Fig. 4

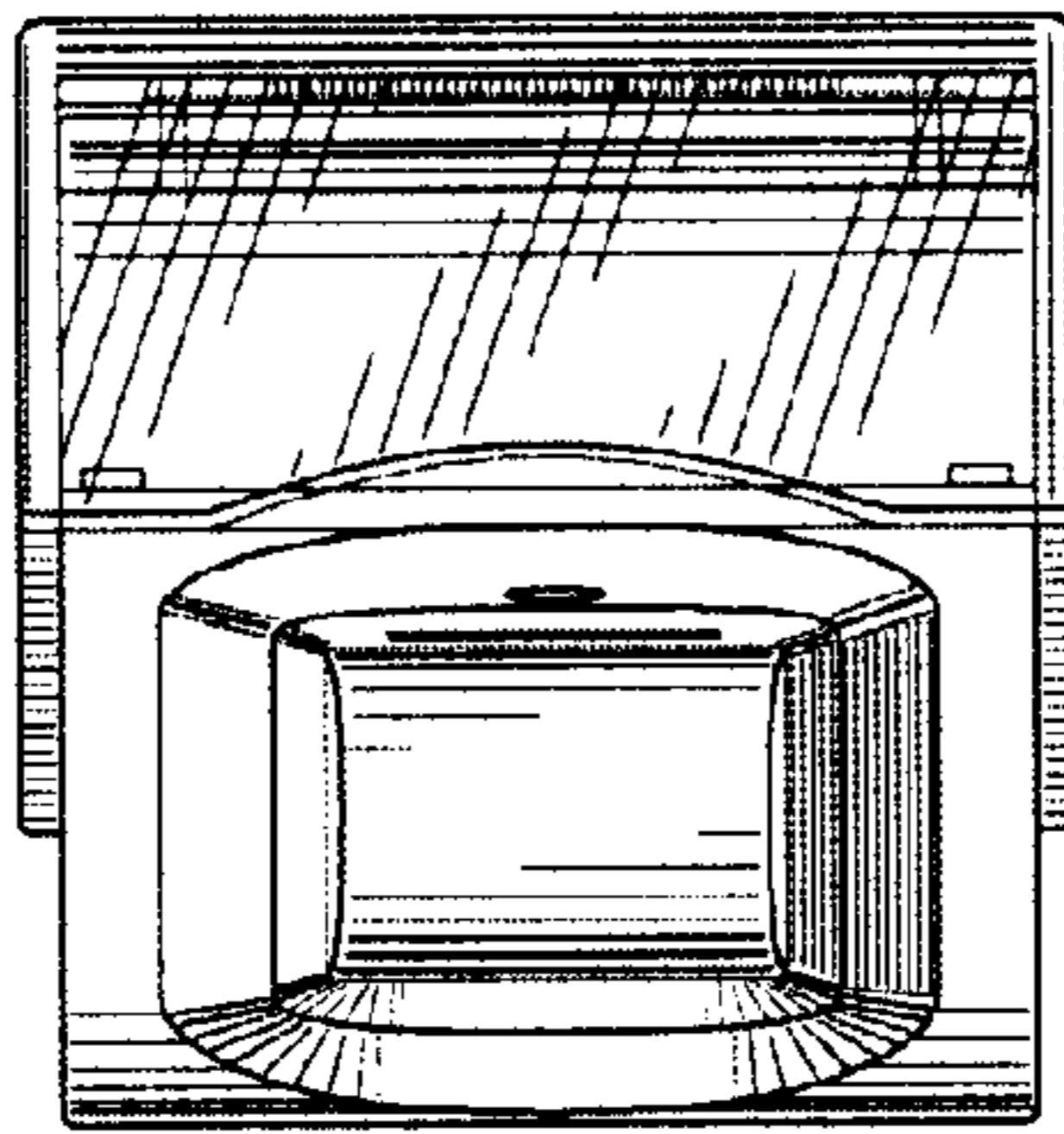


Fig. 5

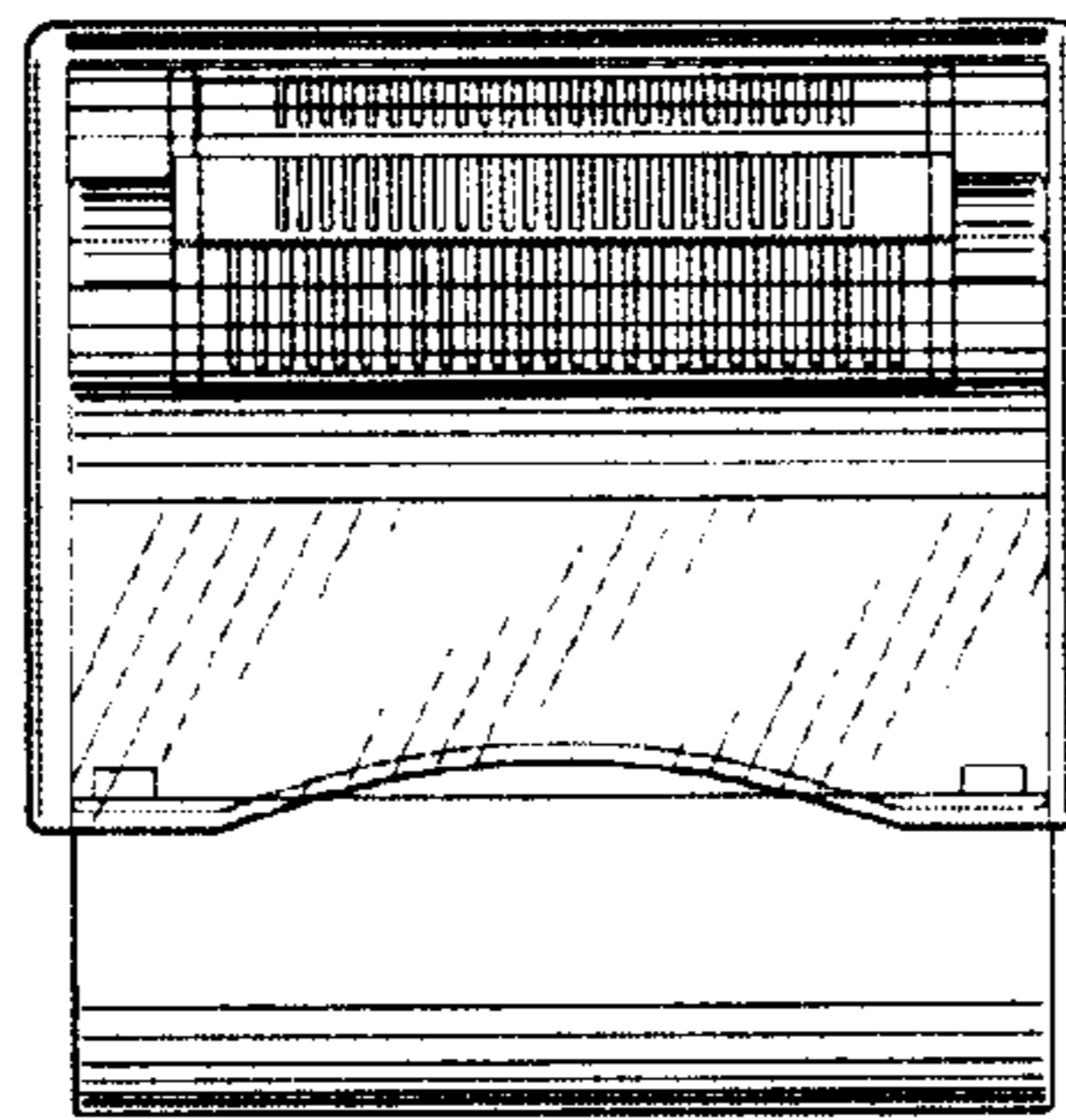


Fig. 6