



US00D540488S

(12) **United States Design Patent**
Huang

(10) **Patent No.:** **US D540,488 S**

(45) **Date of Patent:** **** Apr. 10, 2007**

(54) **CHROME PLASTIC BEZEL FOR A LIGHT ORNAMENT**

D499,506 S * 12/2004 Tsai D26/139
D531,346 S * 10/2006 Lin D26/139

(75) Inventor: **Nan Huang Huang**, Rancho Palos Verdes, CA (US)

* cited by examiner

Primary Examiner—Marcus A. Jackson

(73) Assignee: **Grand General Accessories Manufacturing Inc.**, Rancho Dominguez, CA (US)

(74) *Attorney, Agent, or Firm*—Thomas I. Rozsa

(**) Term: **14 Years**

(57) **CLAIM**

The ornamental design for a chrome plastic bezel for a light ornament, as shown and described.

(21) Appl. No.: **29/258,655**

DESCRIPTION

(22) Filed: **Apr. 24, 2006**

FIG. 1 is a perspective view of a chrome plastic bezel for a light ornament, showing my design.

(51) **LOC (8) Cl.** **26-05**

FIG. 2 is a front elevational view;

(52) **U.S. Cl.** **D26/139**

FIG. 3 is a rear elevational view;

(58) **Field of Classification Search** D26/28–36,

FIG. 4 is side elevational view when viewed from the left side;

D26/139; 362/61, 80, 81, 82, 83, 267, 269,

FIG. 5 is a side elevational view when viewed from the right side;

362/275, 459–468, 475–478, 485–487

FIG. 6 is a bottom elevational view; and,

See application file for complete search history.

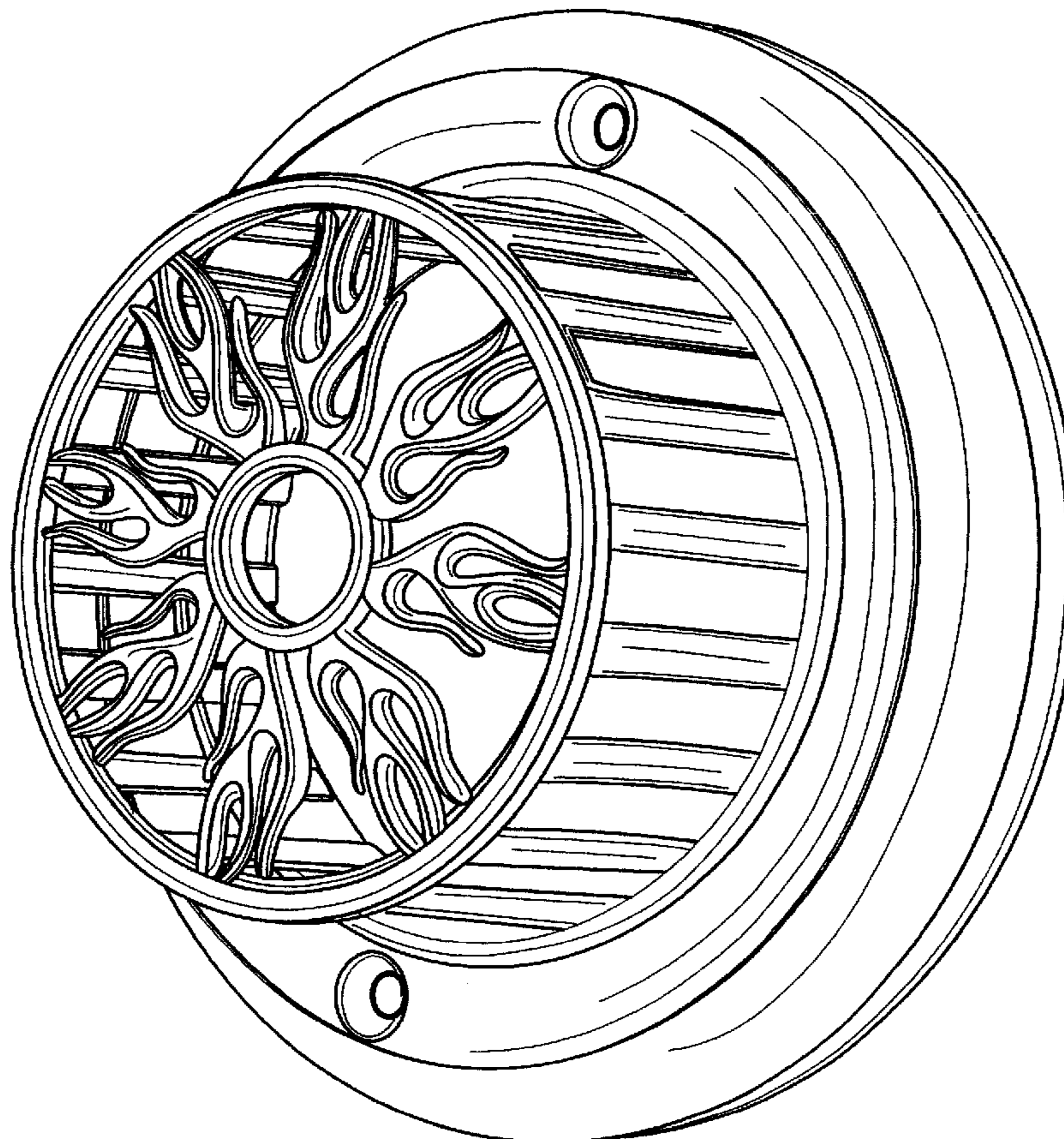
FIG. 7 is a top elevational view.

(56) **References Cited**

U.S. PATENT DOCUMENTS

D440,559 S * 4/2001 Ballard et al. D14/219

1 Claim, 5 Drawing Sheets



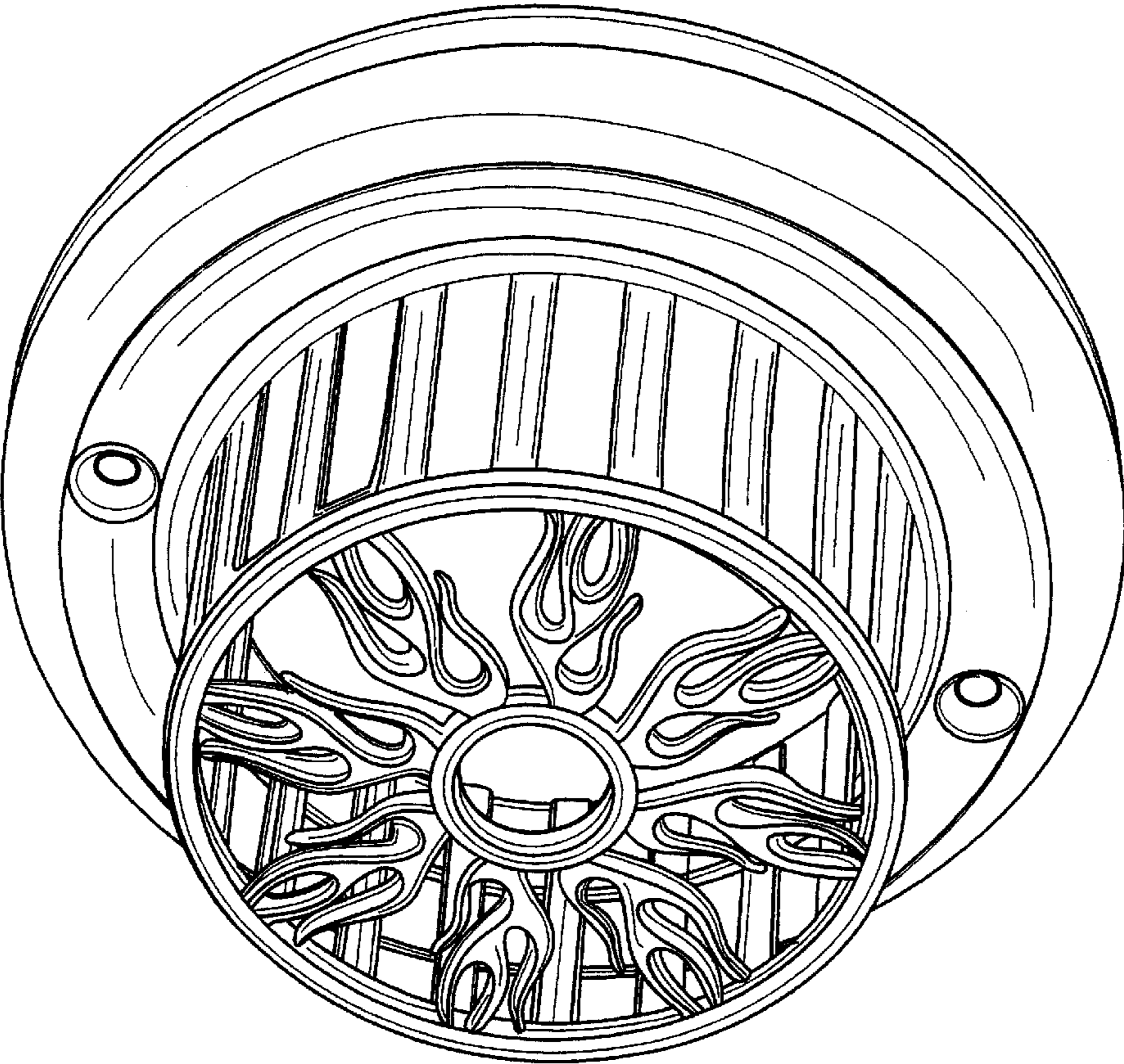


FIG. 1

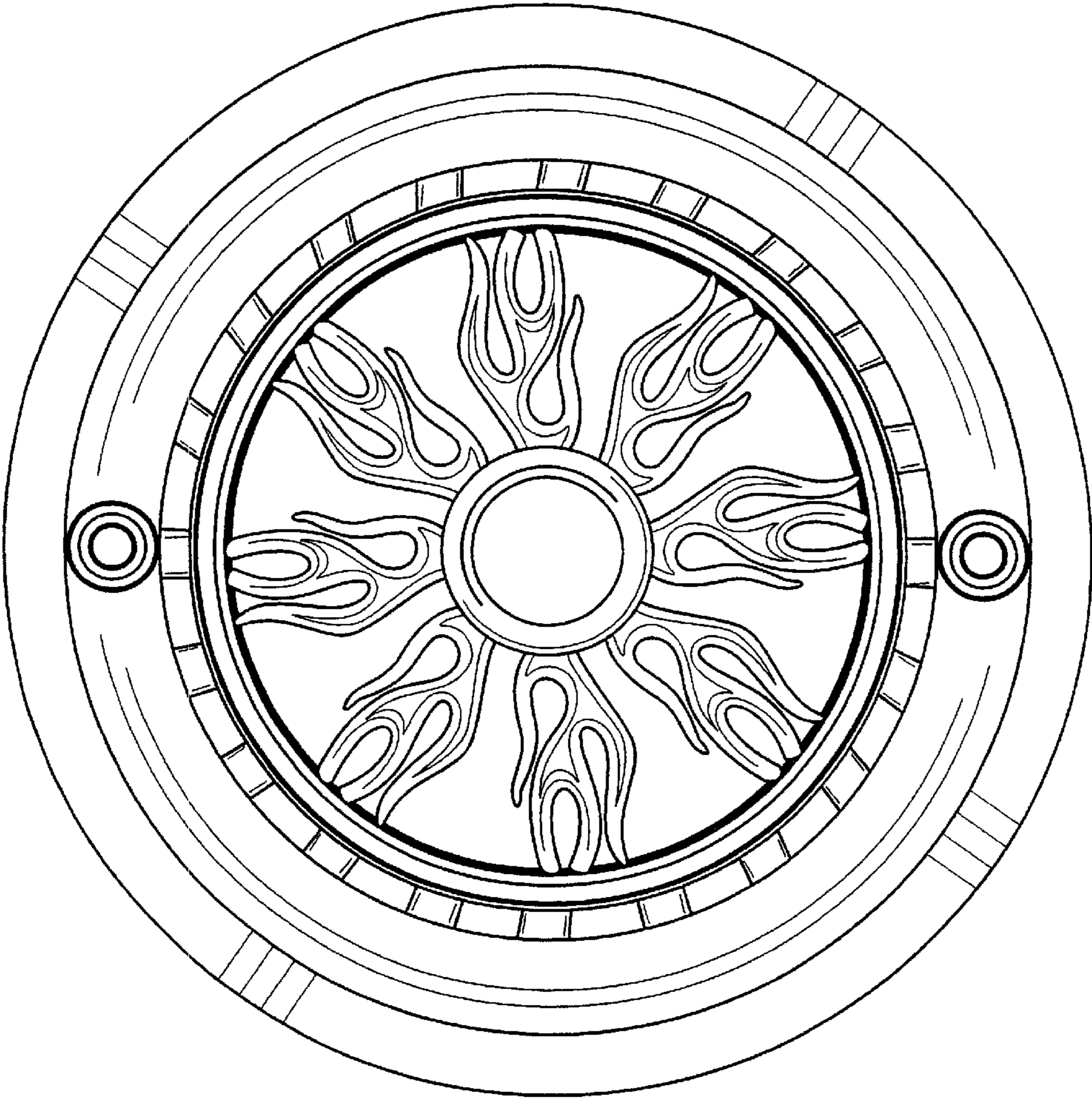


FIG. 2

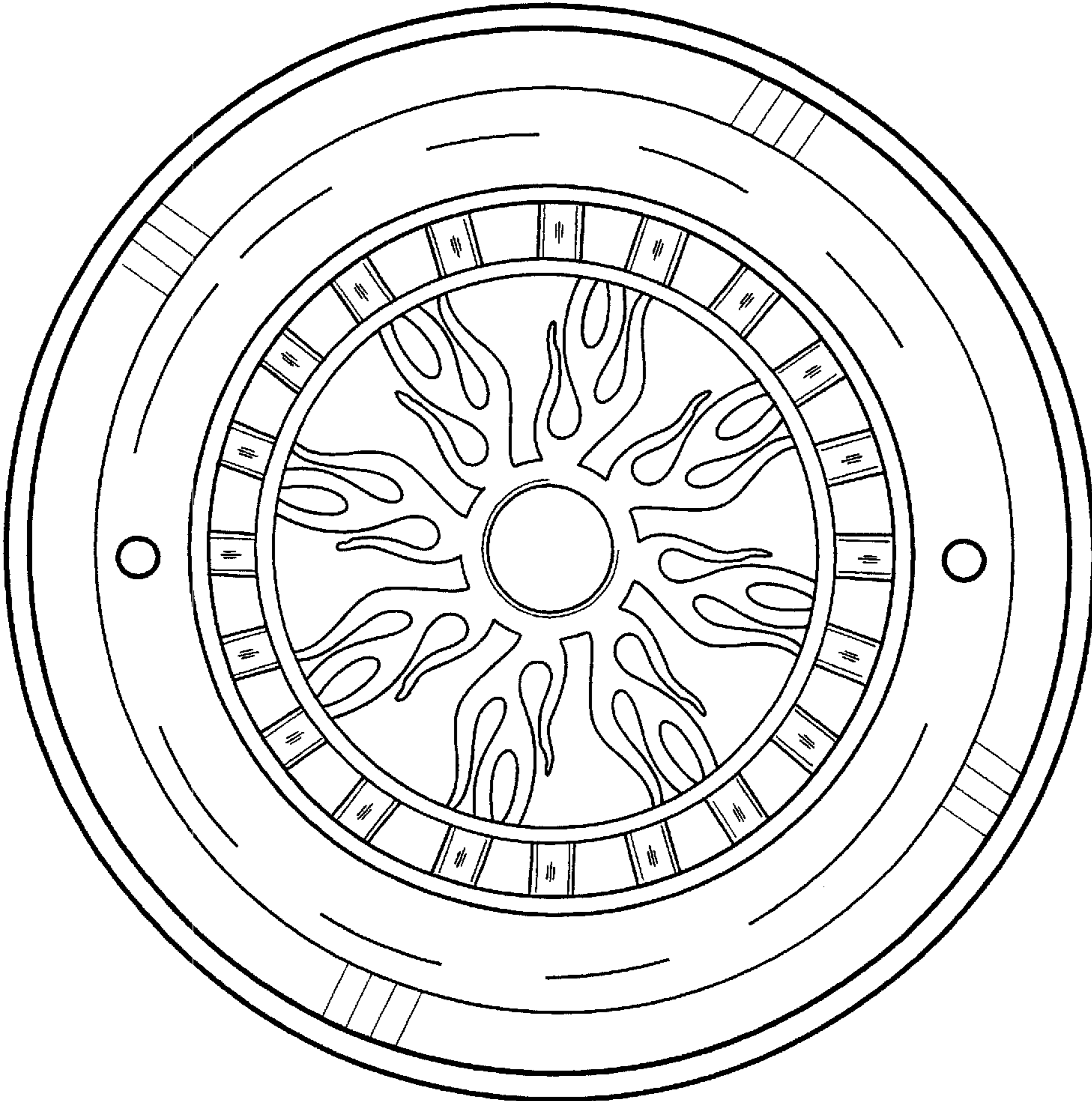


FIG. 3

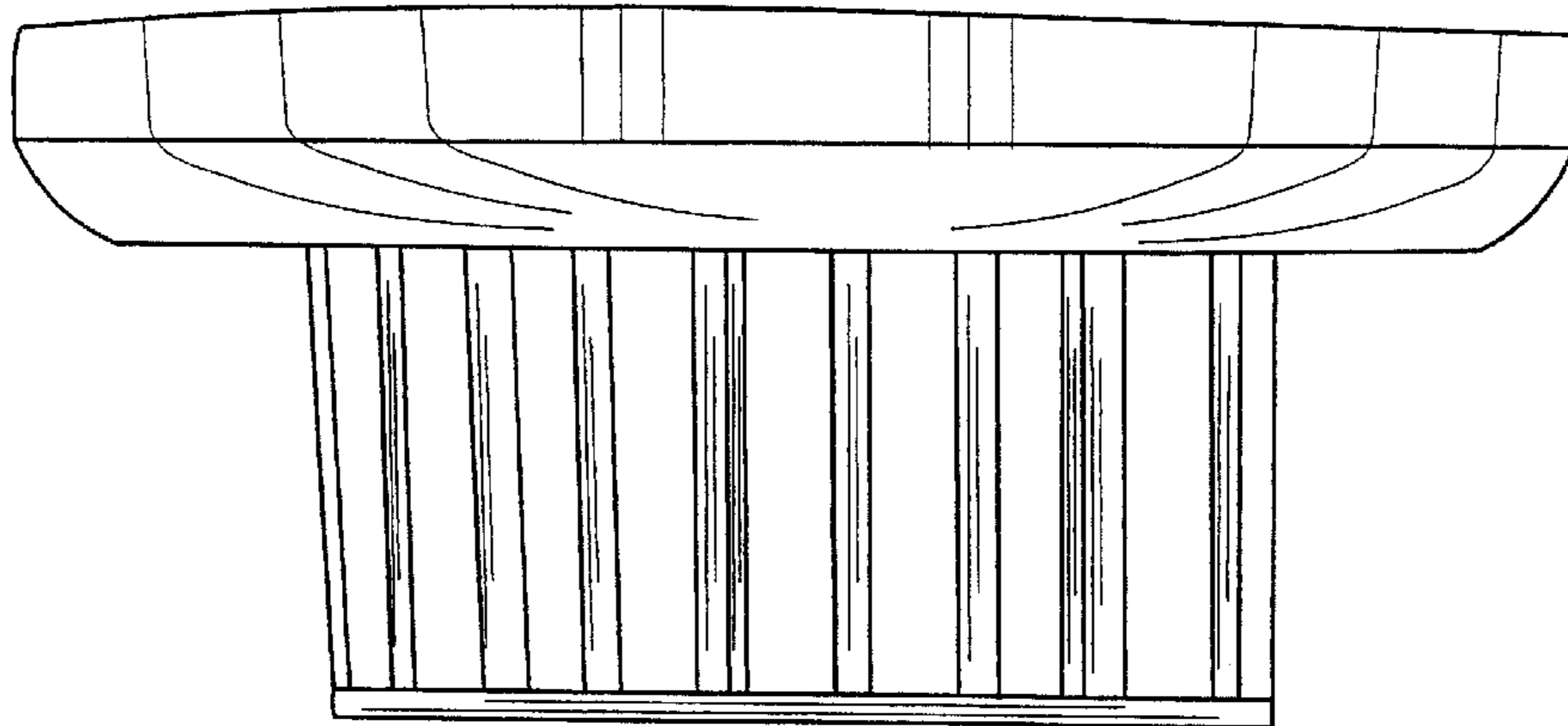


FIG. 5

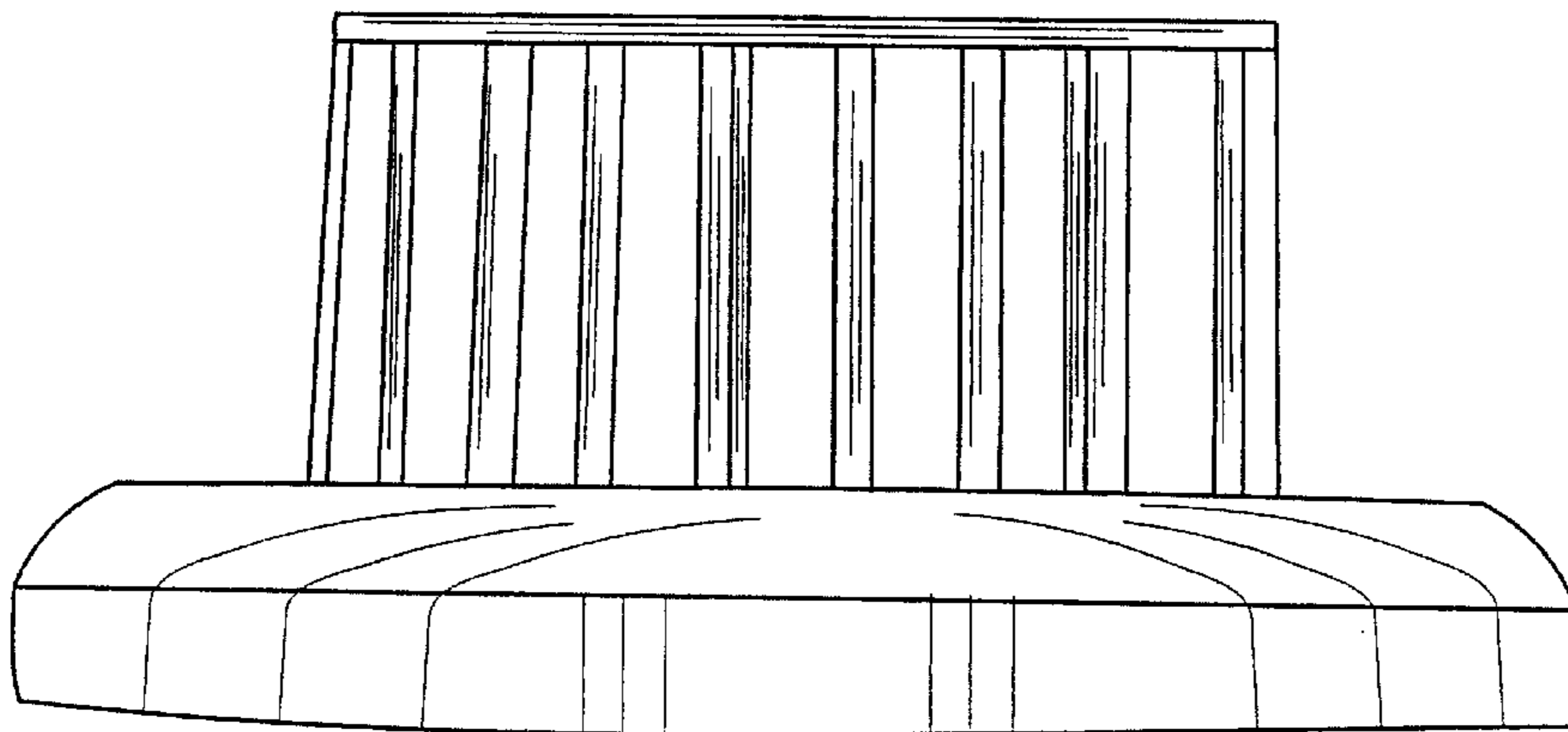


FIG. 4

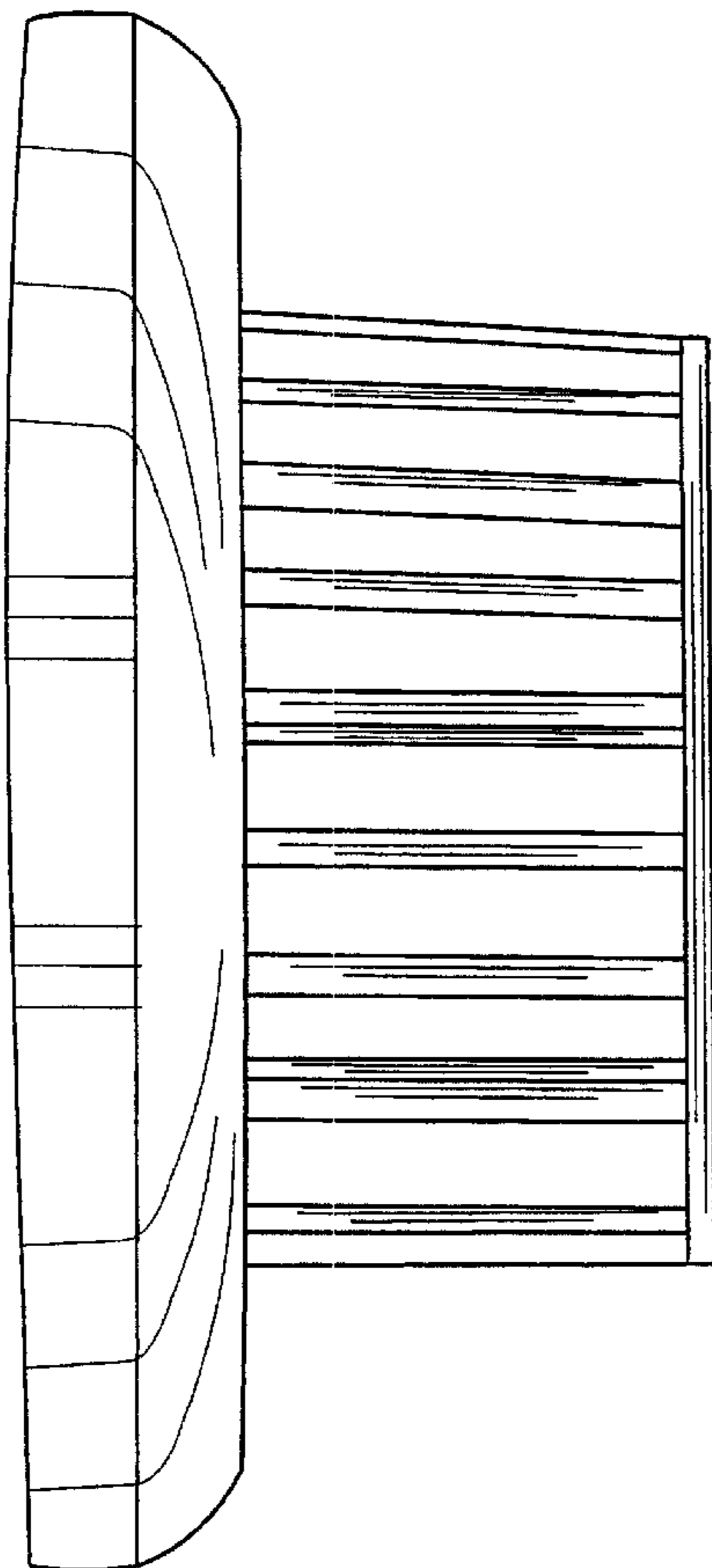


FIG. 6

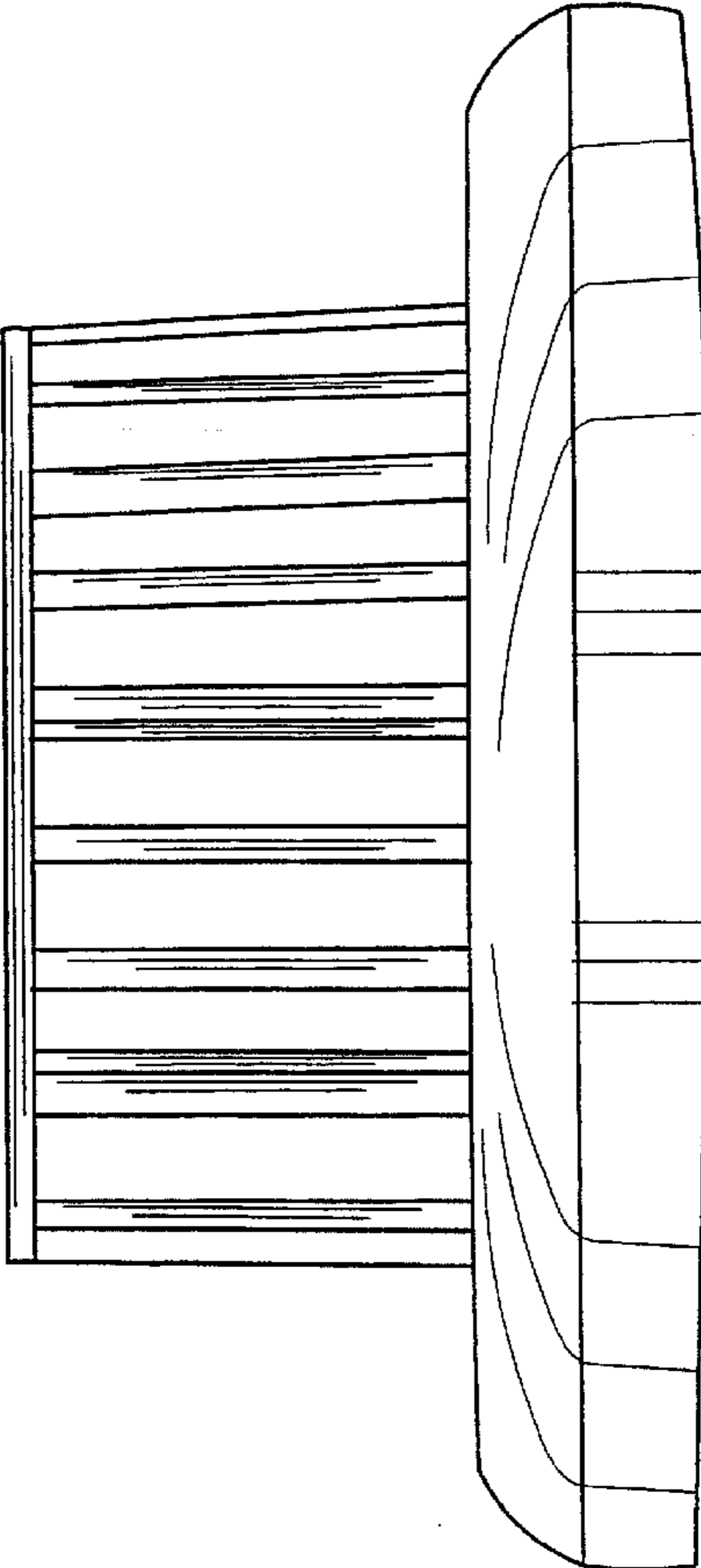


FIG. 7