



US00D540487S

(12) **United States Design Patent**
Beeson

(10) **Patent No.:** **US D540,487 S**

(45) **Date of Patent:** **** Apr. 10, 2007**

(54) **LIGHT BOX**

Primary Examiner—Linda Brooks
Assistant Examiner—Alan P. Douglas

(76) **Inventor:** **James A. Beeson**, 4812 Wasson Rd.,
Big Spring, TX (US) 79720

(74) *Attorney, Agent, or Firm*—Michael A. O’Neil

(**) **Term:** **14 Years**

(21) **Appl. No.:** **29/246,742**

(57) **CLAIM**

(22) **Filed:** **May 8, 2006**

The ornamental design for a light box, as shown and described.

(51) **LOC (8) Cl.** **26-03**

DESCRIPTION

(52) **U.S. Cl.** **D26/94**

(58) **Field of Classification Search** D26/93–112,
D26/51, 58; 362/253, 806, 410–414, 97,
362/127, 133, 134; D6/399, 495
See application file for complete search history.

FIG. 1 is a top perspective view of a first embodiment of a light box which embodies the present design shown in full lines; the items shown in broken lines are depicted for illustrative purposes only and form no part of the claimed design; only one side view of the light box is shown because the each of the side views are identical;
FIG. 2 is a side view of the light box of FIG. 1;
FIG. 3 is a top view of the light box of FIG. 1; and,
FIG. 4 is a bottom view of the light box of FIG. 1.

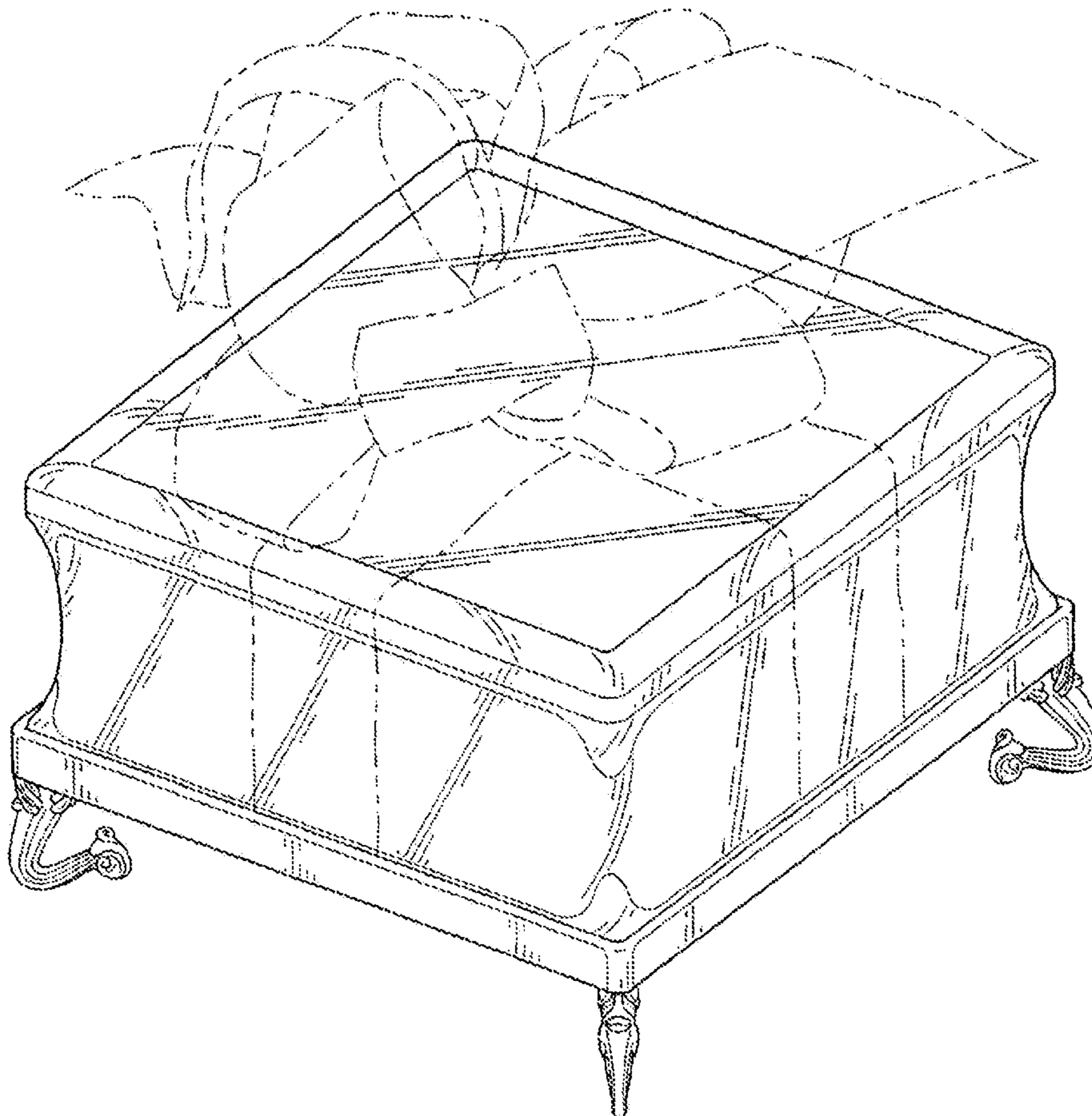
(56) **References Cited**

U.S. PATENT DOCUMENTS

D270,399 S	*	9/1983	Miller	D6/399
D442,320 S	*	5/2001	Pudlowski et al.	D26/94
D447,893 S	*	9/2001	Simonelli et al.	D6/486

* cited by examiner

1 Claim, 3 Drawing Sheets



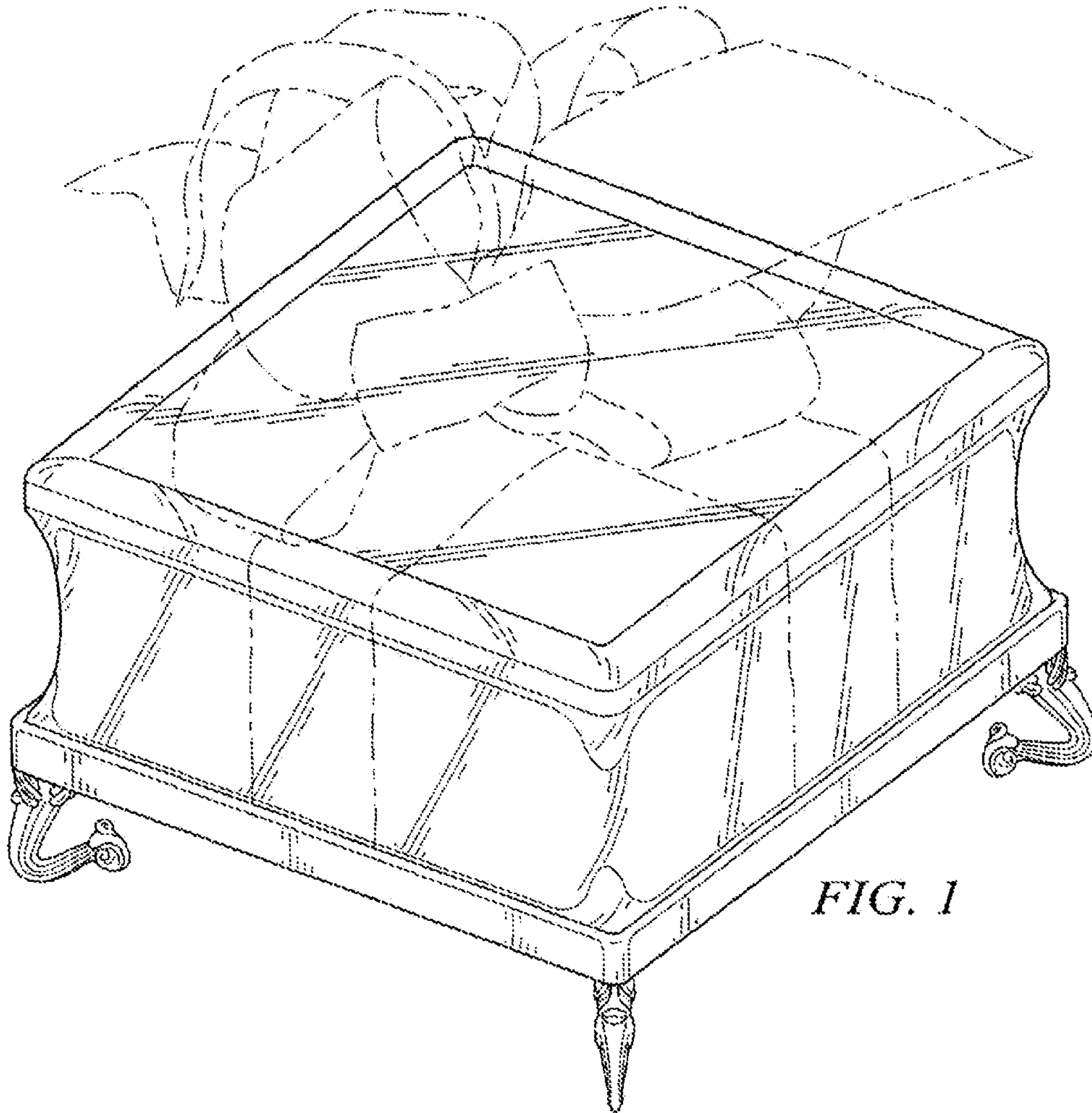


FIG. 1

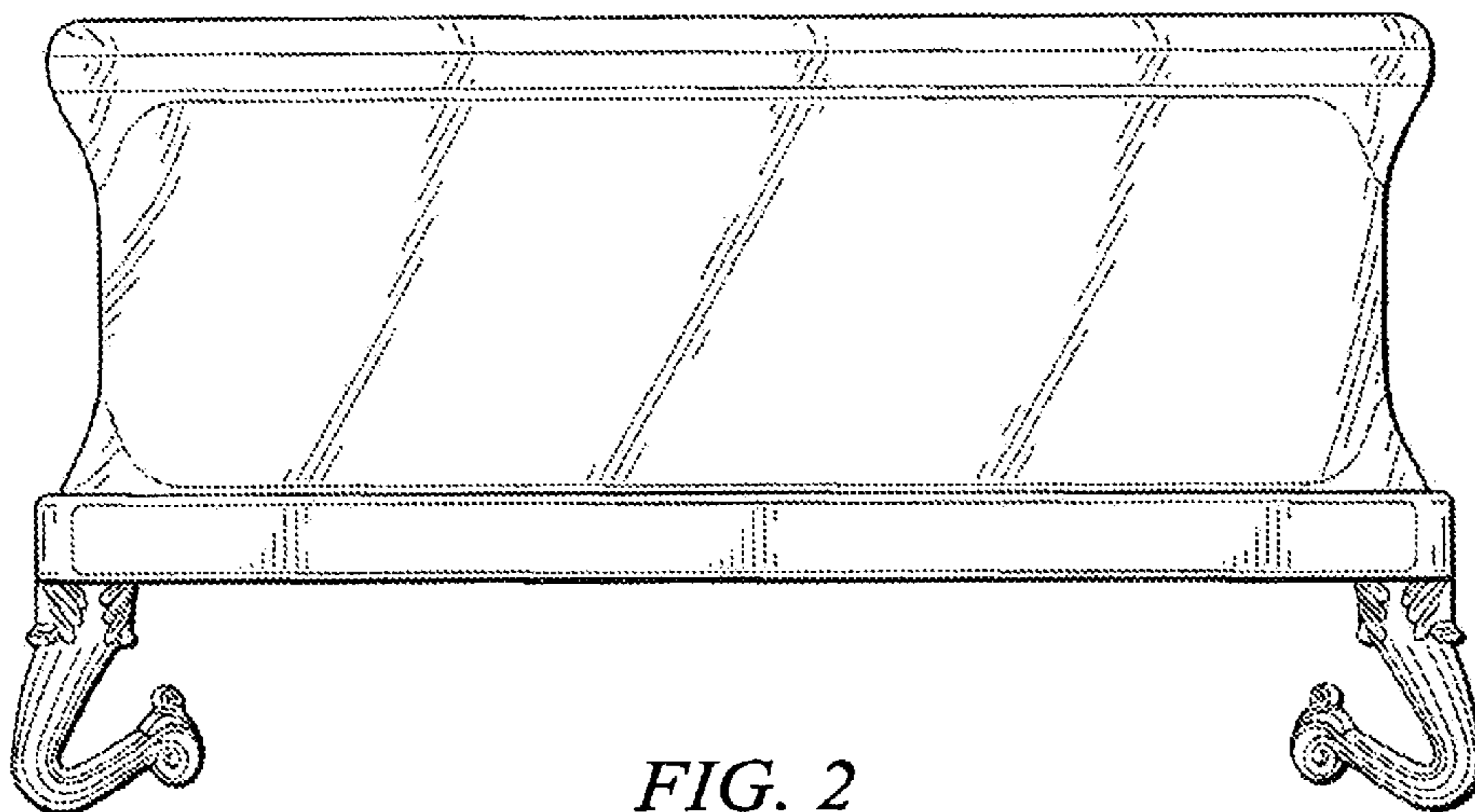


FIG. 2

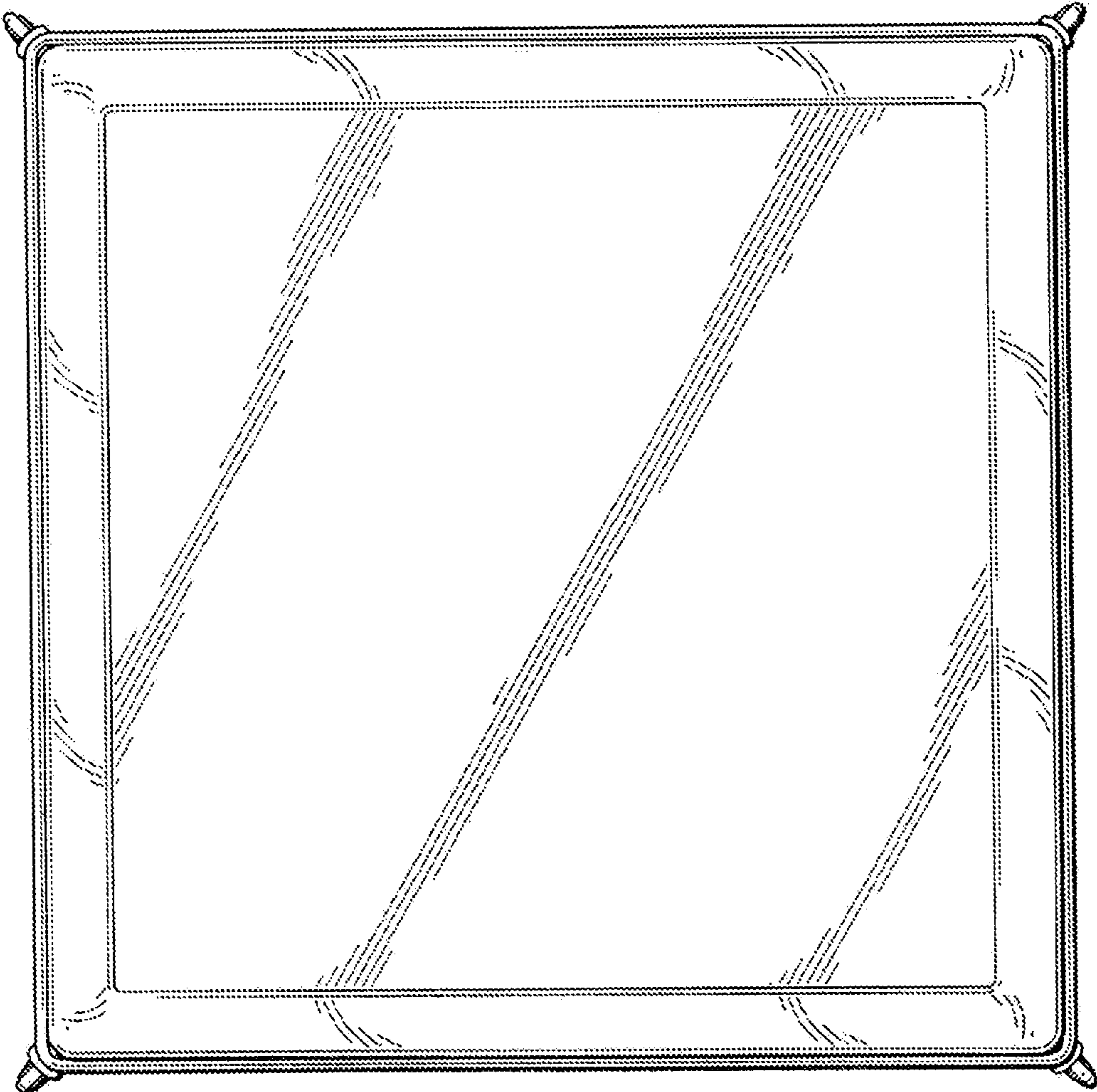


FIG. 3

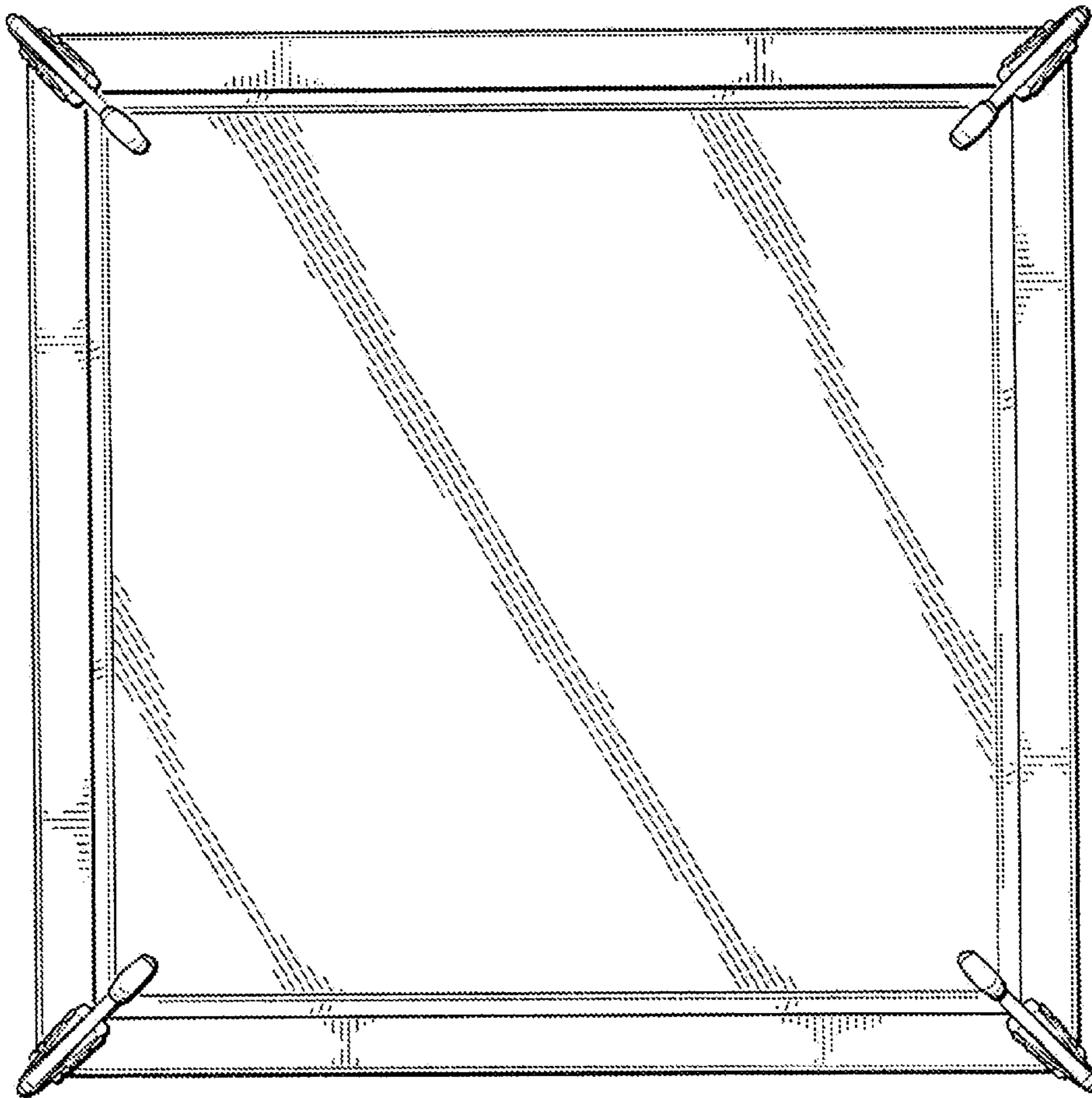


FIG. 4