



US00D540485S

(12) **United States Design Patent**
Waedeled

(10) **Patent No.:** **US D540,485 S**

(45) **Date of Patent:** **** Apr. 10, 2007**

(54) **CAMPING LAMP**

(75) Inventor: **Peter Waedeled**, Shunde (CN)

(73) Assignee: **Centritech Limited**, Hong Kong (CN)

(**) Term: **14 Years**

(21) Appl. No.: **29/218,366**

(22) Filed: **Dec. 1, 2004**

(51) **LOC (8) Cl.** **26-05**

(52) **U.S. Cl.** **D26/70**

(58) **Field of Classification Search** 362/183,
362/184, 194, 209, 216, 252, 431, 800, 140,
362/249, 157; D26/67-71, 24

See application file for complete search history.

(56) **References Cited**

U.S. PATENT DOCUMENTS

D88,439 S	*	11/1932	Pieper	D26/24
D91,342 S	*	1/1934	Yohe	D26/24
D178,575 S	*	8/1956	Larson	D26/24
D208,325 S	*	8/1967	Bobrick	D26/67
4,225,909 A	*	9/1980	Scholz et al.	362/431
4,613,847 A	*	9/1986	Scolari et al.	362/157
D309,953 S	*	8/1990	Chien	D26/67
D315,801 S	*	3/1991	Luger	D26/24
5,733,035 A	*	3/1998	Spencer et al.	362/140
D442,719 S	*	5/2001	Gluck	D26/67
D468,472 S	*	1/2003	Mullally et al.	D26/67
D475,801 S	*	6/2003	Stewart	D26/67
D495,087 S	*	8/2004	Brown et al.	D26/67
D497,447 S	*	10/2004	Yoneda	D26/24
2004/0246705 A1	*	12/2004	Lu	362/800
2005/0146863 A1	*	7/2005	Mullani	362/140

* cited by examiner

Primary Examiner—Clare E Heflin

(74) *Attorney, Agent, or Firm*—Klein O'Neill & Singh, LLP; Howard J. Klein

(57) **CLAIM**

The ornamental design for a camping lamp, as shown and described.

DESCRIPTION

FIG. 1 is a top perspective view of a camping lamp, in accordance with a first embodiment of my new design;

FIG. 2 is a top plan view of the camping lamp of FIG. 1;

FIG. 3 is a bottom plan view of the camping lamp of FIG. 1;

FIG. 4 is a side elevational view of the camping lamp of FIG. 1;

FIG. 5 is a top perspective view of a camping lamp, in accordance with a second embodiment of my new design;

FIG. 6 is a top plan view of the camping lamp of FIG. 5;

FIG. 7 is a bottom plan view of the camping lamp of FIG. 5;

FIG. 8 is a side elevational view of the camping lamp of FIG. 5, taken from the left side of FIG. 6;

FIG. 9 is a side elevational view of the camping lamp of FIG. 5, taken from the right side of FIG. 6;

FIG. 10 is a top perspective view of a camping lamp in accordance with a third embodiment of my new design;

FIG. 11 is a top plan view of the camping lamp of FIG. 10;

FIG. 12 is a bottom plan view of the camping lamp of FIG. 10;

FIG. 13 is a rear elevational view of the camping lamp of FIG. 10;

FIG. 14 is a front elevational view of the camping lamp of FIG. 10;

FIG. 15 is a top perspective view of a camping lamp, in accordance with a fourth embodiment of my new design;

FIG. 16 is a bottom plan view of the camping lamp of FIG. 15; and,

FIG. 17 is a side elevational view of the camping lamp of FIG. 15.

1 Claim, 4 Drawing Sheets

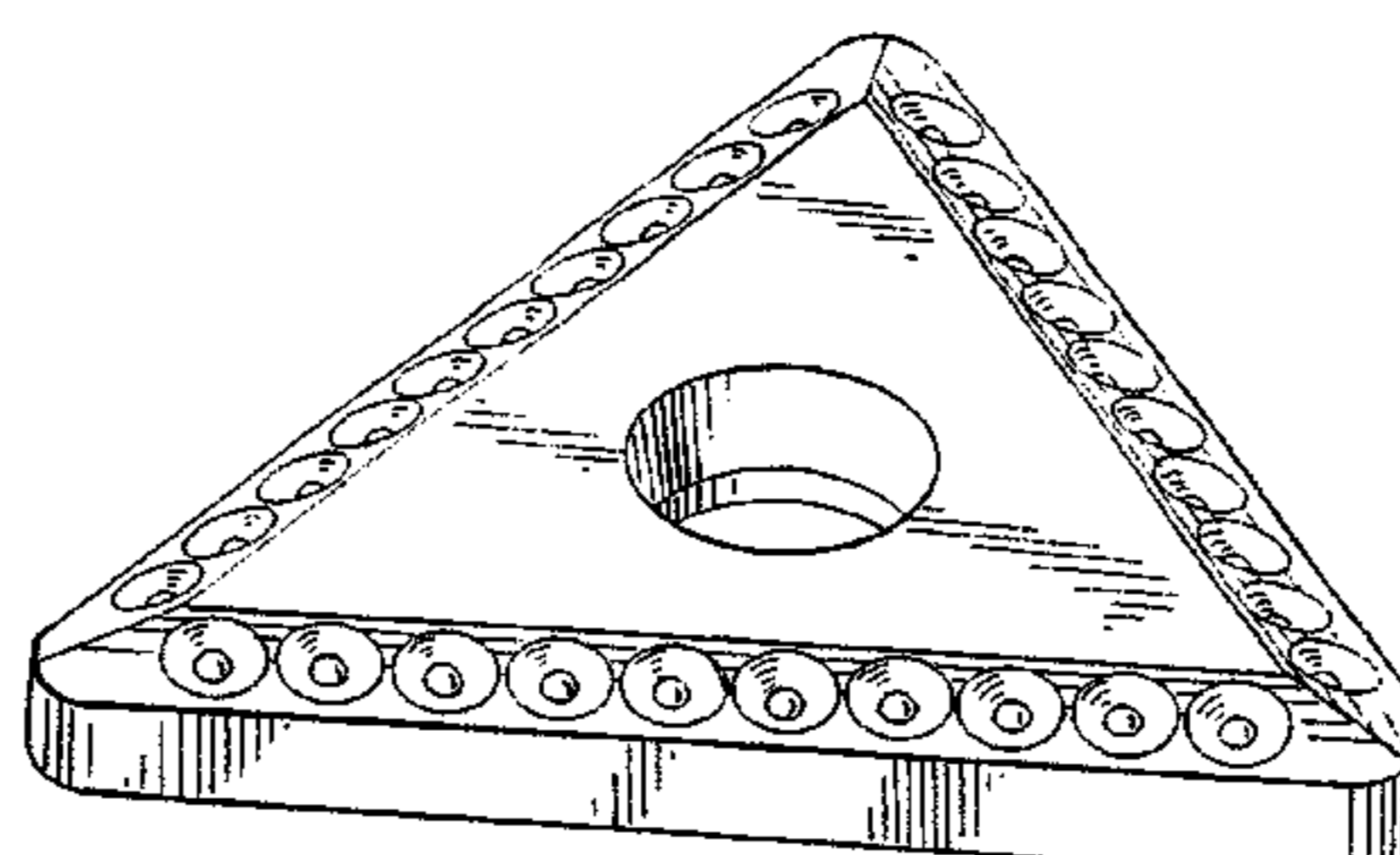
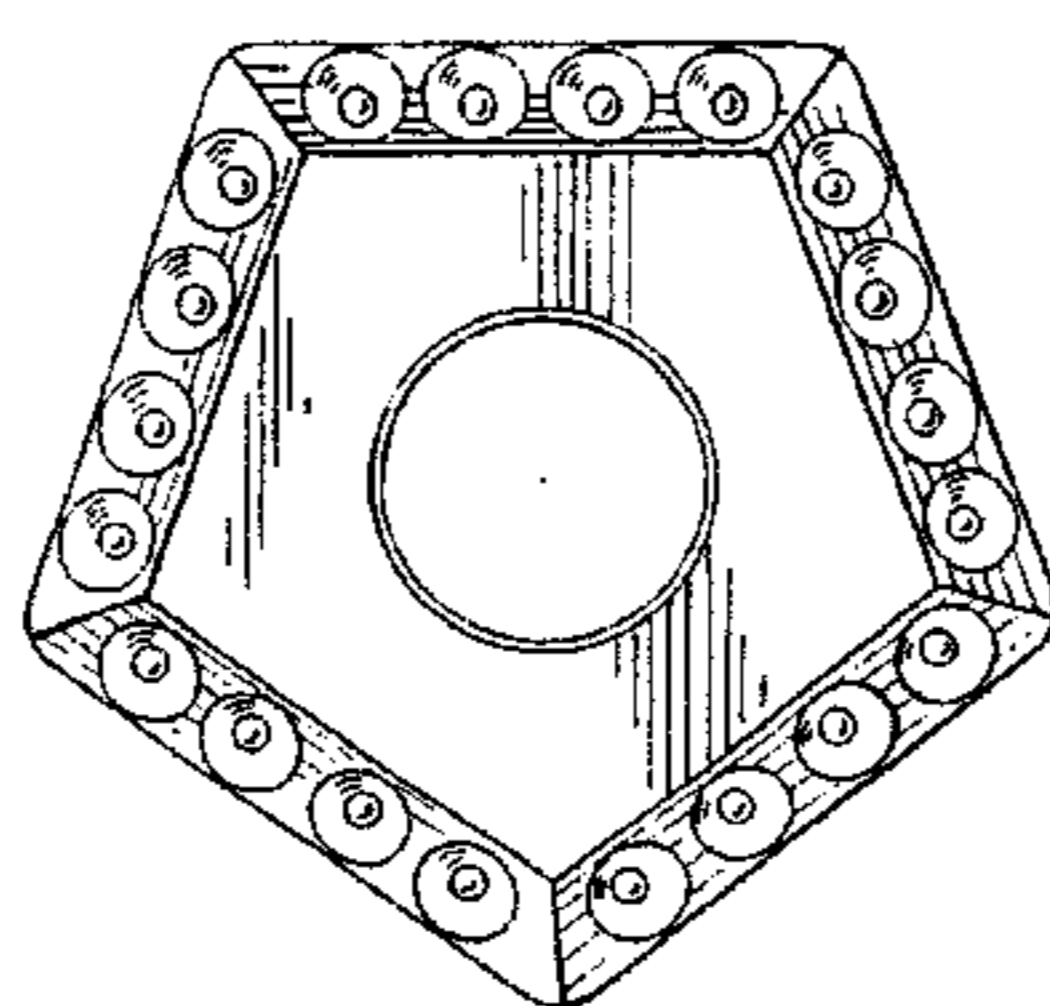
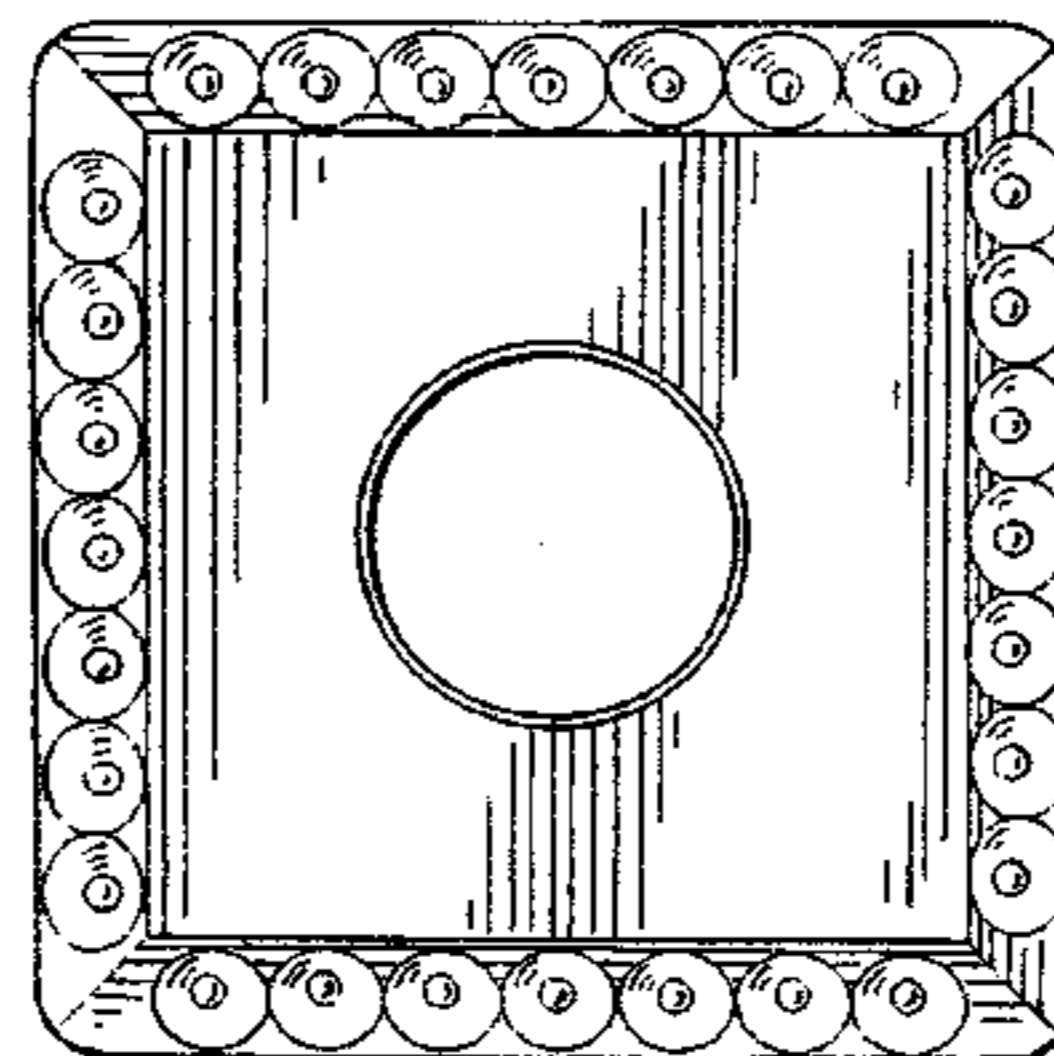
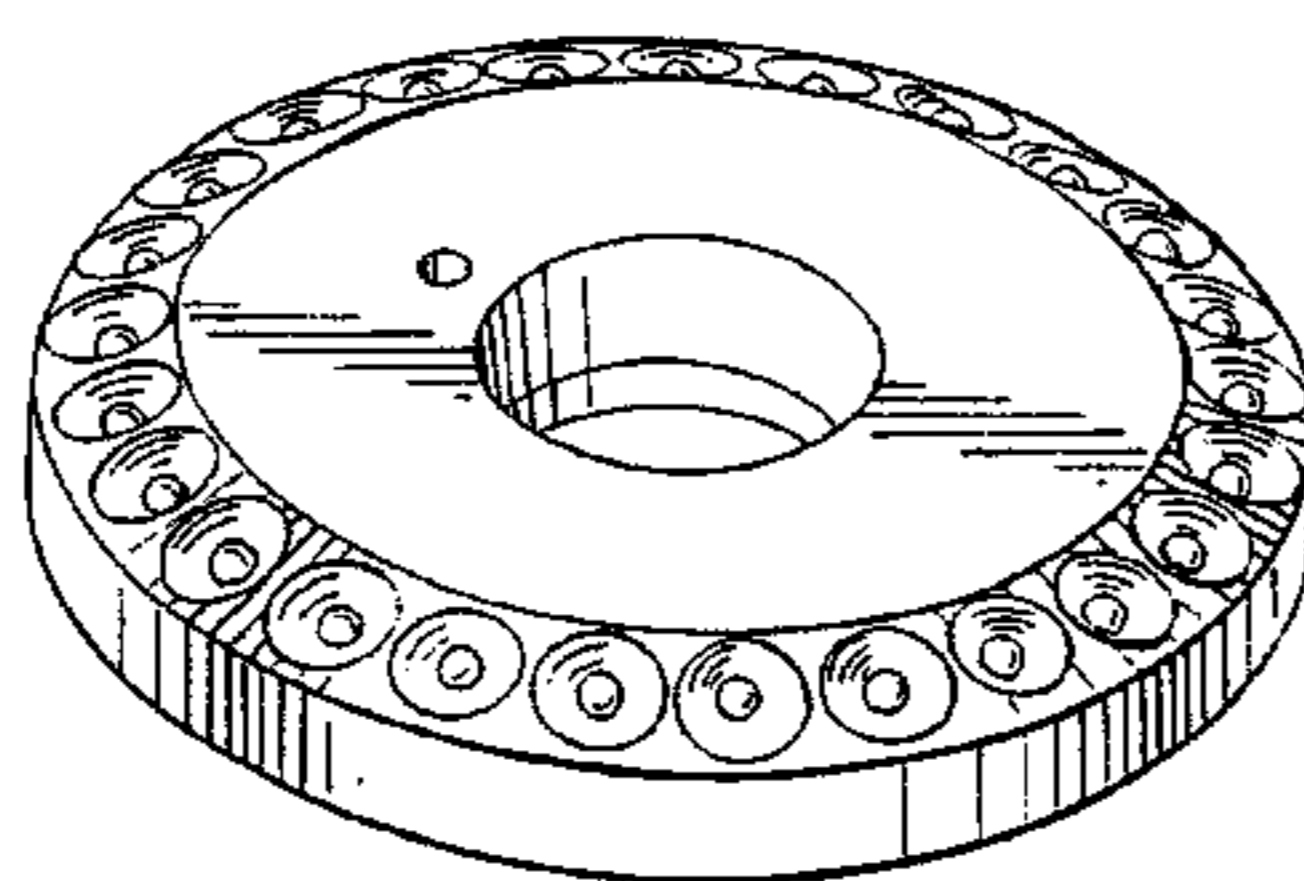


FIG. 1

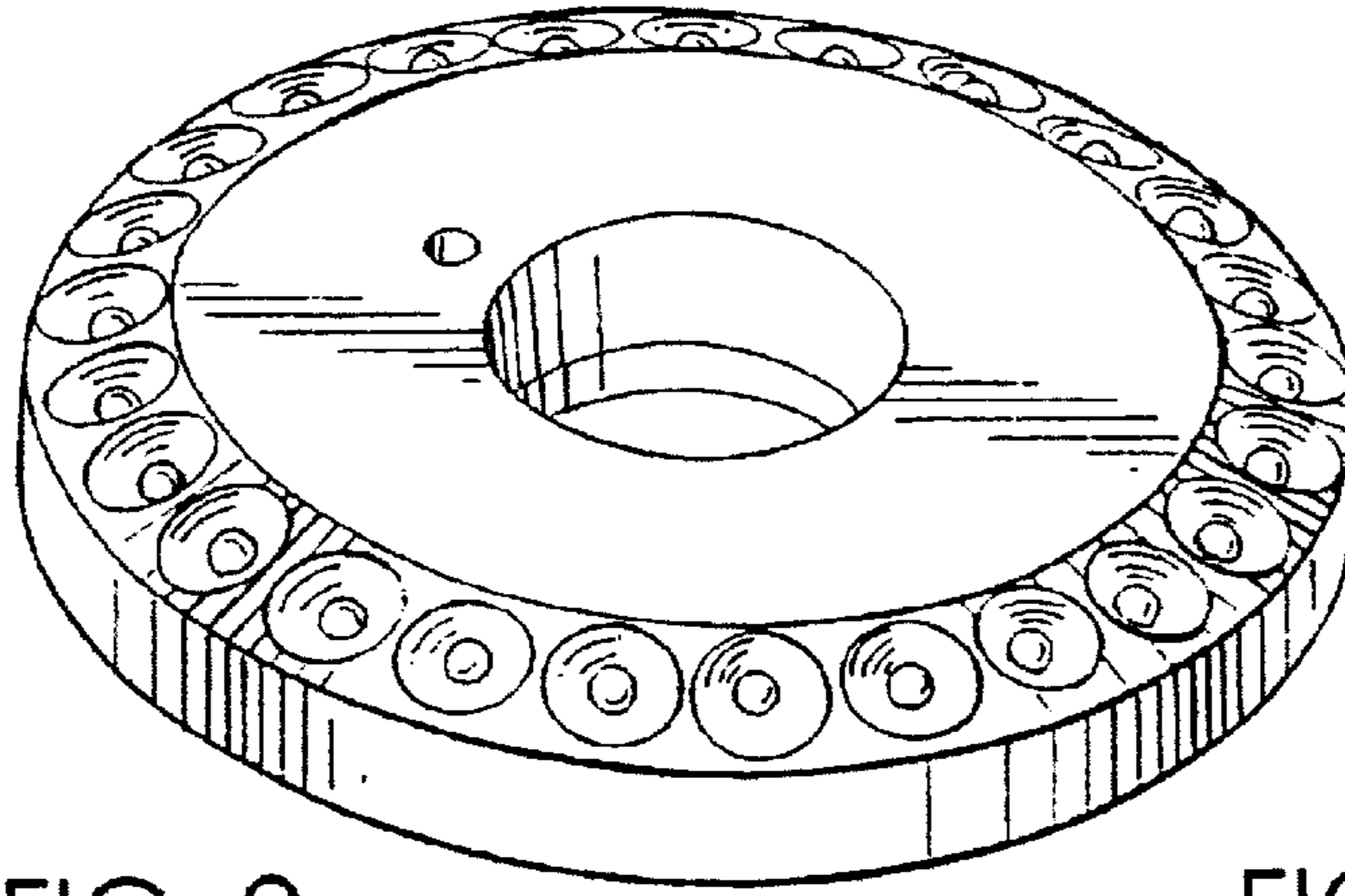


FIG. 2

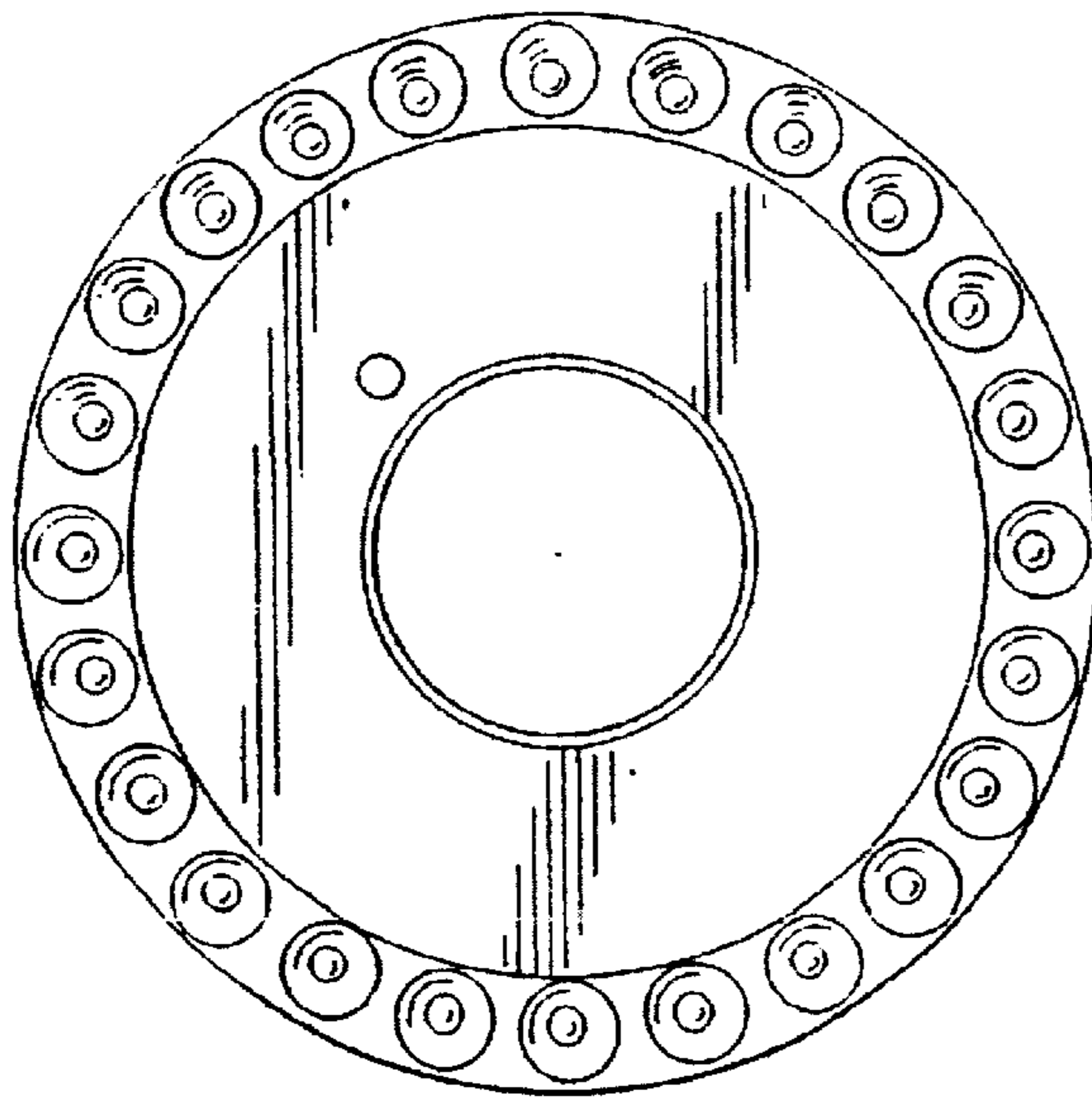


FIG. 3

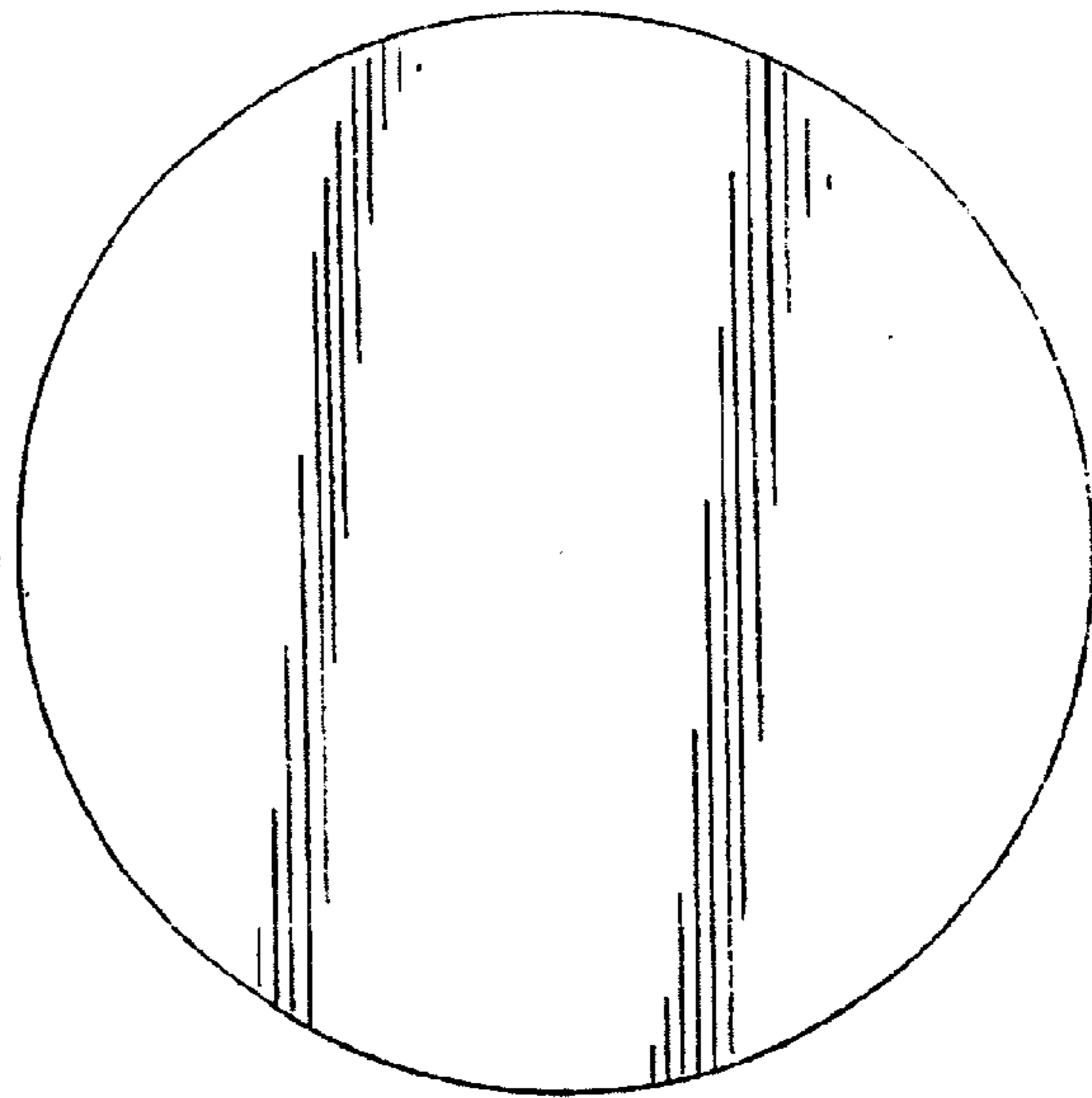


FIG. 4

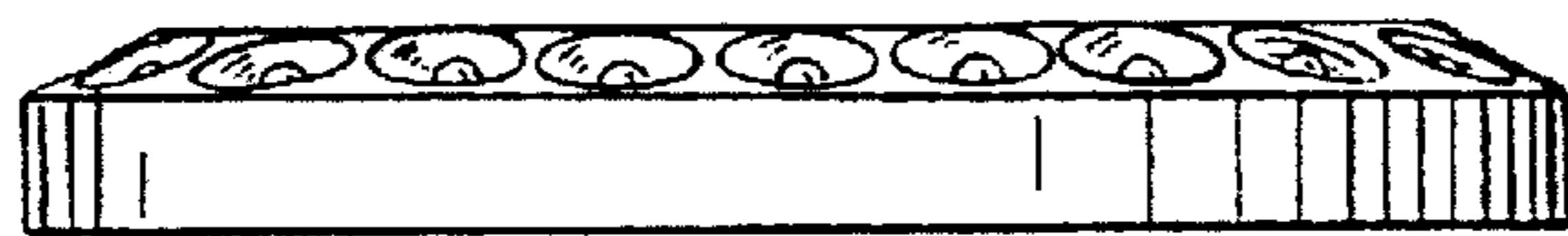


FIG. 5

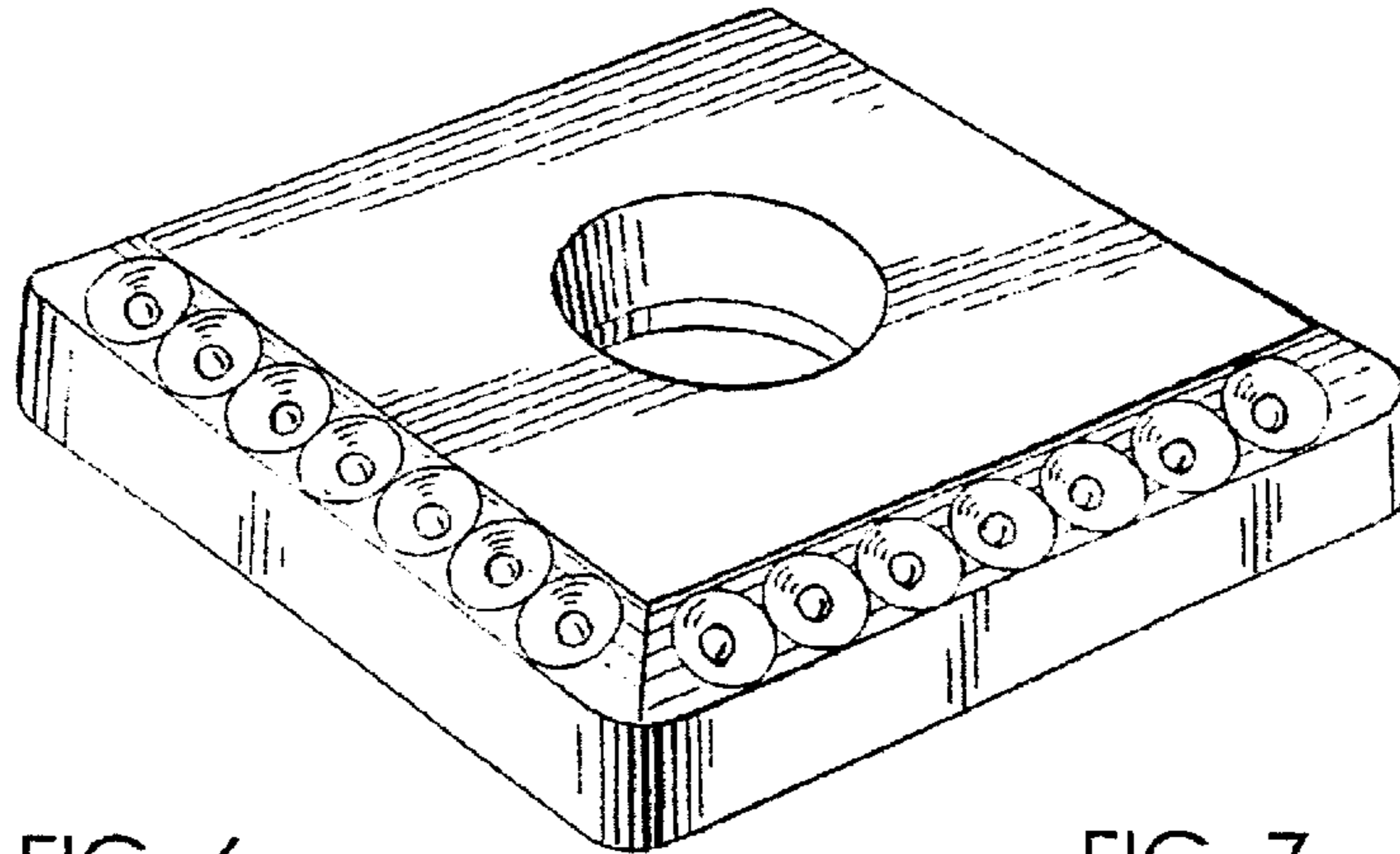


FIG. 6

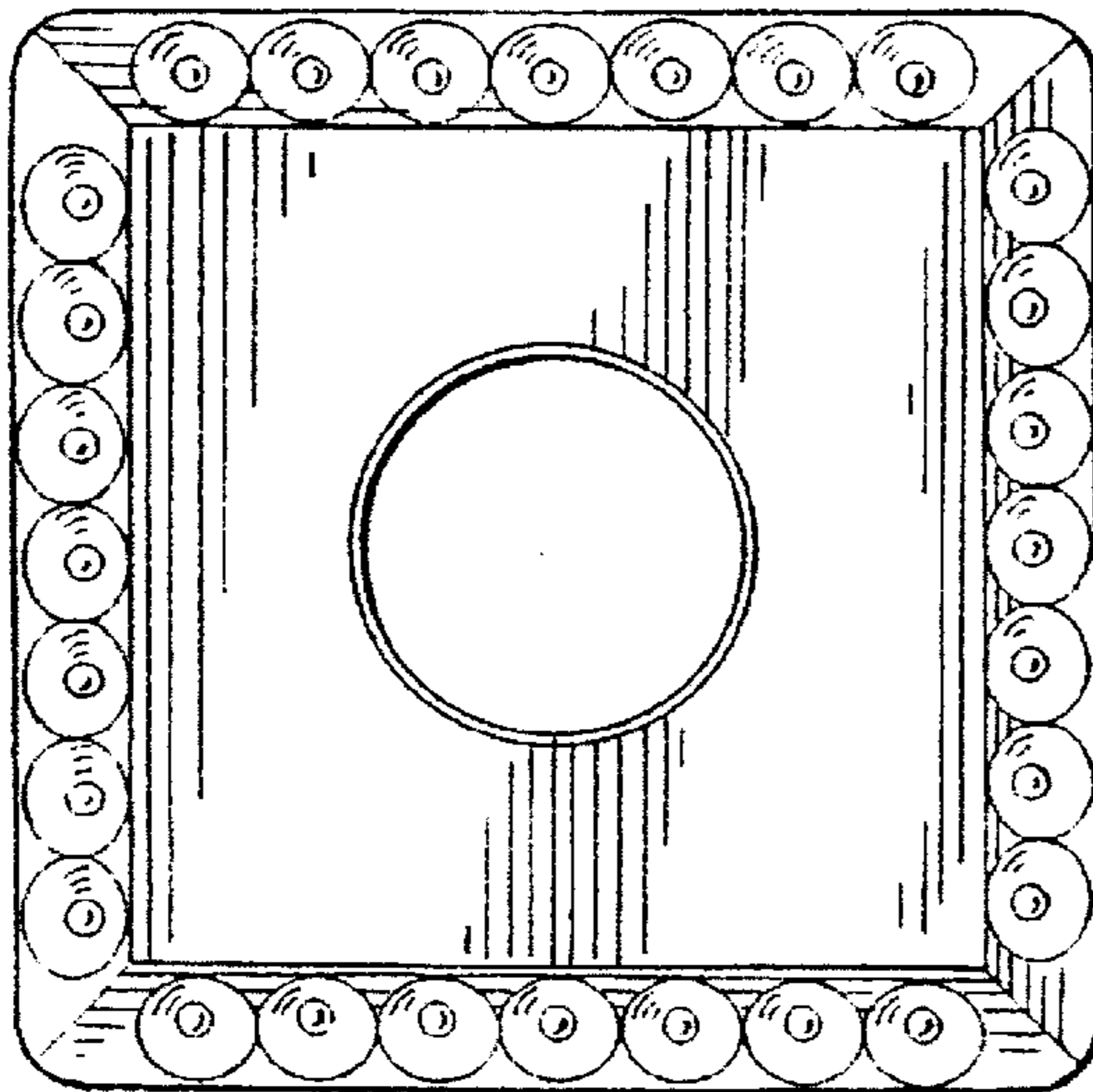


FIG. 7

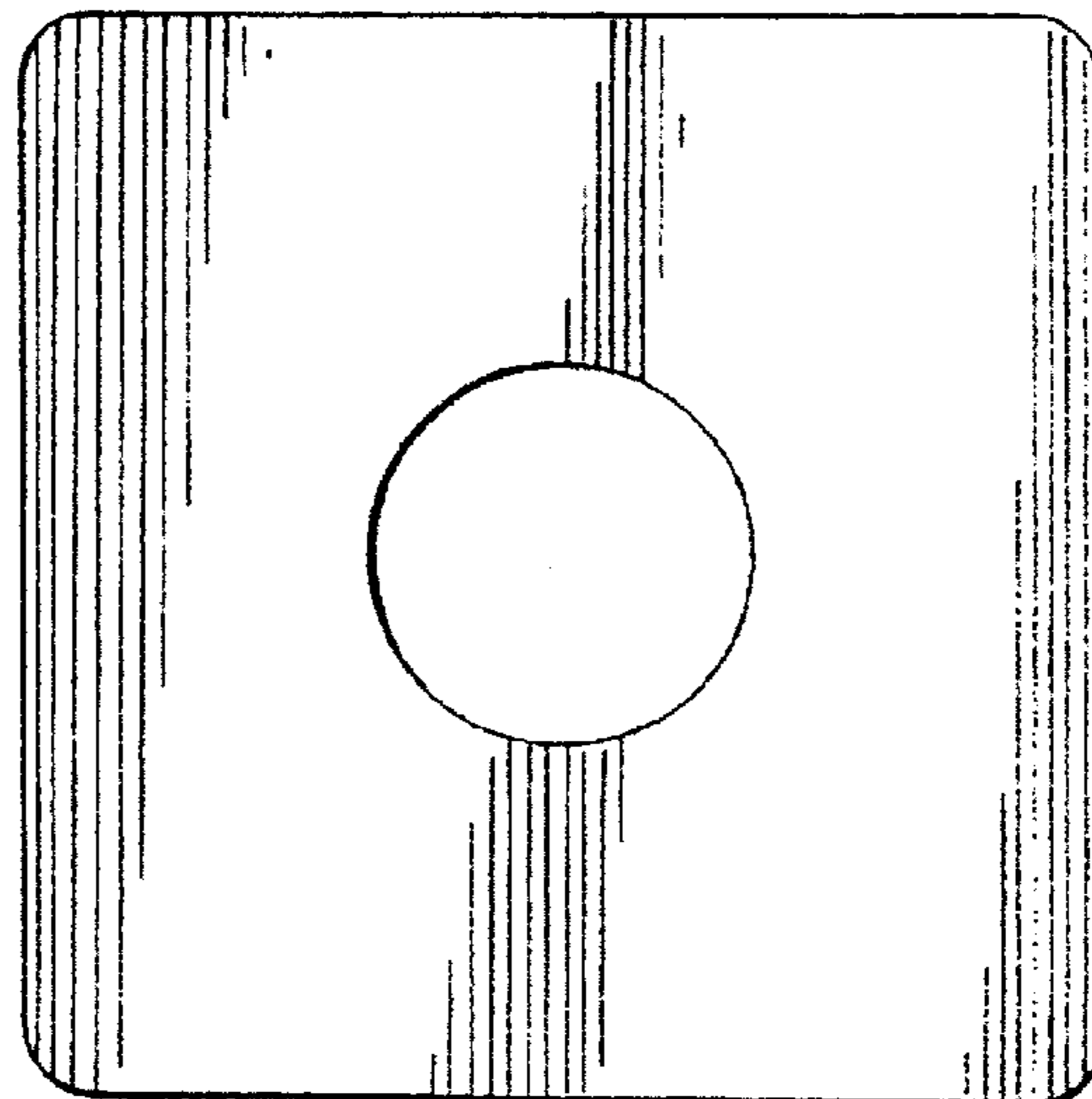


FIG. 8

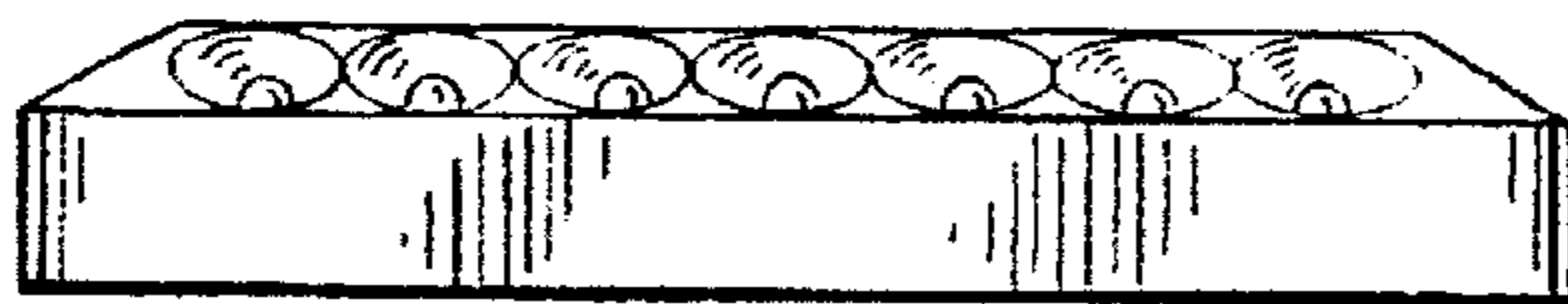


FIG. 9

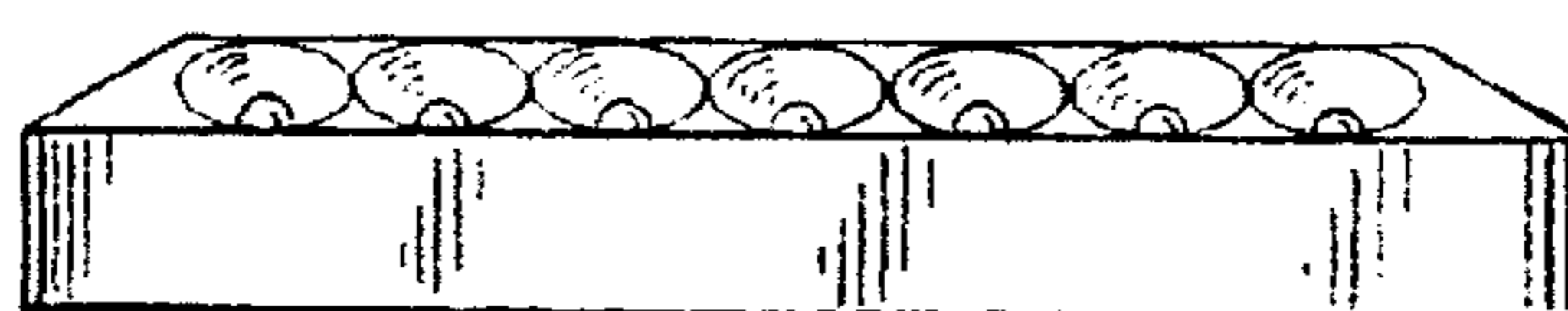


FIG. 10

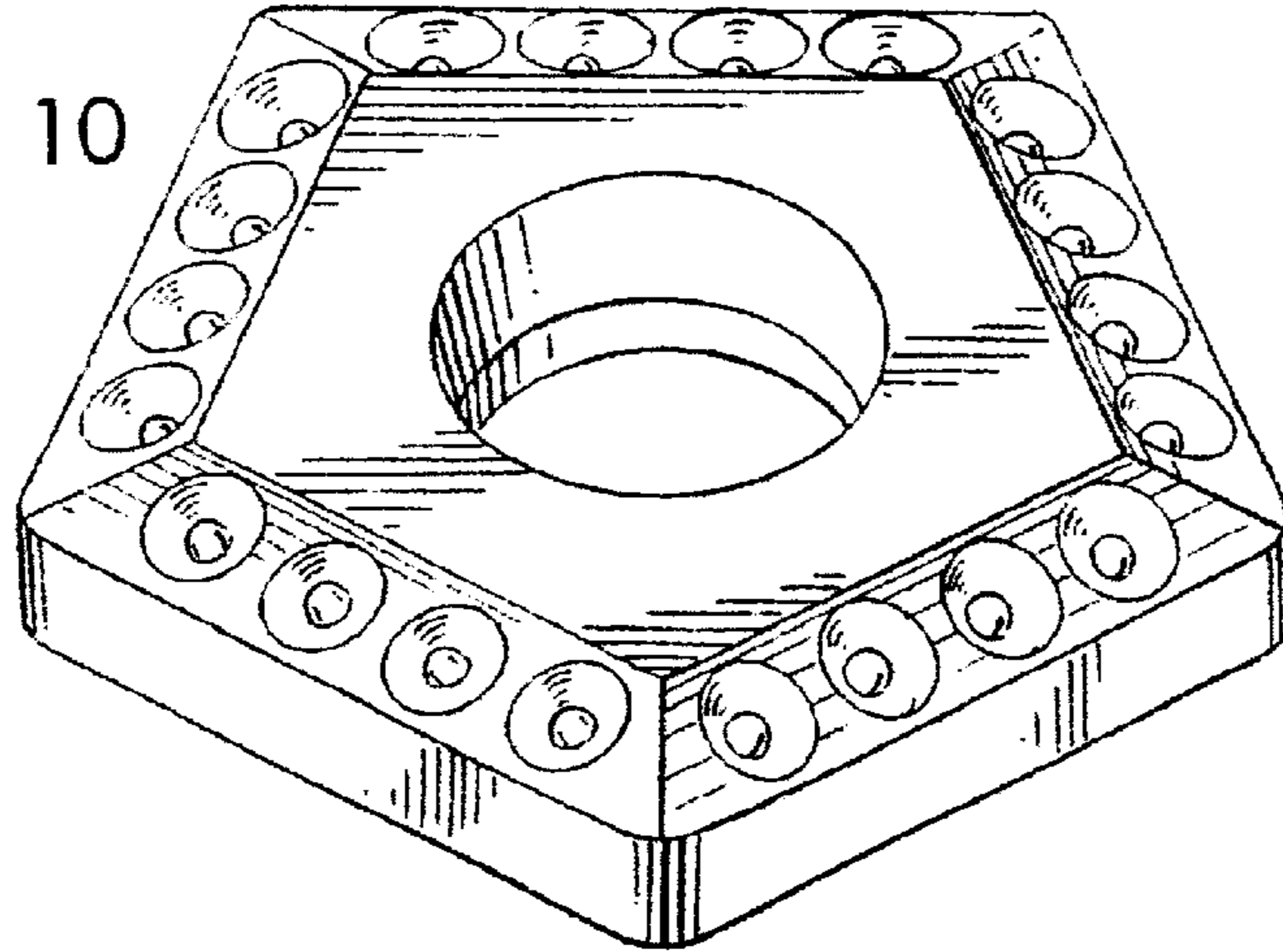


FIG. 11

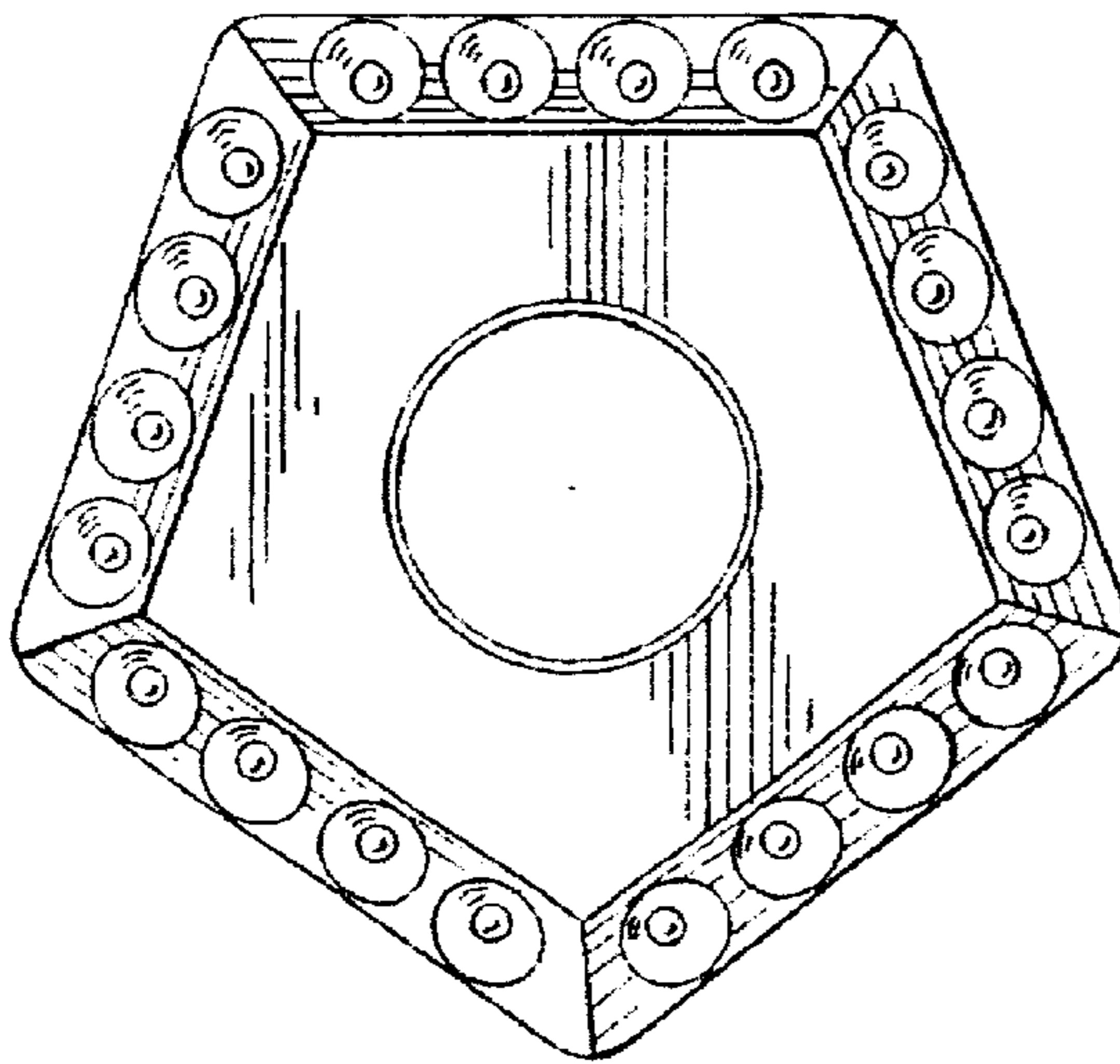


FIG. 12

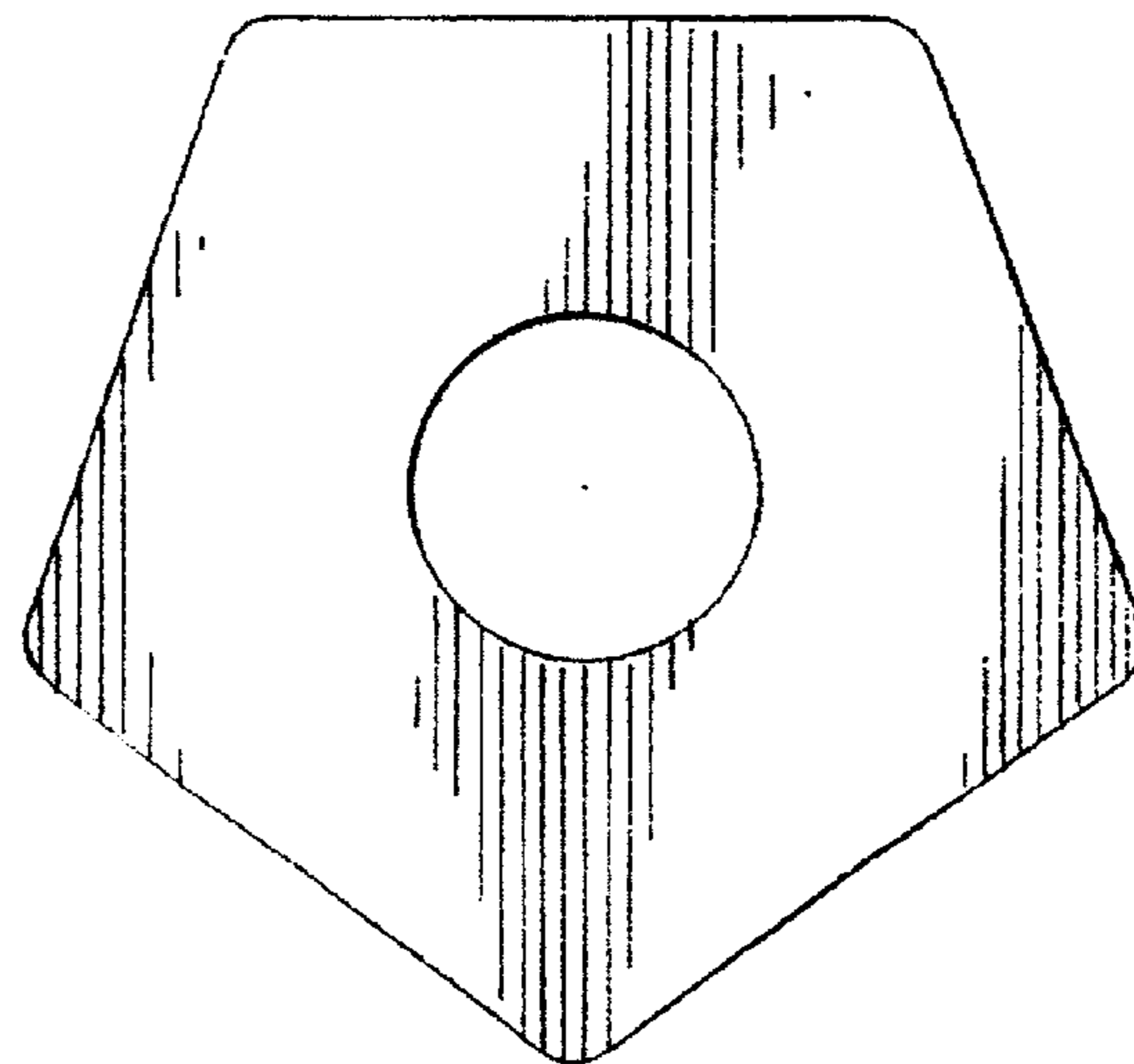


FIG. 13



FIG. 14



FIG. 15

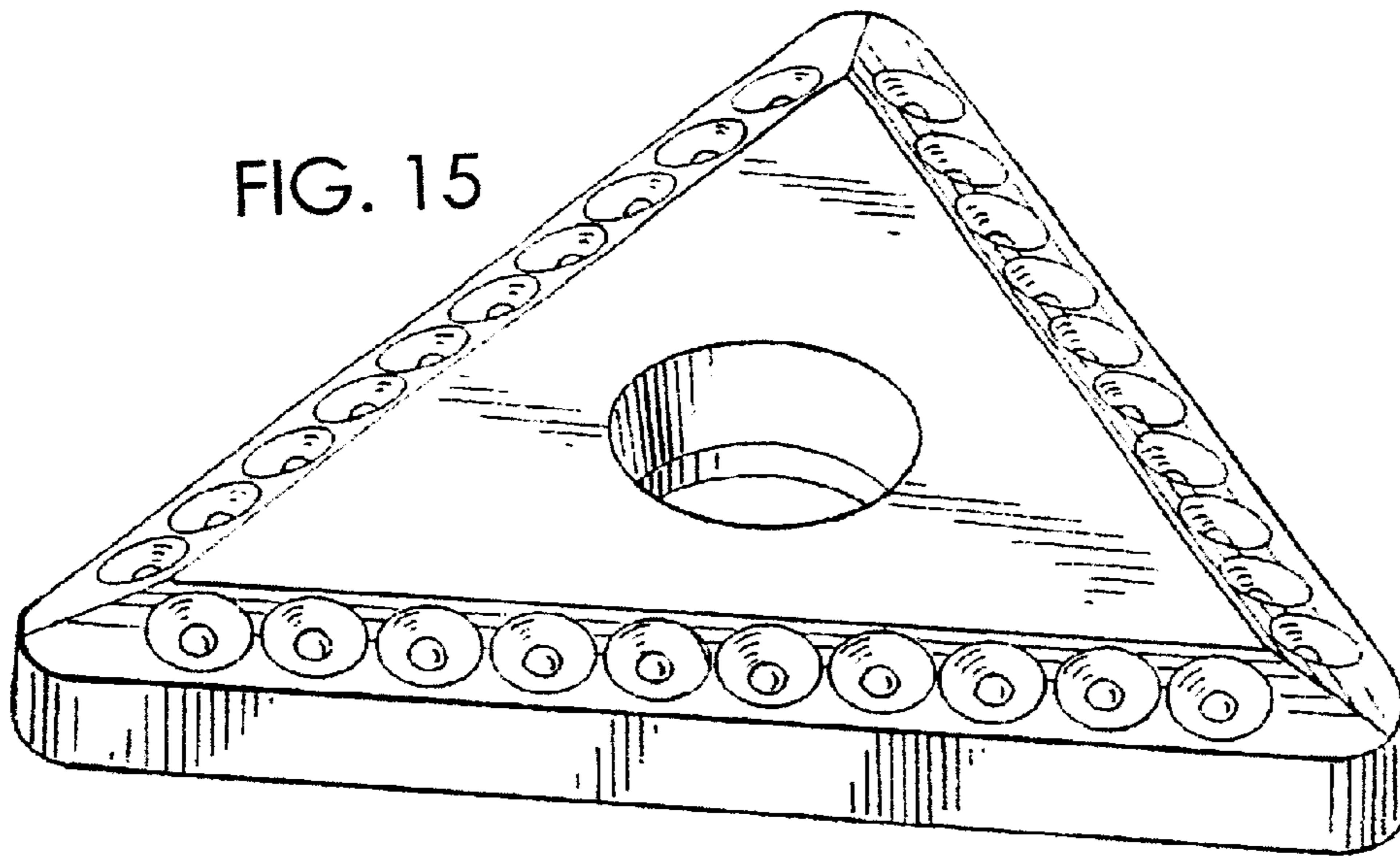


FIG. 16

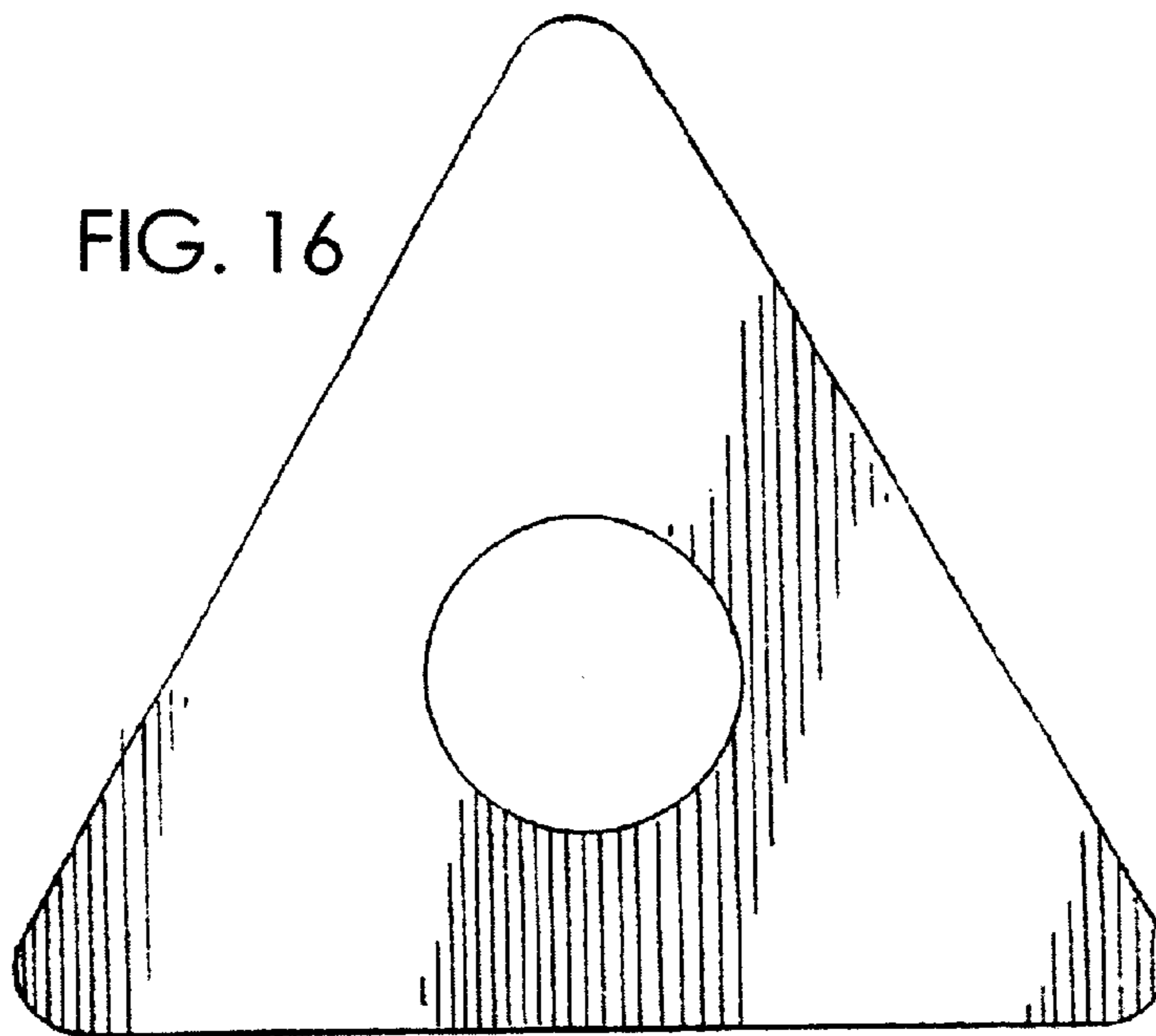


FIG. 17

