



US00D540484S

(12) **United States Design Patent**
Bayat et al.

(10) **Patent No.:** **US D540,484 S**
(45) **Date of Patent:** **** Apr. 10, 2007**

(54) **HAND-HELD LED LAMP WITH FLOOD AND SPOT LIGHTING**

(75) Inventors: **Bijan Bayat**, Plano, TX (US); **James Newton**, Arlington, TX (US); **Gordon L. Treichler**, Wylie, TX (US); **Max Alan Probasco**, Plano, TX (US)

(73) Assignee: **Bayco Products, Ltd.**, Wylie, TX (US)

(**) Term: **14 Years**

(21) Appl. No.: **29/259,746**

(22) Filed: **May 15, 2006**

(51) **LOC (8) Cl.** **26-02**

(52) **U.S. Cl.** **D26/42**

(58) **Field of Classification Search** D26/37-50;
362/157, 158, 171-174, 183-208

See application file for complete search history.

(56) **References Cited**

U.S. PATENT DOCUMENTS

D441,888 S	*	5/2001	Haneda et al.	D26/42
D505,217 S	*	5/2005	Bayat et al.	D26/42
D526,077 S	*	8/2006	Leen	D26/42
D530,843 S	*	10/2006	Yamamoto	D26/42

* cited by examiner

Primary Examiner—Marcus A. Jackson
(74) *Attorney, Agent, or Firm*—Whitaker, Chalk, Swindle & Sawyer, LLP; Stephen S. Mosher

(57) **CLAIM**

The ornamental design for a hand-held LED lamp with flood and spot lighting, as shown and described.

DESCRIPTION

FIG. 1 is a perspective view of a hand-held LED lamp with flood and spot lighting;

FIG. 2 is a front view of the hand-held LED lamp of FIG. 1;

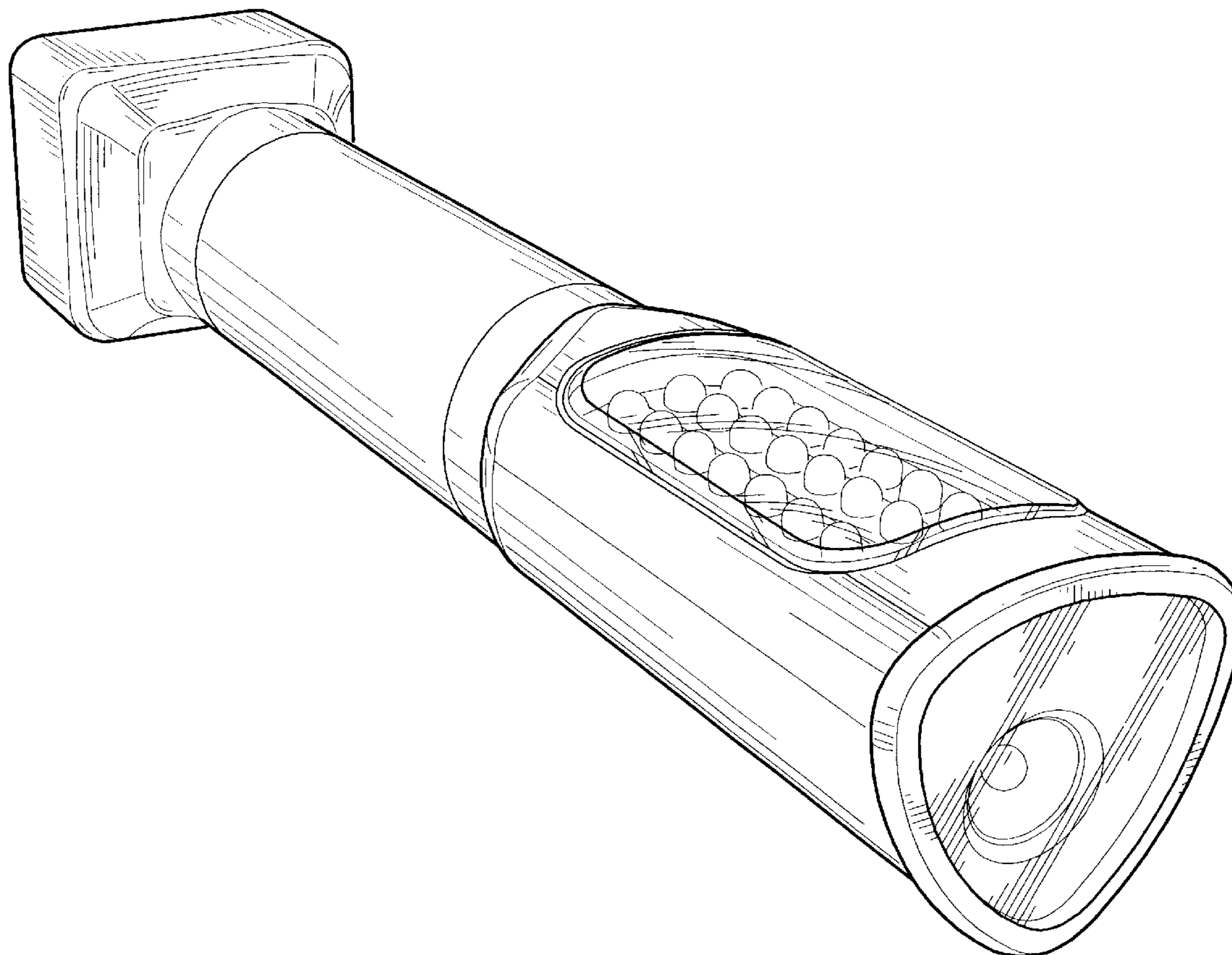
FIG. 3 is a first side view of the hand-held LED lamp of FIG. 1, which is a mirror image of the second side view of the device;

FIG. 4 is a rear side view of the hand-held LED lamp of FIG. 1;

FIG. 5 is a top view of the hand-held LED lamp of FIG. 1; and,

FIG. 6 is a bottom view of the hand-held LED lamp of FIG. 1.

1 Claim, 3 Drawing Sheets



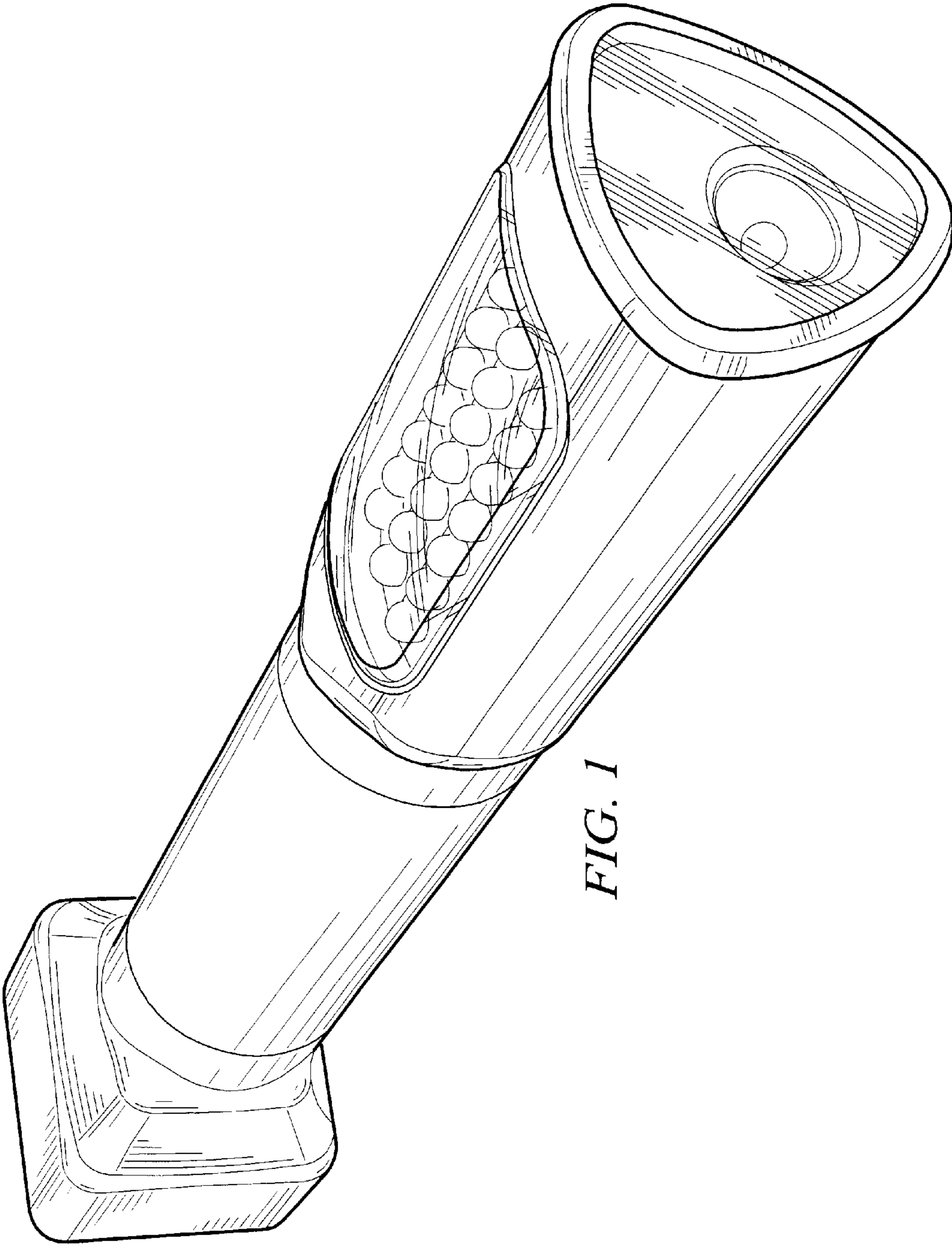


FIG. 1

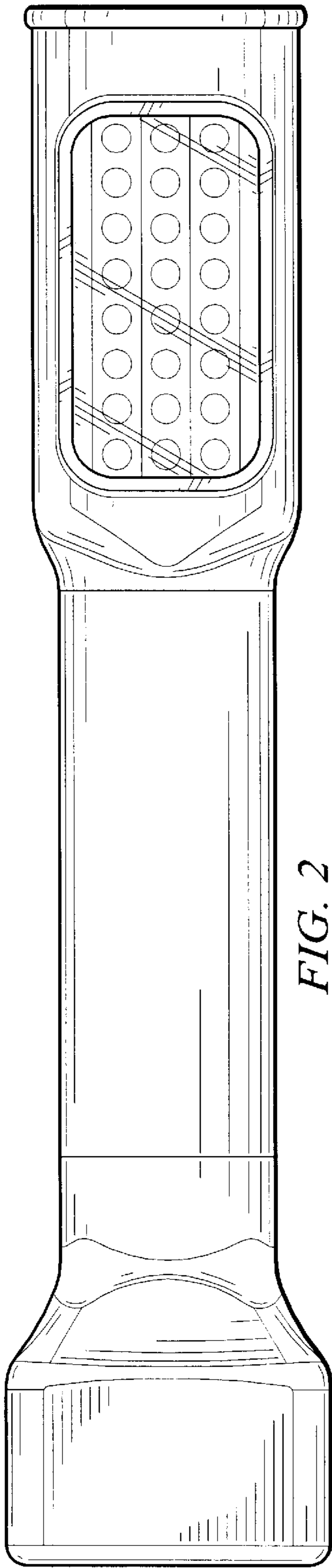


FIG. 2

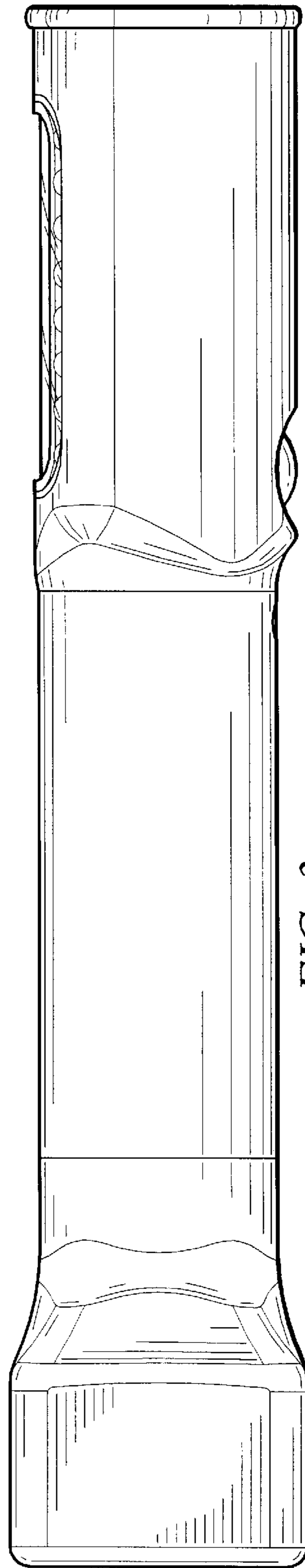


FIG. 3

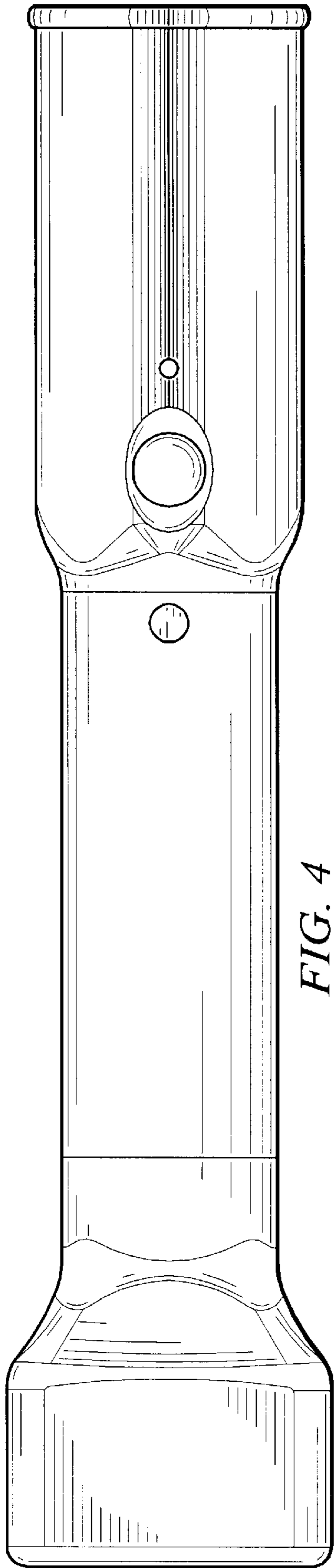


FIG. 4



FIG. 6

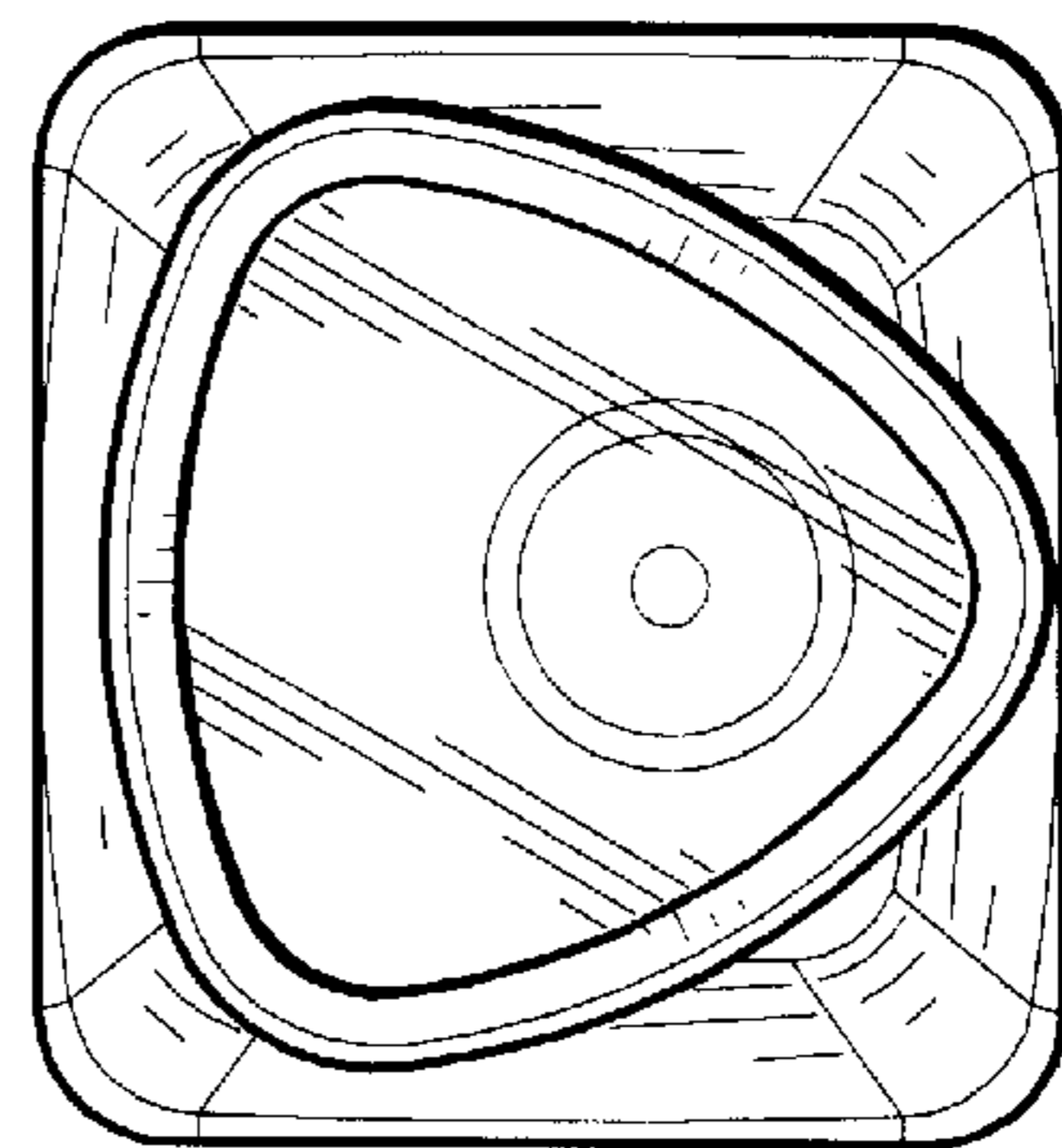


FIG. 5