



US00D540482S

(12) **United States Design Patent**  
**Miwa et al.**

(10) **Patent No.:** **US D540,482 S**  
(45) **Date of Patent:** **\*\* Apr. 10, 2007**

(54) **HEADLIGHT CASE OF A FOUR WHEEL VEHICLE**

D486,254 S \* 2/2004 Kato et al. .... D26/28  
D488,574 S \* 4/2004 Eto ..... D26/28  
D492,046 S \* 6/2004 Nakamura et al. .... D26/28  
D529,208 S \* 9/2006 Ikeda ..... D26/28

(75) Inventors: **Koji Miwa**, Wako (JP); **Takao Mikami**, Wako (JP)

FOREIGN PATENT DOCUMENTS

(73) Assignee: **Honda Motor Co., Ltd.**, Tokyo (JP)

JP D1179663 7/2003

(\*\*) Term: **14 Years**

\* cited by examiner

(21) Appl. No.: **29/259,860**

*Primary Examiner*—Marcus A. Jackson

(22) Filed: **May 17, 2006**

(74) *Attorney, Agent, or Firm*—Westerman, Hattori, Daniels & Adrian, LLP.

(30) **Foreign Application Priority Data**

(57) **CLAIM**

Nov. 22, 2005 (JP) ..... 2005-034280

What is claimed is; the ornamental design for, a headlight case of a four wheel vehicle, as shown and described.

(51) **LOC (8) Cl.** ..... **26-06**

**DESCRIPTION**

(52) **U.S. Cl.** ..... **D26/28**

(58) **Field of Classification Search** ..... D26/28-36;  
362/459-468, 475-478, 485-487  
See application file for complete search history.

FIG. 1 is a front elevation view of a headlight case of a four wheel vehicle, showing our new design;  
FIG. 2 is a top plan view thereof;  
FIG. 3 is a bottom plan view thereof;  
FIG. 4 is a right side elevation view thereof;  
FIG. 5 is a left side elevation view thereof; and,  
FIG. 6 is a perspective view thereof.

(56) **References Cited**

U.S. PATENT DOCUMENTS

D472,656 S \* 4/2003 Pfeiffer et al. .... D26/28  
D481,144 S \* 10/2003 Takei ..... D26/28

**1 Claim, 6 Drawing Sheets**

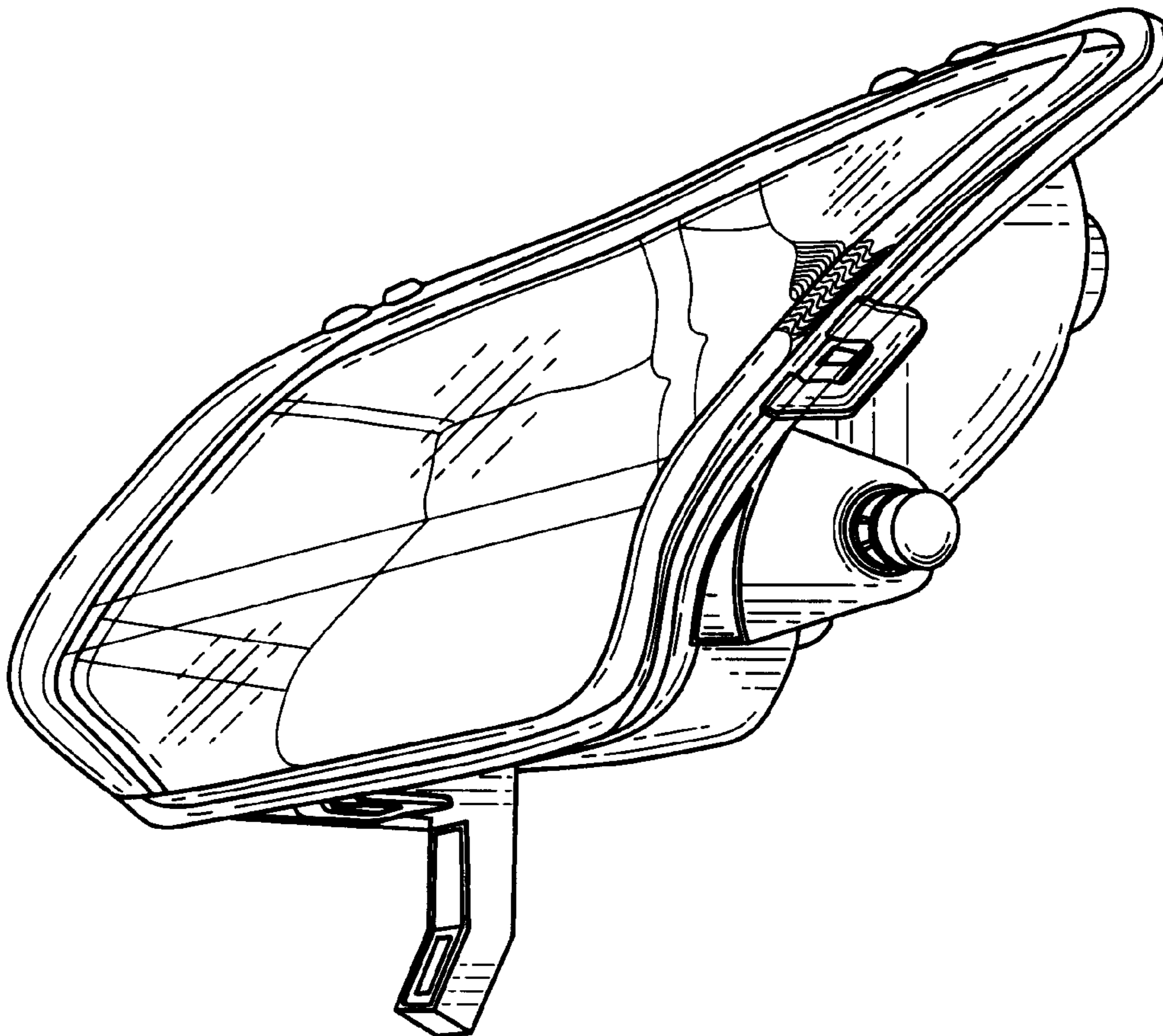


Fig. 1

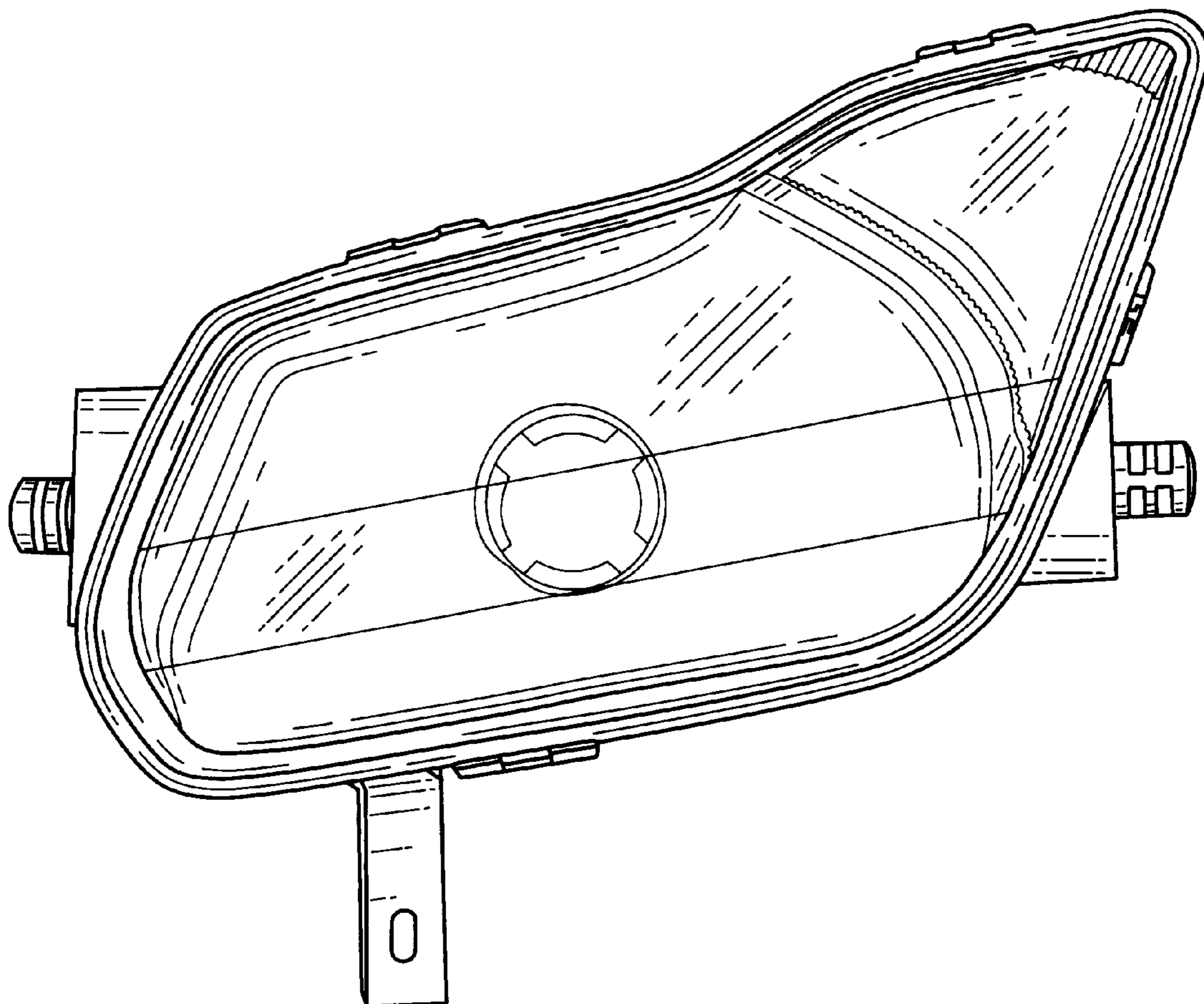


Fig.2

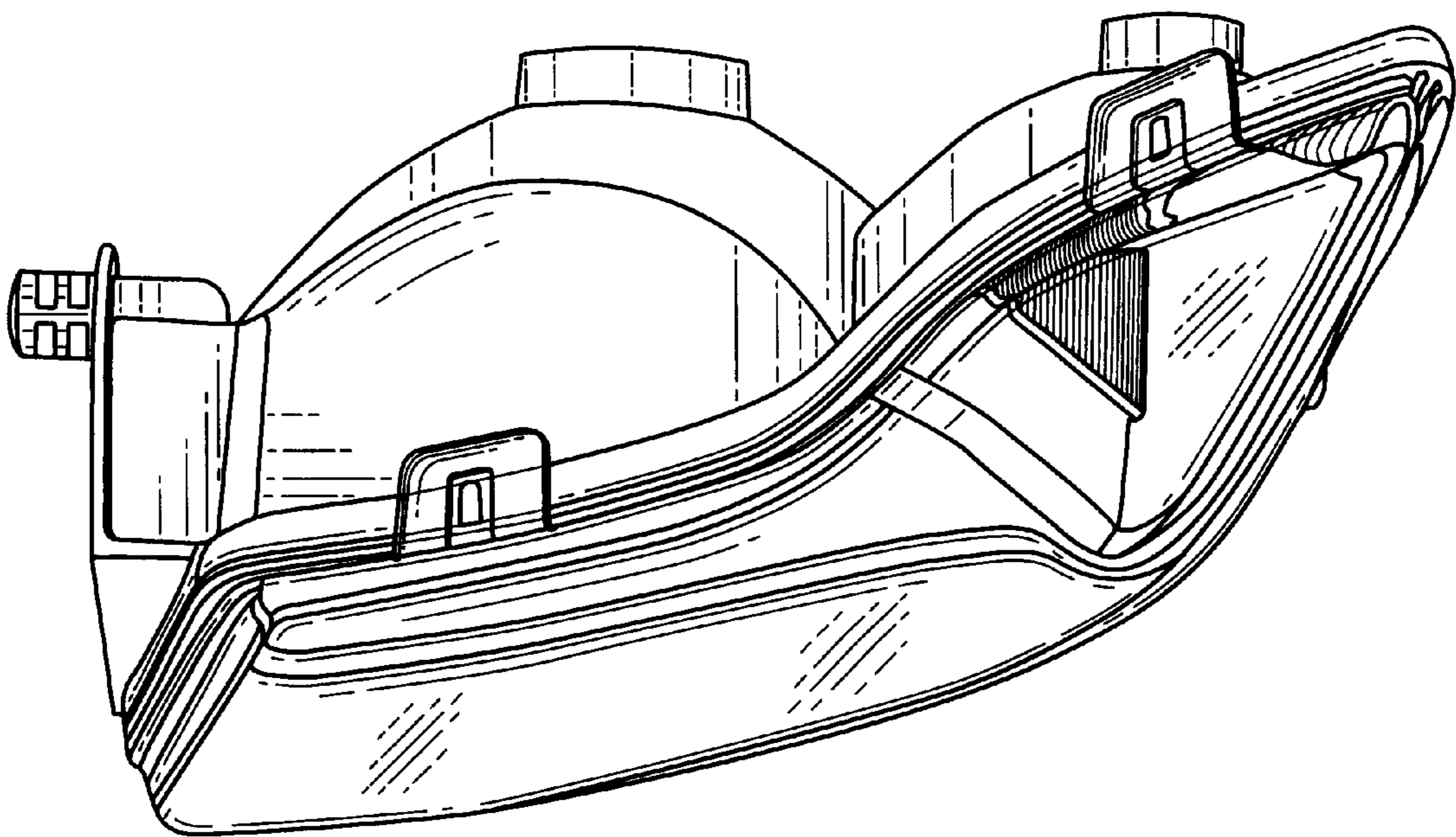


Fig.3

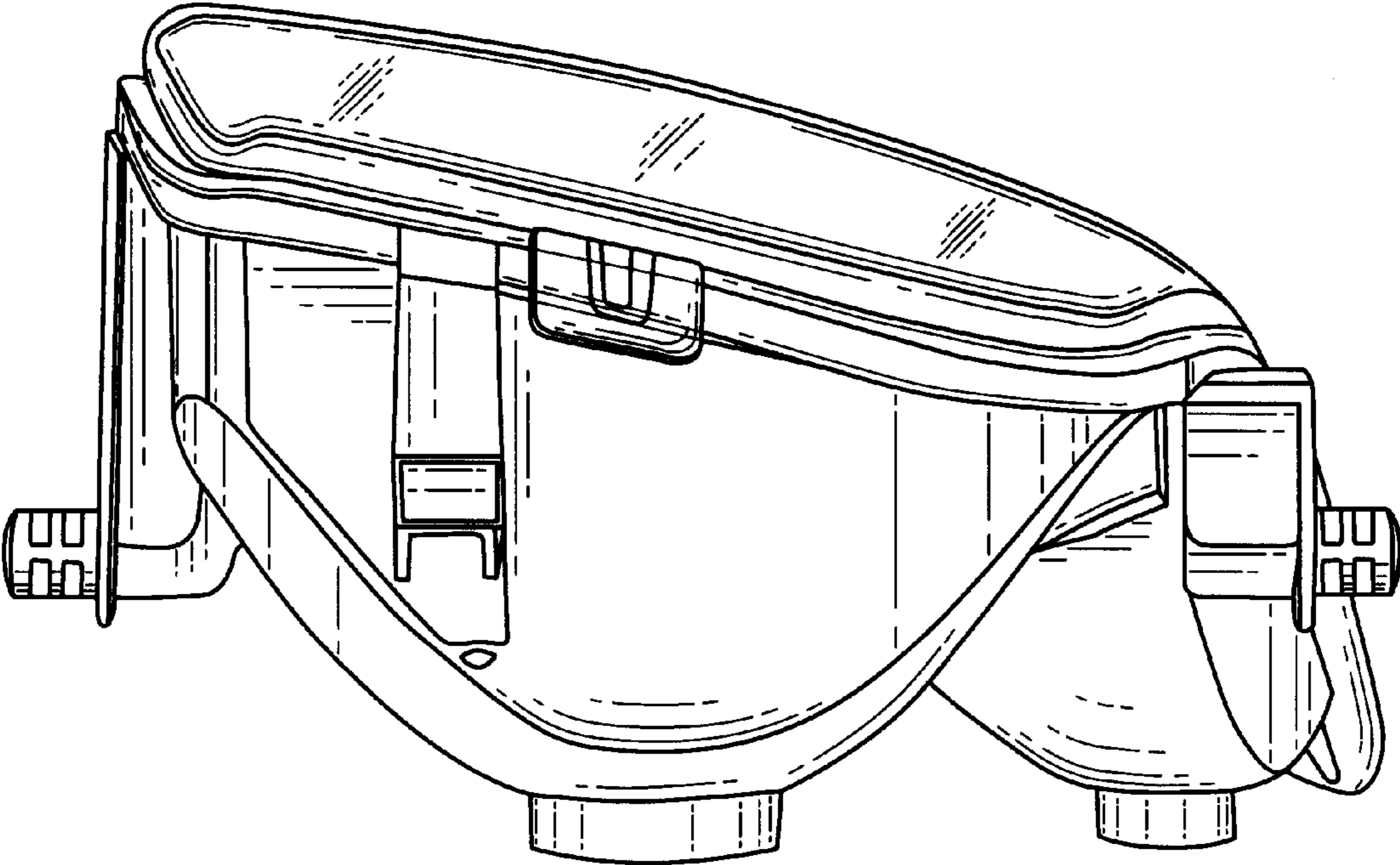


Fig.4

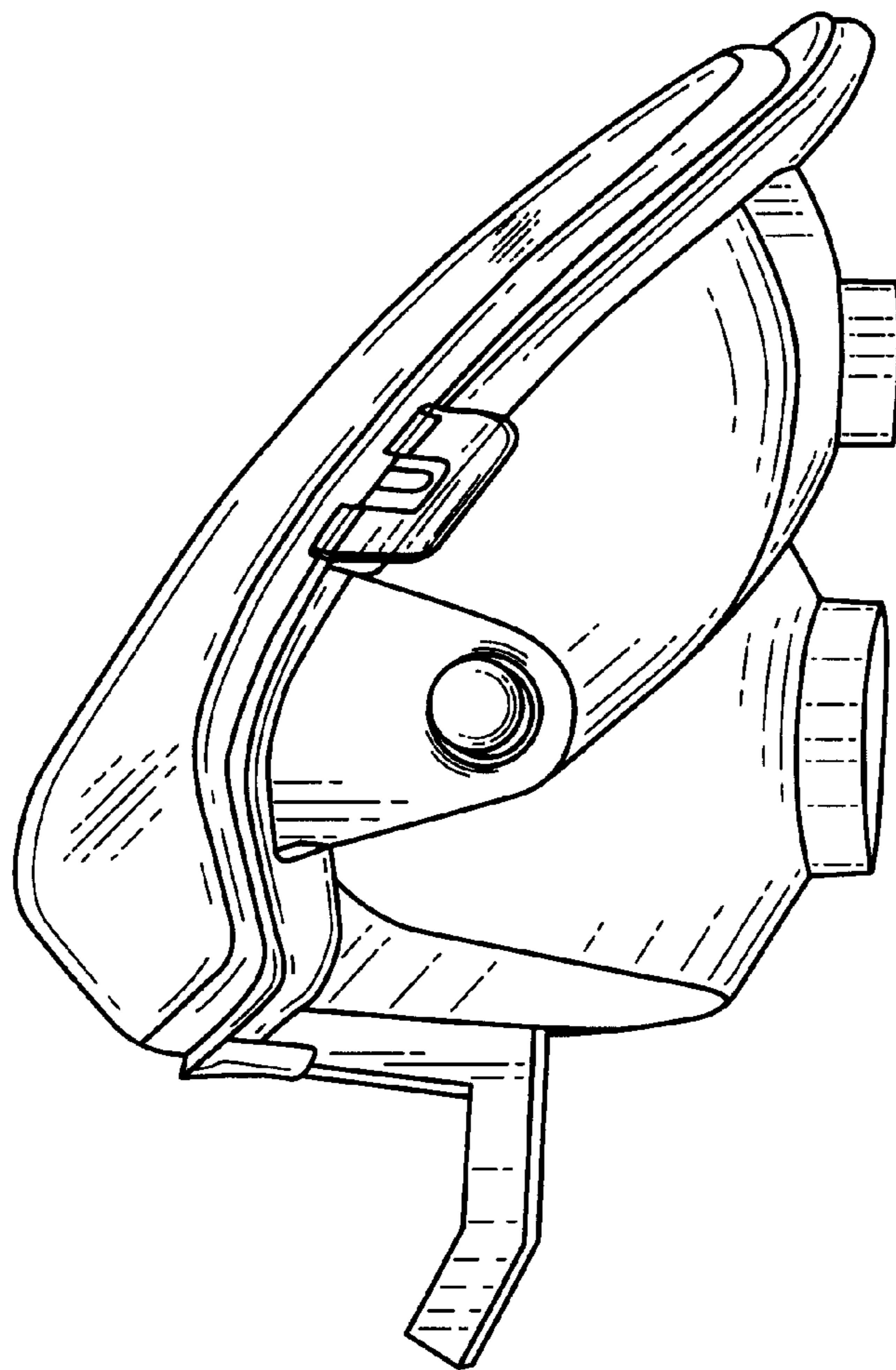


Fig.5

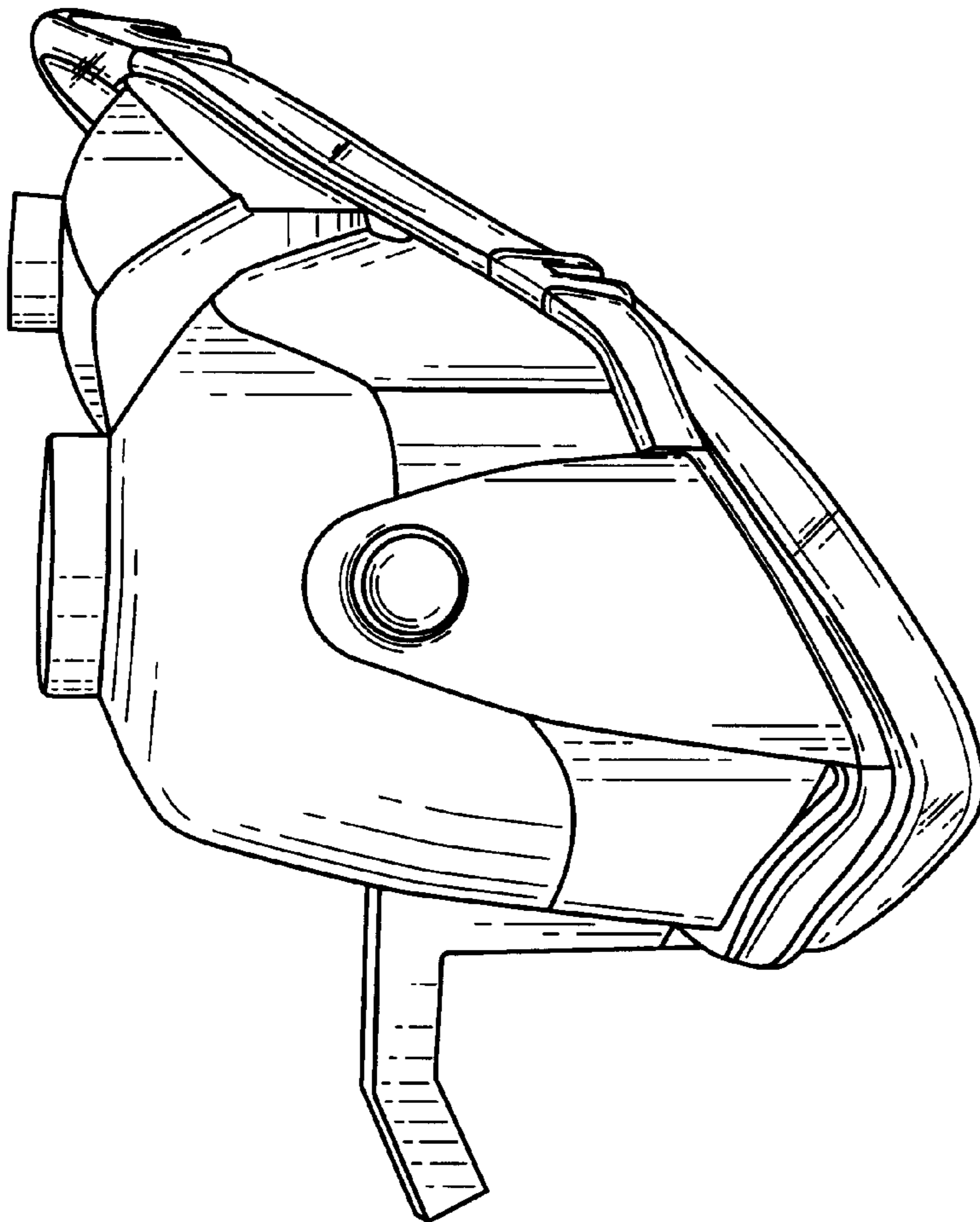


Fig.6

