



US00D540481S

(12) **United States Design Patent**
Okuda

(10) **Patent No.:** **US D540,481 S**

(45) **Date of Patent:** **** Apr. 10, 2007**

(54) **HEADLAMP FOR A BICYCLE**

D498,550 S * 11/2004 Chen D26/28
D514,239 S * 1/2006 Okuda D26/28

(75) Inventor: **Yoji Okuda**, Tondabayashi (JP)

(73) Assignee: **Cateye Co., Ltd.**, Osaka (JP)

(**) Term: **14 Years**

(21) Appl. No.: **29/234,371**

(22) Filed: **Jul. 15, 2005**

(30) **Foreign Application Priority Data**

Apr. 4, 2005 (JP) 2005-010052

(51) **LOC (8) Cl.** **26-06**

(52) **U.S. Cl.** **D26/28**

(58) **Field of Classification Search** D26/28-36;
362/459-468, 475-478, 485-487
See application file for complete search history.

(56) **References Cited**

U.S. PATENT DOCUMENTS

D441,107 S * 4/2001 Okuda D26/28
D441,471 S * 5/2001 Nagano D26/28
D444,581 S * 7/2001 Okuda D26/28
D446,466 S * 8/2001 Chiu D10/114
D497,444 S * 10/2004 Okuda et al. D26/28

OTHER PUBLICATIONS

Exhibit No. HD16031097, 2005 Catalogue Dec. 28, 2004 p. 41.

* cited by examiner

Primary Examiner—Marcus A. Jackson

(74) *Attorney, Agent, or Firm*—Olson & Hierl, Ltd.

(57) **CLAIM**

The ornamental design for a headlamp for a bicycle, as shown.

DESCRIPTION

FIG. 1 is a front perspective view of a headlamp for a bicycle showing my new design;
FIG. 2 is a rear perspective view thereof;
FIG. 3 is a front view thereof;
FIG. 4 is a rear view thereof;
FIG. 5 is a top plan view thereof;
FIG. 6 is a bottom plan view thereof;
FIG. 7 is a left side view thereof; and,
FIG. 8 is a right side view thereof.

1 Claim, 3 Drawing Sheets

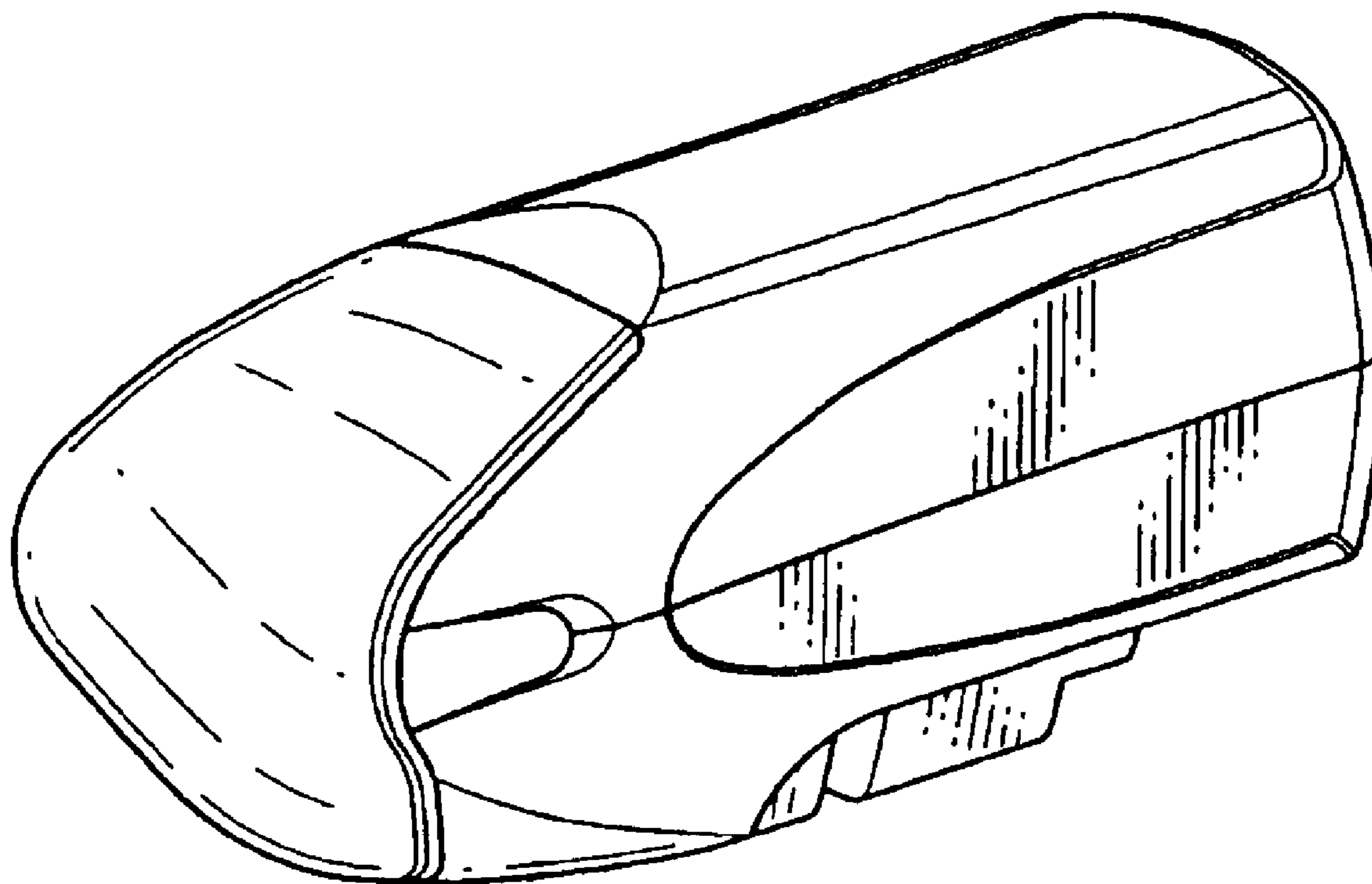


FIG. 1

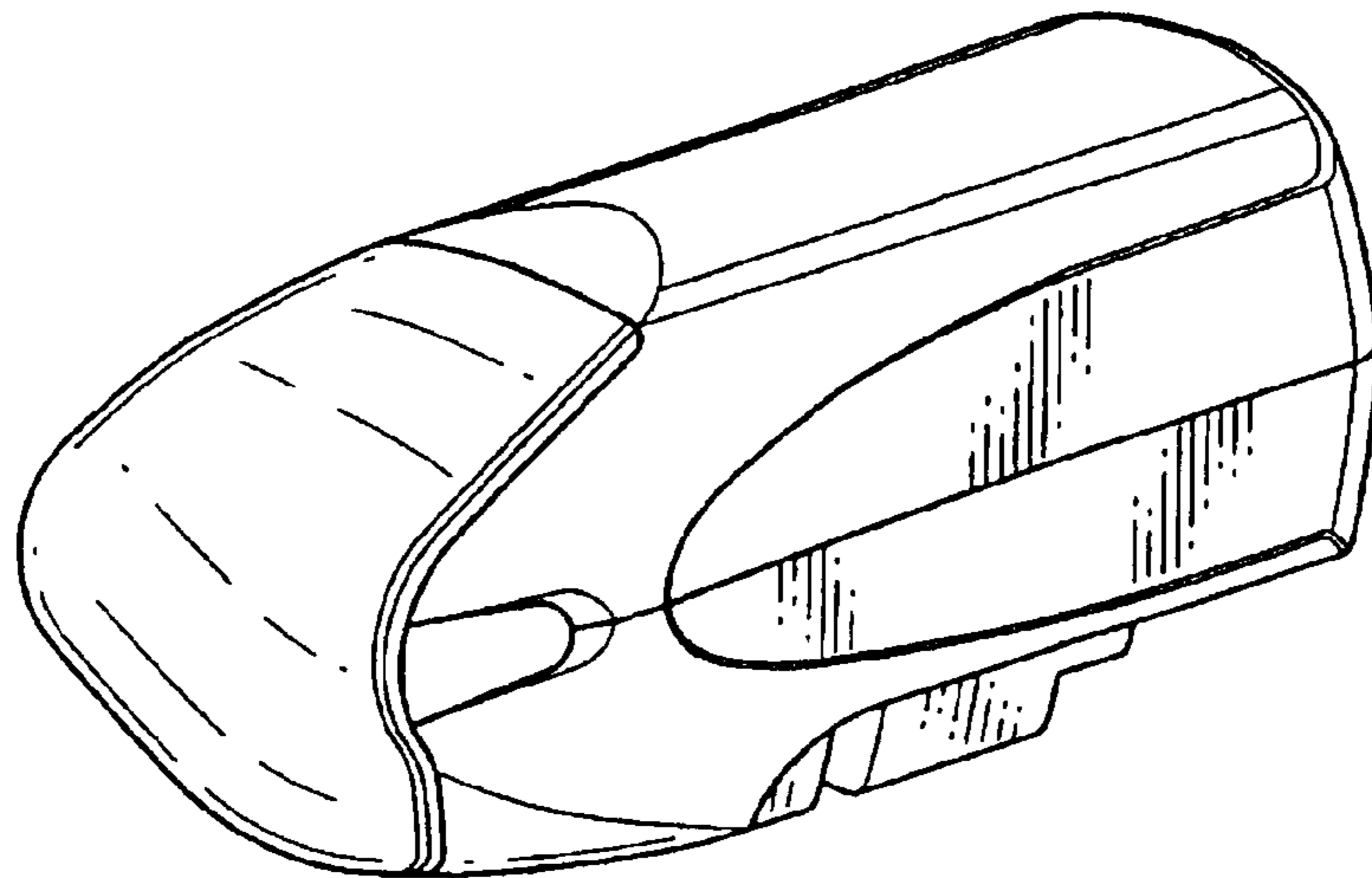


FIG. 2

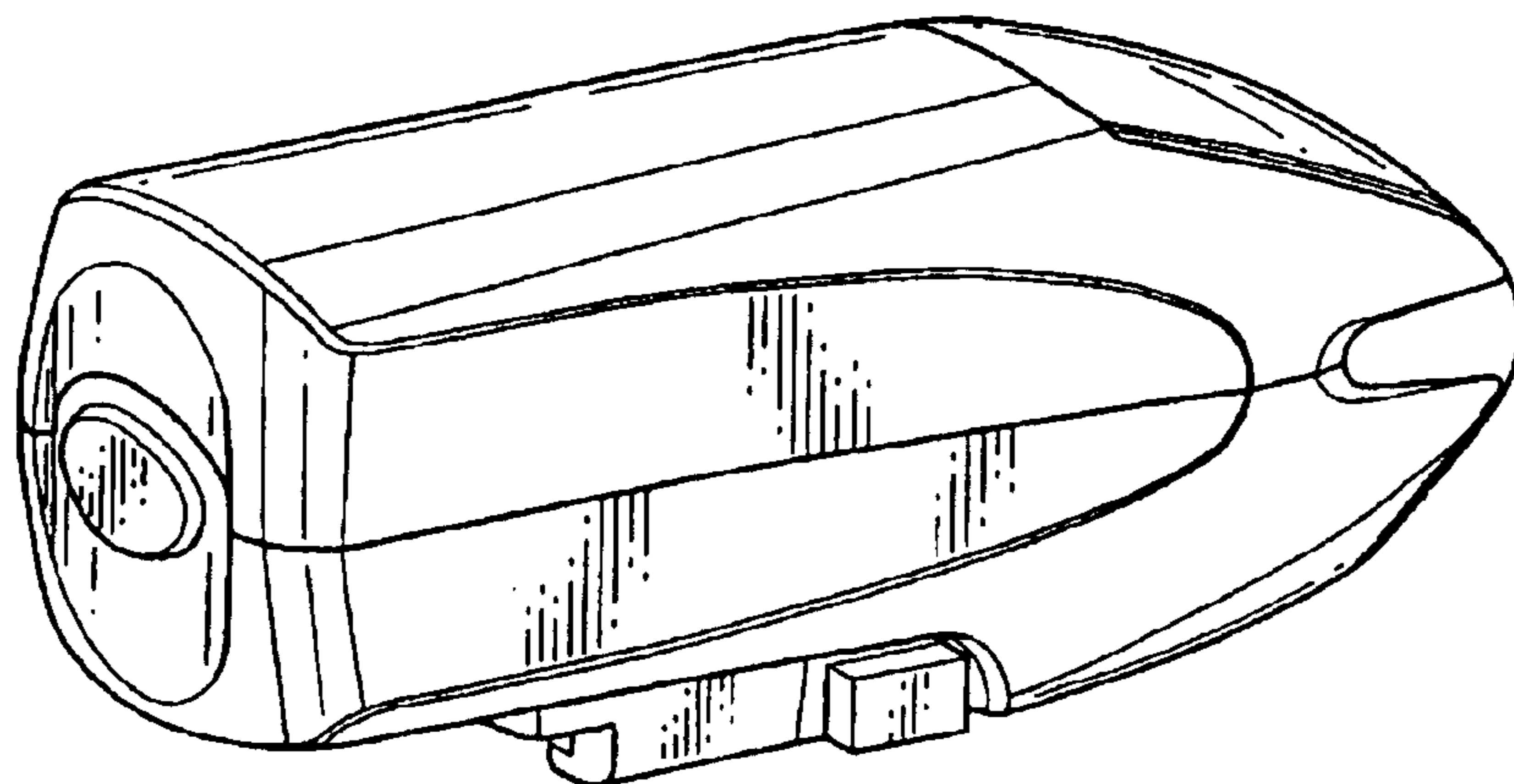


FIG. 3

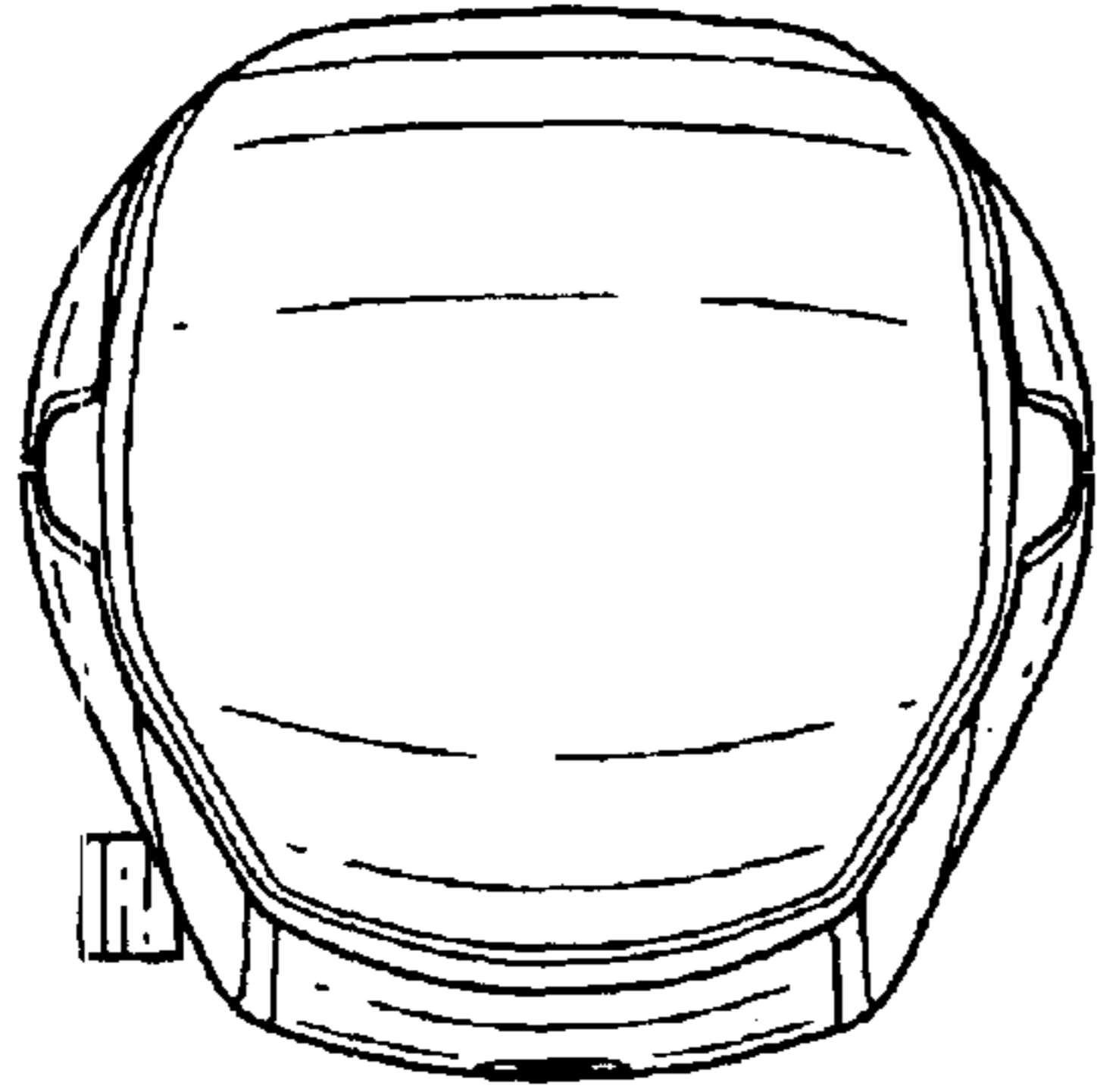


FIG. 4

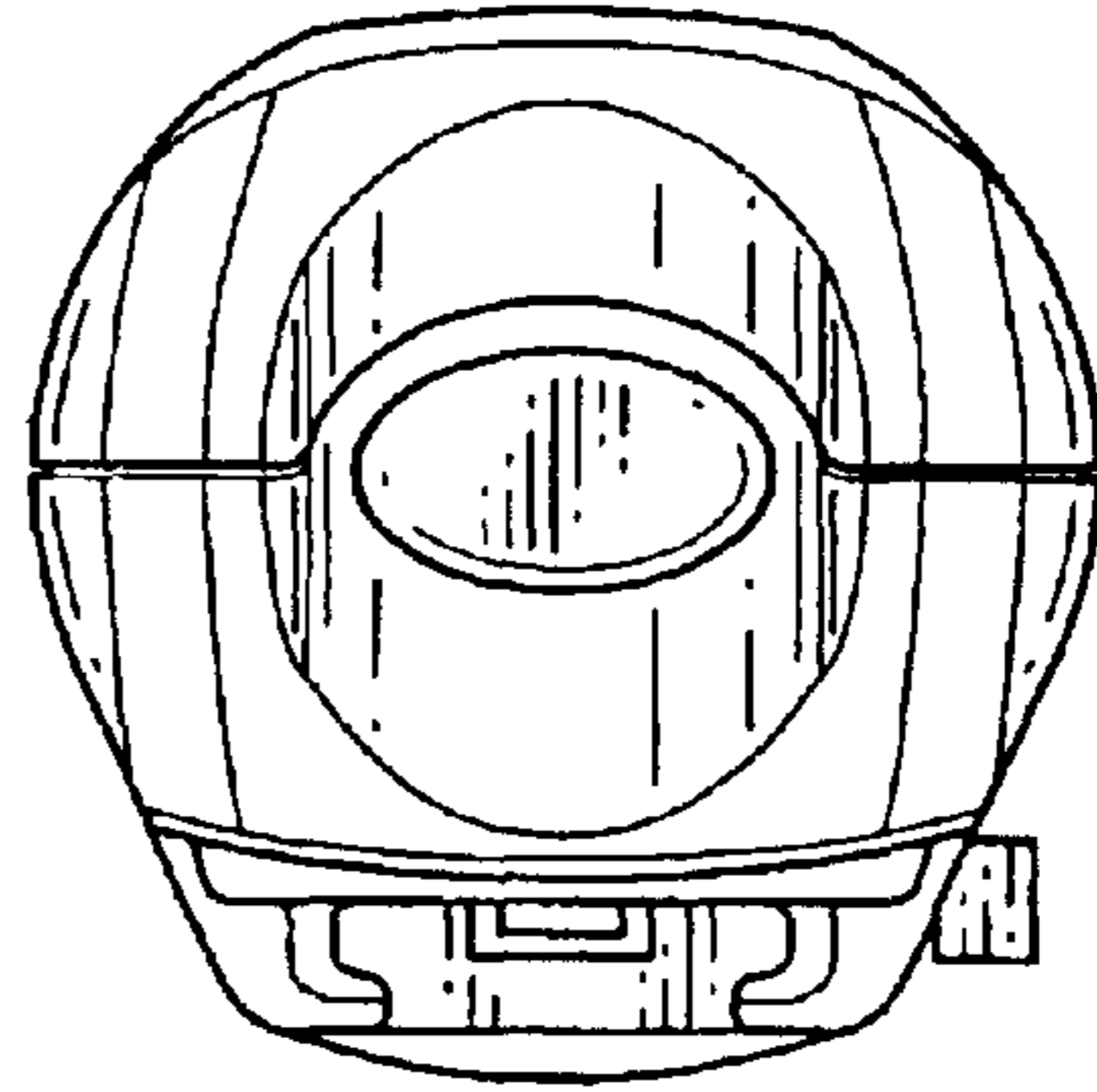


FIG. 5

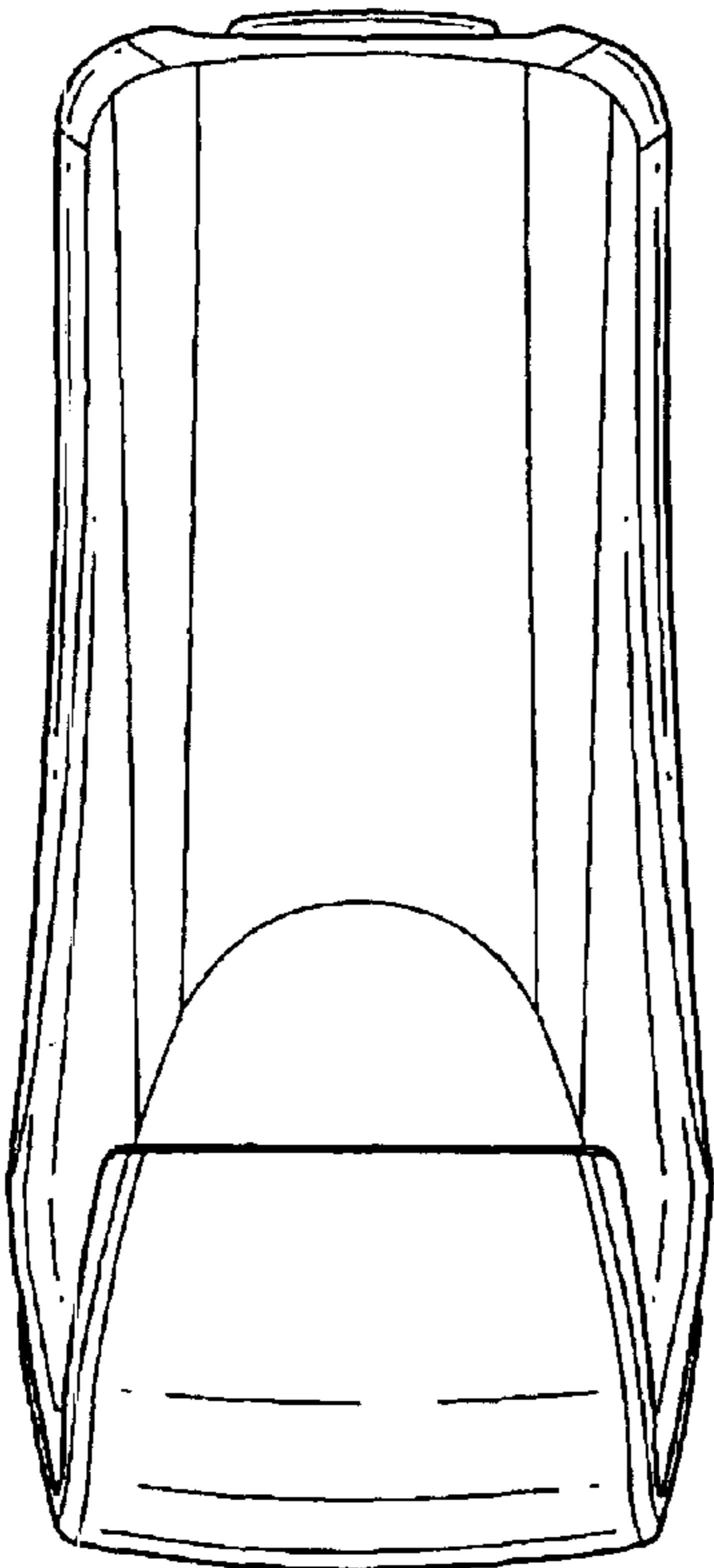


FIG. 6

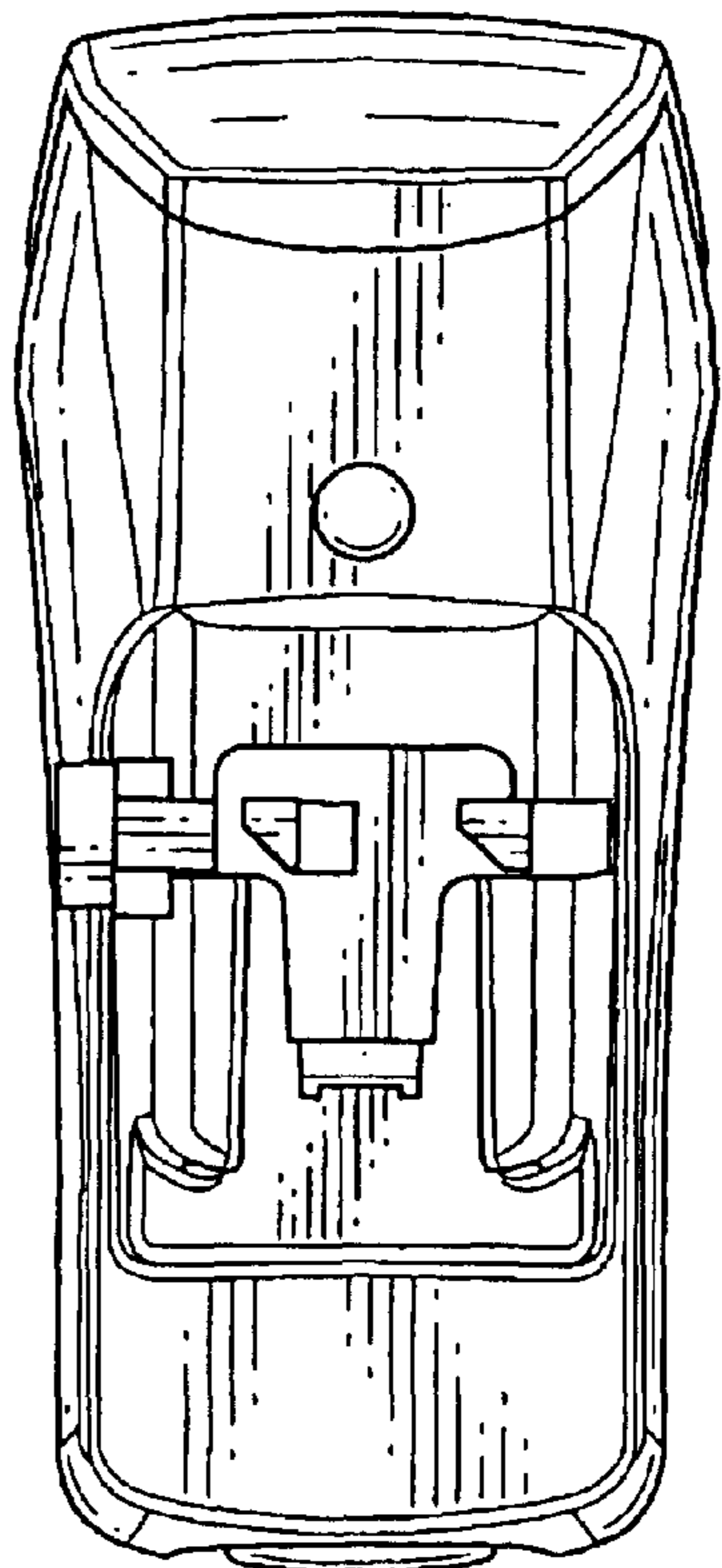


FIG. 7

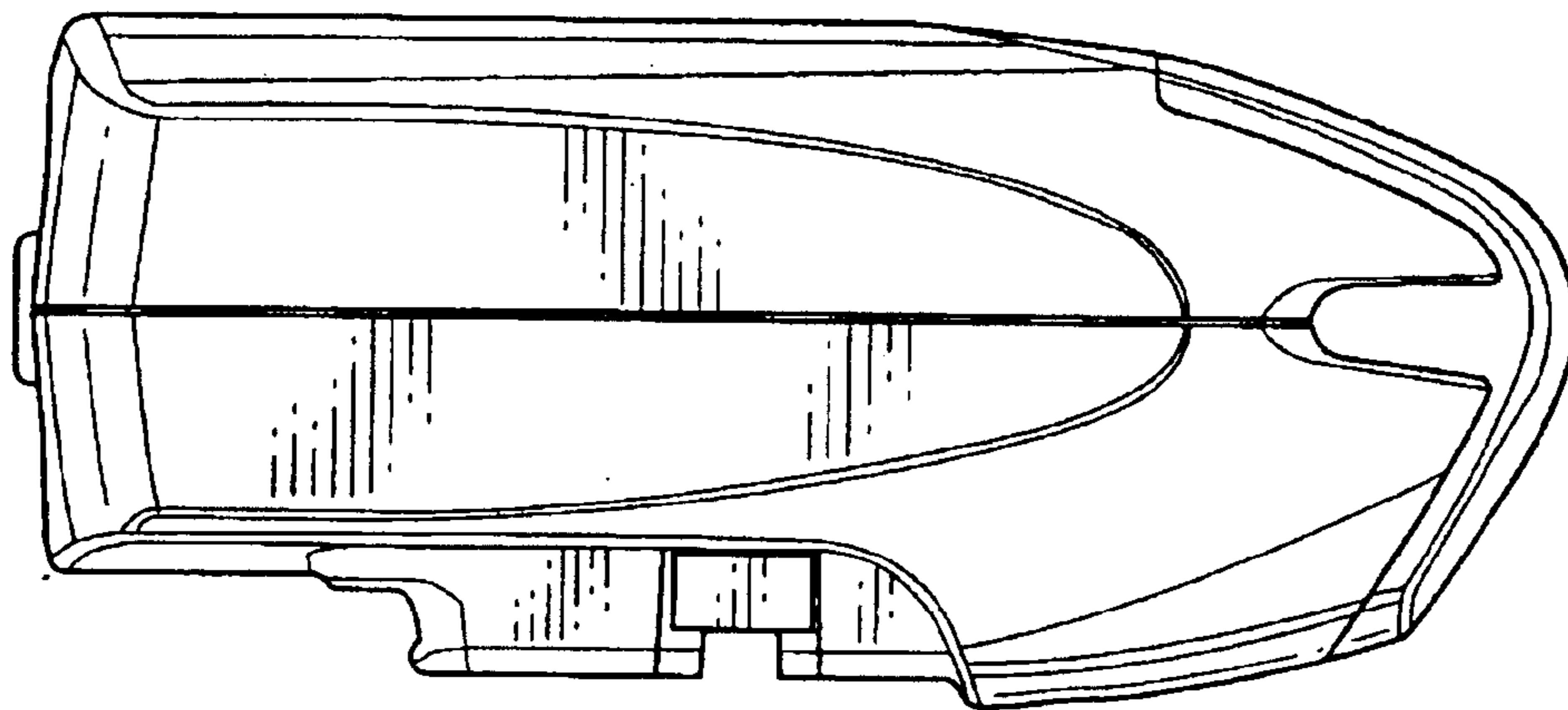


FIG. 8

