



US00D540479S

(12) **United States Design Patent**
Antonic

(10) **Patent No.:** **US D540,479 S**

(45) **Date of Patent:** **** Apr. 10, 2007**

(54) **CONSTRUCTION BEAM**

(76) **Inventor:** **James P. Antonic**, 9111 Southmont
Cove, #406, Ft. Myers, FL (US) 33908

(**) **Term:** **14 Years**

(21) **Appl. No.:** **29/233,441**

(22) **Filed:** **Jul. 1, 2005**

Related U.S. Application Data

(63) Continuation of application No. 11/116,769, filed on Apr. 28, 2005.

(51) **LOC (8) Cl.** **25-01**

(52) **U.S. Cl.** **D25/122**

(58) **Field of Classification Search** D25/119,
D25/122; 52/281, 282.2, 282.3, 460, 461,
52/479, 481.1, 220.1

See application file for complete search history.

(56) **References Cited**

U.S. PATENT DOCUMENTS

3,184,013	A	*	5/1965	Pavlecka	52/275
4,660,339	A	*	4/1987	Paz	52/238.1
D318,130	S	*	7/1991	Abbestam et al.	D25/122
5,070,667	A	*	12/1991	Schulte	52/241
5,561,955	A	*	10/1996	Frobosilo et al.	52/217
5,644,888	A		7/1997	Johnson		
5,848,512	A	*	12/1998	Conn	52/481.1
6,003,279	A		12/1999	Schneider		
6,092,340	A		7/2000	Simmons		
6,272,796	B1		8/2001	Metzler		
6,276,094	B1		8/2001	Hays		
6,314,704	B1		11/2001	Bryant		
6,427,403	B1		8/2002	Tambakis		

6,438,903	B1		8/2002	Weiss		
D473,955	S	*	4/2003	Gregori	D25/122
6,581,337	B1		6/2003	Skov et al.		
6,754,999	B1		6/2004	Urbanczk		
2002/0069600	A1		6/2002	Bryant		
2002/0092245	A1		7/2002	Floyd et al.		
2003/0089066	A1		5/2003	Nelson		

OTHER PUBLICATIONS

U.S. Appl. No. 29/233,444, filed Jul. 1, 2005, Antonic.
U.S. Appl. No. 29/233,443, filed Jul. 1, 2005, Antonic.
U.S. Appl. No. 29/233,442, filed Jul. 1, 2005, Antonic.

* cited by examiner

Primary Examiner—Doris Clark

(74) *Attorney, Agent, or Firm*—Laura G. Barrow

(57) **CLAIM**

I claim the ornamental design of a construction beam, as shown and described.

DESCRIPTION

FIG. 1 is a perspective view of a construction beam showing my new design, the construction beam being of indeterminate length

FIG. 2 is a front elevation thereof. The front and rear views of the construction beam are identical.

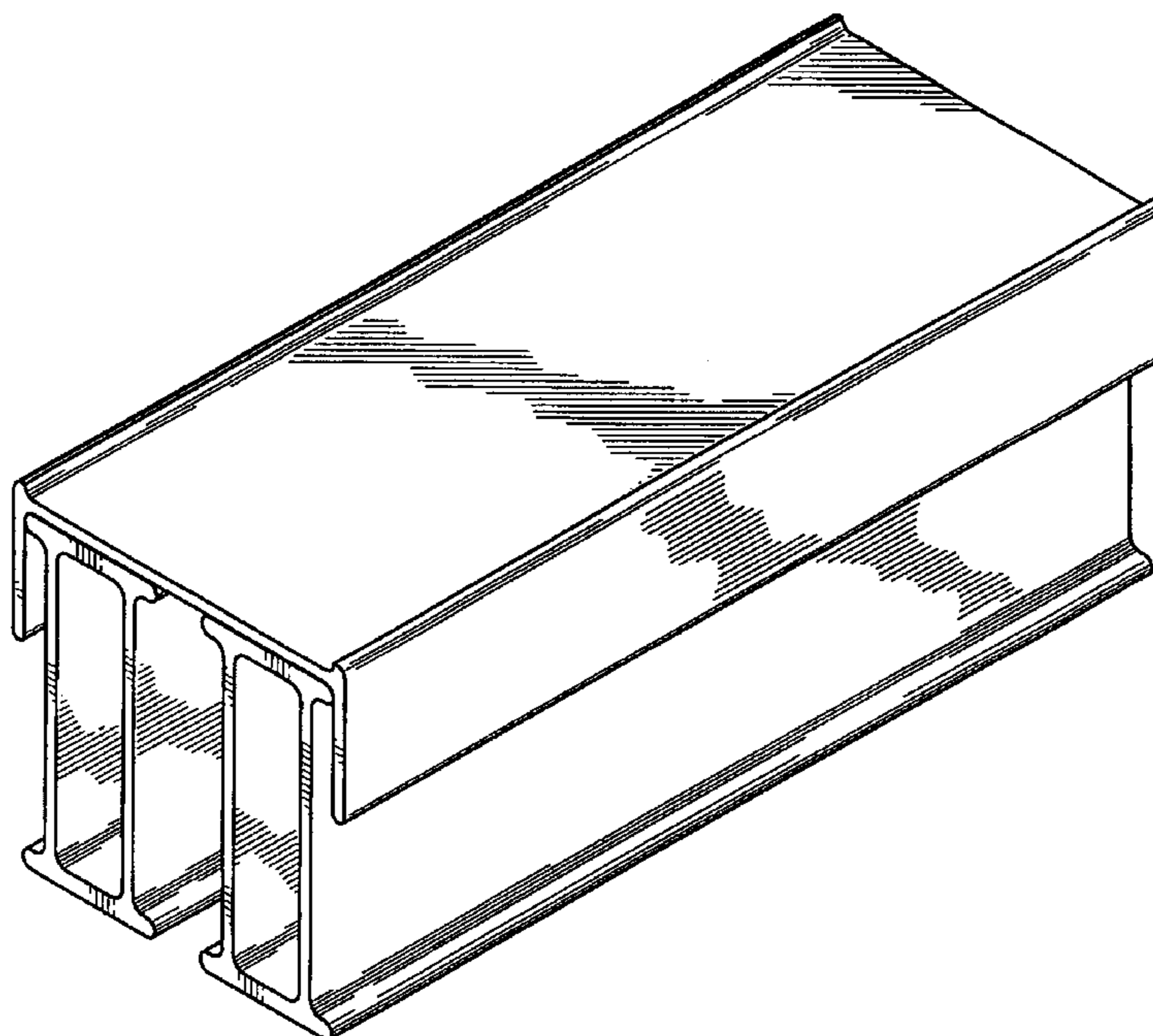
FIG. 3 is a side elevation view thereof. The right and left sides of the construction beam are identical.

FIG. 4 is a top plan view thereof; and,

FIG. 5 is a bottom plan view thereof.

The shading lines shown in all of the drawings represent the approximate three-dimensional contour of the design, and thus are not intended to indicate surface decoration.

1 Claim, 3 Drawing Sheets



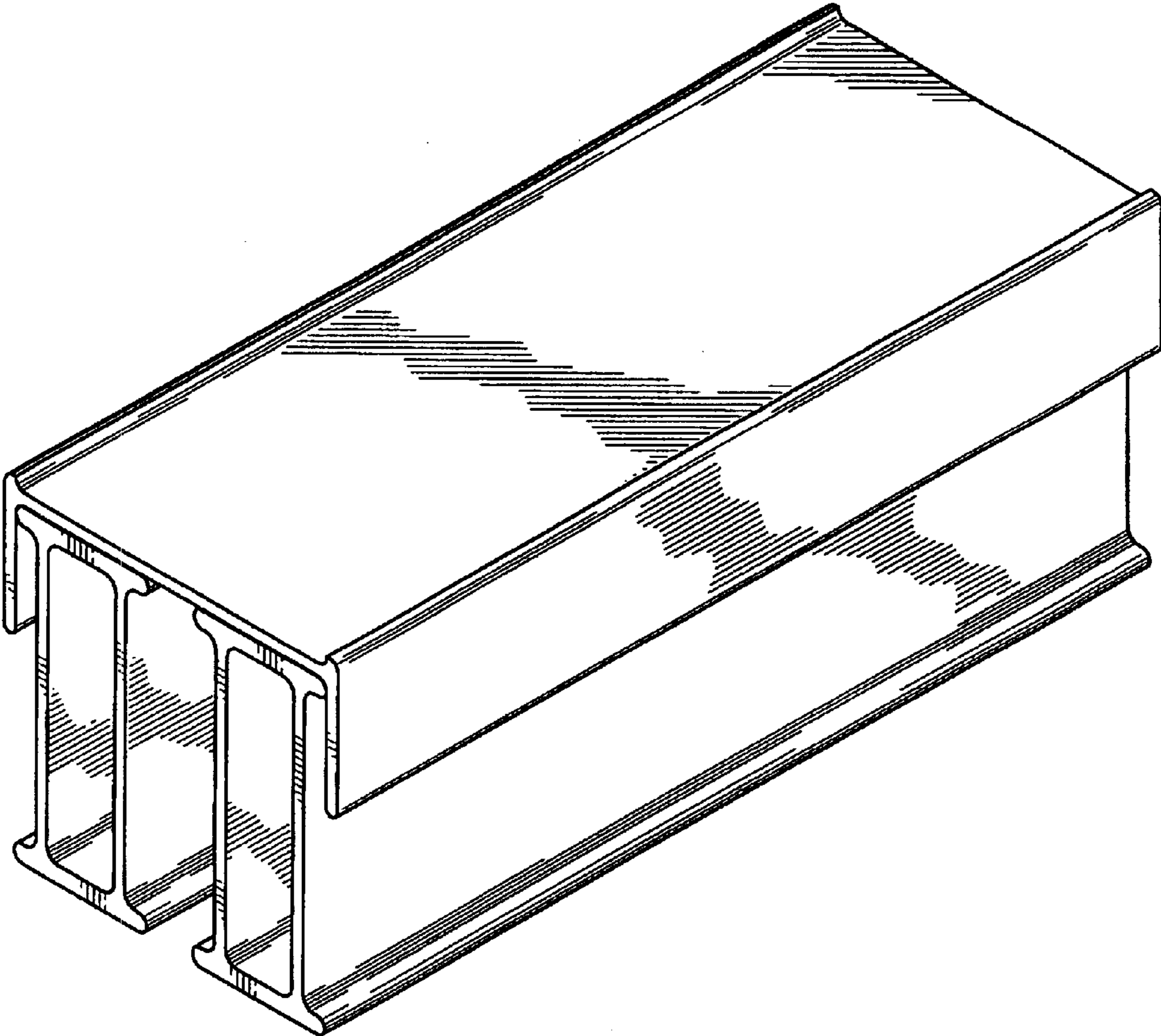


Fig. 1

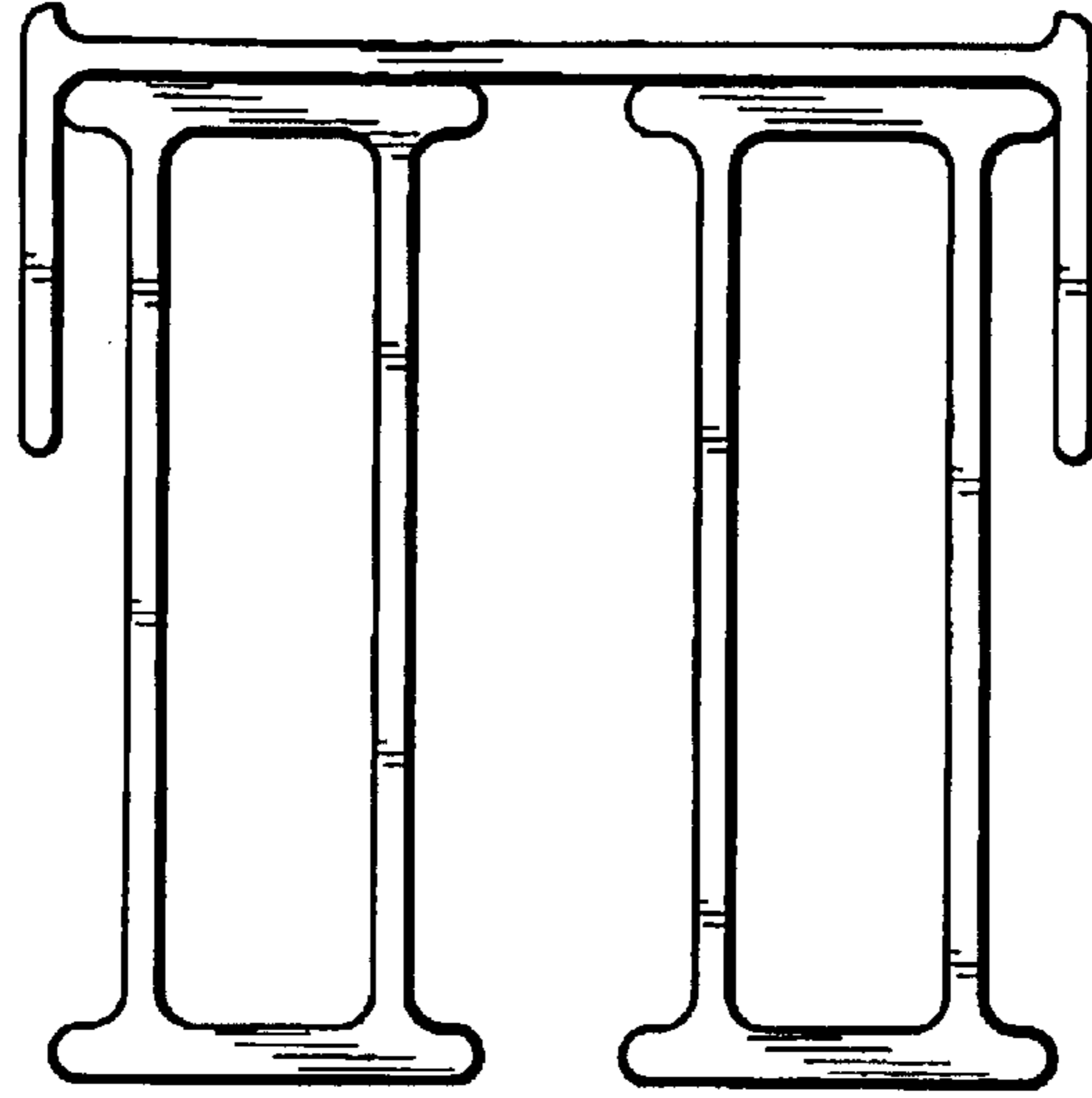


Fig. 2

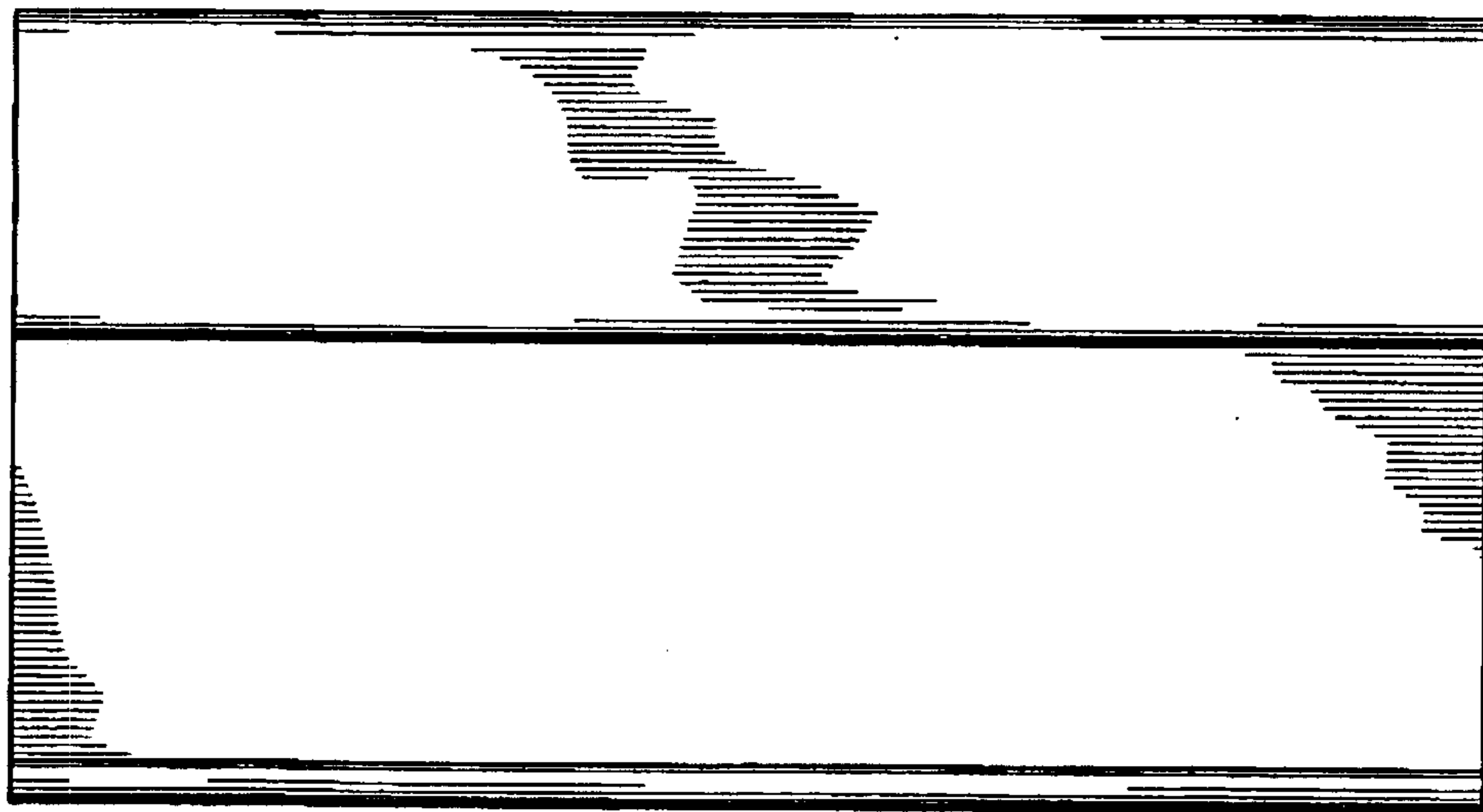


Fig. 3

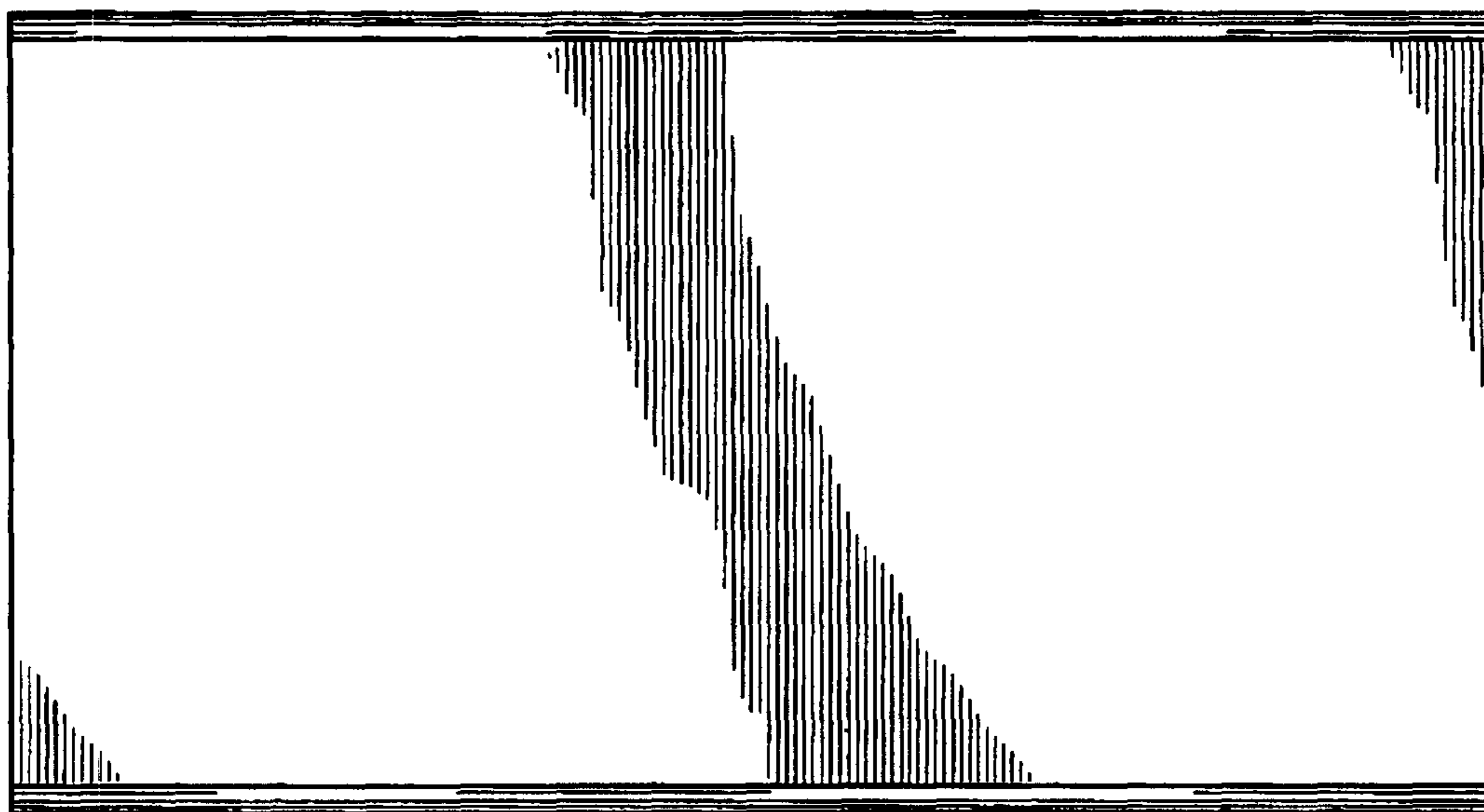


Fig. 4



Fig. 5