



US00D540478S

(12) **United States Design Patent**
Price

(10) **Patent No.:** **US D540,478 S**

(45) **Date of Patent:** **** Apr. 10, 2007**

(54) **STACKABLE WALL BLOCK**

D485,371 S * 1/2004 Burgess et al. D25/113
7,059,808 B2 * 6/2006 Risi 405/284
7,096,635 B2 8/2006 Price

(75) Inventor: **Brian A Price**, Rochester, MN (US)

(73) Assignee: **Rockwood Retaining Walls, Inc.**,
Rochester, MN (US)

(**) Term: **14 Years**

(21) Appl. No.: **29/260,133**

(22) Filed: **May 19, 2006**

(51) **LOC (8) Cl.** **25-01**

(52) **U.S. Cl.** **D25/113**

(58) **Field of Classification Search** D25/112-118;
D21/484-490, 499-502; 405/15-16, 33,
405/35, 284-286; 404/29-42; 52/503, 504,
52/575, 596-599, 603-605, 608, 612

See application file for complete search history.

(56) **References Cited**

U.S. PATENT DOCUMENTS

1,260,024 A * 3/1918 Parton 52/302.3
1,795,451 A * 3/1931 Sharpe 52/314
1,816,916 A * 8/1931 Sentrop 52/351
5,622,456 A * 4/1997 Risi et al. 405/284
5,647,185 A * 7/1997 Forlini 52/604
D403,437 S * 12/1998 Risi et al. D25/113
D405,193 S * 2/1999 Scales D25/113
D466,229 S * 11/2002 Risi et al. D25/113
D479,342 S * 9/2003 Dawson D25/113
6,651,401 B2 11/2003 Price et al.

OTHER PUBLICATIONS

“Classic” product literature, Rockwood Retaining Walls, 12
pgs., 1997.

* cited by examiner

Primary Examiner—Louis S. Zarfaz

Assistant Examiner—Gregory Andoll

(74) *Attorney, Agent, or Firm*—Patterson, Thuente, Skaar &
Christensen, P.A.

(57) **CLAIM**

I claim the ornamental design for a stackable wall block, as
shown.

DESCRIPTION

FIG. 1 is a perspective view of a stackable wall block
showing my new design.

FIG. 2 is a front view thereof.

FIG. 3 is a rear view thereof.

FIG. 4 is a bottom view thereof.

FIG. 5 is a top view thereof; and,

FIG. 6 is a side view thereof.

The broken lines appearing in the figures are not intended to
form part of the claimed design and are provided for
illustrative purposes only.

1 Claim, 2 Drawing Sheets

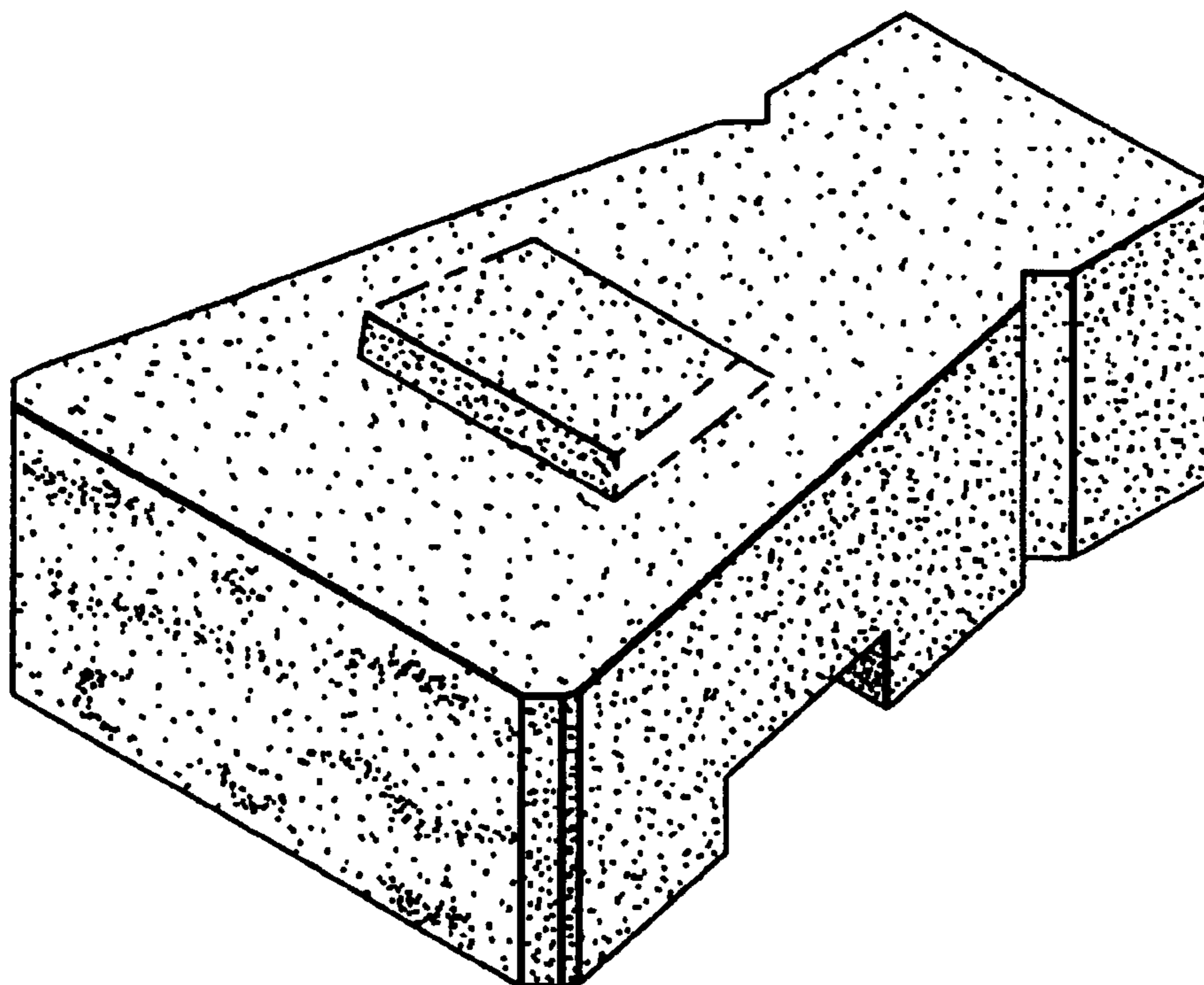


Fig. 1

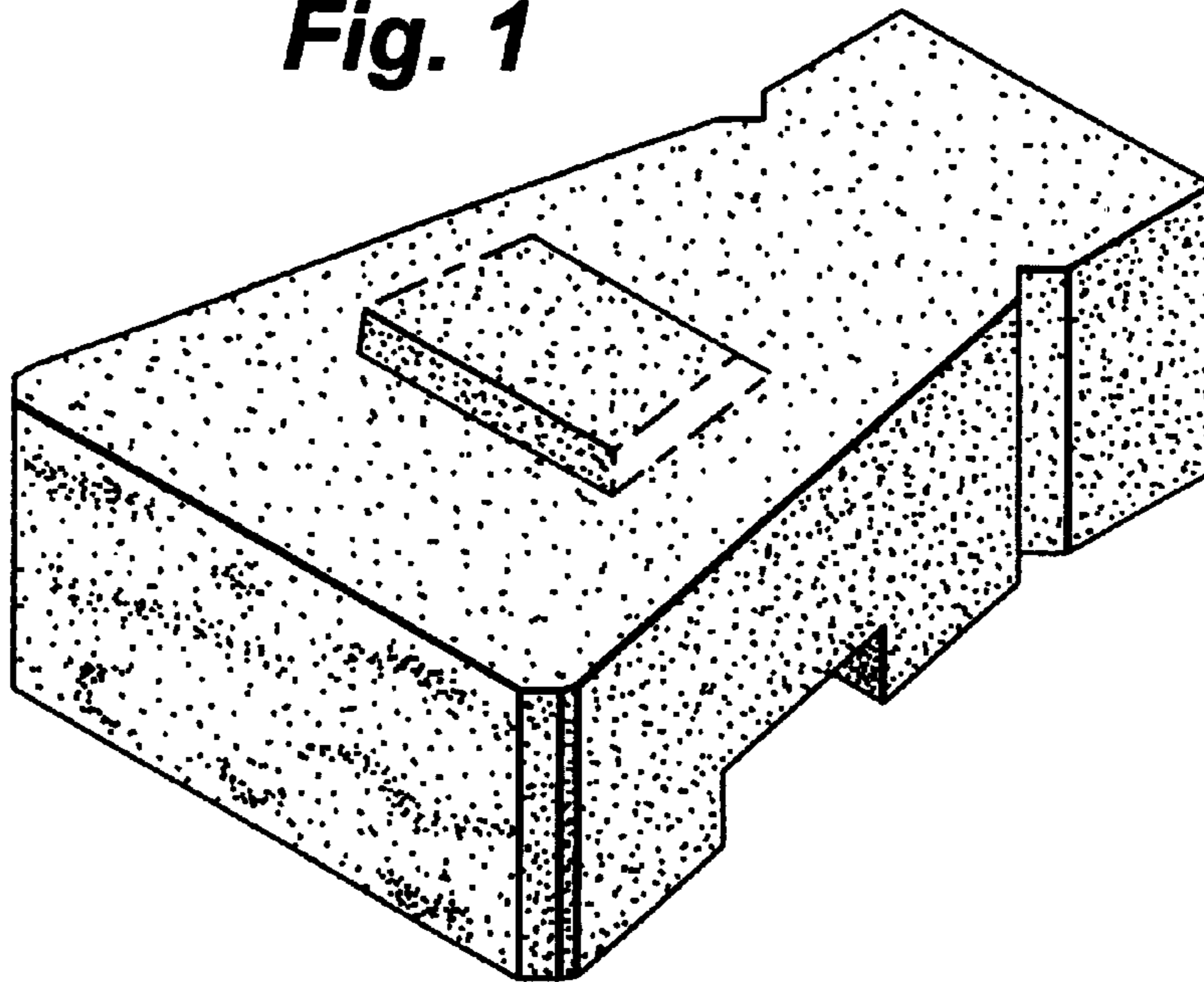


Fig. 2

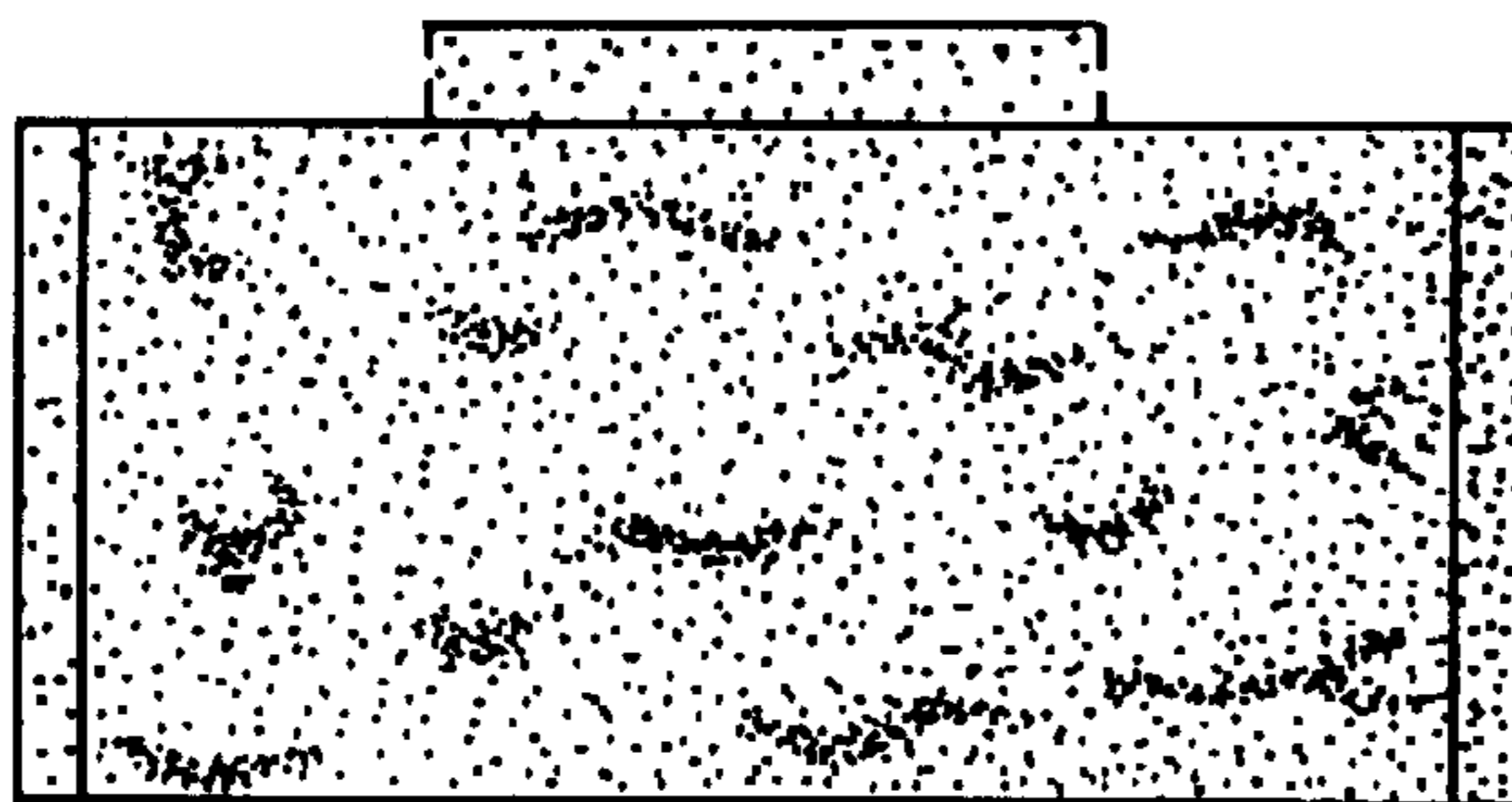


Fig. 3

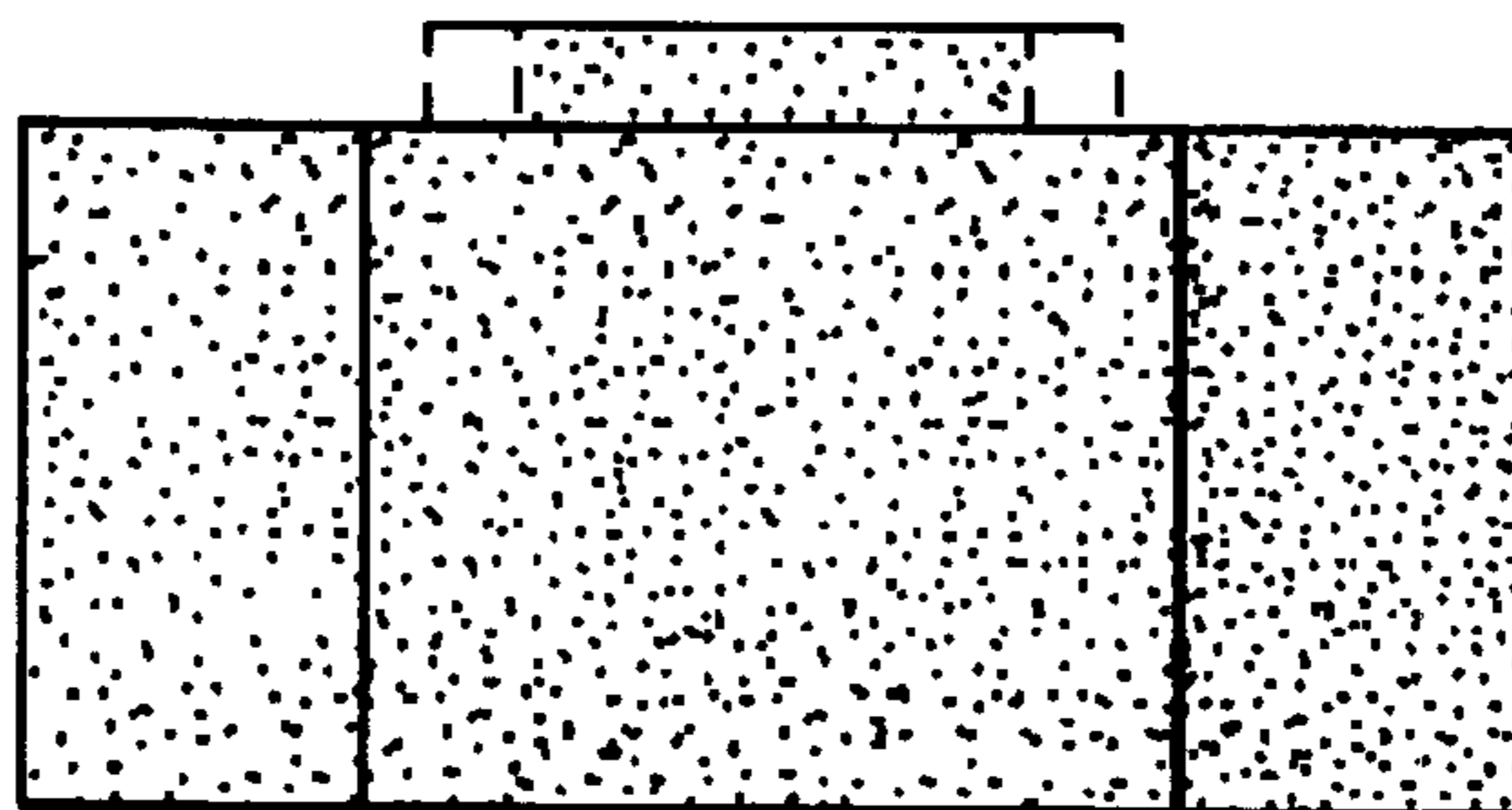


Fig. 4

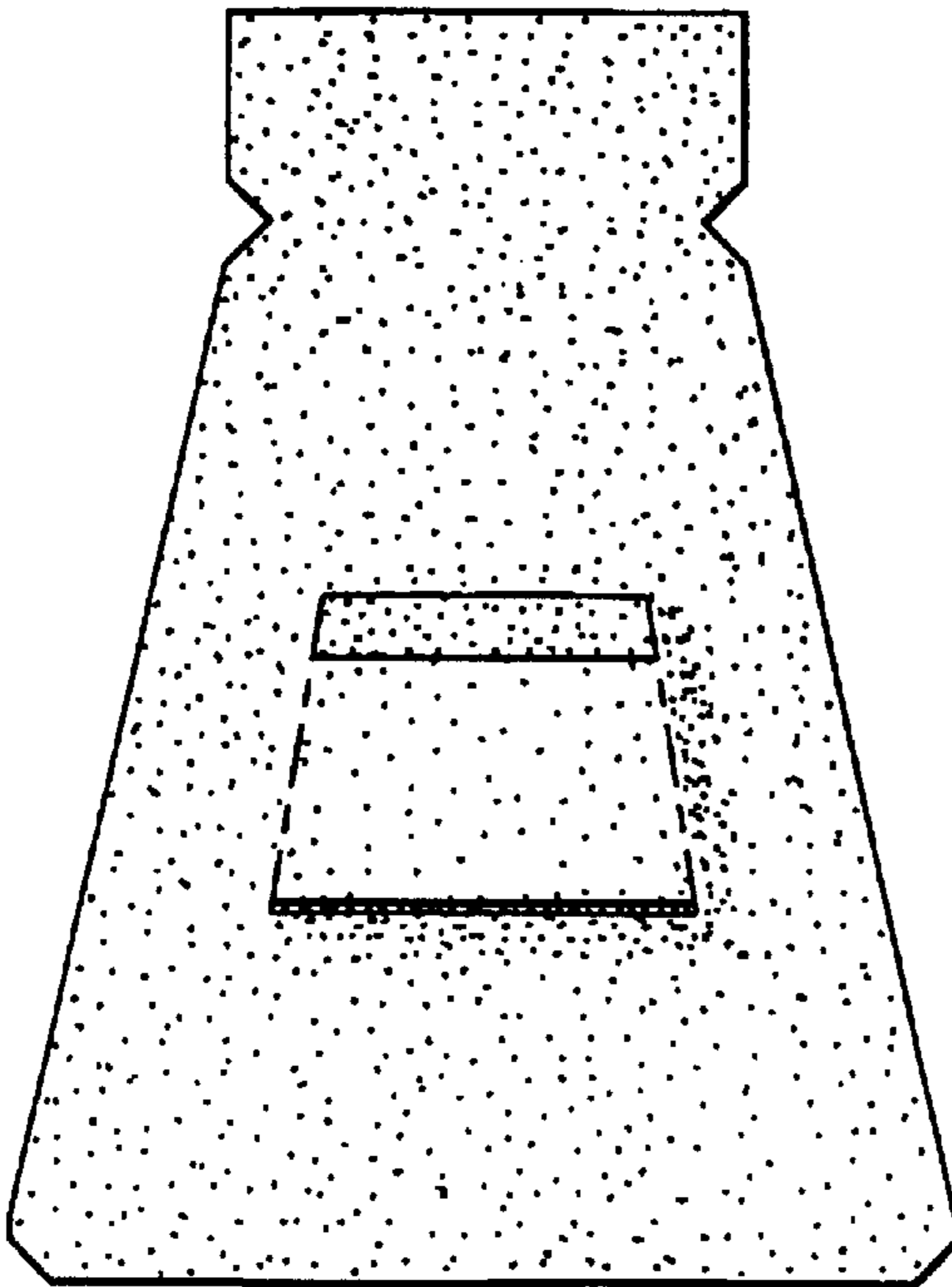


Fig. 5

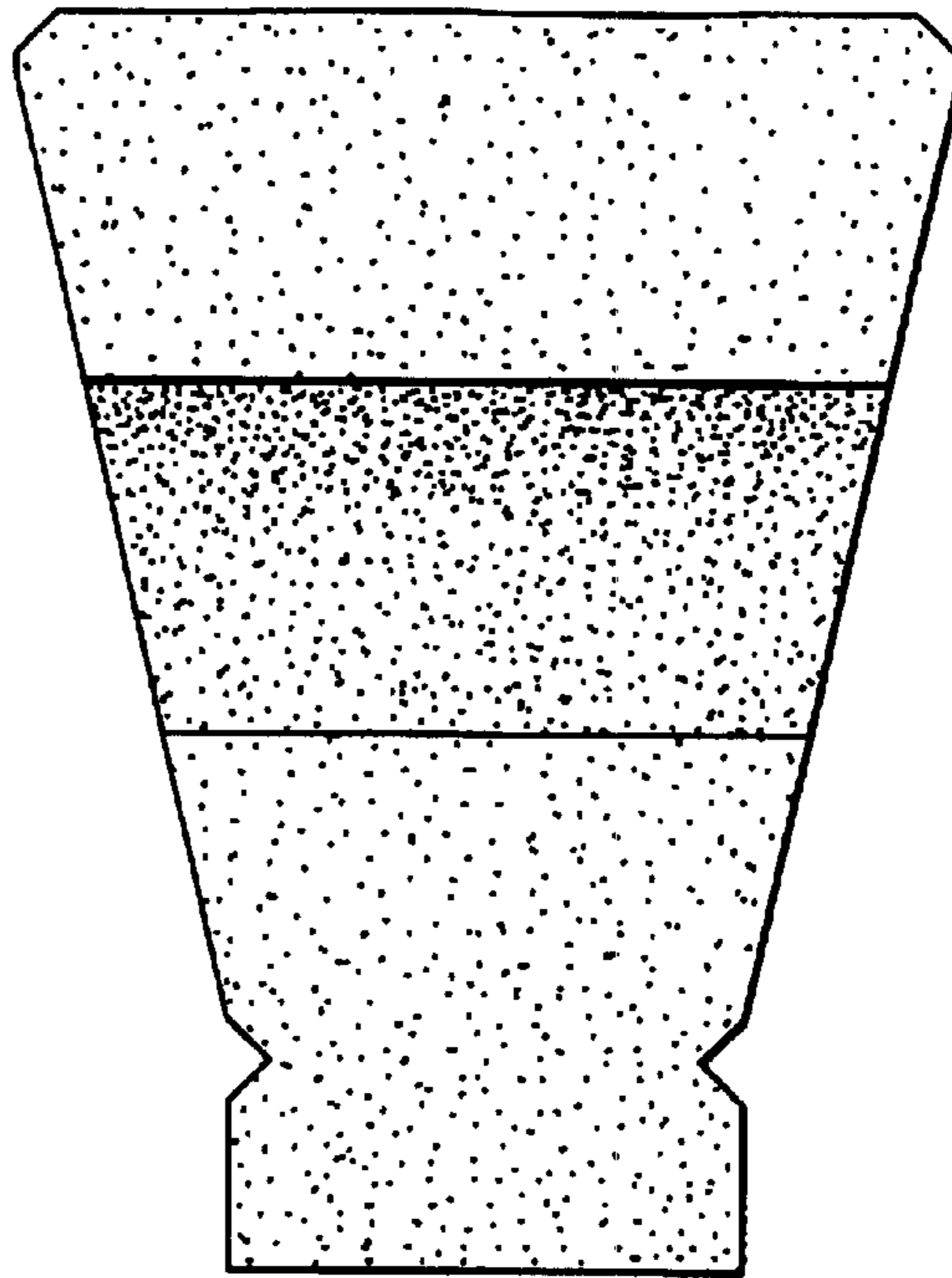


Fig. 6

