



US00D540475S

(12) **United States Design Patent** (10) **Patent No.:** **US D540,475 S**  
**Price** (45) **Date of Patent:** **\*\* Apr. 10, 2007**

(54) **COLUMN FORMING BLOCK**  
(75) Inventor: **Brian A. Price**, Rochester, MN (US)  
(73) Assignee: **Rockwood Retaining Walls, Inc.**,  
Rochester, MN (US)  
(\*\*) Term: **14 Years**  
(21) Appl. No.: **29/256,238**  
(22) Filed: **Mar. 17, 2006**

6,035,599 A 3/2000 Sonnentag  
6,176,049 B1 1/2001 Crant et al.  
D441,464 S \* 5/2001 Pribyl ..... D25/118  
6,223,493 B1 5/2001 Ruggeri  
6,523,317 B1 2/2003 Bott et al.  
6,571,521 B1 6/2003 Ameigh  
6,578,338 B1 6/2003 Nanayakkara  
6,665,994 B1 12/2003 Ruggeri  
6,735,913 B2 5/2004 Sanders et al.  
6,782,673 B2 8/2004 Azar  
6,948,282 B2 9/2005 Bott  
2005/0252146 A1 11/2005 MacDonald et al.  
2005/0252147 A1 11/2005 MacDonald et al.

(51) **LOC (8) Cl.** ..... **25-01**  
(52) **U.S. Cl.** ..... **D25/113; D25/114; D25/118**  
(58) **Field of Classification Search** ..... D25/112-118;  
D21/484-490, 499-502; 405/15-16, 33,  
405/35, 284-286; 404/29-42; 52/503, 504,  
52/575, 596-599, 603-605, 608, 612  
See application file for complete search history.

**FOREIGN PATENT DOCUMENTS**

WO WO 99/05370 2/1999

\* cited by examiner

*Primary Examiner*—Louis S. Zarfaz  
*Assistant Examiner*—Gregory Andoll  
(74) *Attorney, Agent, or Firm*—Patterson, Thuente, Skaar &  
Christensen, P.A.

(56) **References Cited**

**U.S. PATENT DOCUMENTS**

2,994,162 A 8/1961 Frantz  
3,116,570 A 1/1964 Torricelli  
3,298,668 A 1/1967 Schueren  
3,512,759 A 5/1970 Resler  
3,534,518 A 10/1970 Zagray  
3,905,170 A 9/1975 Huettemann  
3,962,842 A 6/1976 Wilhelm  
4,107,894 A 8/1978 Mullins  
4,124,961 A 11/1978 Habegger  
D255,787 S \* 7/1980 Morehead, Jr. .... D11/155  
4,372,091 A \* 2/1983 Brown et al. .... 52/592.6  
4,426,815 A 1/1984 Brown  
4,524,551 A 6/1985 Scheiwiller  
D284,308 S \* 6/1986 Risi et al. .... D25/118  
4,698,949 A \* 10/1987 Dietrich ..... 52/415  
4,726,567 A 2/1988 Greenberg  
4,865,781 A 9/1989 Jennings  
4,956,958 A 9/1990 Caroti  
5,365,714 A 11/1994 Potvin  
5,623,797 A 4/1997 Gravier et al.  
5,934,035 A 8/1999 Rasmussen et al.

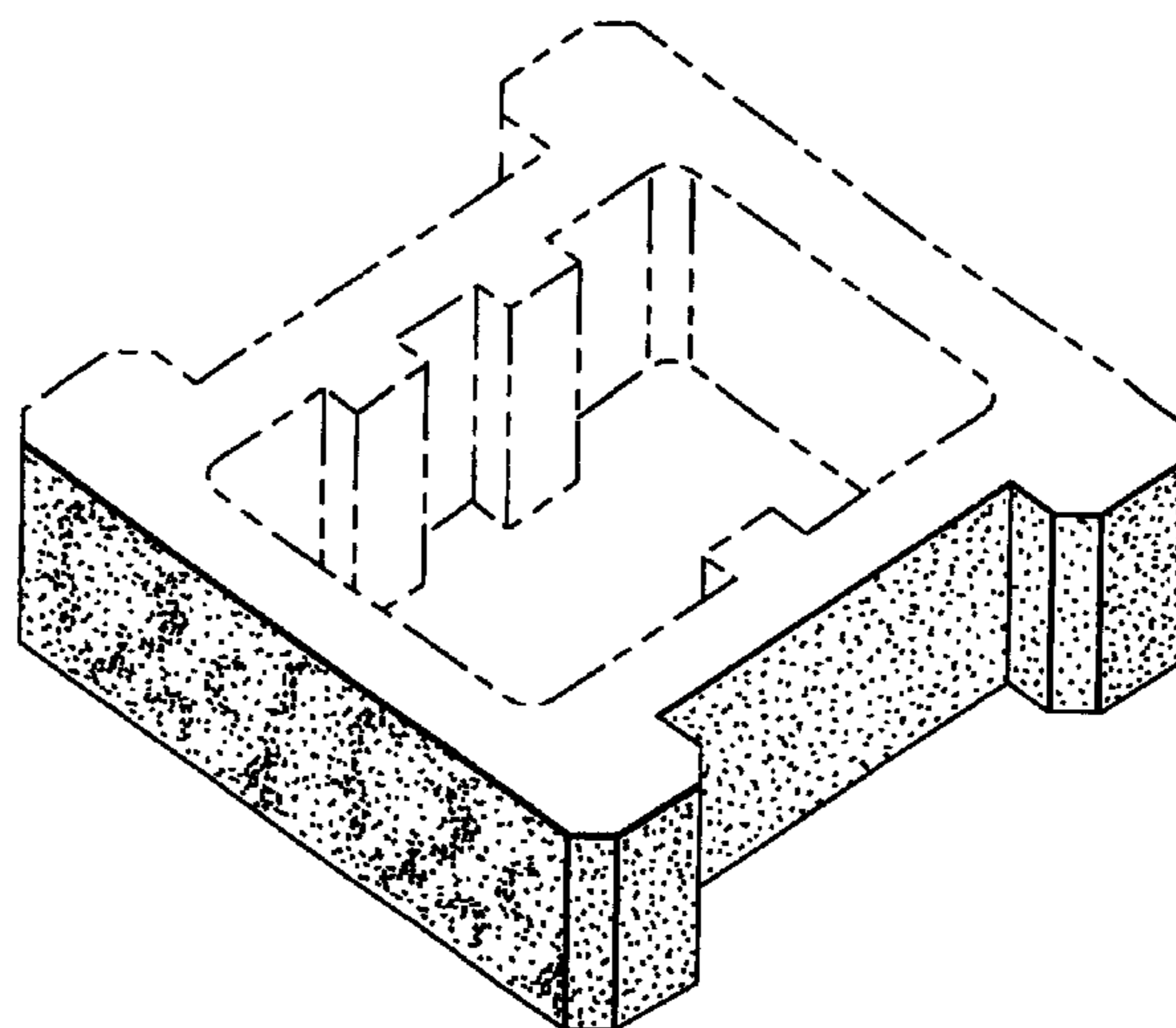
(57) **CLAIM**

I claim the ornamental design for a column forming block,  
as shown.

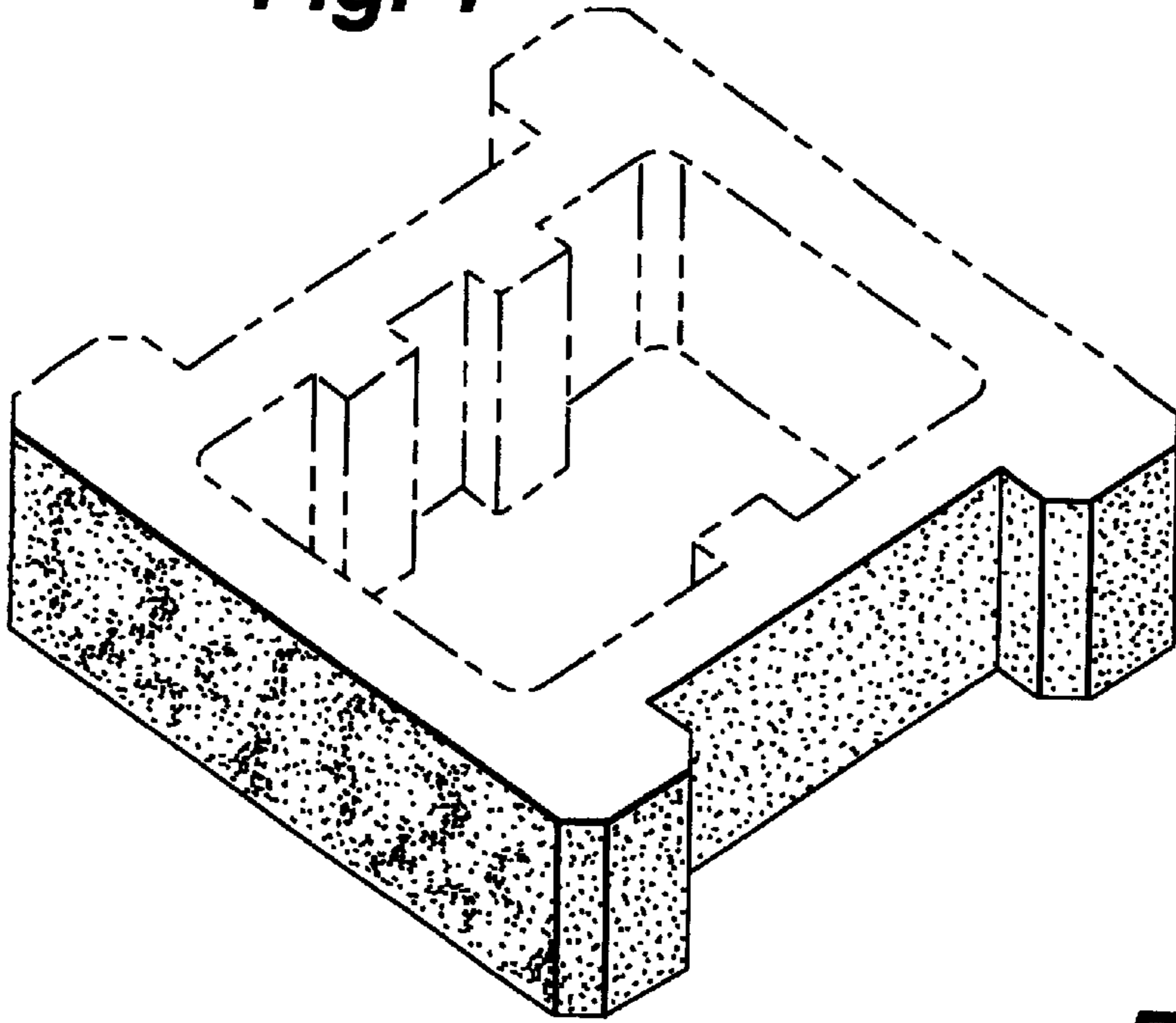
**DESCRIPTION**

FIG. 1 is a perspective view of a column forming block  
showing my new design.  
FIG. 2 is another perspective view thereof.  
FIG. 3 is a front view thereof.  
FIG. 4 is a rear view thereof.  
FIG. 5 is a side view thereof.  
FIG. 6 is another side view thereof.  
FIG. 7 is a top view thereof; and,  
FIG. 8 is a bottom view thereof.  
The broken lines appearing in the figures are not intended to  
form part of the claimed design and are provided for  
illustrating purposes only.

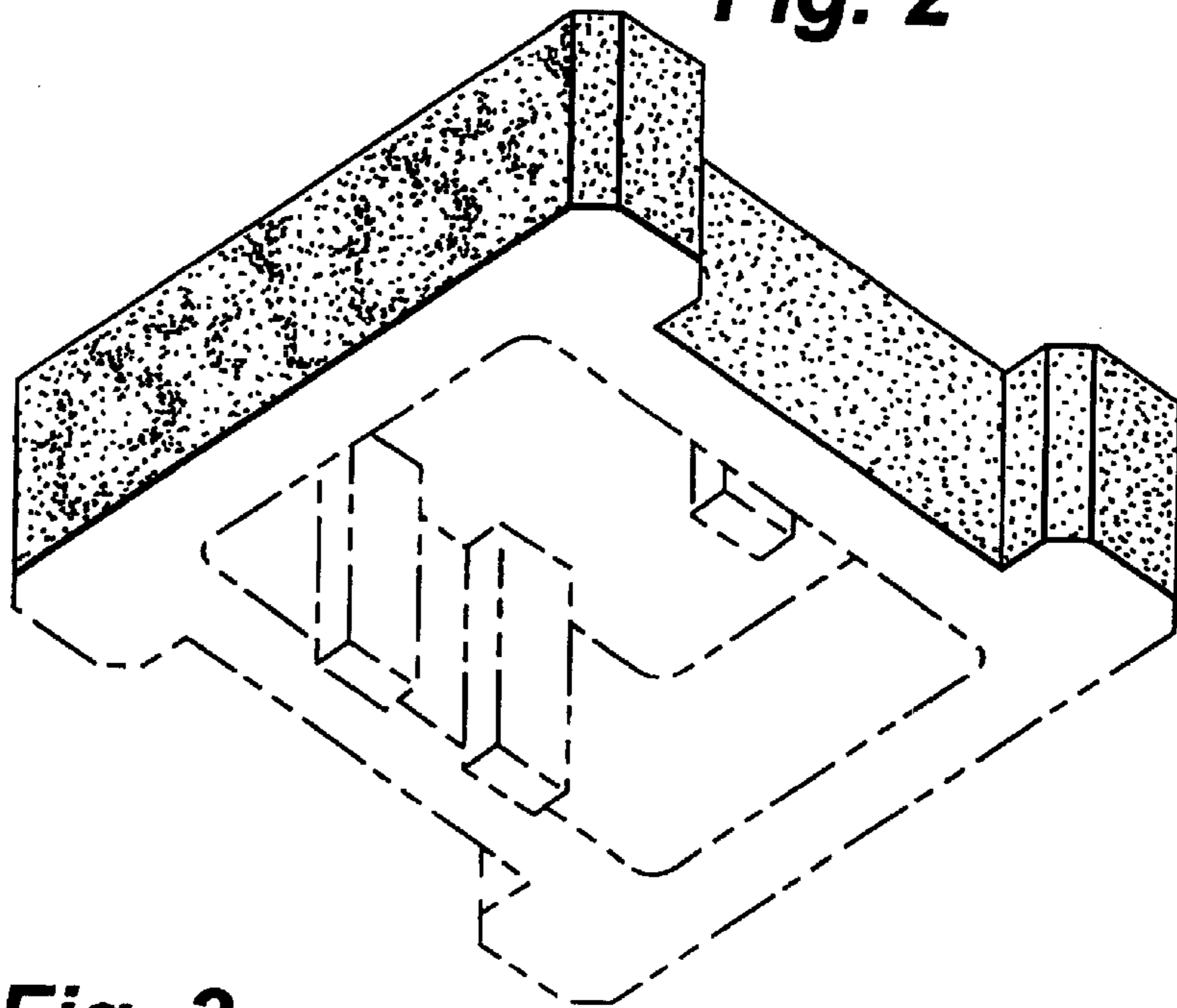
**1 Claim, 3 Drawing Sheets**



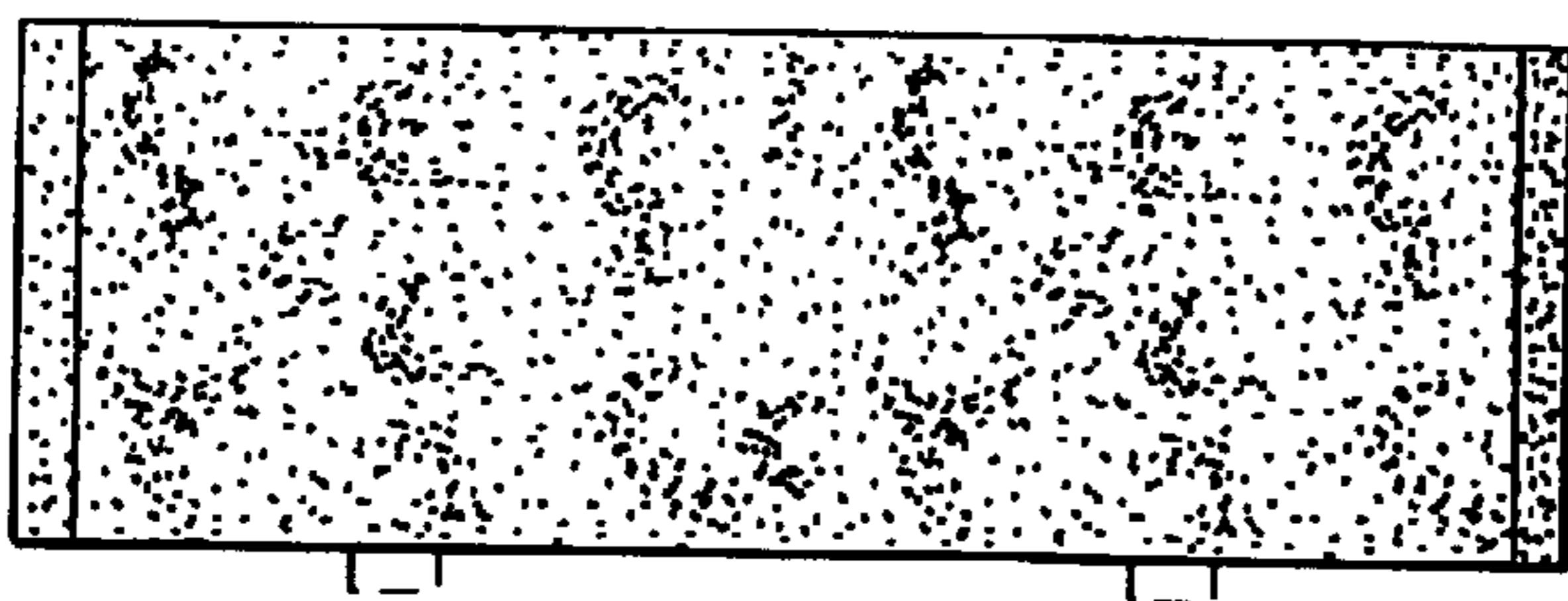
**Fig. 1**



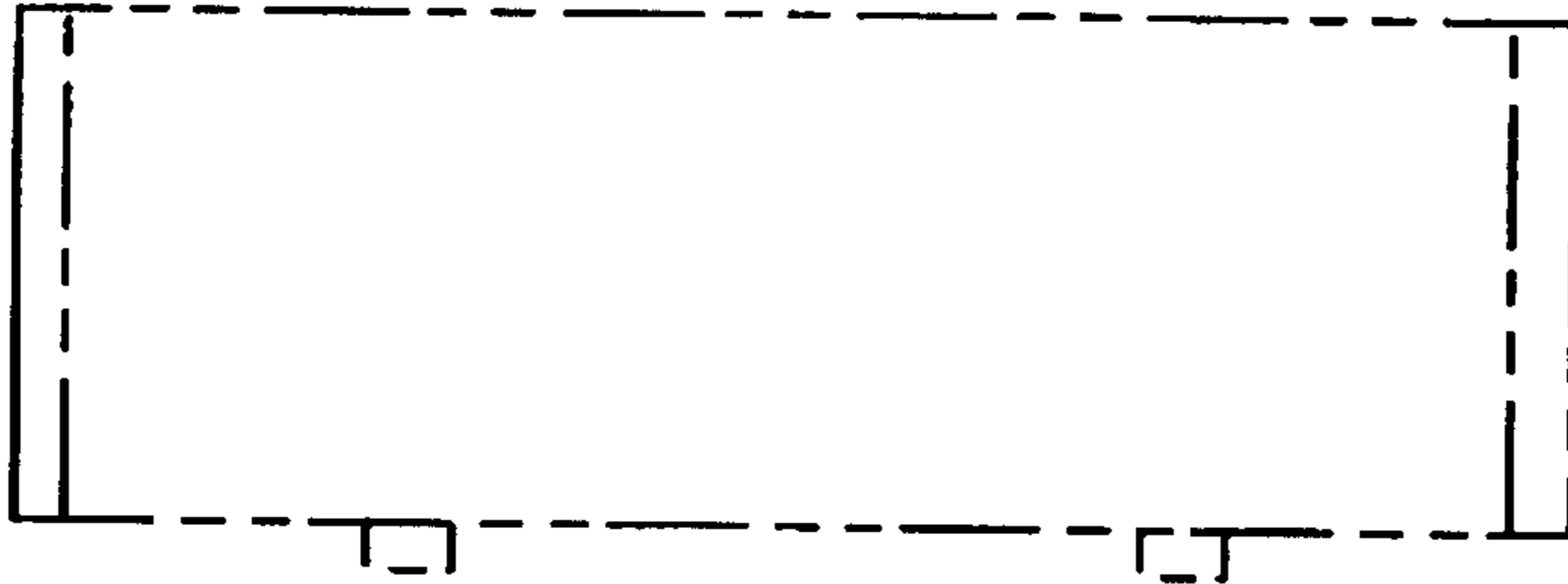
**Fig. 2**



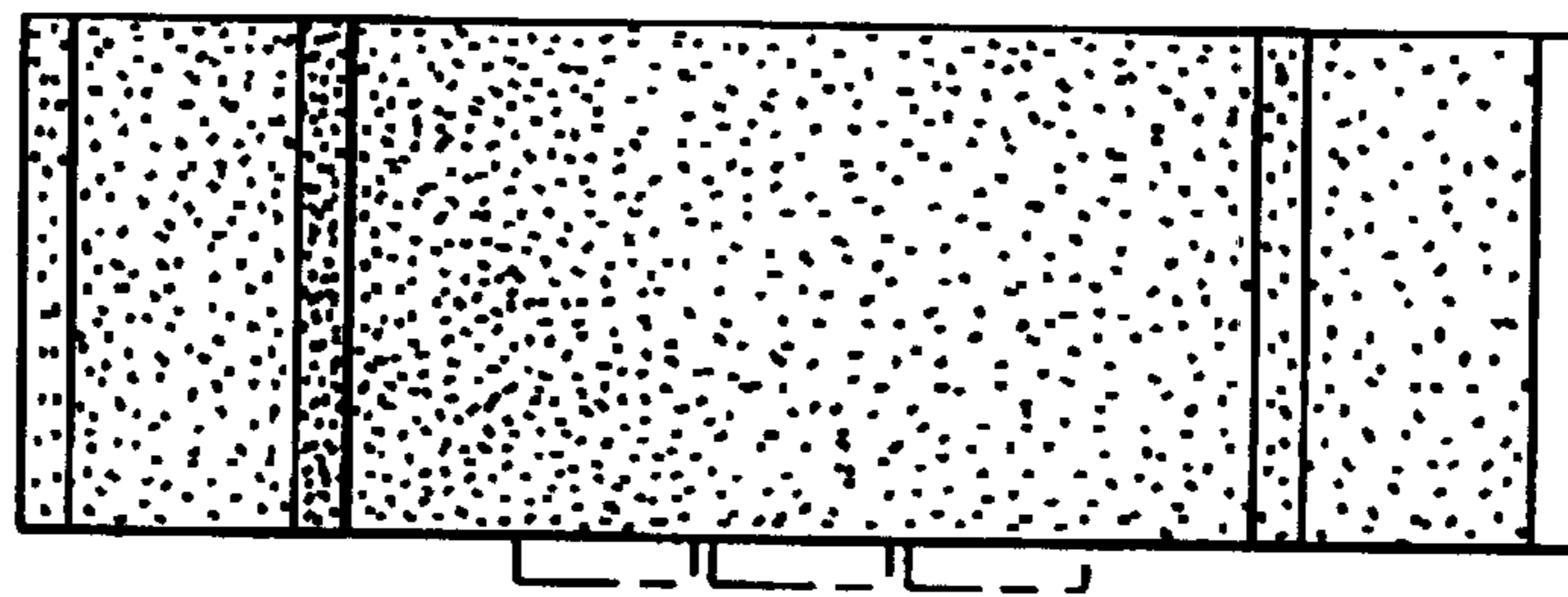
**Fig. 3**



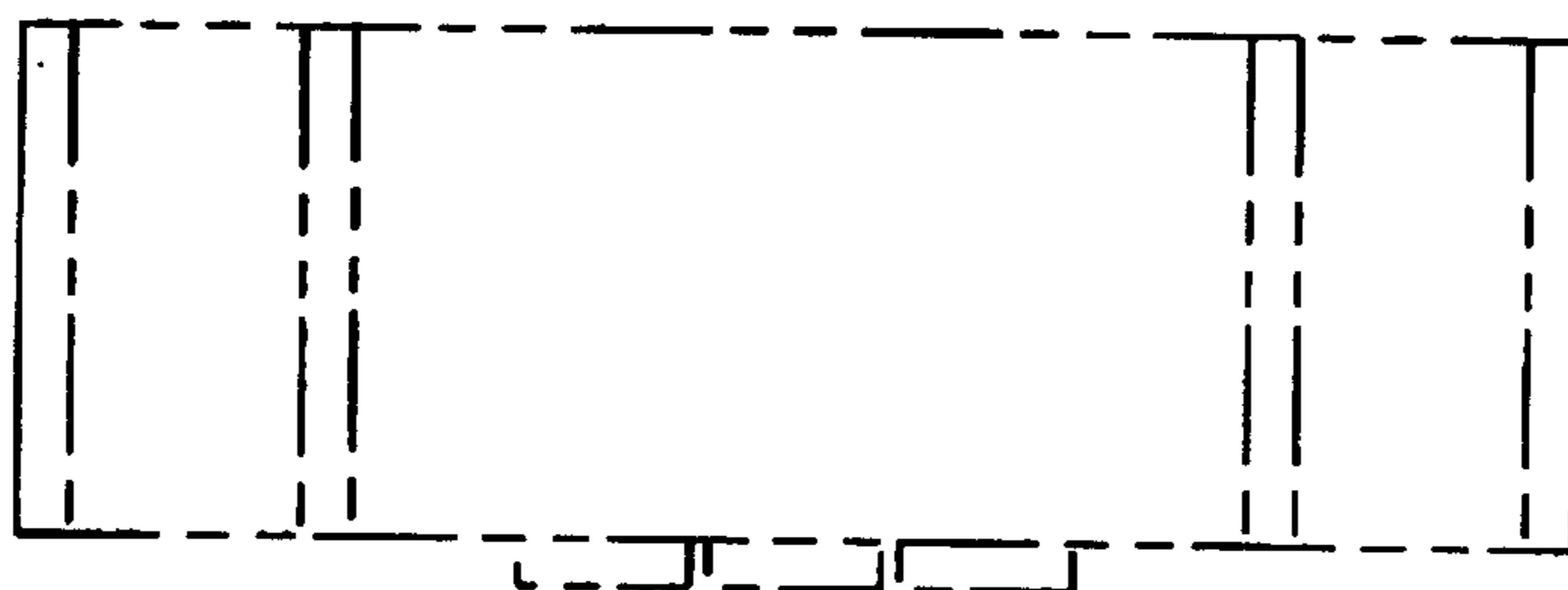
**Fig. 4**



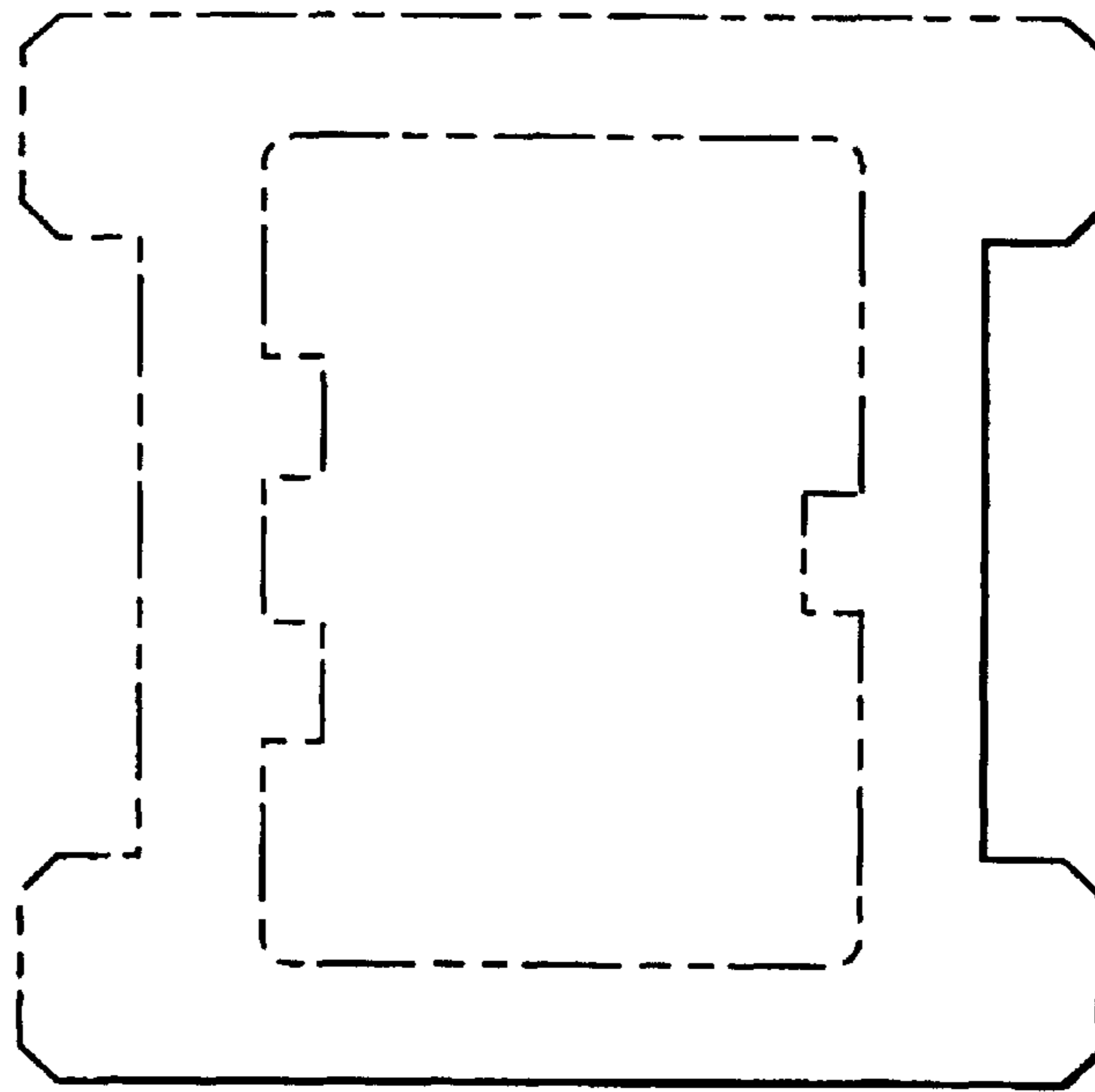
**Fig. 5**



**Fig. 6**



**Fig. 7**



**Fig. 8**

