



US00D540474S

(12) **United States Design Patent**  
**Woller et al.**

(10) **Patent No.:** **US D540,474 S**  
(45) **Date of Patent:** **\*\* Apr. 10, 2007**

- (54) **MODULAR HUNTING LADDER**
- (75) Inventors: **Ronald R. Woller**, Decatur, AL (US);  
**Scott Echols**, Eva, AL (US)
- (73) Assignee: **Summit Treestands, LLC**, Decatur, AL (US)
- (\*\*) Term: **14 Years**
- (21) Appl. No.: **29/253,391**
- (22) Filed: **Feb. 6, 2006**

5,109,954 A	5/1992	Skyba	
5,195,611 A	* 3/1993	Untz .....	182/187
5,275,257 A	1/1994	Robertson	
D344,346 S	* 2/1994	Lobozzo .....	D25/62
D394,715 S	5/1998	Pearson	
D396,303 S	* 7/1998	Odom et al. ....	D25/62
D417,011 S	11/1999	Woller, Sr. et al.	
D420,147 S	2/2000	Woller, Sr. et al.	
6,053,278 A	4/2000	Myers	
D452,331 S	* 12/2001	Bohlman .....	D25/62
6,334,508 B1	1/2002	Shields	
2002/0112919 A1	8/2002	Graham	
2002/0166727 A1	11/2002	Cramer et al.	

**Related U.S. Application Data**

- (63) Continuation of application No. 10/777,613, filed on Feb. 12, 2004.
  - (51) **LOC (8) Cl.** ..... **25-04**
  - (52) **U.S. Cl.** ..... **D25/62**
  - (58) **Field of Classification Search** ..... D25/62,  
D25/64; 182/116, 107
- See application file for complete search history.

**FOREIGN PATENT DOCUMENTS**

FR 262016 9/1987

\* cited by examiner

*Primary Examiner*—Doris Clark

(74) *Attorney, Agent, or Firm*—Gardner Groff Santos & Greenwald P.C

(57) **CLAIM**

The ornamental design for a modular hunting ladder, as shown and described.

**DESCRIPTION**

FIG. 1 is a perspective view of a modular hunting ladder showing our new design. The broken lines are for illustrative purposes only and form no part of the claimed design.

FIG. 2 is a left side elevational view of the modular hunting ladder as shown in FIG. 1;

FIG. 3 is a right side elevational view of the modular hunting ladder as shown in FIG. 1;

FIG. 4 is a front elevational view of the modular hunting ladder as shown in FIG. 1;

FIG. 5 is a rear view of the modular hunting ladder as shown in FIG. 1.

FIG. 6 is a plan (top) view of a modular hunting ladder as shown in FIG. 1 .

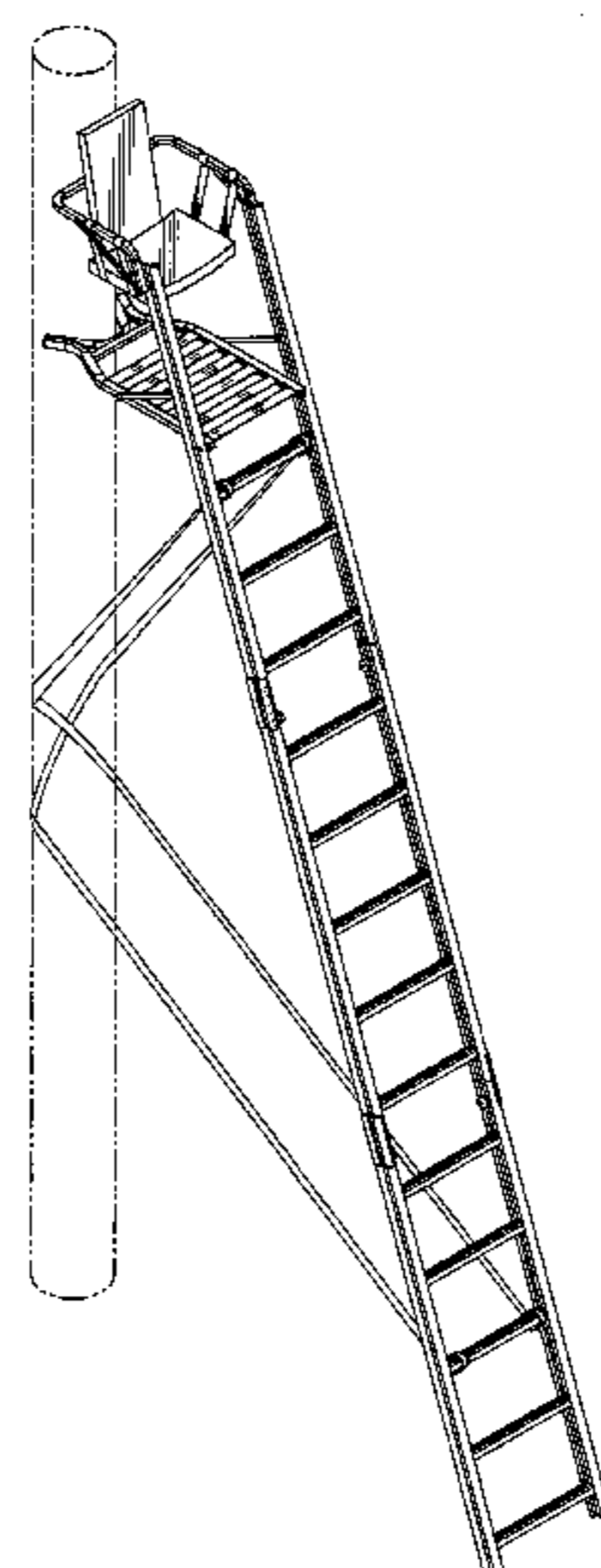
FIG. 7 is a bottom view of the modular hunting ladder as shown in FIG. 1 .

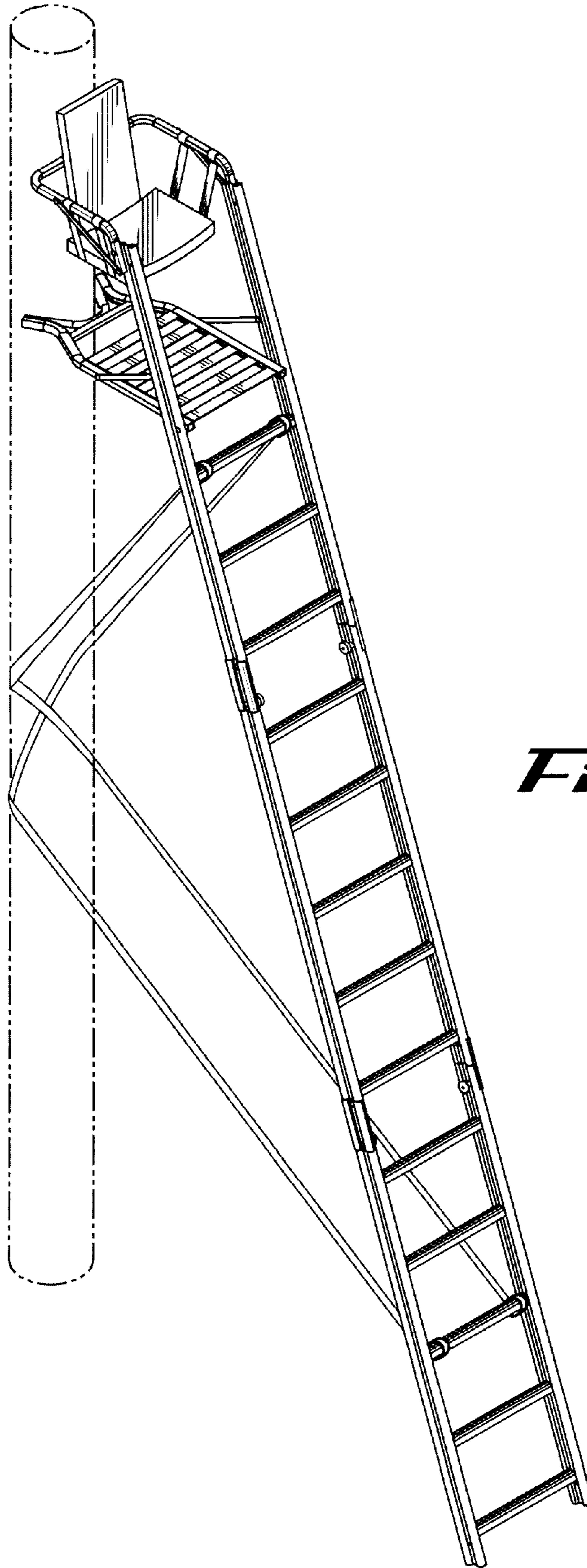
**1 Claim, 5 Drawing Sheets**

(56) **References Cited**

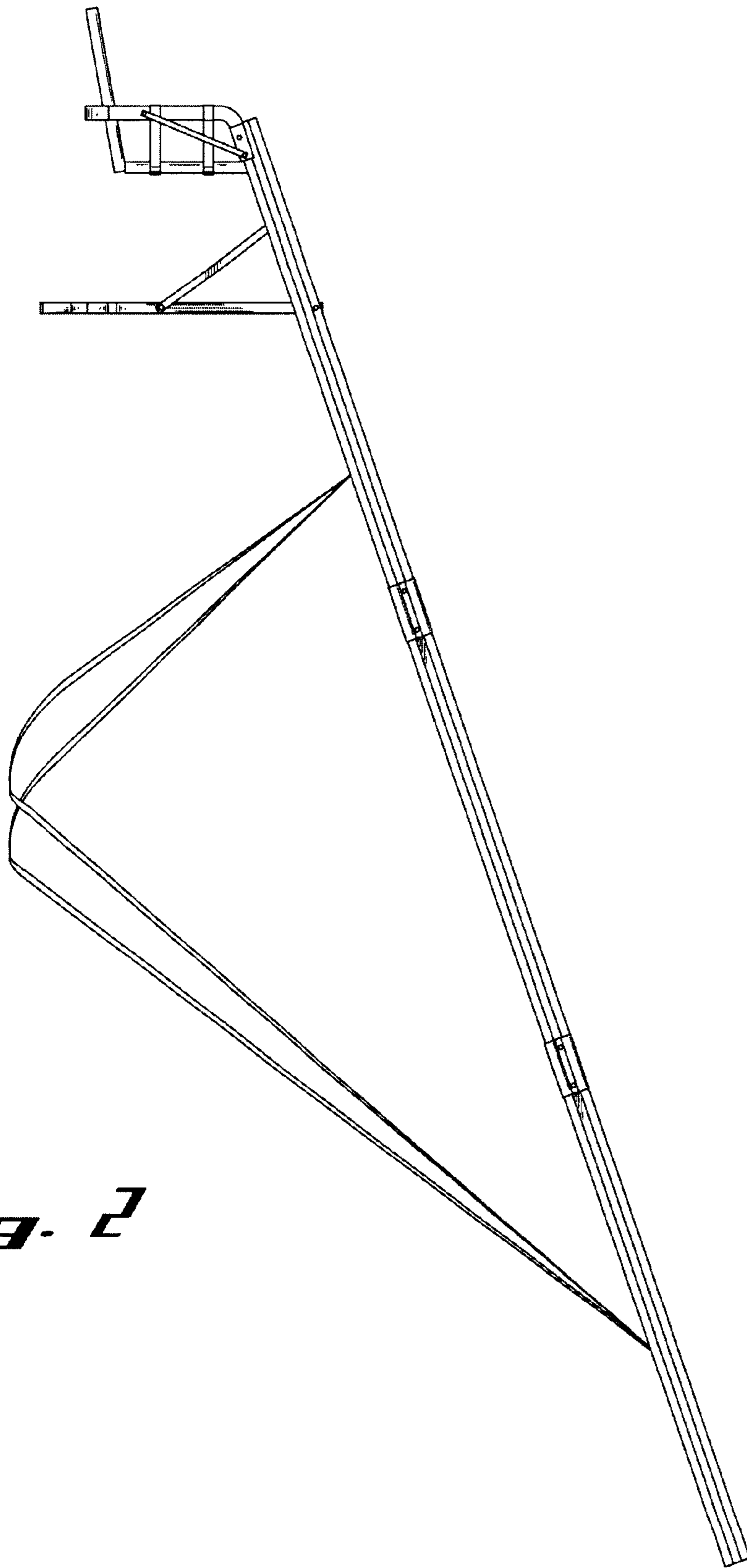
**U.S. PATENT DOCUMENTS**

591,418 A	10/1897	Noyes
1,005,032 A	10/1911	Hennessee
1,231,037 A	6/1917	McGaffee
2,296,336 A	9/1942	Crozier
2,552,630 A	5/1951	Hutchinson
2,810,504 A	10/1957	Pula
3,703,939 A	11/1972	Maxwell
4,069,892 A	1/1978	Lynne et al.
4,258,828 A	3/1981	Evans
4,261,436 A	4/1981	Stillman, Jr.
4,411,335 A	10/1983	Forrester
4,552,246 A	11/1985	Thomas
4,674,597 A	6/1987	Humphrey
4,844,207 A	7/1989	Andrews et al.
4,892,170 A	1/1990	O'Donnell
4,953,662 A	9/1990	Porter
5,040,635 A	8/1991	Strickland
5,080,193 A	1/1992	Woof

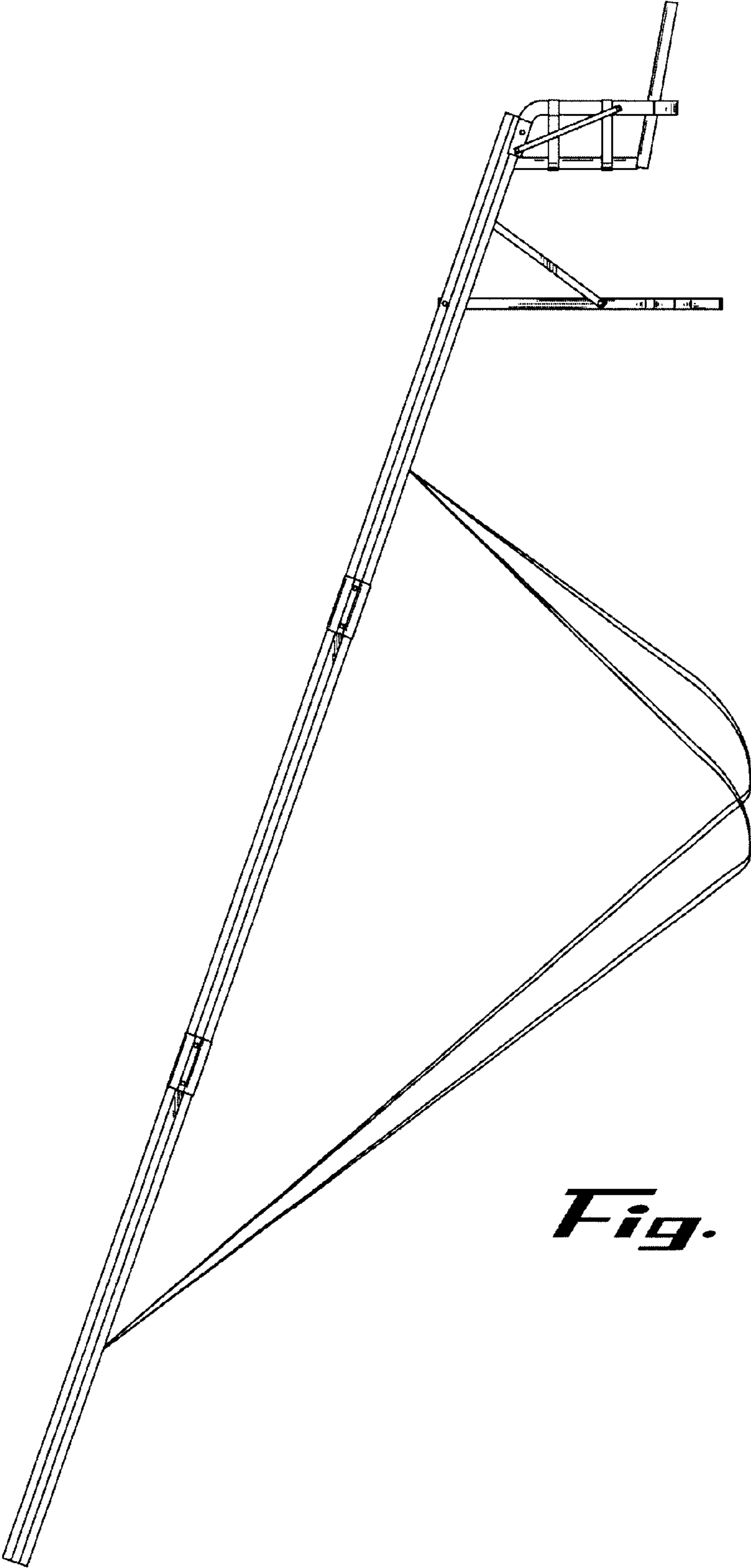




*Fig. 1*

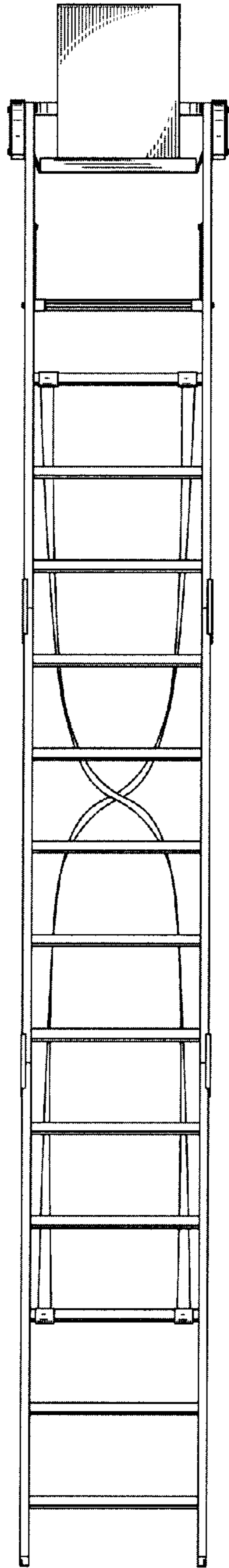


*Fig. 2*

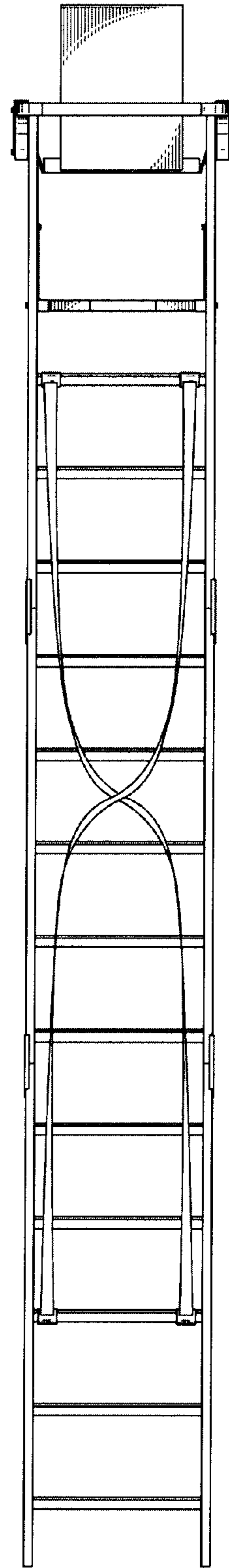


*Fig. 3*

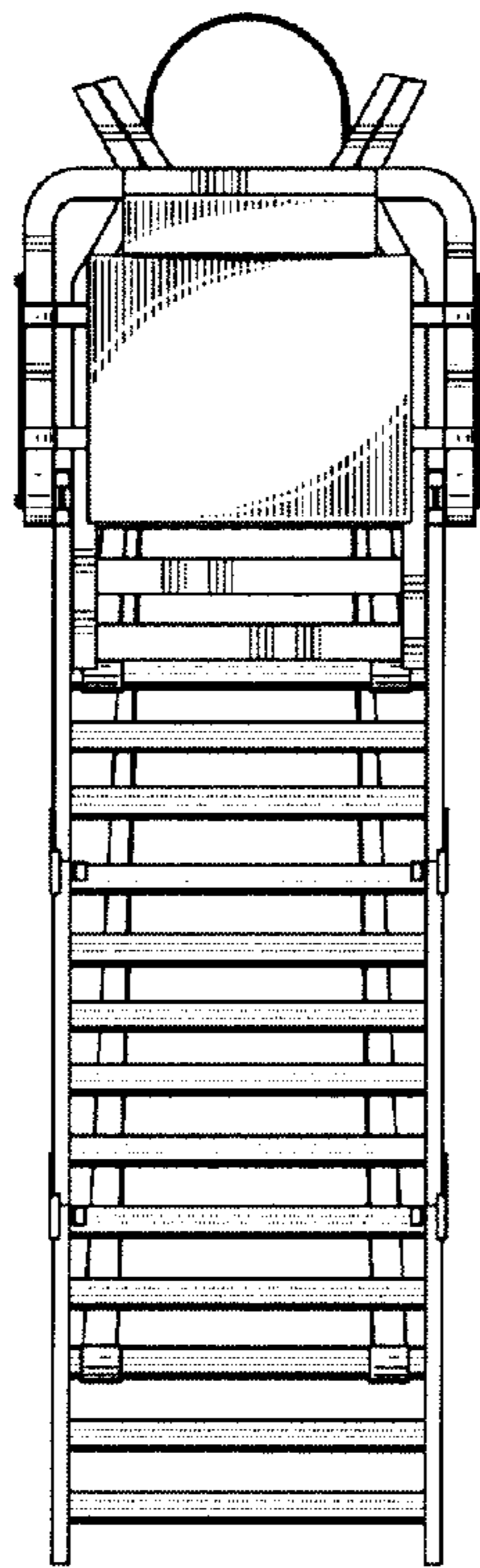




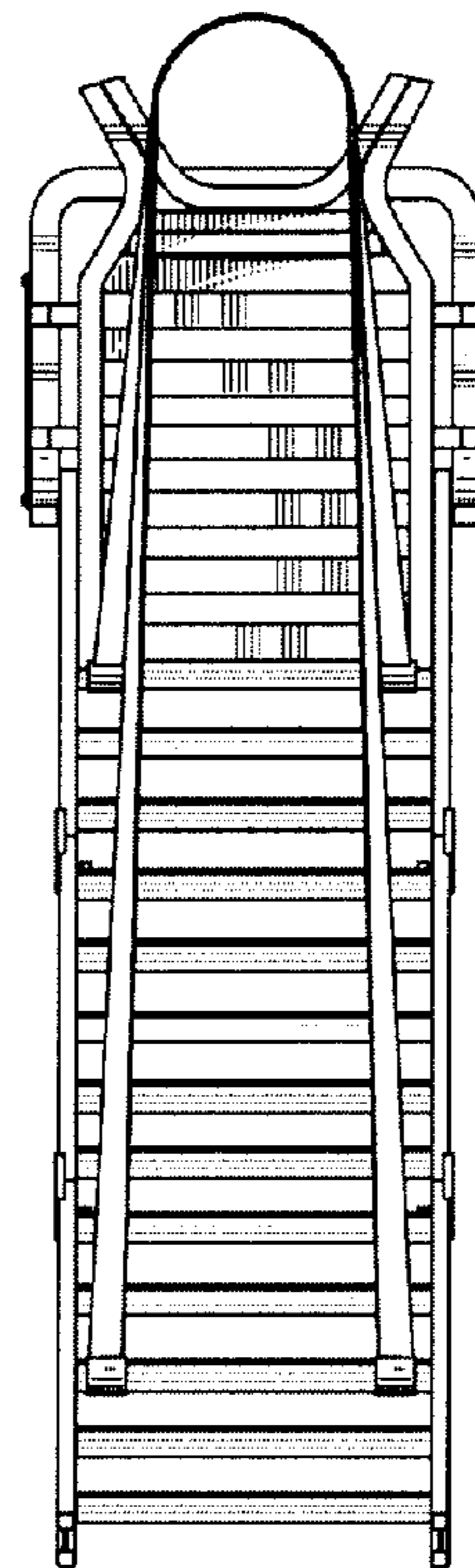
*Fig. 4*



*Fig. 5*



*Fig. 6*



*Fig. 7*