



US00D540472S

(12) **United States Design Patent**  
**Van Es**

(10) **Patent No.:** **US D540,472 S**

(45) **Date of Patent:** **\*\* Apr. 10, 2007**

(54) **PEAKED CART CORRAL**

(76) **Inventor:** **Anton Van Es**, c/o 4664 Ontario Street,  
Beamsville, Ontario (CA), L0R 1B4

(\*\*) **Term:** **14 Years**

(21) **Appl. No.:** **29/254,195**

(22) **Filed:** **Feb. 21, 2006**

(51) **LOC (8) Cl.** ..... **25-03**

(52) **U.S. Cl.** ..... **D25/22**

(58) **Field of Classification Search** ..... D25/18,  
D25/22, 50, 38, 39; 211/17, 22; 52/33; 194/905;  
D6/462

See application file for complete search history.

(56) **References Cited**

**U.S. PATENT DOCUMENTS**

4,236,697 A \* 12/1980 Savino ..... 256/1  
D274,653 S \* 7/1984 Peiren ..... D25/1

D361,448 S \* 8/1995 Buckley ..... D6/462  
5,551,578 A \* 9/1996 McCue et al. .... 211/17  
D376,854 S \* 12/1996 DiPaolo et al. .... D25/18  
D402,375 S \* 12/1998 Cook ..... D25/38  
6,581,616 B1 \* 6/2003 Venegas, Jr. .... 135/121  
D487,949 S \* 3/2004 Unnerstall et al. .... D34/17

\* cited by examiner

*Primary Examiner*—Doris Clark

(57) **CLAIM**

The ornamental design for a peaked cart corral, as shown.

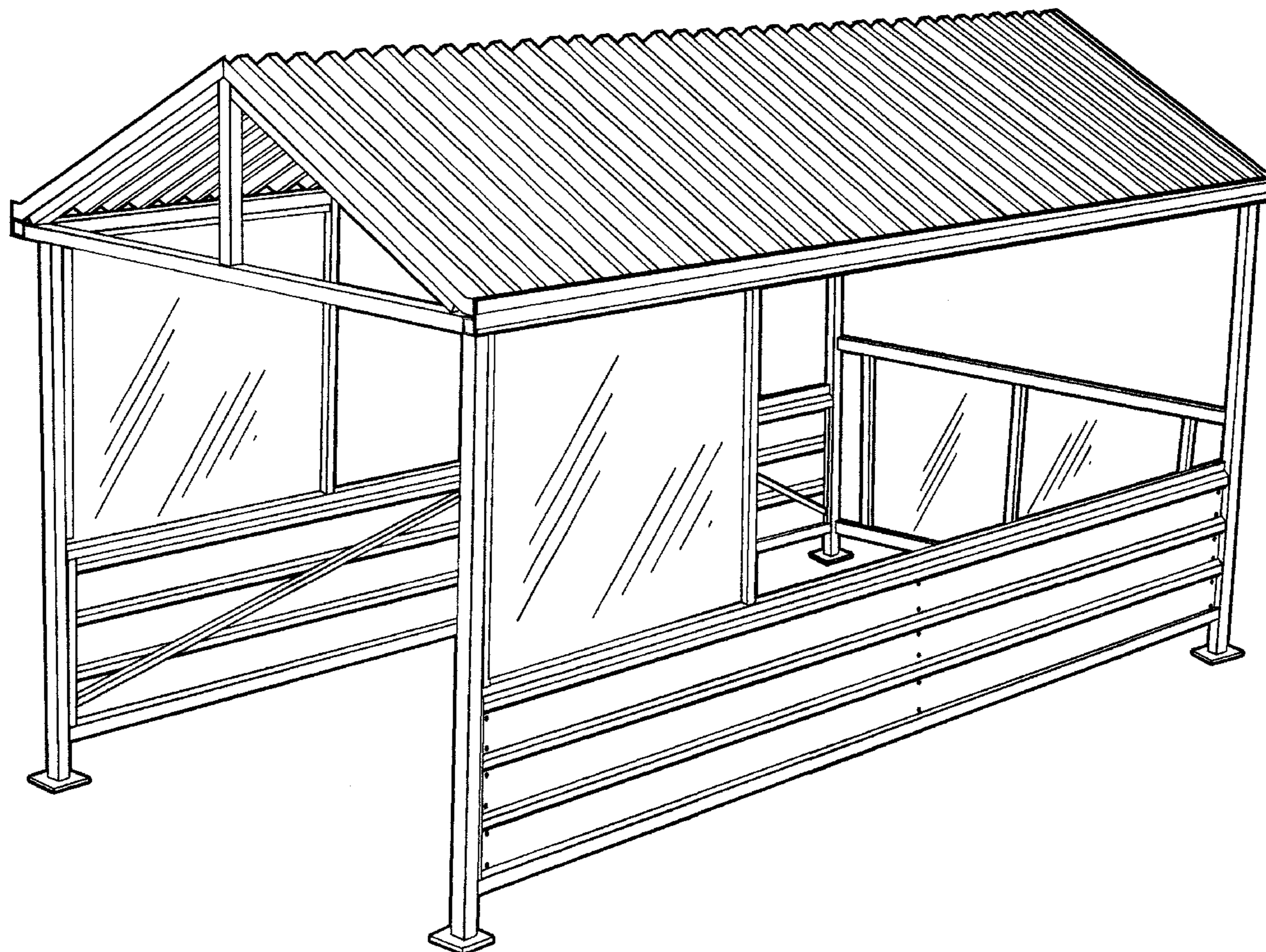
**DESCRIPTION**

FIG. 1 is a front perspective view of the present design a peaked cart corral.

FIG. 2 is a side elevational view of the present design a peaked cart corral; and,

FIG. 3 is a rear elevational plan view of the present design a peaked cart corral.

**1 Claim, 3 Drawing Sheets**



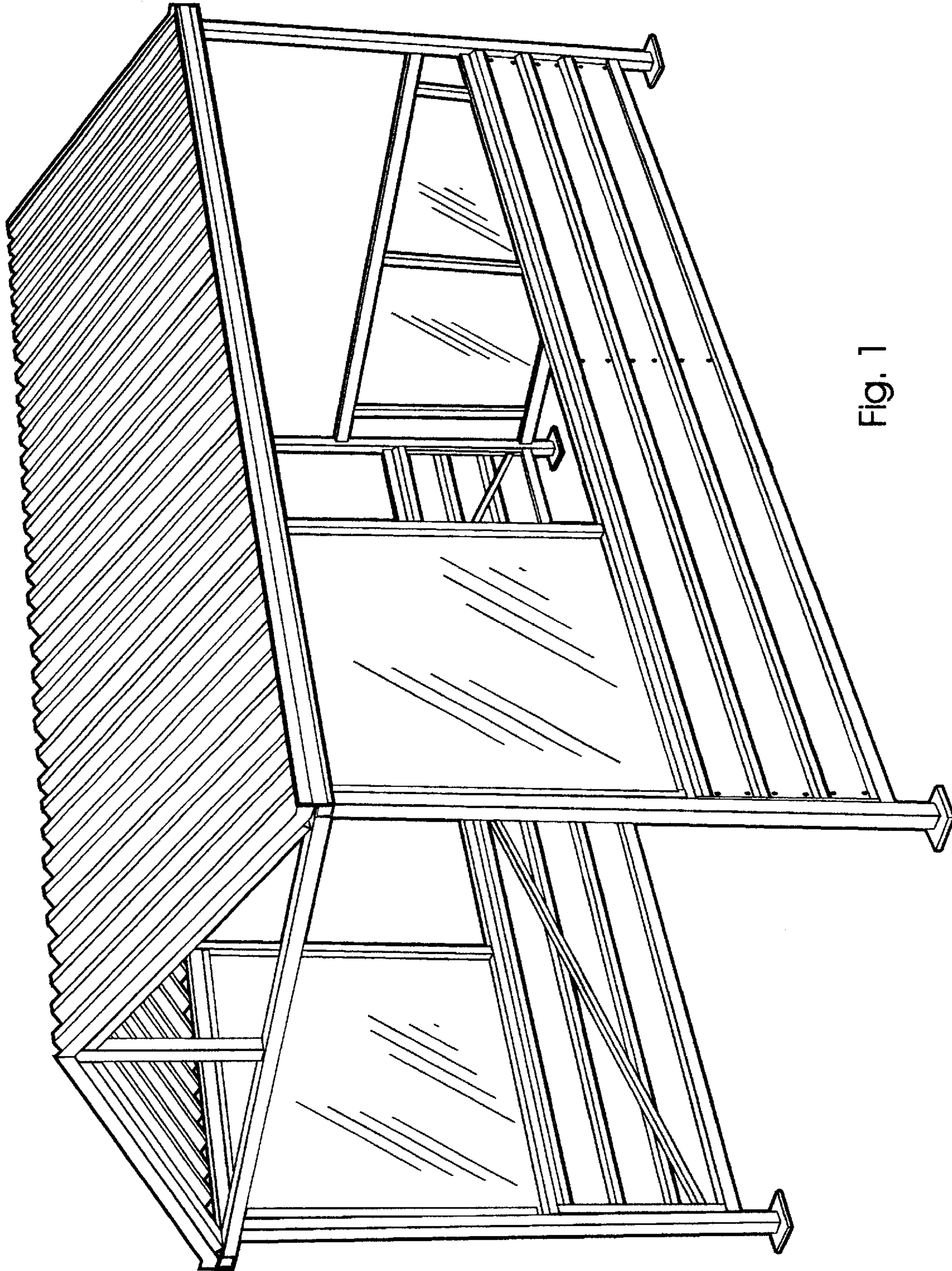


Fig. 1

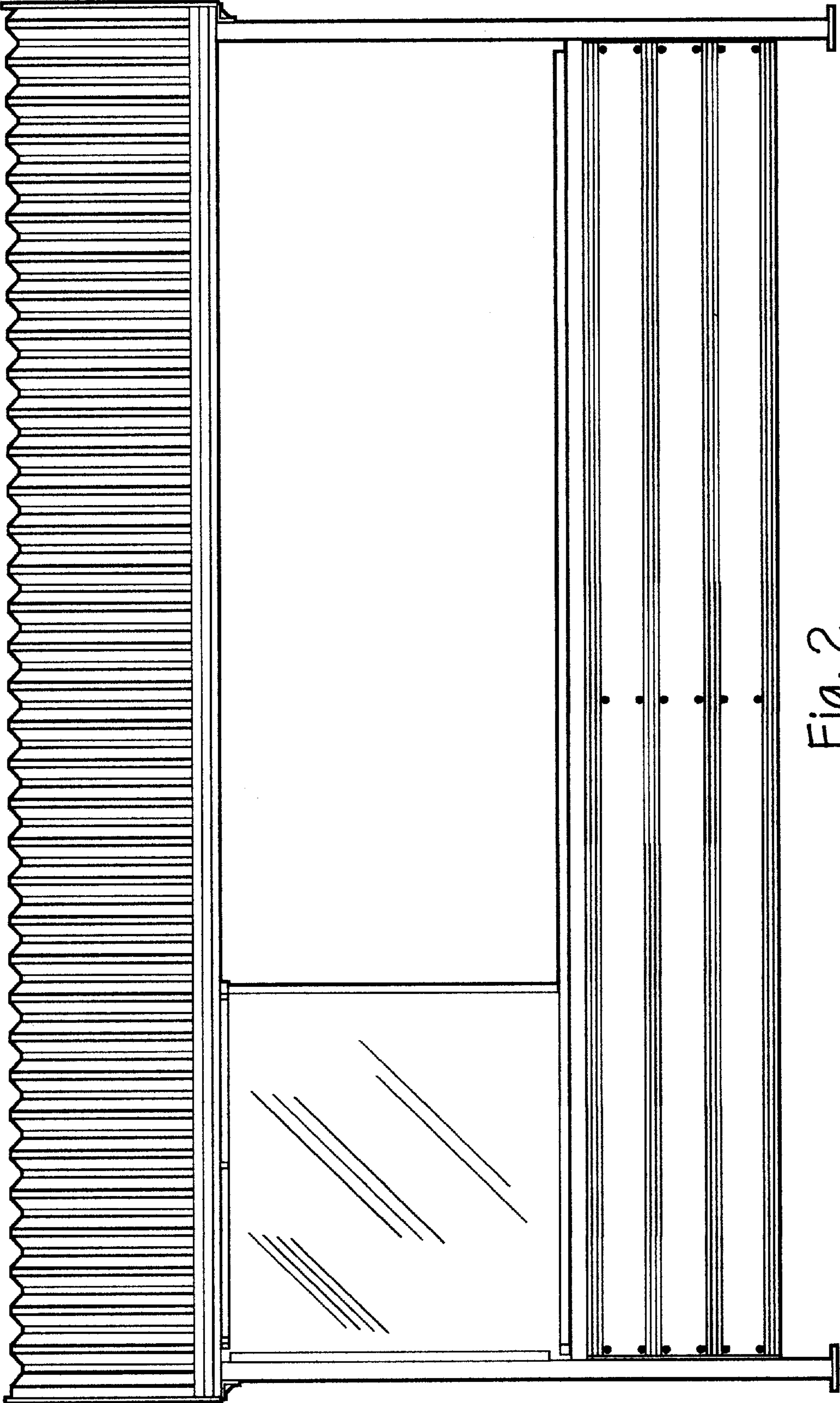


Fig. 2

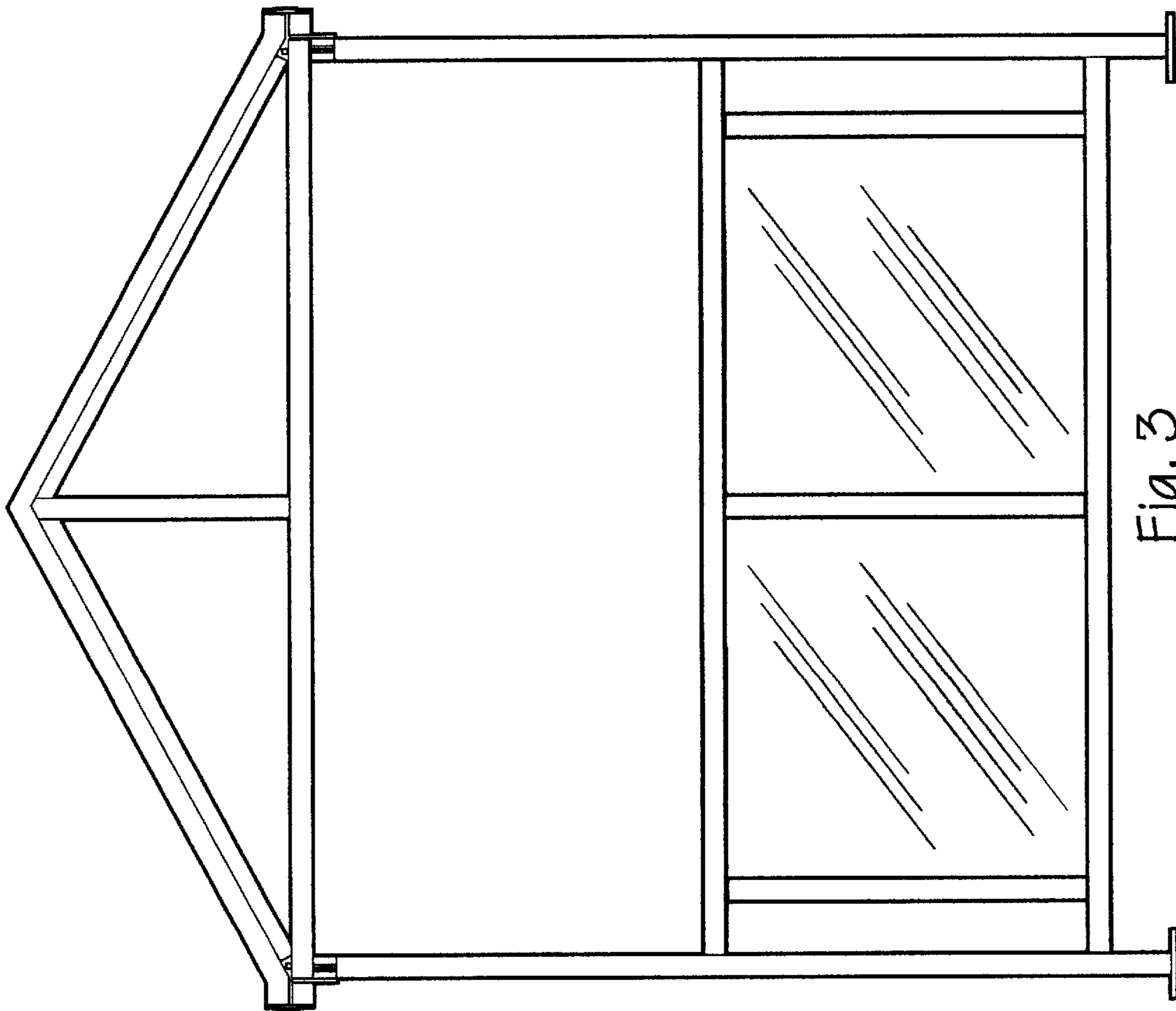


Fig. 3