



US00D540470S

(12) **United States Design Patent** (10) **Patent No.:** **US D540,470 S**
Boone et al. (45) **Date of Patent:** **** Apr. 10, 2007**

(54) **ADHESIVE DISPENSER/APPLICATOR DEVICE**

(75) Inventors: **Eric J. Boone**, St. Michael, MN (US);
Gardner J. Klaasen, Ada, MI (US)

(73) Assignee: **Closure Medical Corporation**,
Raleigh, NC (US)

(**) Term: **14 Years**

(21) Appl. No.: **29/212,559**

(22) Filed: **Sep. 3, 2004**

(51) **LOC (8) Cl.** **24-02**

(52) **U.S. Cl.** **D24/133**

(58) **Field of Classification Search** D24/144,
D24/145, 133; D19/53, 54, 55, 66, 69; D9/337;
222/80; 156/577; 604/3, 904; 606/41, 43,
606/44

See application file for complete search history.

(56) **References Cited**

U.S. PATENT DOCUMENTS

D145,586 S	9/1946	Reynolds	
D155,031 S	8/1949	Patterson	
3,797,488 A	3/1974	Hirschman et al.	
4,543,005 A	9/1985	Kuboshima	
4,581,021 A	4/1986	Landau et al.	
4,640,637 A	2/1987	Winthrop	
4,813,870 A	3/1989	Pitzen et al.	
4,960,340 A	10/1990	Tamiya et al.	
5,171,149 A	12/1992	Alpert	
5,193,928 A	3/1993	Balzer et al.	
5,308,180 A	5/1994	Pournoor et al.	
5,358,349 A	* 10/1994	Burroughs et al.	401/184
5,445,462 A	8/1995	Johnson et al.	
5,658,084 A	8/1997	Wirt	
5,791,801 A	8/1998	Miller	
5,928,611 A	7/1999	Leung	
6,099,807 A	8/2000	Leung	

(Continued)

Primary Examiner—Antoine D. Davis
Assistant Examiner—Christopher Lee

(57) **CLAIM**

The ornamental design for an adhesive dispenser/applicator device, as shown and described.

DESCRIPTION

FIG. 1 is a front/top perspective view of an adhesive dispenser/applicator device showing our design, the broken lines showing of the hole and the cap define the bounds of the claimed design but does not form part of the claimed design;

FIG. 2 is a left side elevational view of the design of FIG. 1, the right side is a mirror image;

FIG. 3 is a top plan view of the design of FIG. 1;

FIG. 4 is a bottom plan view of the design of FIG. 1;

FIG. 5 is a front end view of the design of FIG. 1;

FIG. 6 is a rear end view of the design of FIG. 1;

FIG. 7 is another front/top perspective view of an adhesive dispenser/applicator device showing our design, the broken lines showing of the hole and the cap define the bounds of the claimed design but does not form part of the claimed design;

FIG. 8 is a left side elevational view of the design of FIG. 7, the right side is a mirror image;

FIG. 9 is a top plan view of the design of FIG. 7;

FIG. 10 is a bottom plan view of the design of FIG. 7;

FIG. 11 is a front end view of the design of FIG. 7;

FIG. 12 is a rear end view of the design of FIG. 7;

FIG. 13 is another front/top perspective view of an adhesive dispenser/applicator device showing our design, the broken lines showing of the hole and the cap define the bounds of the claimed design but does not form part of the claimed design;

FIG. 14 is a left side elevational view of the design of FIG. 13, the right side is a mirror image;

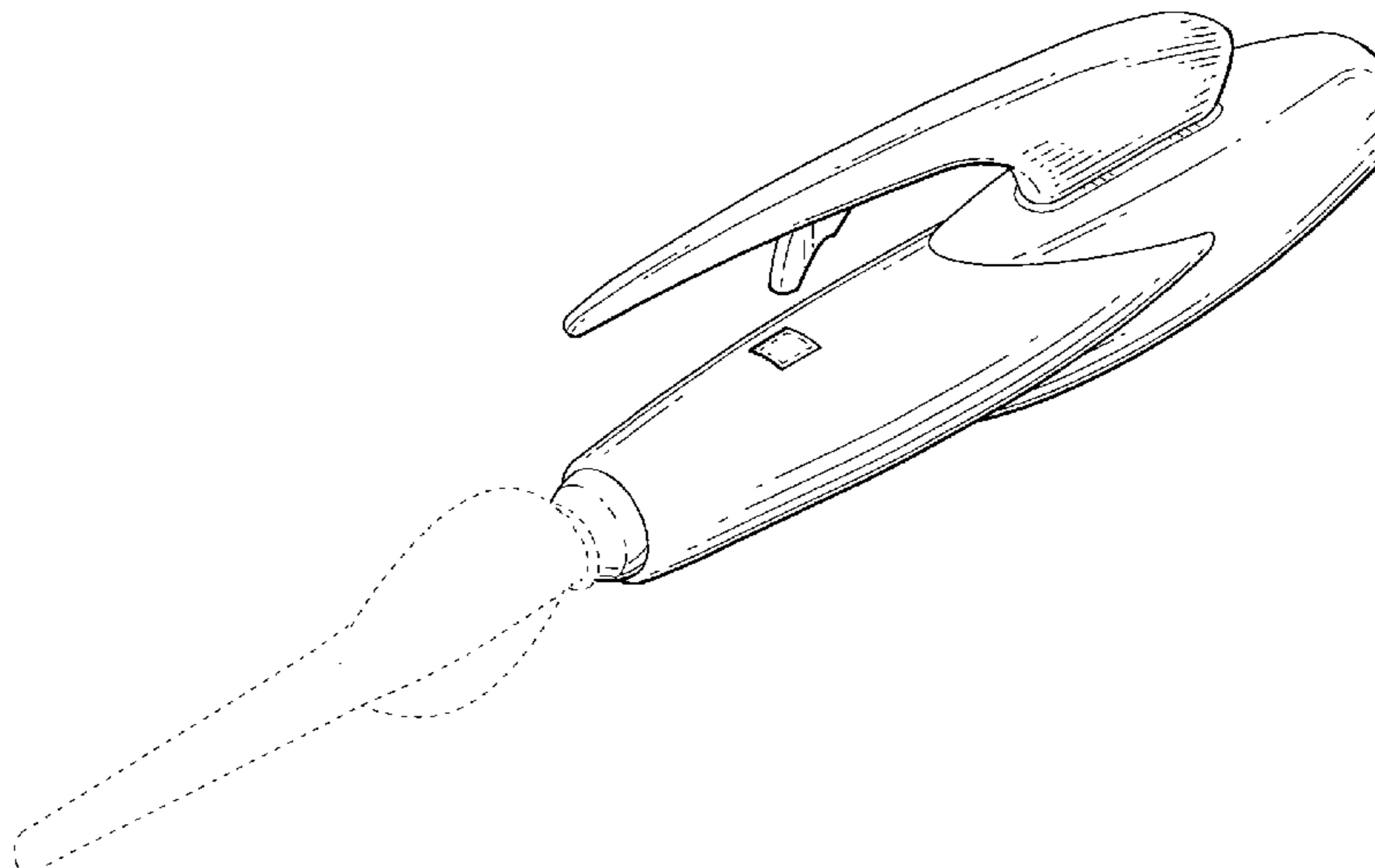
FIG. 15 is a top plan view of the design of FIG. 13;

FIG. 16 is a bottom plan view of the design of FIG. 13;

FIG. 17 is a front end view of the design of FIG. 13; and,

FIG. 18 is a rear end view of the design of FIG. 13.

1 Claim, 9 Drawing Sheets



US D540,470 S

Page 2

U.S. PATENT DOCUMENTS

D443,303 S	6/2001	Ashe	6,705,790 B2	3/2004	Quintero et al.
6,283,933 B1	9/2001	D'Alessio et al.	D491,986 S *	6/2004	Bain D19/69
6,328,715 B1	12/2001	Dragan et al.	D500,085 S *	12/2004	Cotter et al. D19/66
6,340,097 B1	1/2002	D'Alessio et al.	2001/0031170 A1	10/2001	Voiers et al.
6,371,675 B1	4/2002	Hoang et al.	2002/0076255 A1	6/2002	Hoang et al.
6,425,704 B2	7/2002	Voiers et al.	2002/0108875 A1	8/2002	Feinberg et al.
6,447,476 B1	9/2002	Sogaro	2003/0060746 A1	3/2003	Mark
6,478,191 B1	11/2002	D'Alessio et al.	2003/0063944 A1	4/2003	Leung
D471,586 S	3/2003	Geiselhart et al.	2003/0077386 A1	4/2003	Azevedo
D472,578 S	4/2003	Plantz et al.	2003/0080151 A1	5/2003	D'Alessio et al.
6,547,467 B2	4/2003	Quintero	2003/0186005 A1	10/2003	Rivera et al.
6,595,940 B1	7/2003	D'Alessio et al.	2006/0049203 A1 *	3/2006	Boone et al. 222/80

* cited by examiner

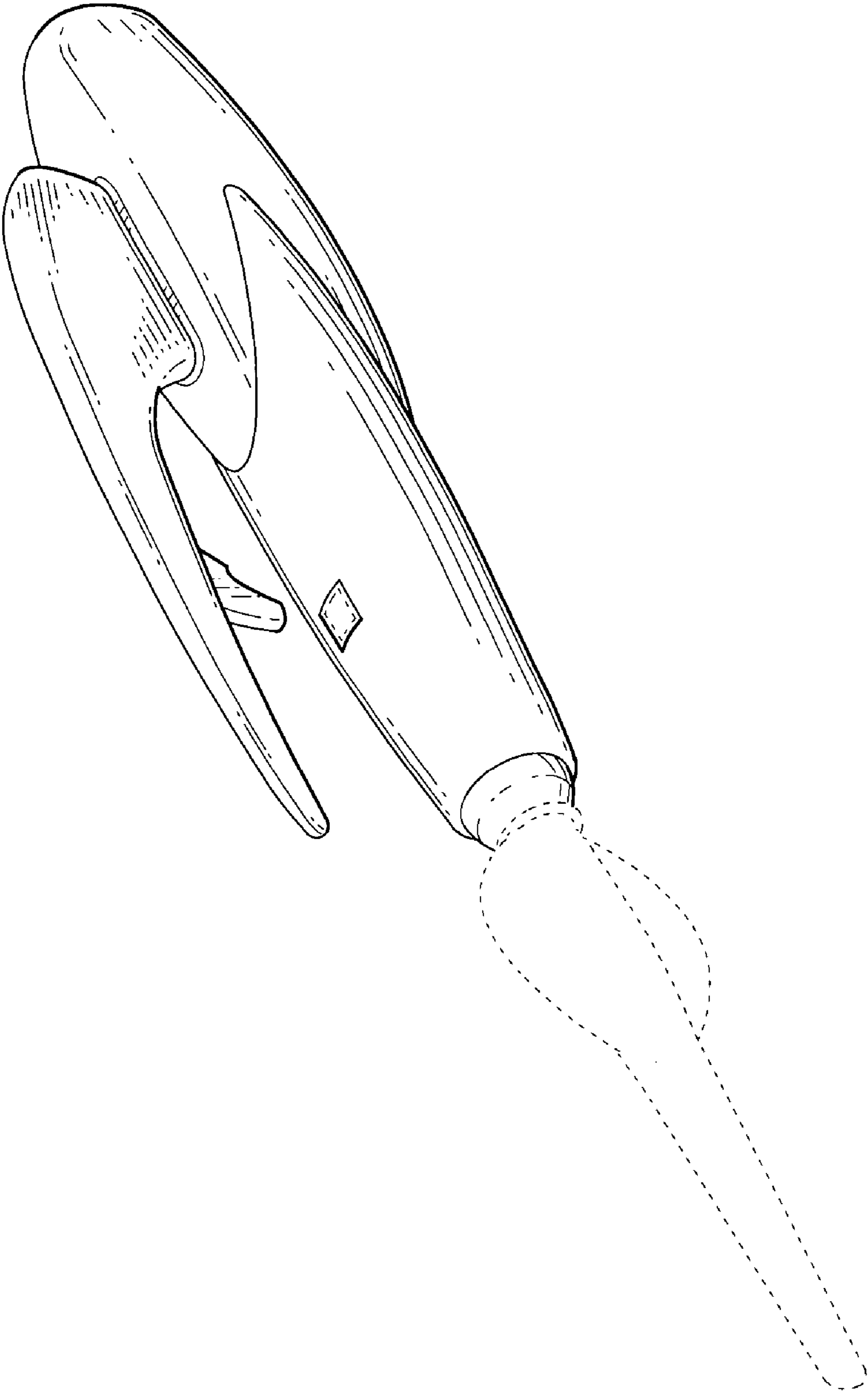


FIG. 1

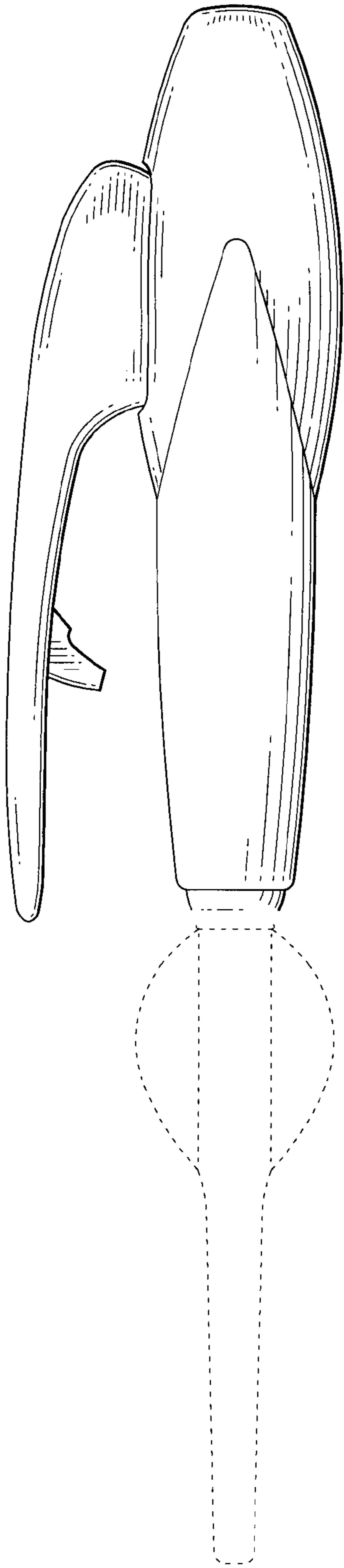


FIG. 2

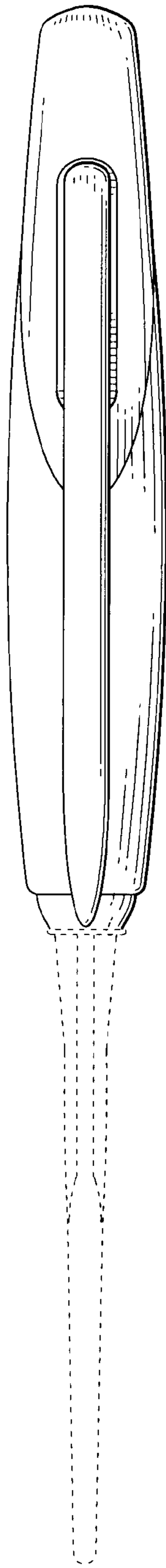


FIG. 3

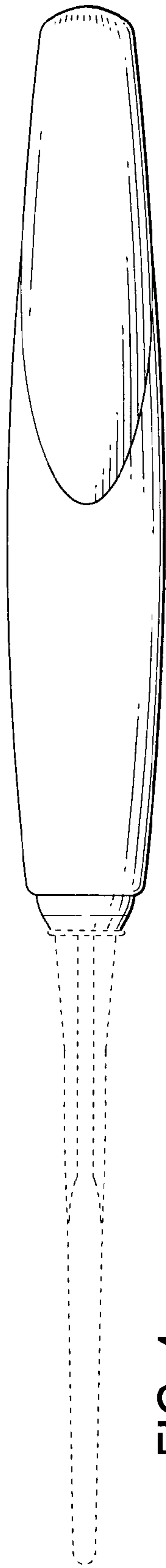


FIG. 4

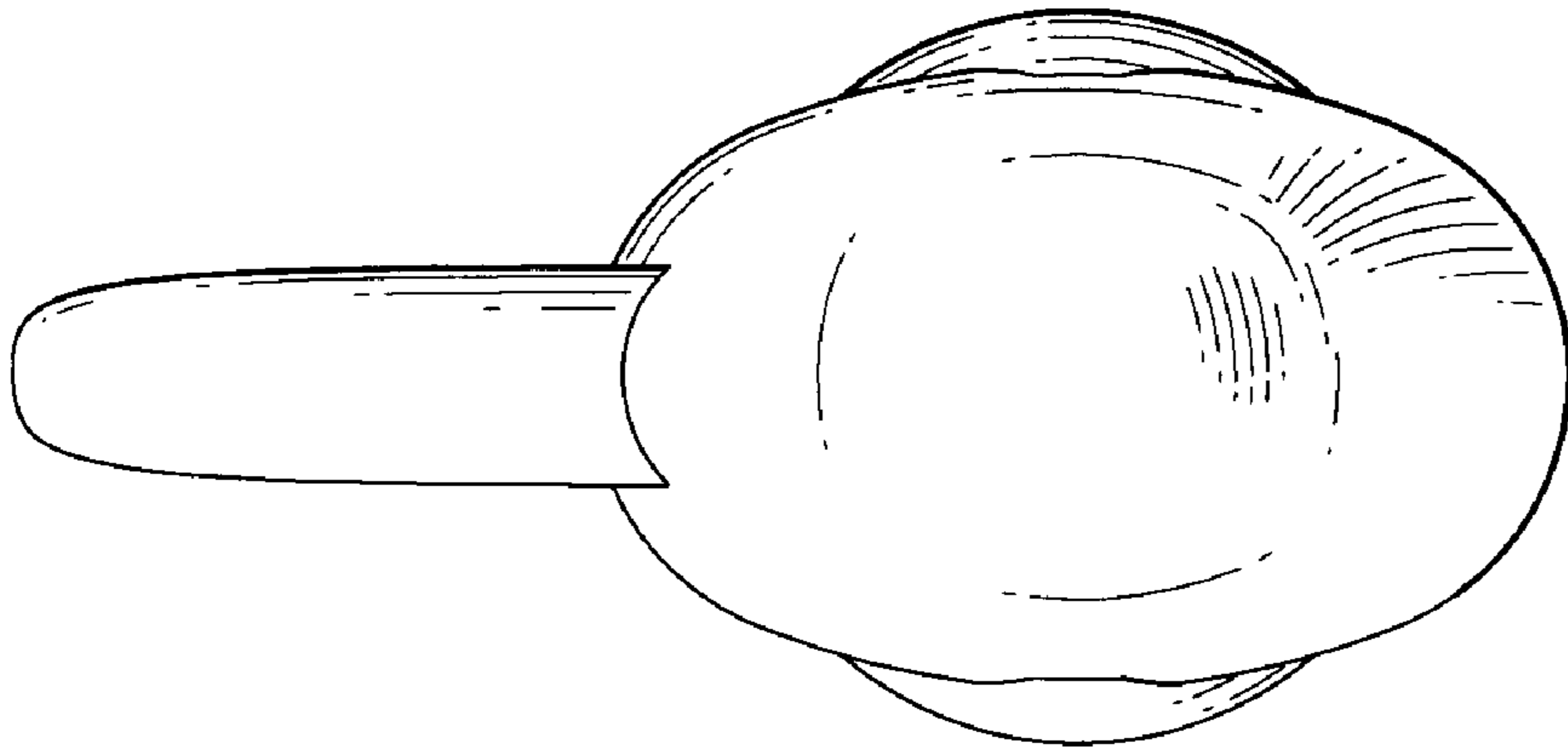


FIG. 6

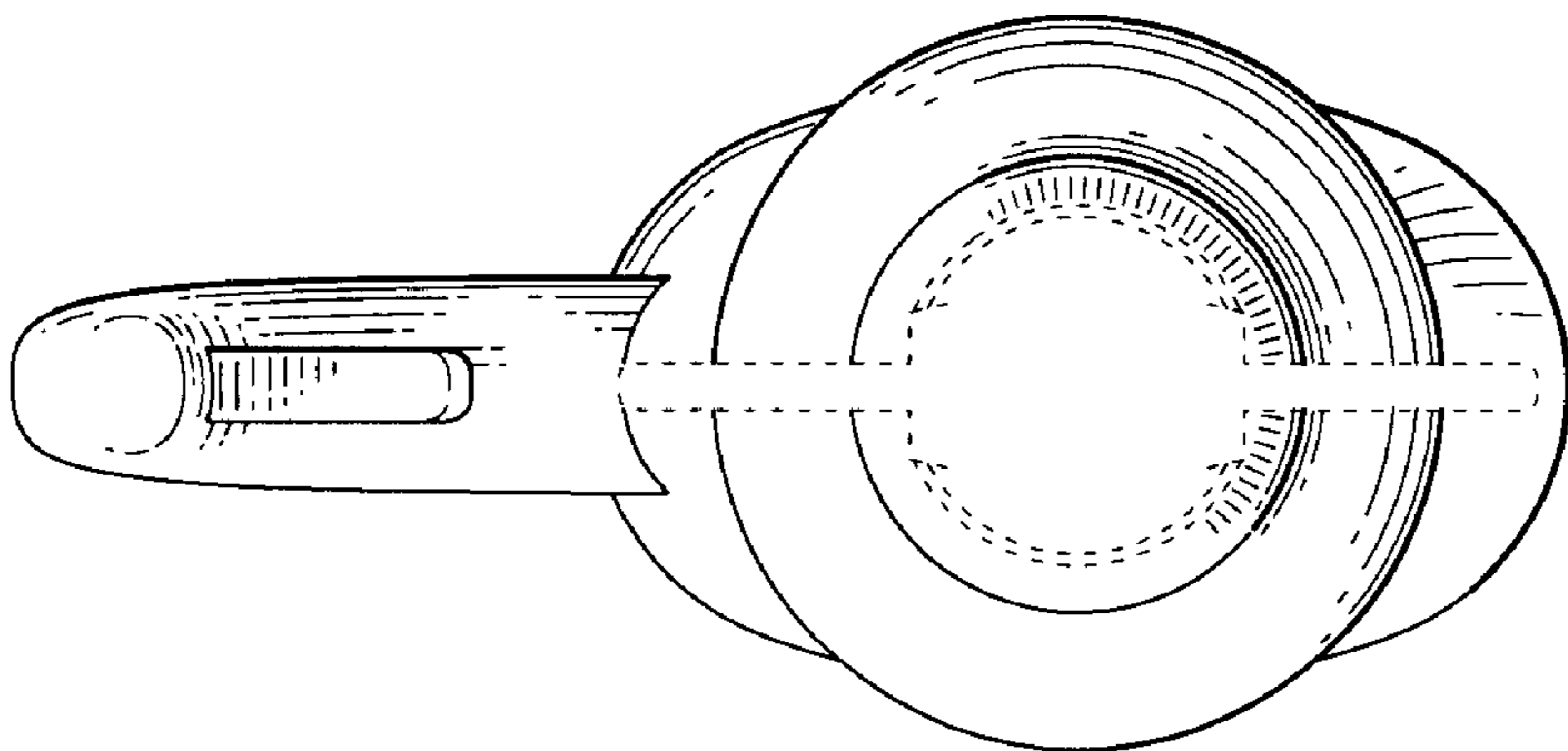


FIG. 5

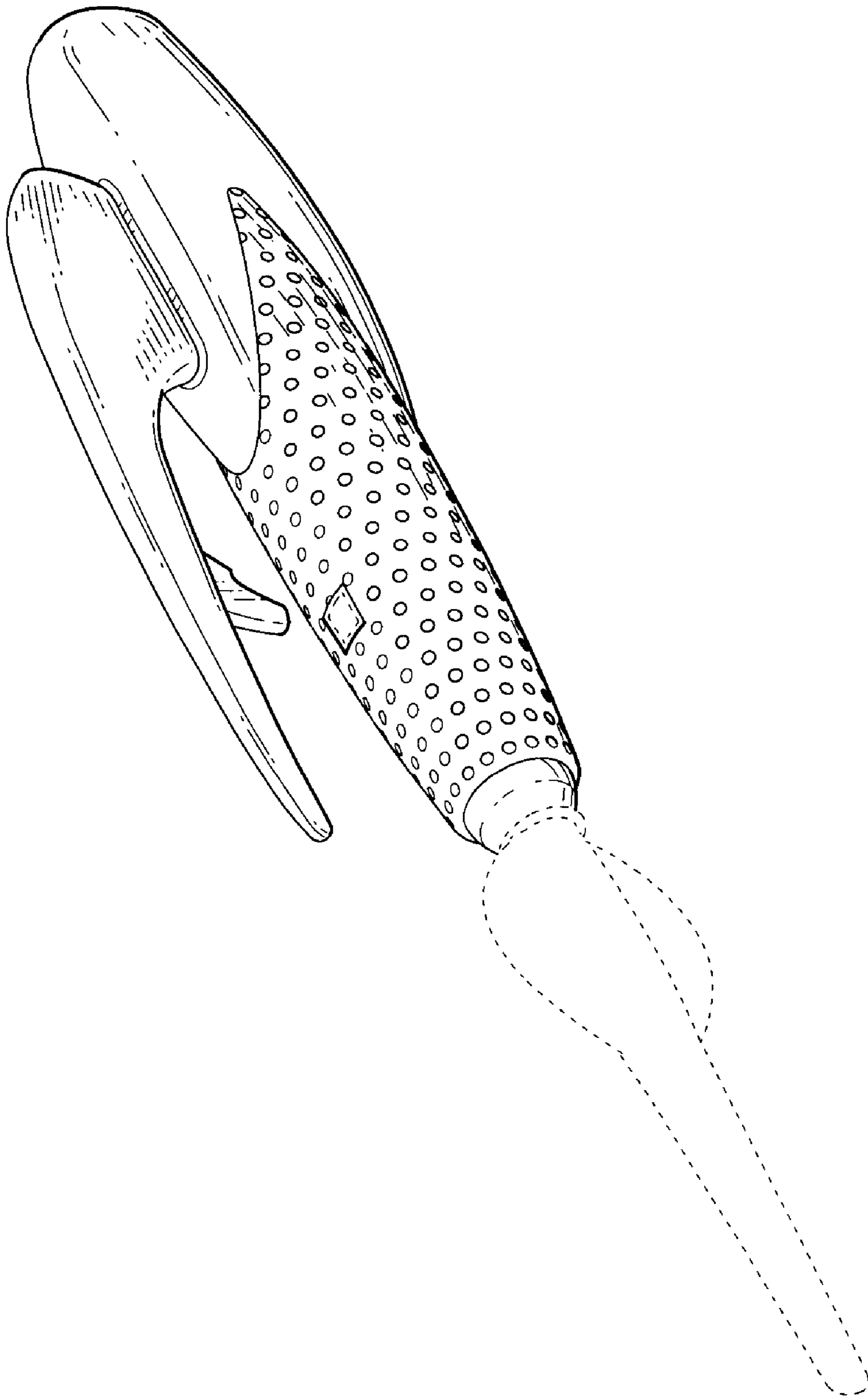


FIG. 7

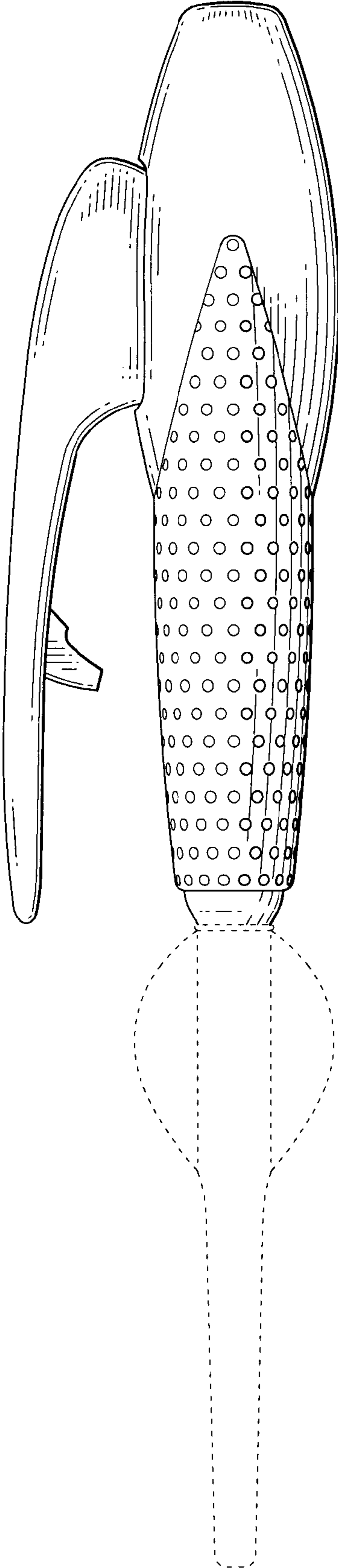


FIG. 8

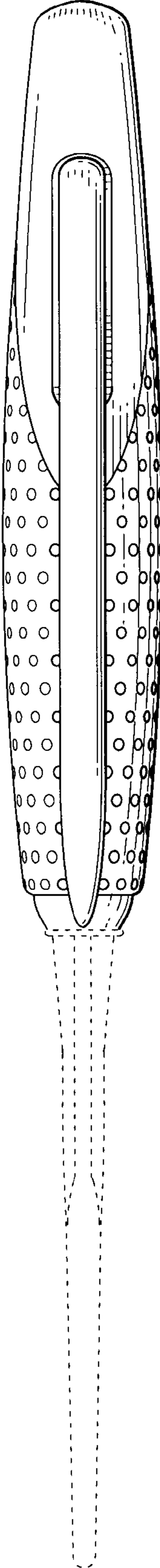


FIG. 9

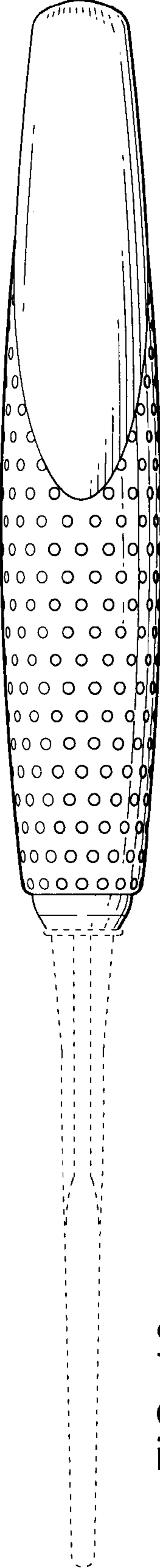


FIG. 10

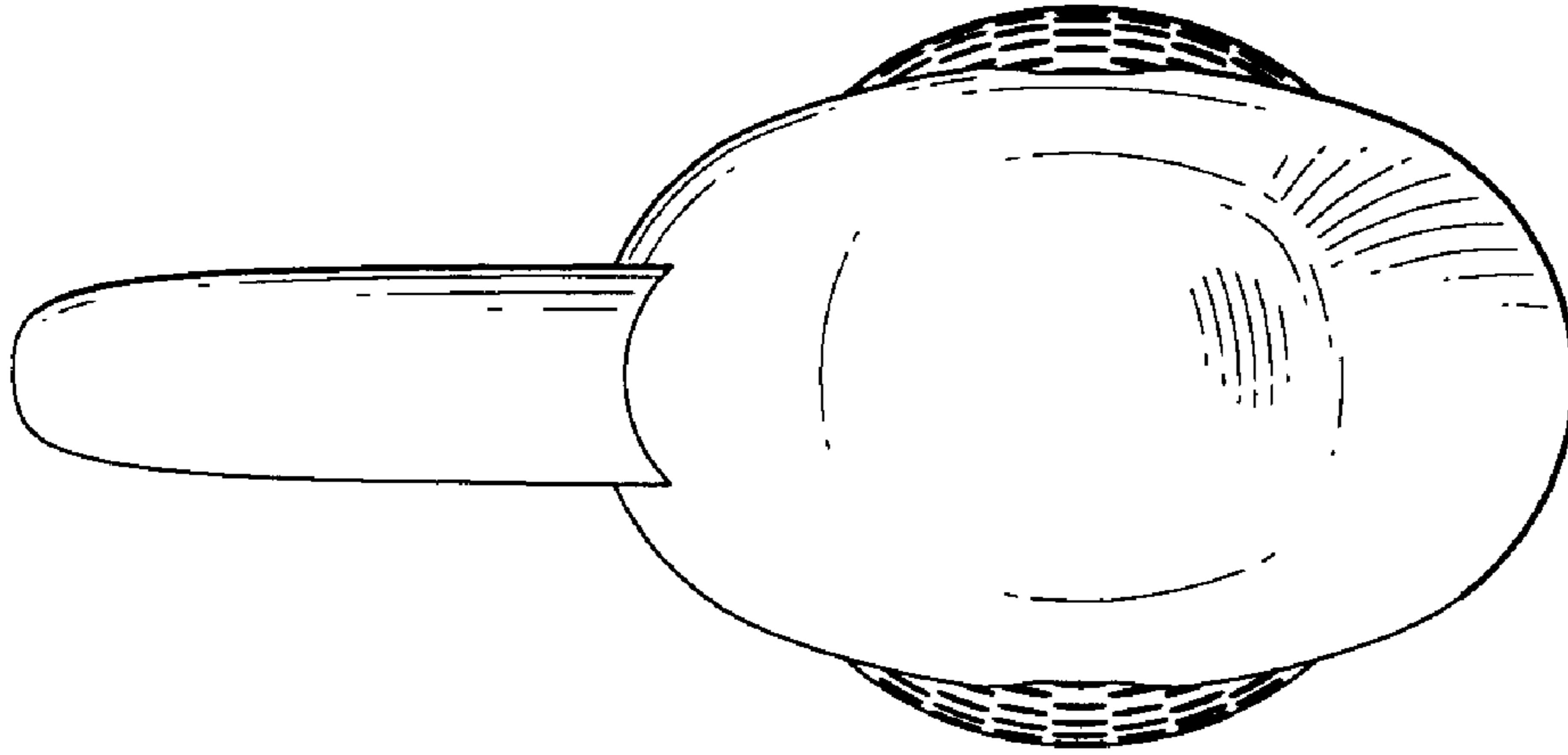


FIG. 12

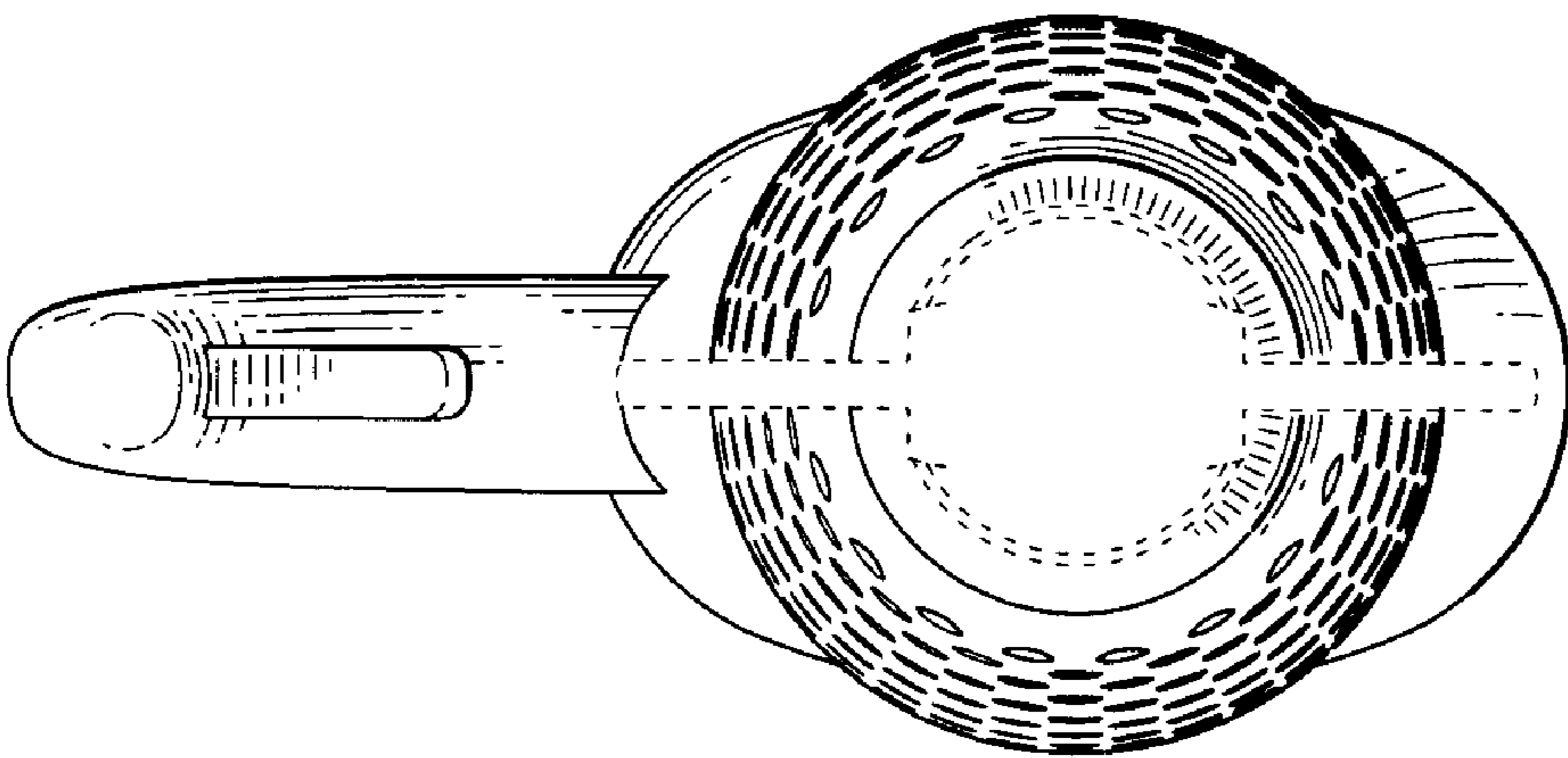


FIG. 11

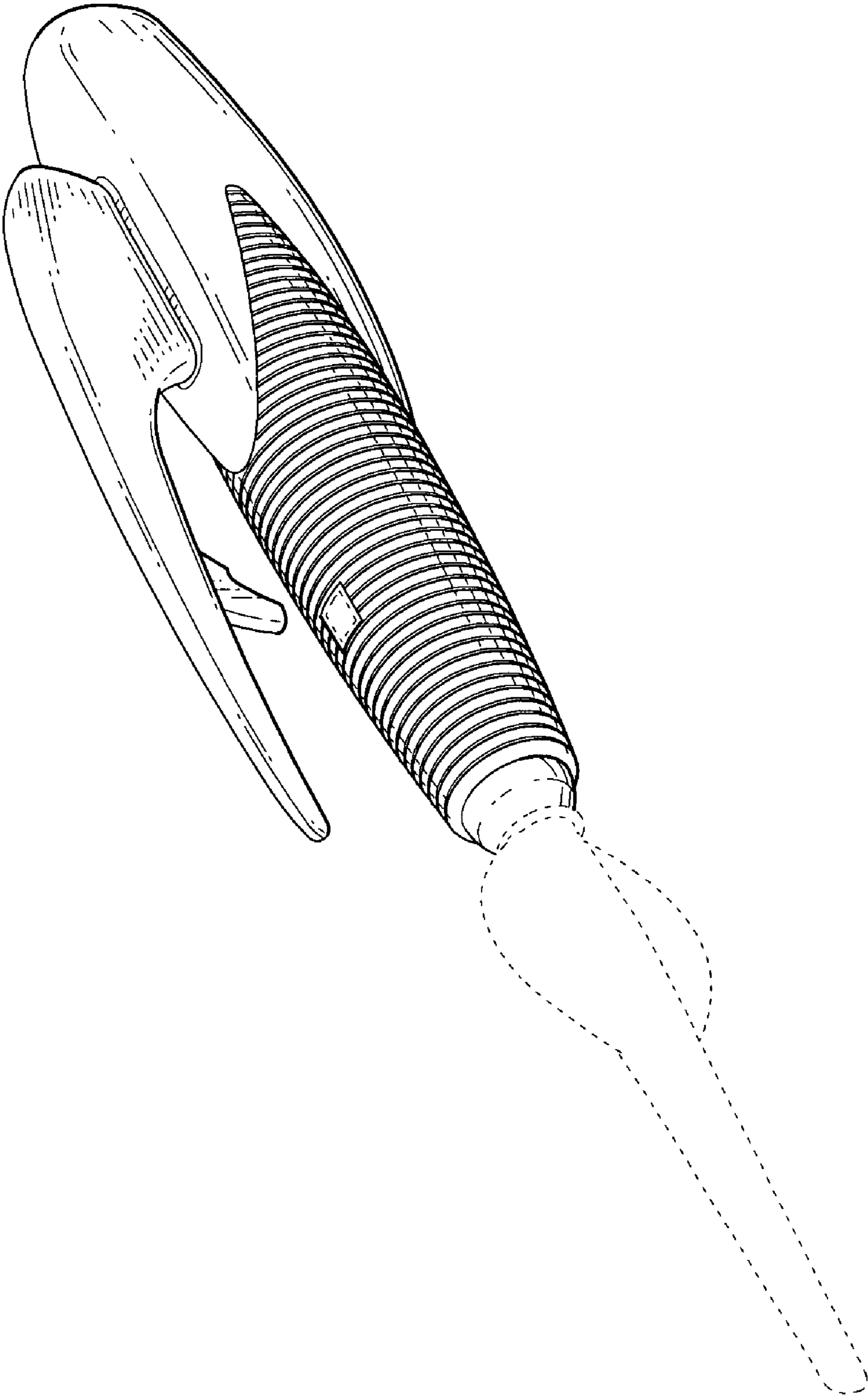


FIG. 13

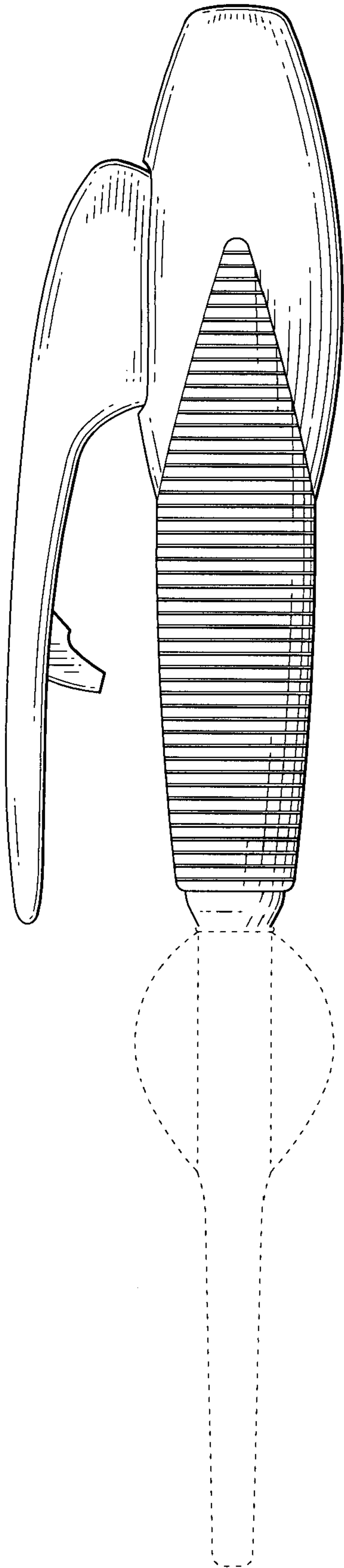


FIG. 14

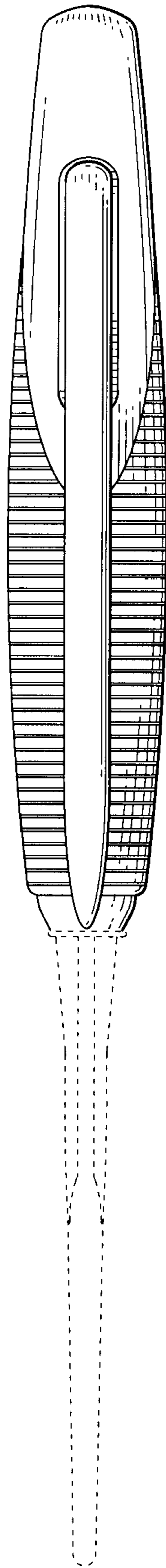


FIG. 15

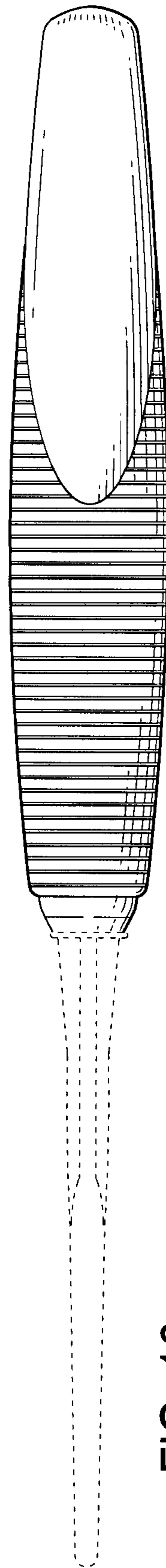


FIG. 16

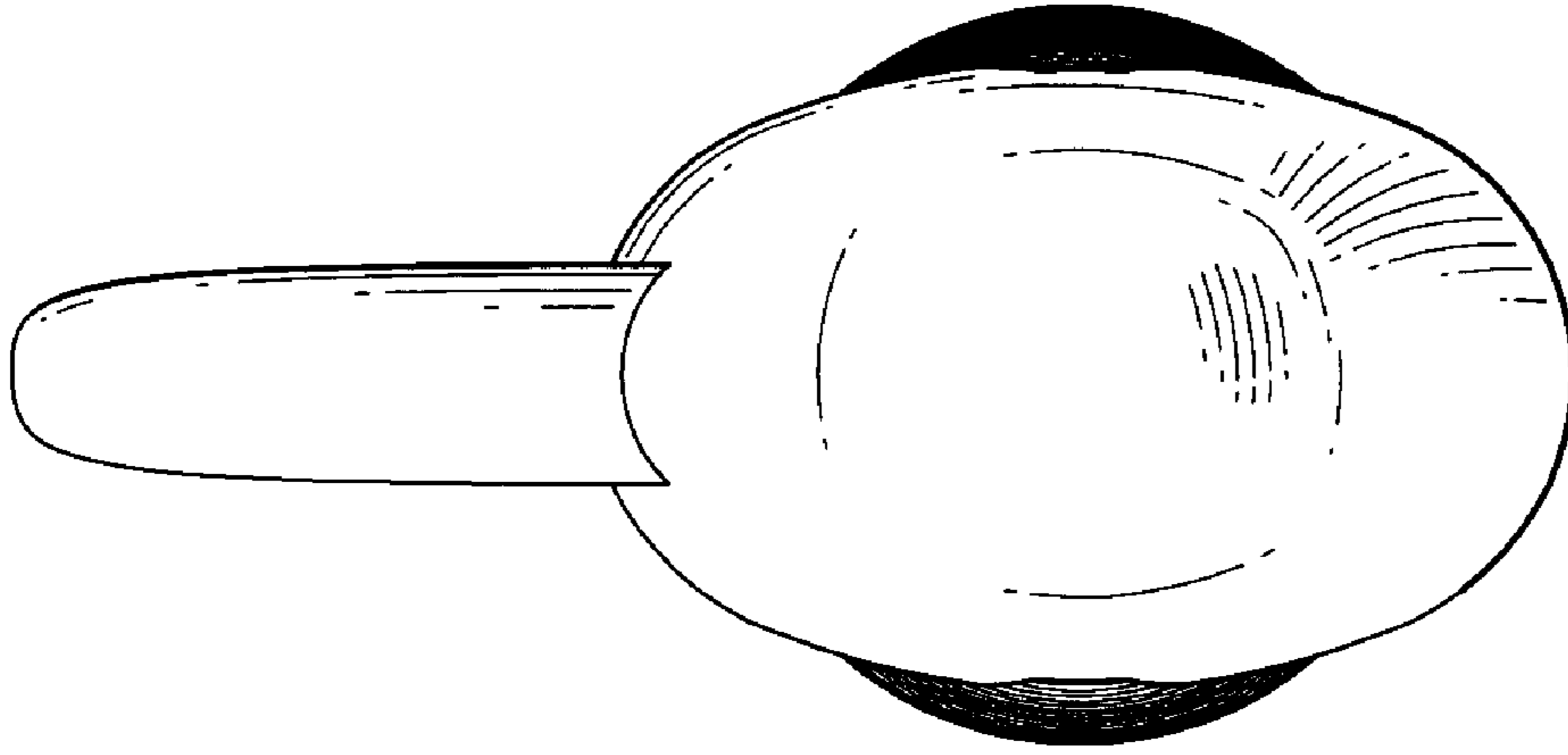


FIG. 18

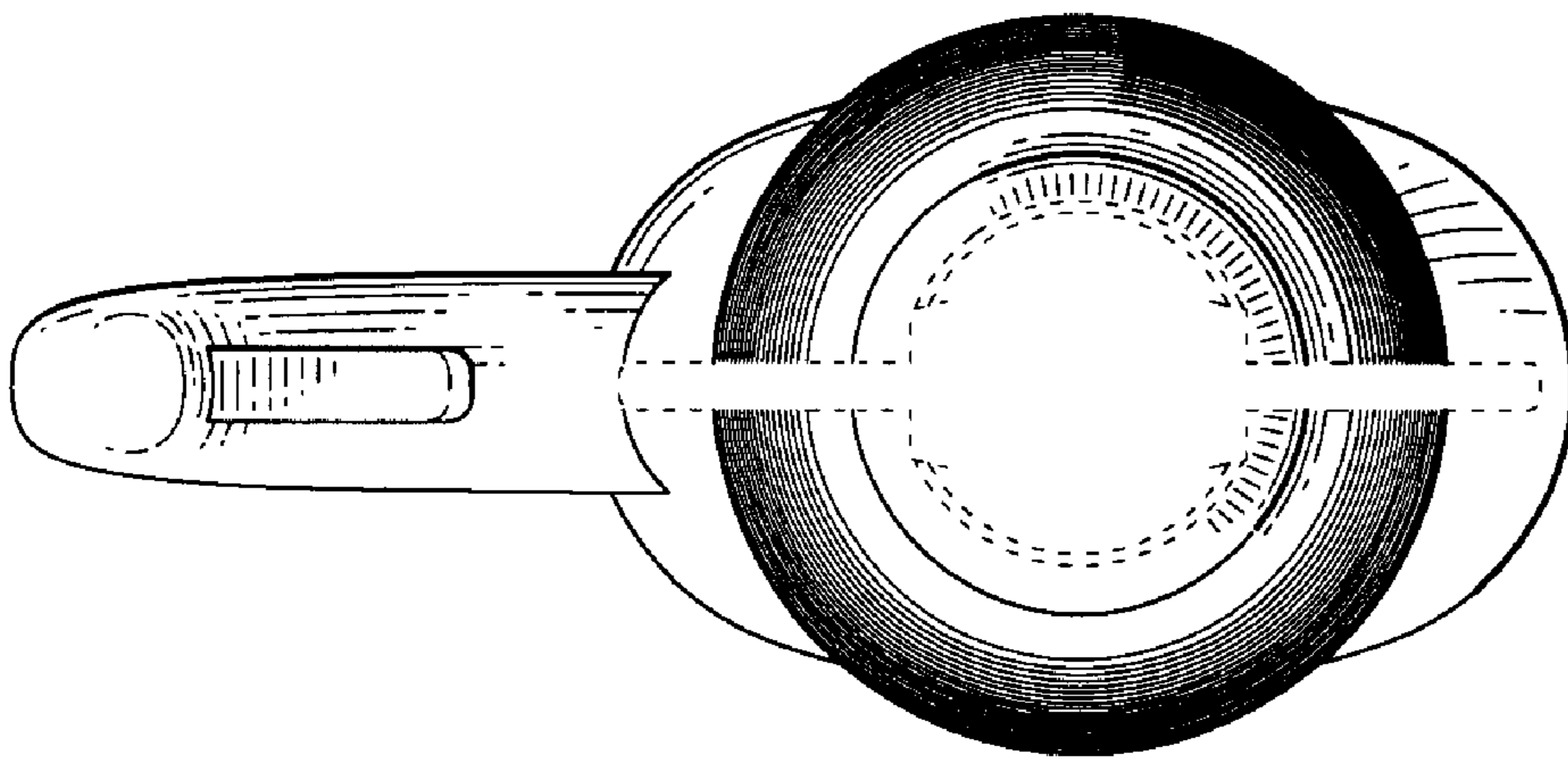


FIG. 17