



US00D540466S

(12) **United States Design Patent**  
**Homra et al.**

(10) **Patent No.:** **US D540,466 S**

(45) **Date of Patent:** **\*\* Apr. 10, 2007**

(54) **THREE-WAY CLAMP BODY**

(75) Inventors: **Ronald A. Homra**, Jackson, TN (US);  
**Theodore E. Nelson**, Jackson, TN  
(US); **Ernest E. Wilson**, Jackson, TN  
(US)

(73) Assignee: **Mar-Lin Medical, LLC**, Jackson, TN  
(US)

(\*\*) Term: **14 Years**

(21) Appl. No.: **29/216,947**

(22) Filed: **Nov. 11, 2004**

(51) **LOC (8) Cl.** ..... **24-01**

(52) **U.S. Cl.** ..... **D24/128**

(58) **Field of Classification Search** ..... D24/128,  
D24/112, 111; 433/77, 116, 28, 79; 33/49,  
33/108; 312/209; D8/37, 349

See application file for complete search history.

(56) **References Cited**

**U.S. PATENT DOCUMENTS**

D376,848 S	*	12/1996	Zeilig et al.	.....	D24/111
D404,813 S	*	1/1999	Hauser	.....	D24/111
D476,414 S	*	6/2003	Buck et al.	.....	D24/111
D513,320 S	*	12/2005	Stubkjaer	.....	D24/111

\* cited by examiner

*Primary Examiner*—Louis S. Zarfes  
*Assistant Examiner*—Eric L Goodman

(74) *Attorney, Agent, or Firm*—Walker, McKenzie & Walker, P.C.

(57) **CLAIM**

The ornamental design for a three-way clamp body, as shown and described.

**DESCRIPTION**

A body of a three-way clamp such as used as part of a holder for an oral suction device such as that disclosed by Homra, U.S.Pat. No. 6,077,074, issued Jun. 20, 2000.

FIG. 1 is a perspective view of a three-way clamp body, as taken generally from the top front.

FIG. 2 is a perspective view of the three-way clamp body of FIG. 1, but as taken generally from the bottom rear.

FIG. 3 is a top plan view of the three-way clamp body of FIG. 1.

FIG. 4 is a left side elevational view of the three-way clamp body of FIG. 1.

FIG. 5 is a bottom plan view of the three-way clamp body of FIG. 1.

FIG. 6 is a right side elevational view of the three-way clamp body of FIG. 1.

FIG. 7 is a front elevational view of the three-way clamp body of FIG. 1.

FIG. 8 is a rear elevational view of the three-way clamp body of FIG. 1; and,

FIG. 9 is a sectional view as taken on line 9—9 of FIG. 8.

**1 Claim, 3 Drawing Sheets**

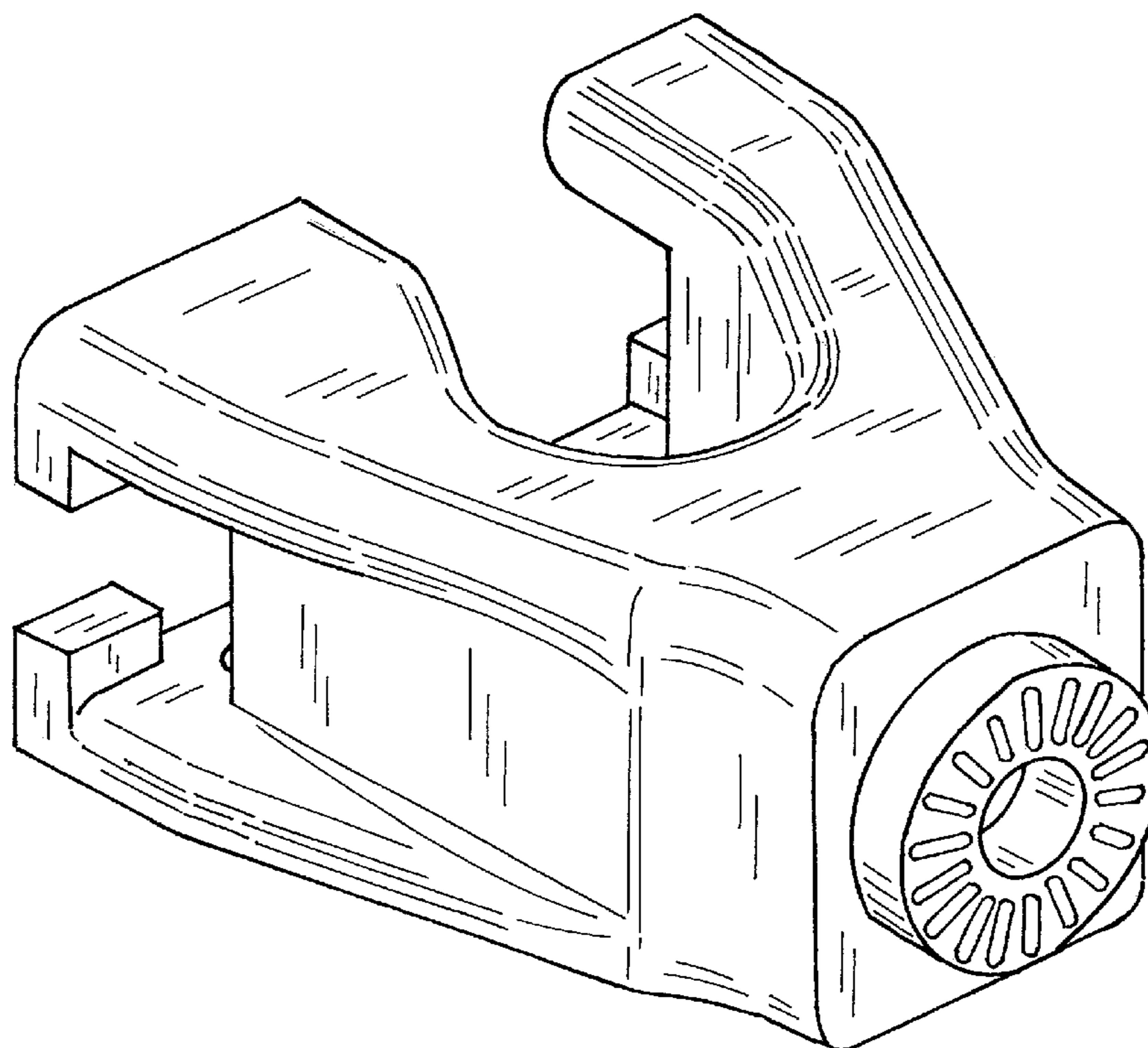


FIG. 1

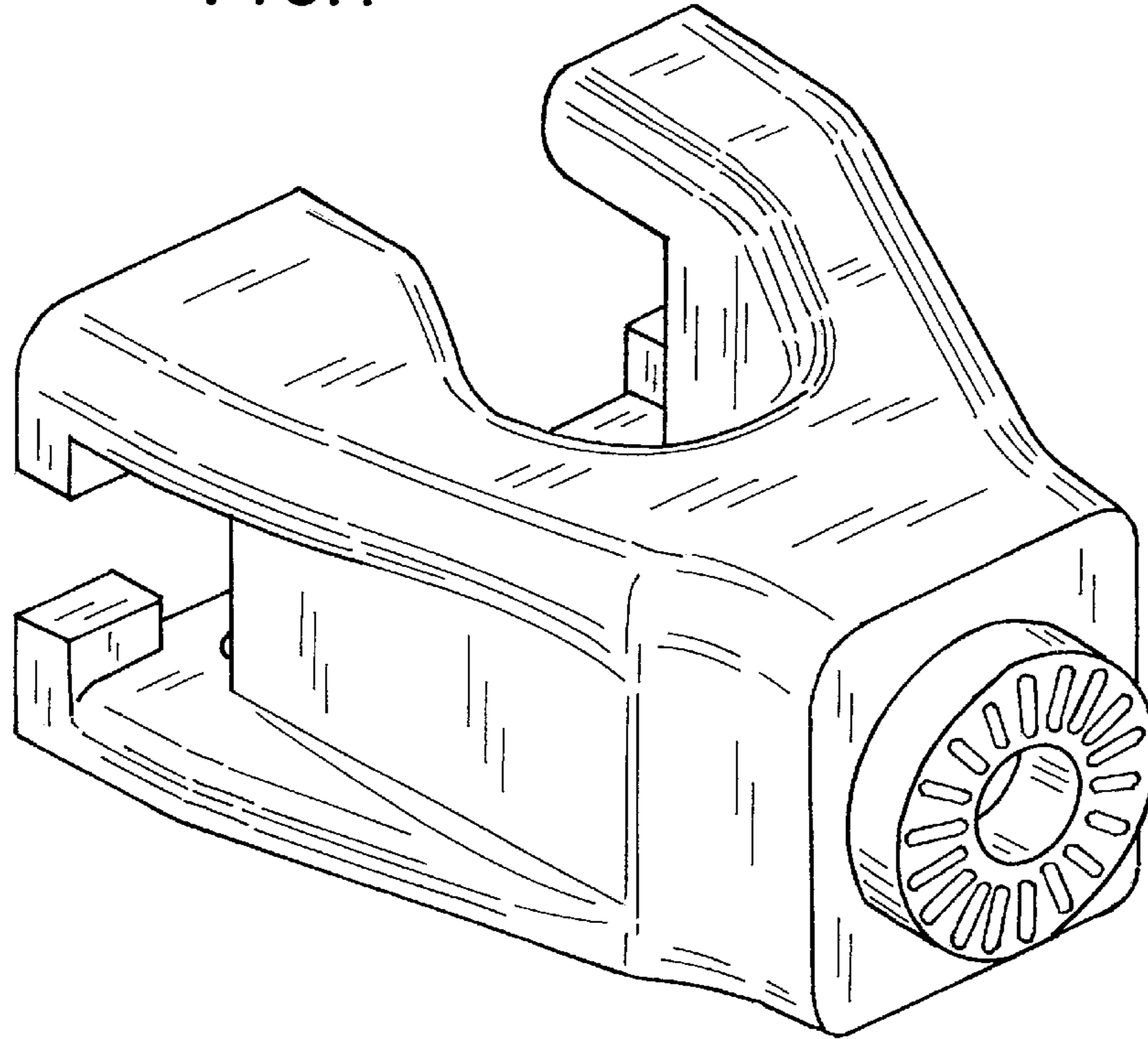


FIG. 2

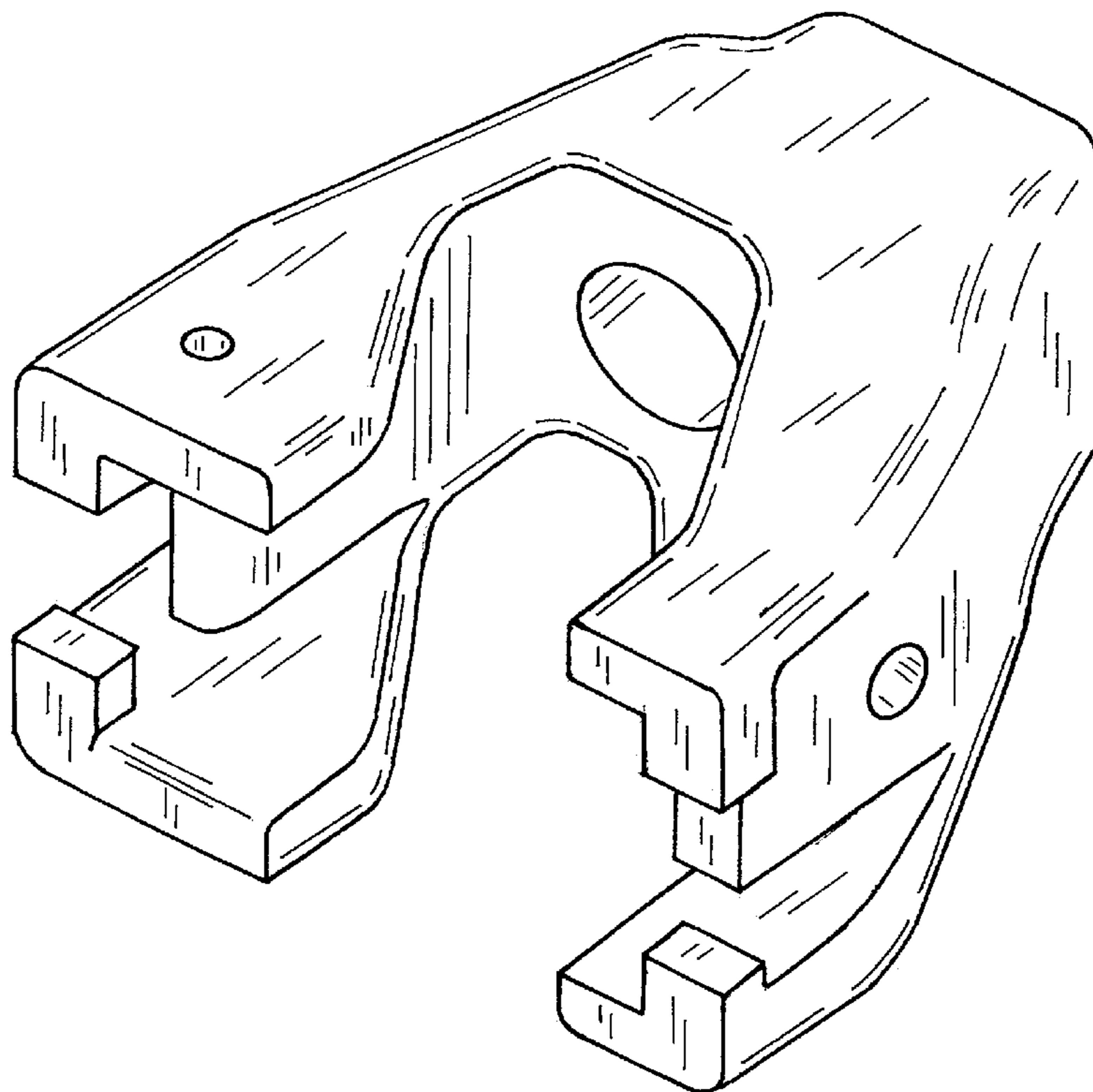


FIG. 3

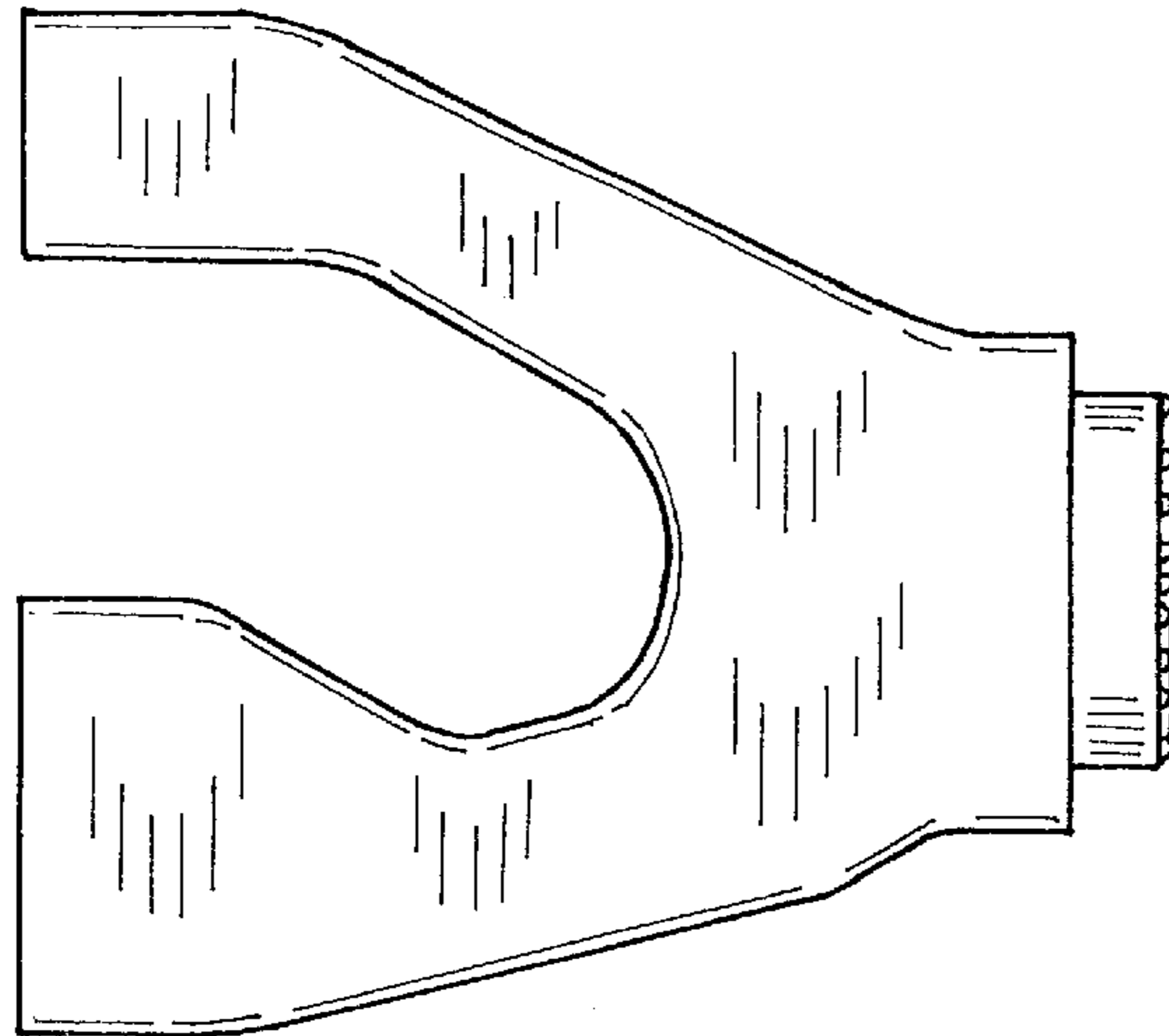


FIG. 4

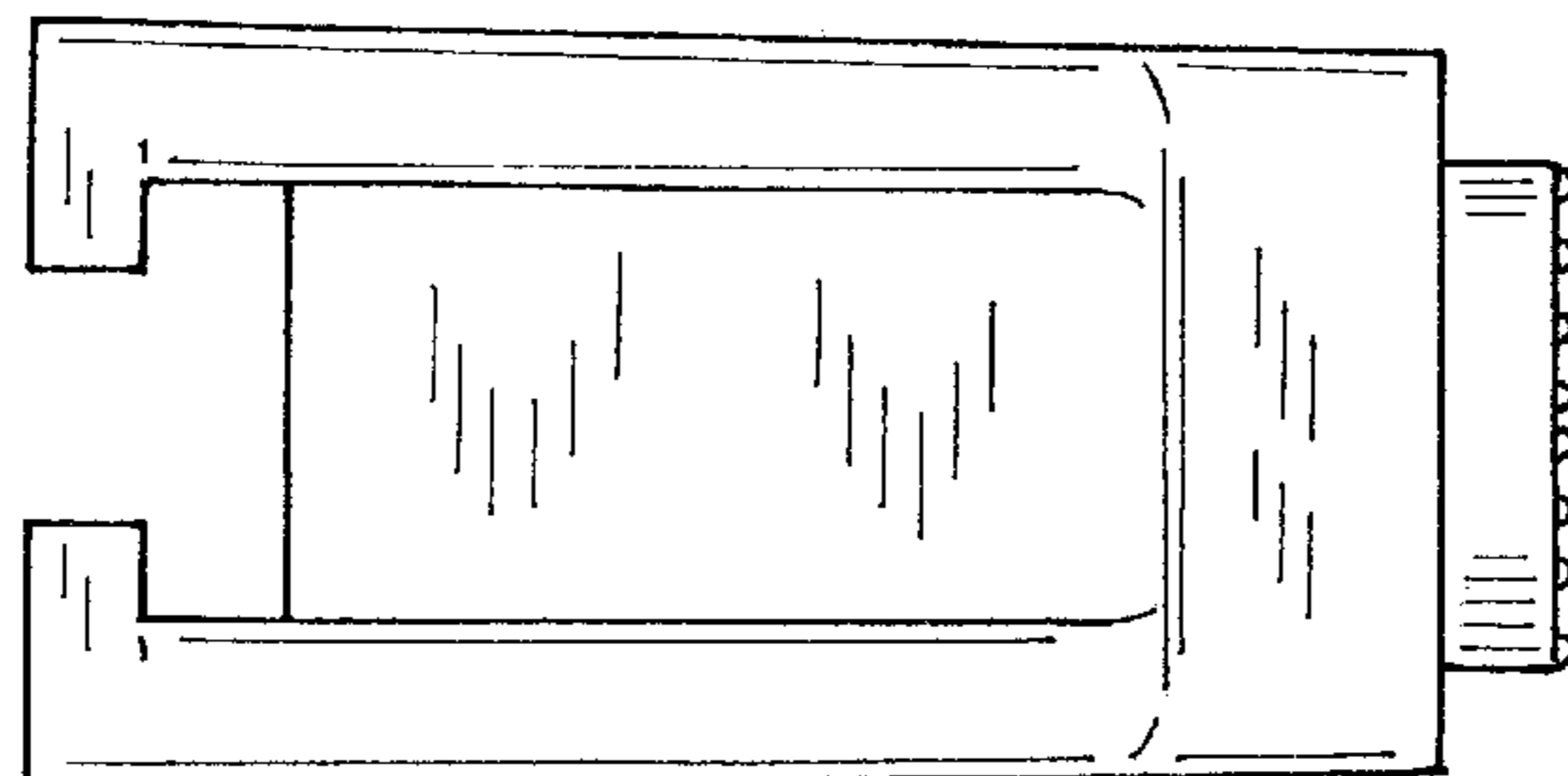


FIG. 5

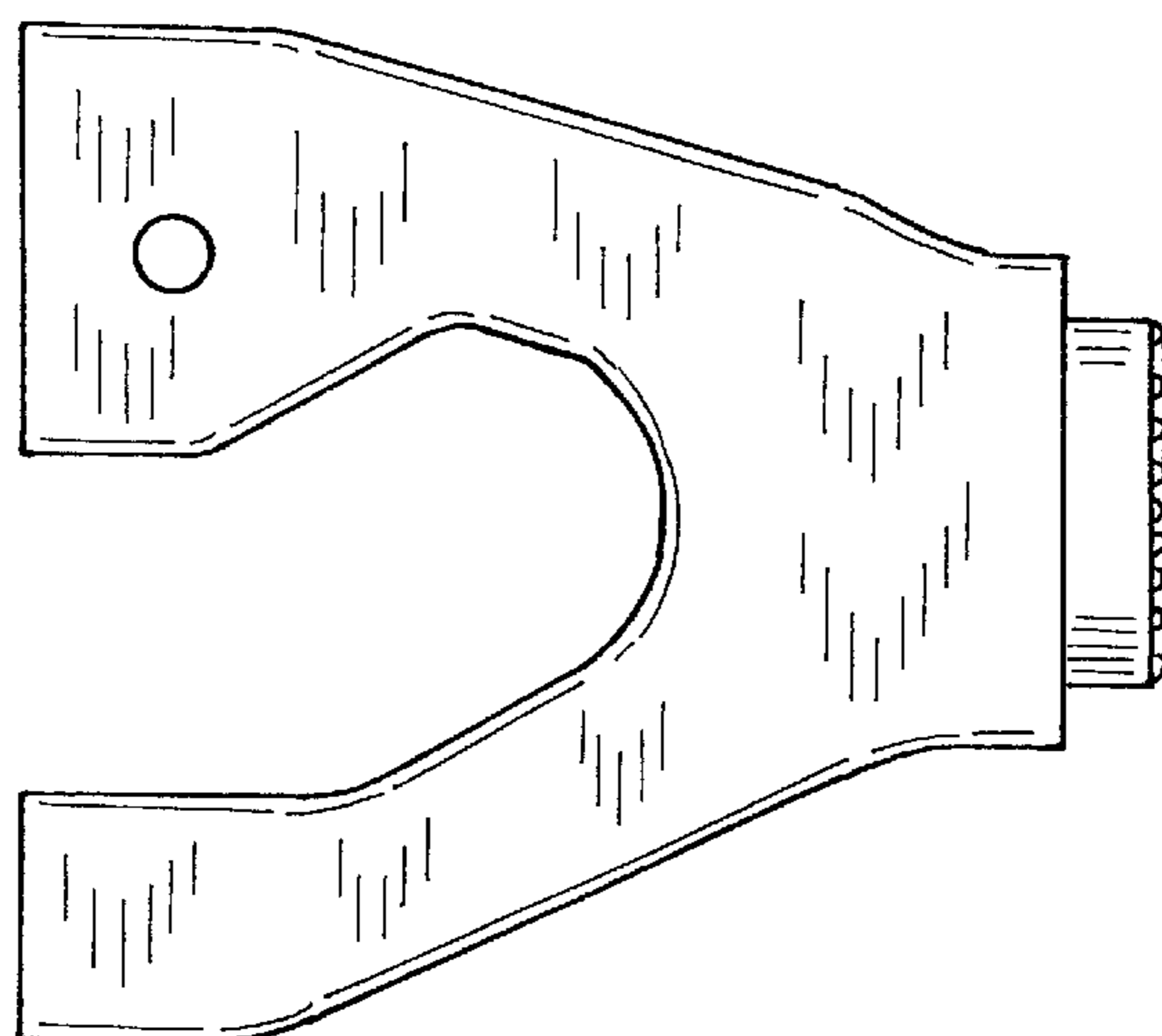


FIG. 6

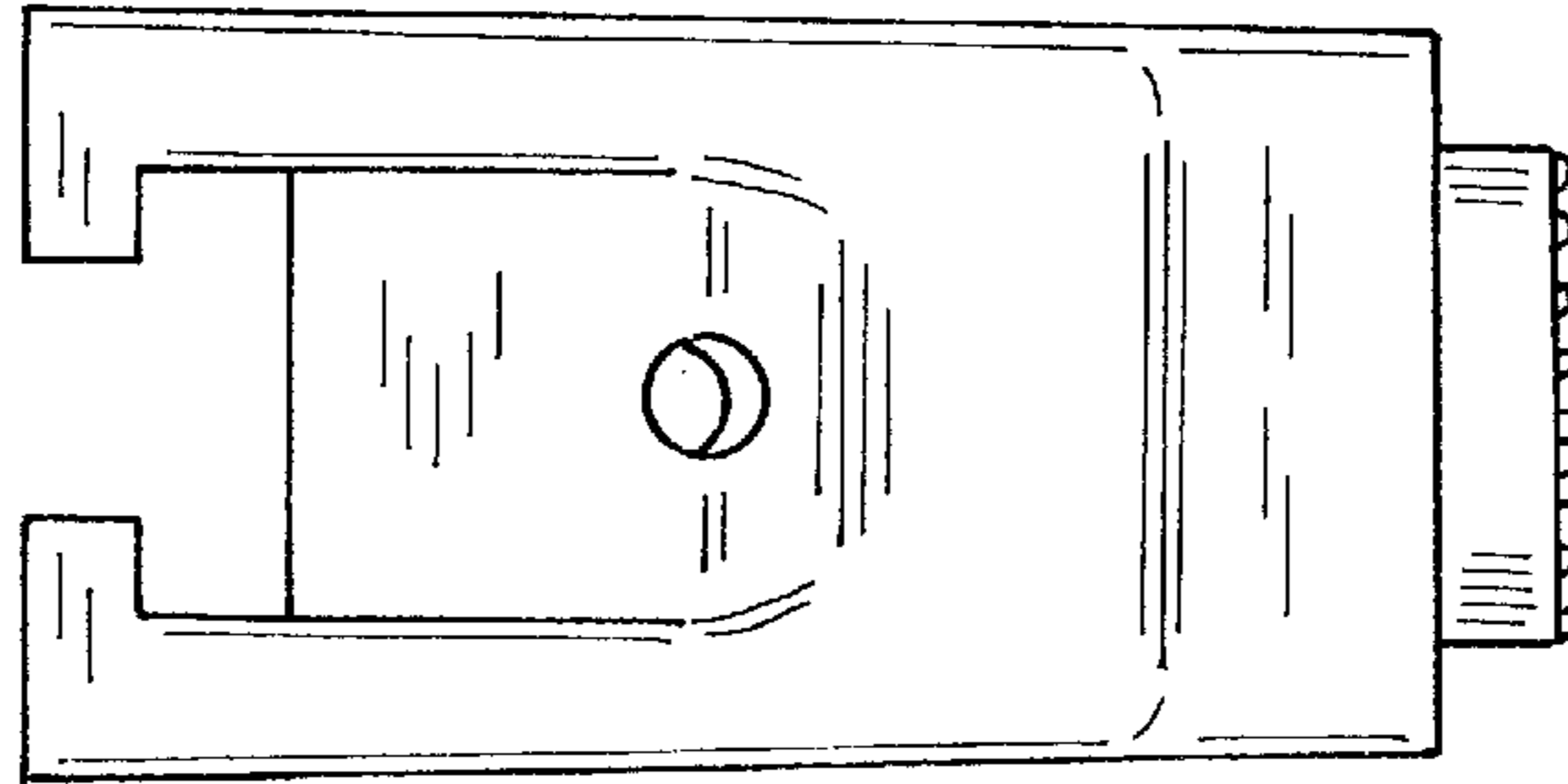


FIG. 7

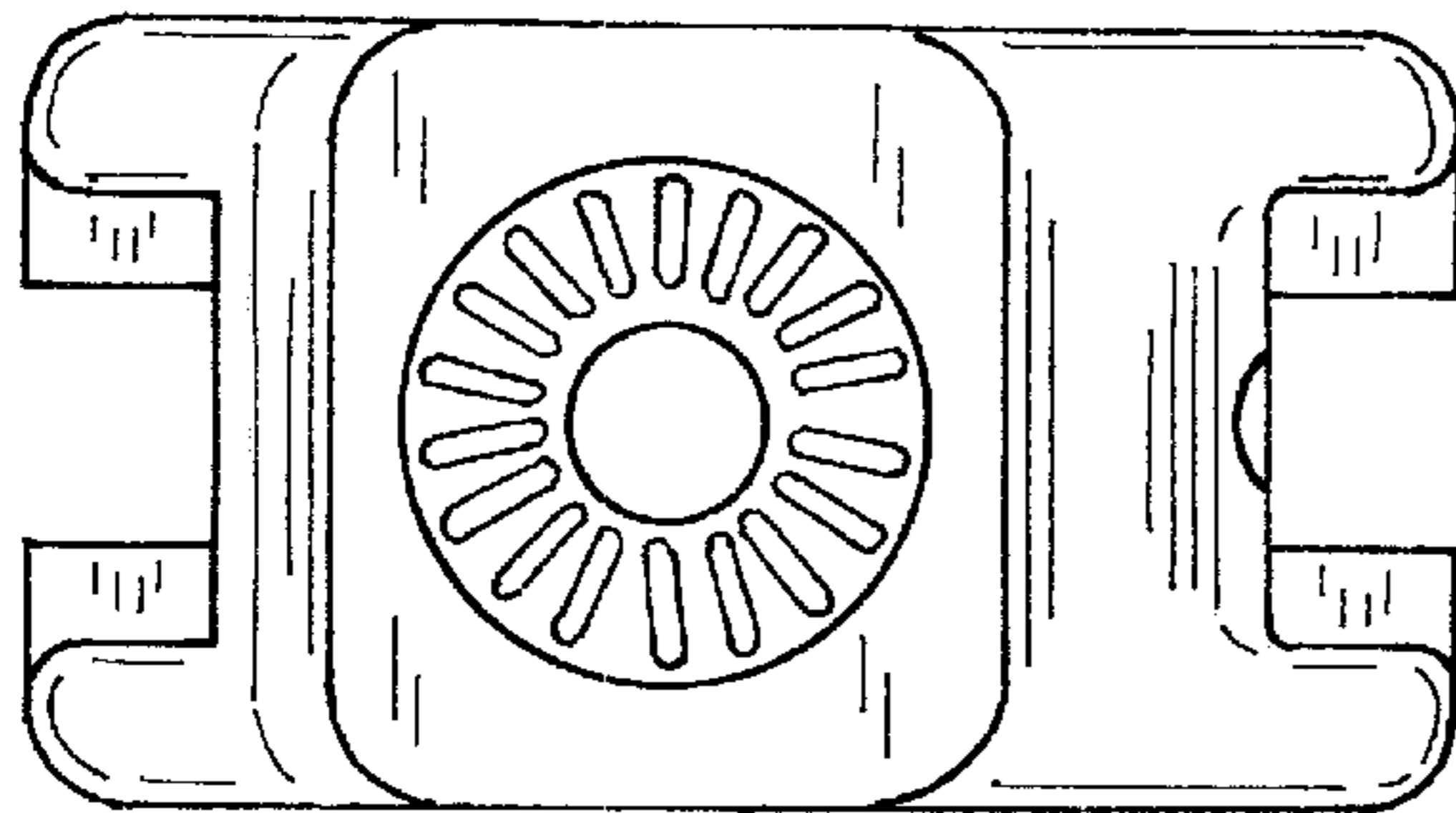


FIG. 8

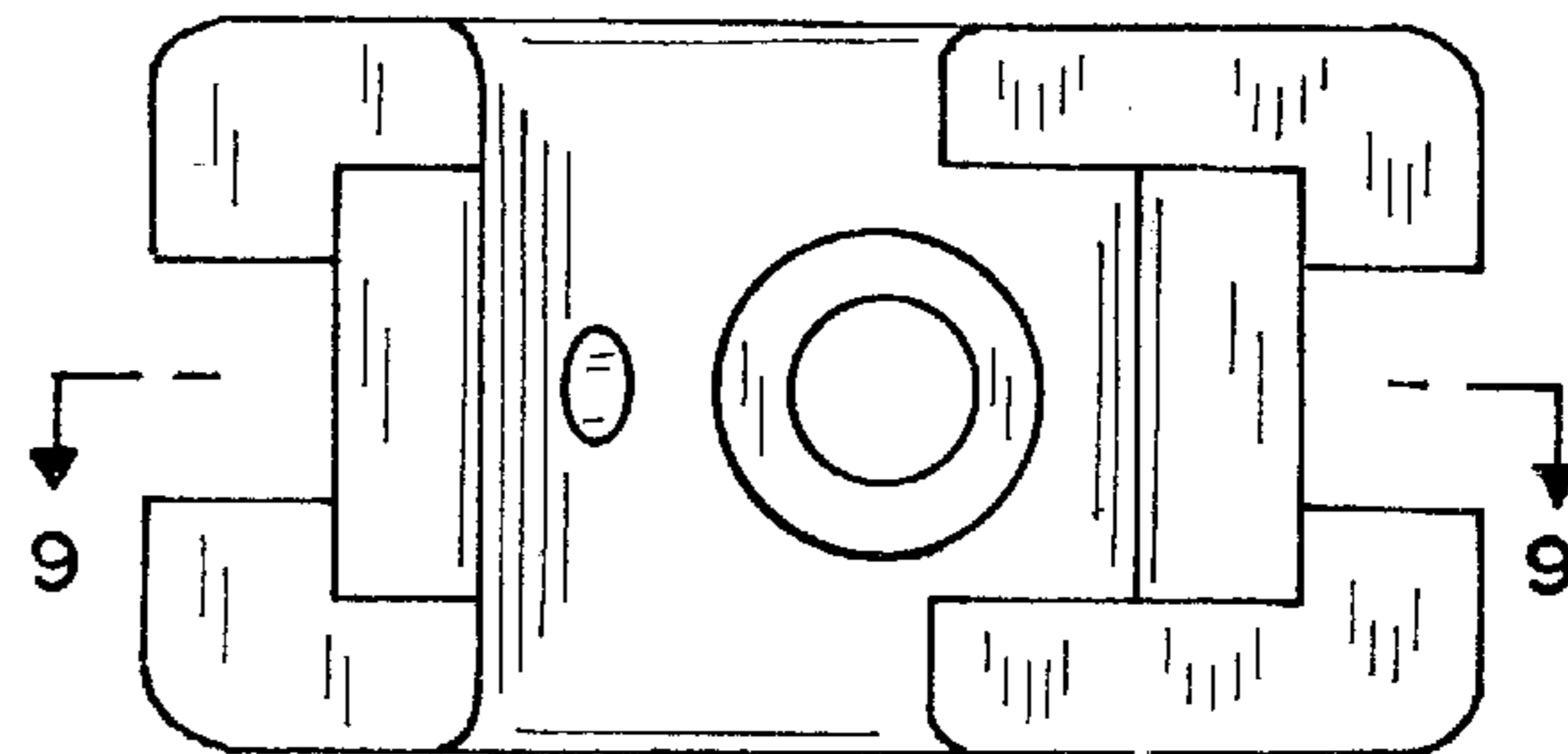


FIG. 9

