

US00D540459S

(12) **United States Design Patent**
Rozier, Sr.

(10) **Patent No.:** **US D540,459 S**

(45) **Date of Patent:** **** Apr. 10, 2007**

(54) **DOUBLE SQUARE FIRE STAND**

(76) Inventor: **Jeffrey W. Rozier, Sr.**, 4168
Cherryshire Dr., Brunswick, OH (US)
44212

(**) Term: **14 Years**

(21) Appl. No.: **29/247,127**

(22) Filed: **Jun. 1, 2006**

(51) **LOC (8) Cl.** **23-99**

(52) **U.S. Cl.** **D23/410**

(58) **Field of Classification Search** D6/415,
D6/428-30, 441, 446, 448, 449, 462, 463,
D6/468, 469, 473, 630, 635, 348, 375, 396,
D6/406.5, 0.6; D21/346, 348, 412, 826; 472/105,
472/114; D23/396-406, 409-410, 415-419,
D23/499; D25/55, 59, 60; 126/58, 245, 500,
126/540, 543, 544, 555, 9 A, 9 B
See application file for complete search history.

(56) **References Cited**

U.S. PATENT DOCUMENTS

- 1,732,829 A * 10/1929 Boardman 248/146
- D177,234 S * 3/1956 Hudson et al. D23/410
- D190,323 S * 5/1961 Stair D6/502
- D198,865 S * 8/1964 Borglum D6/462
- D274,933 S * 7/1984 Nau D23/410
- D462,559 S * 9/2002 Lechner D6/630

- D468,934 S * 1/2003 Dienstmann D6/449
- D499,278 S * 12/2004 Dardashti D6/464
- D518,886 S * 4/2006 Hoffman et al. D23/410

* cited by examiner

Primary Examiner—Sandra Snapp

Assistant Examiner—Karen Acker

(74) *Attorney, Agent, or Firm*—Howard M. Cohn

(57) **CLAIM**

I claim the ornamental design for a double square fire stand,
as shown and described.

DESCRIPTION

FIG. 1 is a left, front perspective view of a double square fire stand;

FIG. 1 is a top plan view of a double square fire stand;

FIG. 3 is a front elevational view of a double square fire stand;

FIG. 4 is a rear elevational view of a double square fire stand;

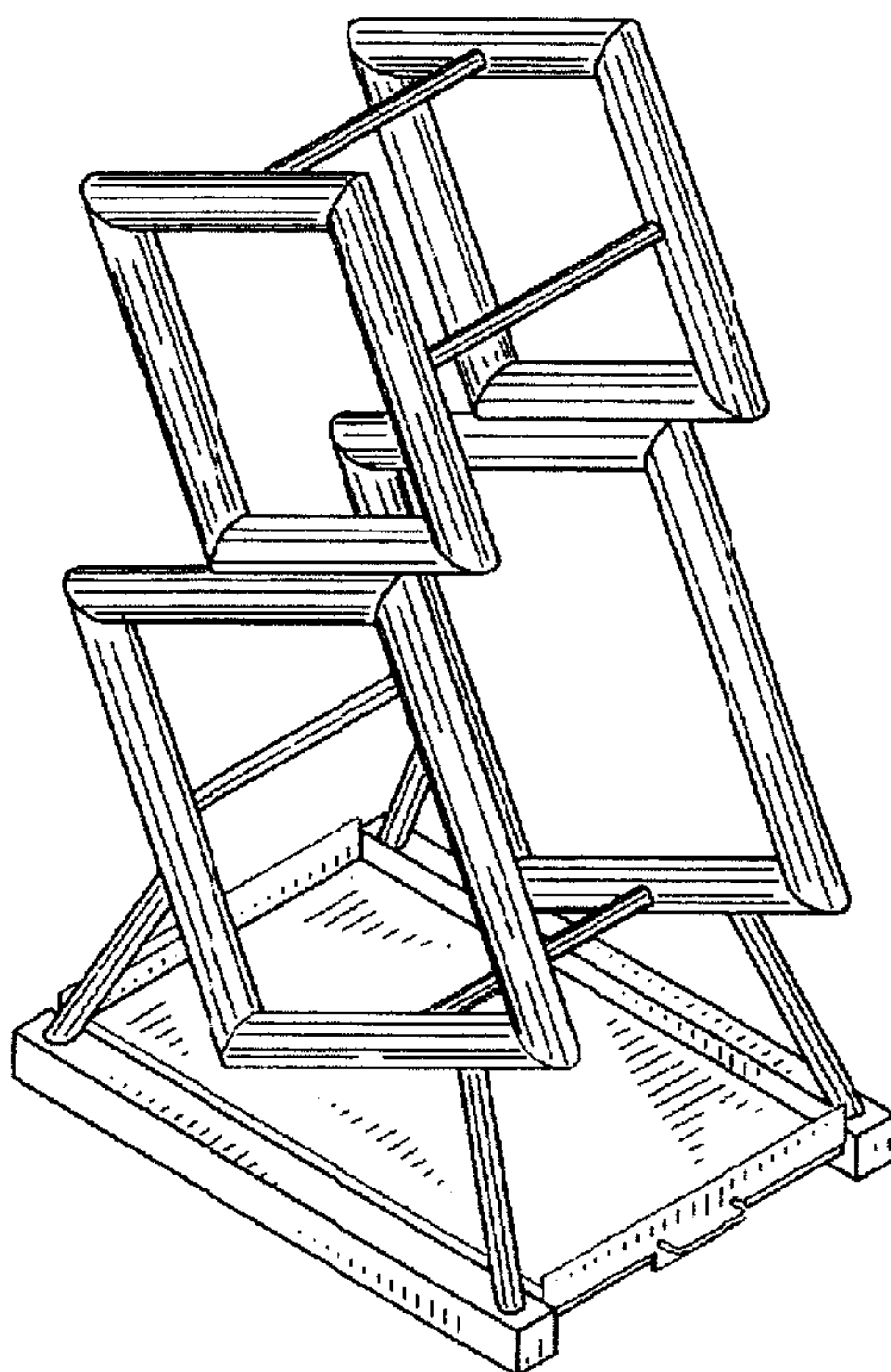
FIG. 5 is a bottom plan view of a double square fire stand;

FIG. 6 is a left side elevational view of a double square fire stand; and,

FIG. 7 is a right side elevational view of a double square fire stand.

The surface shading represents the surface of the double square fire stand.

1 Claim, 4 Drawing Sheets



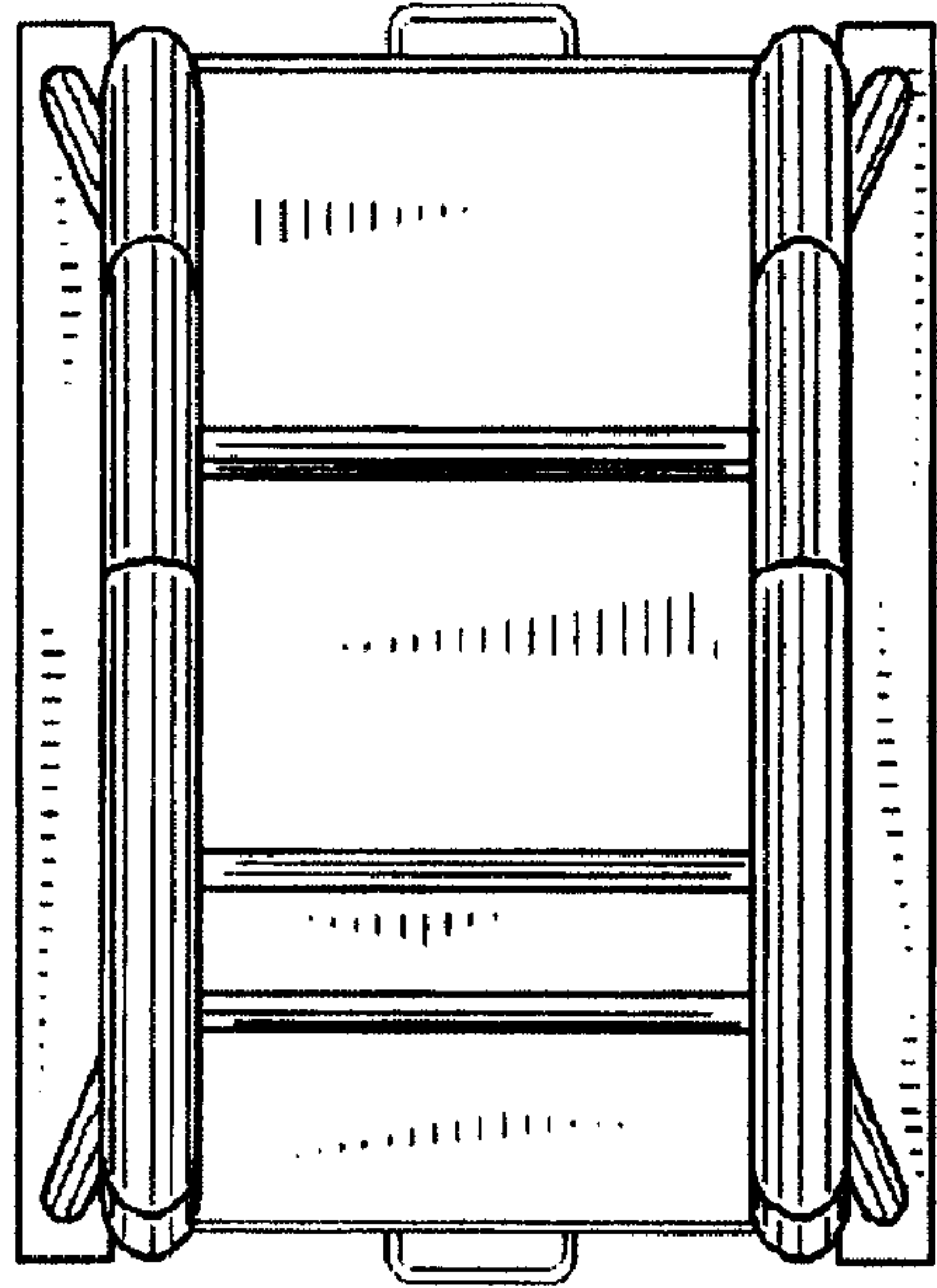


FIG. 2

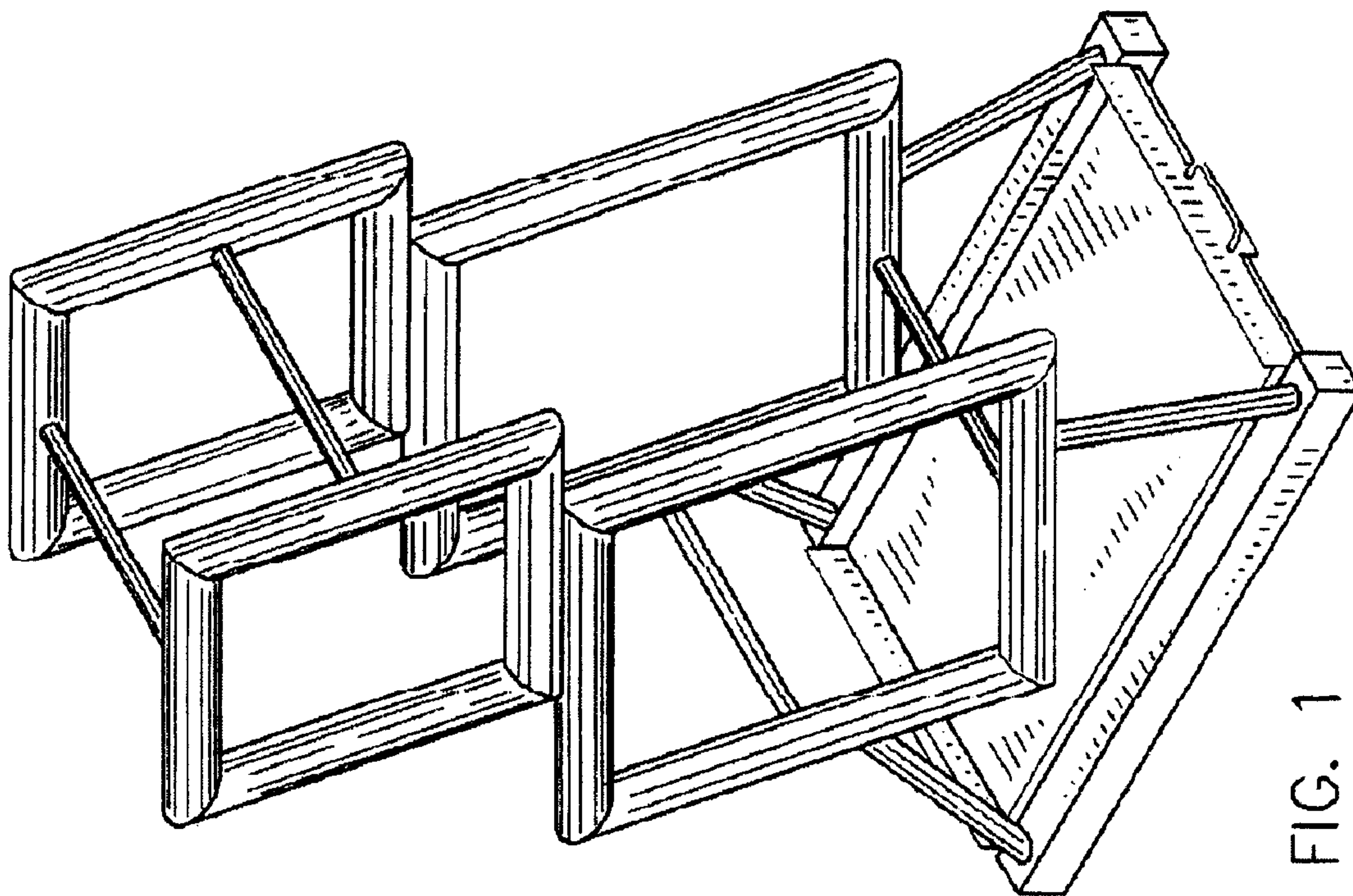


FIG. 1

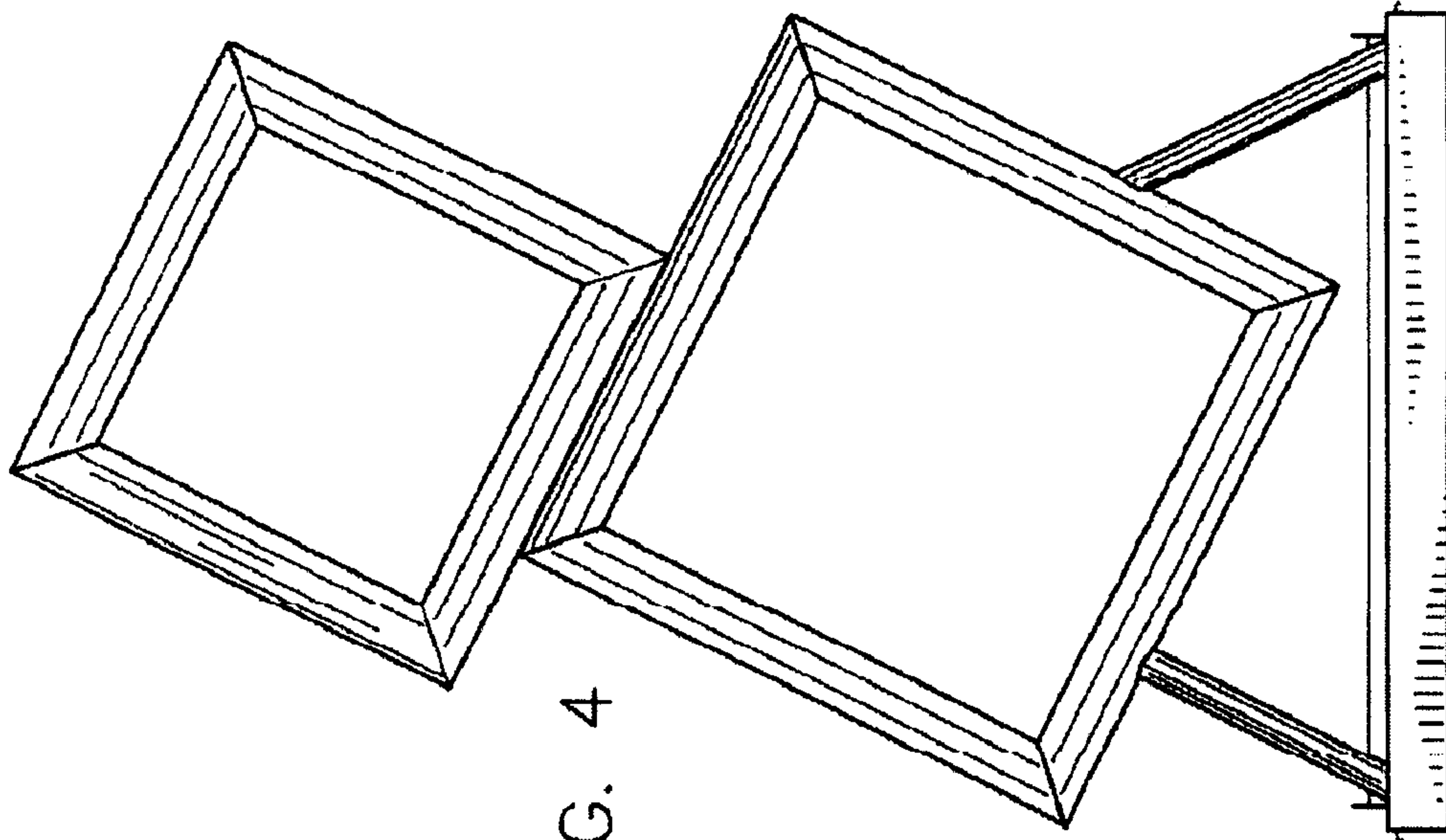


FIG. 4

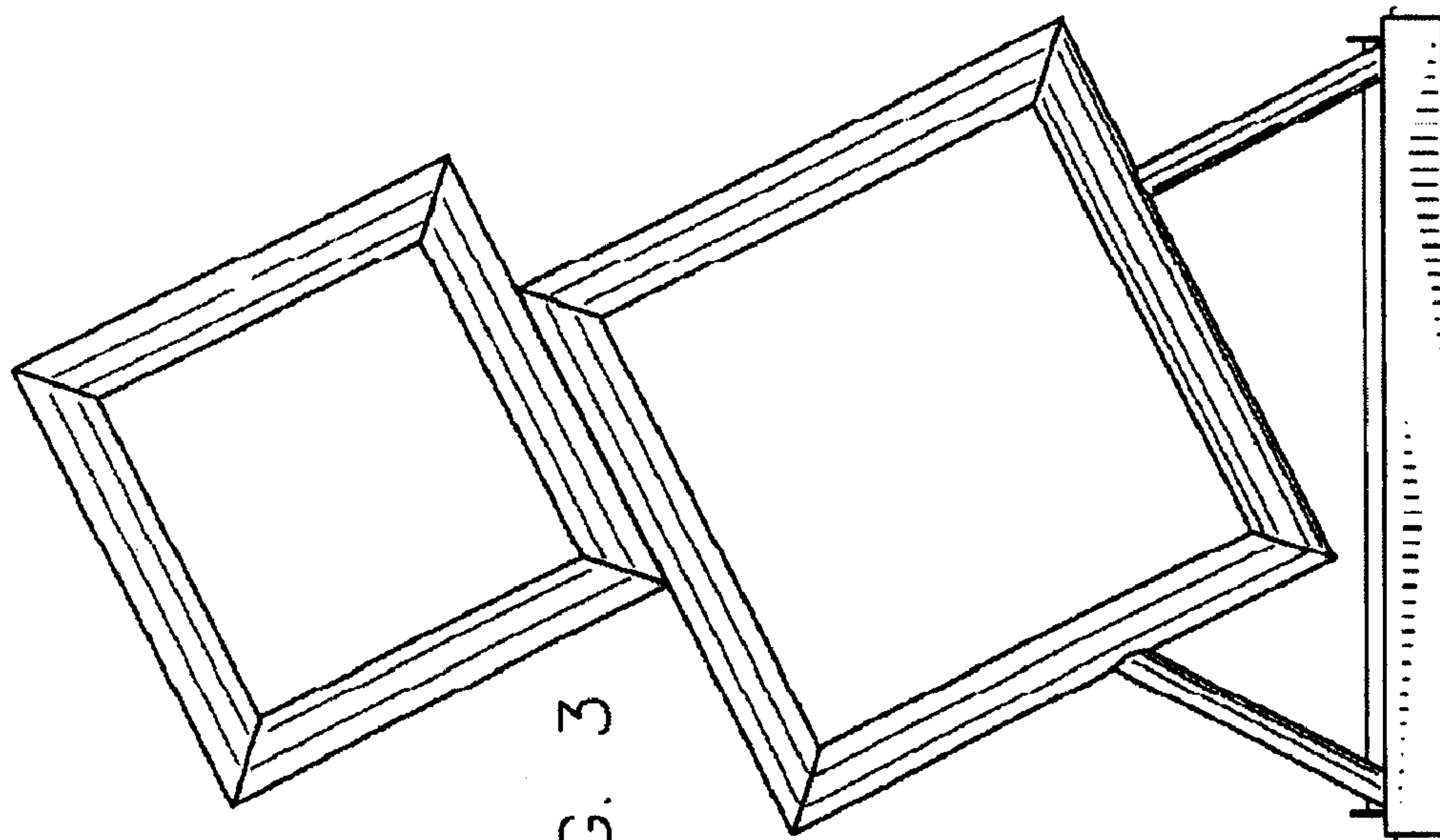


FIG. 3

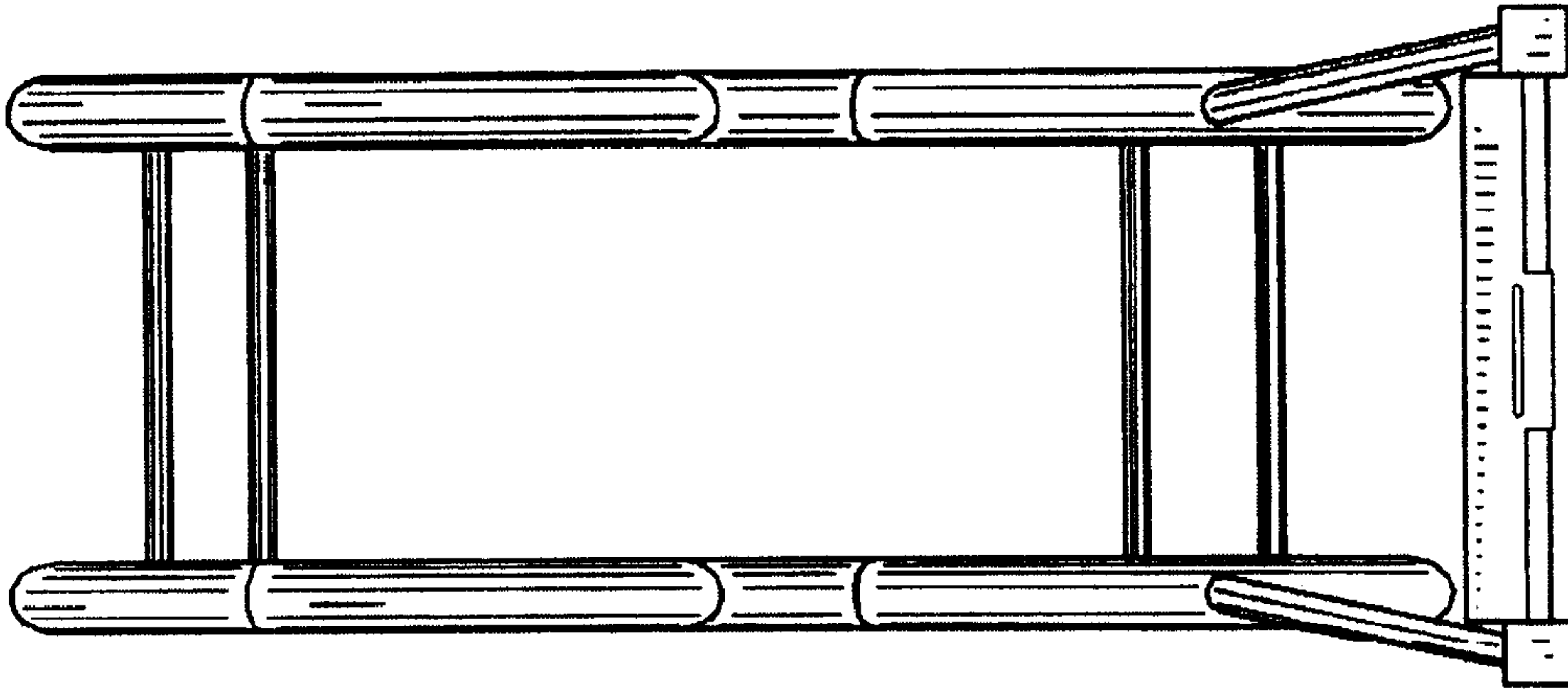


FIG. 6

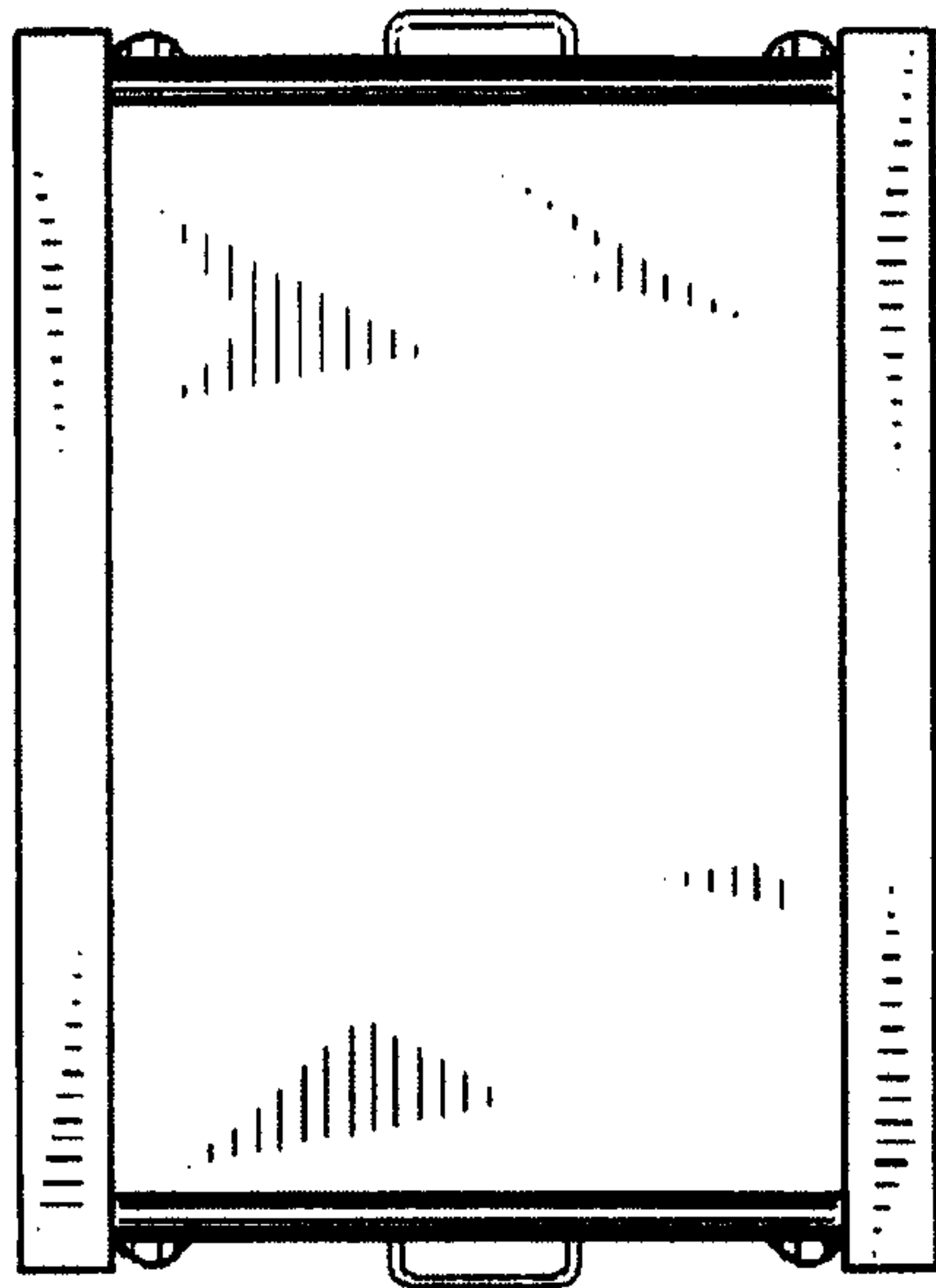


FIG. 5

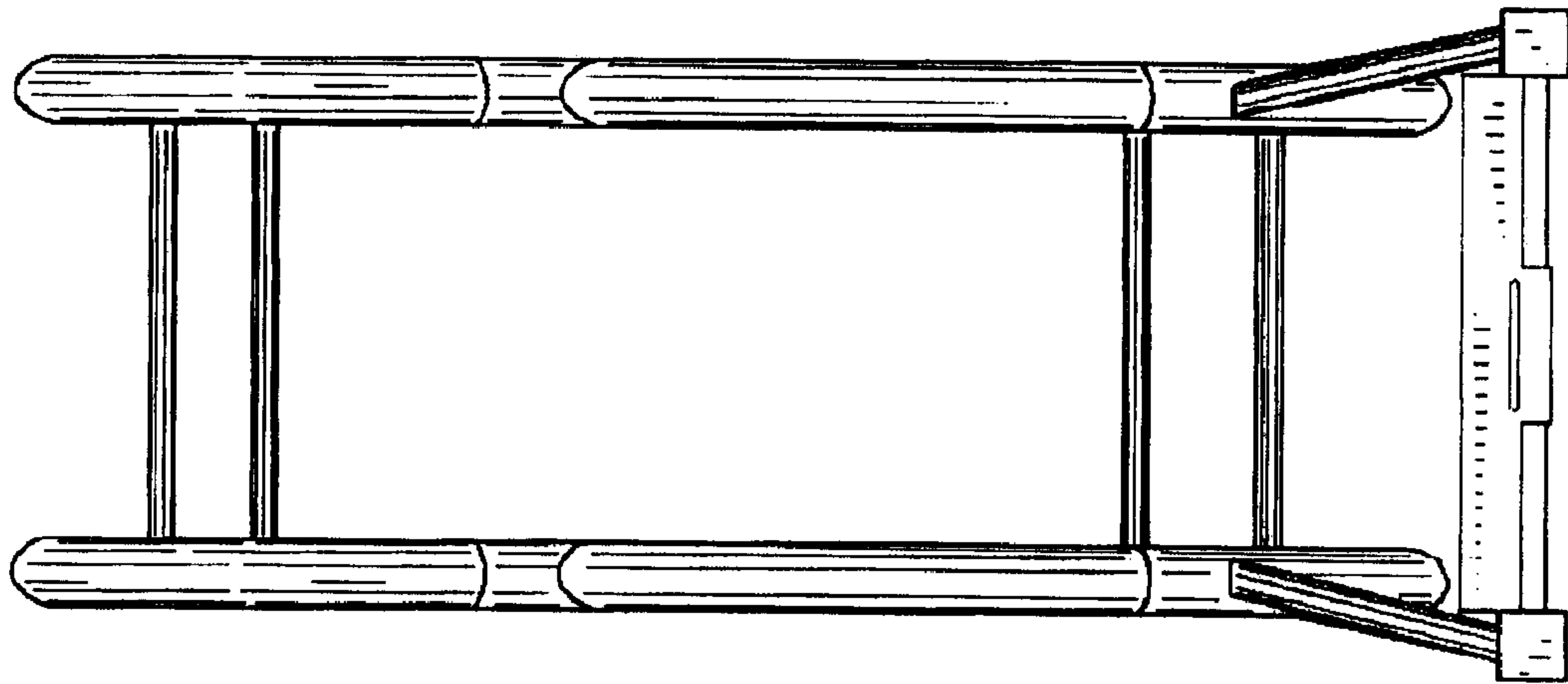


FIG. 7