



US00D540458S

(12) **United States Design Patent**
Rozier, Sr.

(10) **Patent No.:** **US D540,458 S**

(45) **Date of Patent:** **** Apr. 10, 2007**

(54) **V SHAPED GEOMETRIC LOG HOLDER**

(76) Inventor: **Jeffrey W. Rozier, Sr.**, 4168
Cherryshire Dr., Brunswick, OH (US)
44212

(**) Term: **14 Years**

(21) Appl. No.: **29/246,651**

(22) Filed: **May 1, 2006**

(51) **LOC (8) Cl.** **23-99**

(52) **U.S. Cl.** **D23/410**

(58) **Field of Classification Search** D23/396-406,
D23/409-410, 415-419, 499; D25/55, 59,
D25/60; 126/58, 245, 500, 540, 543, 544,
126/555, 9 A, 9 B; D6/348, 375, 396, 406.5,
D6/406.6, 415, 428-30, 441, 446, 448, 449,
D6/462, 463, 468, 469, 473, 630, 635; D21/346,
D21/348, 412, 826; 472/105, 114
See application file for complete search history.

(56) **References Cited**

U.S. PATENT DOCUMENTS

1,732,829 A	*	10/1929	Boardman	248/146
D177,234 S	*	3/1956	Hudson et al.	D23/410
D179,576 S	*	1/1957	Lane	D6/404
D198,865 S	*	8/1964	Borglum	D6/462
D274,933 S	*	7/1984	Nau	D23/410
D296,279 S	*	6/1988	Baldree et al.	D6/462
D360,082 S	*	7/1995	Tseng	D6/368
D415,902 S	*	11/1999	Chun-Yueh	D6/368

D497,728 S	*	11/2004	Tseng	D6/373
D521,260 S	*	5/2006	Westerman	D6/348
D521,636 S	*	5/2006	Holland	D23/410

* cited by examiner

Primary Examiner—Sandra Snapp

Assistant Examiner—Karen S Acker

(74) *Attorney, Agent, or Firm*—Howard M Cohn

(57) **CLAIM**

I claim the ornamental design for a V shaped geometric log holder, as shown and described.

DESCRIPTION

FIG. 1 is a left, front perspective view of a V shaped geometric log holder;

FIG. 2 is a top plan view of a V shaped geometric log holder;

FIG. 3 is a front elevational view of a V shaped geometric log holder;

FIG. 4 is a rear elevational view of a V shaped geometric log holder;

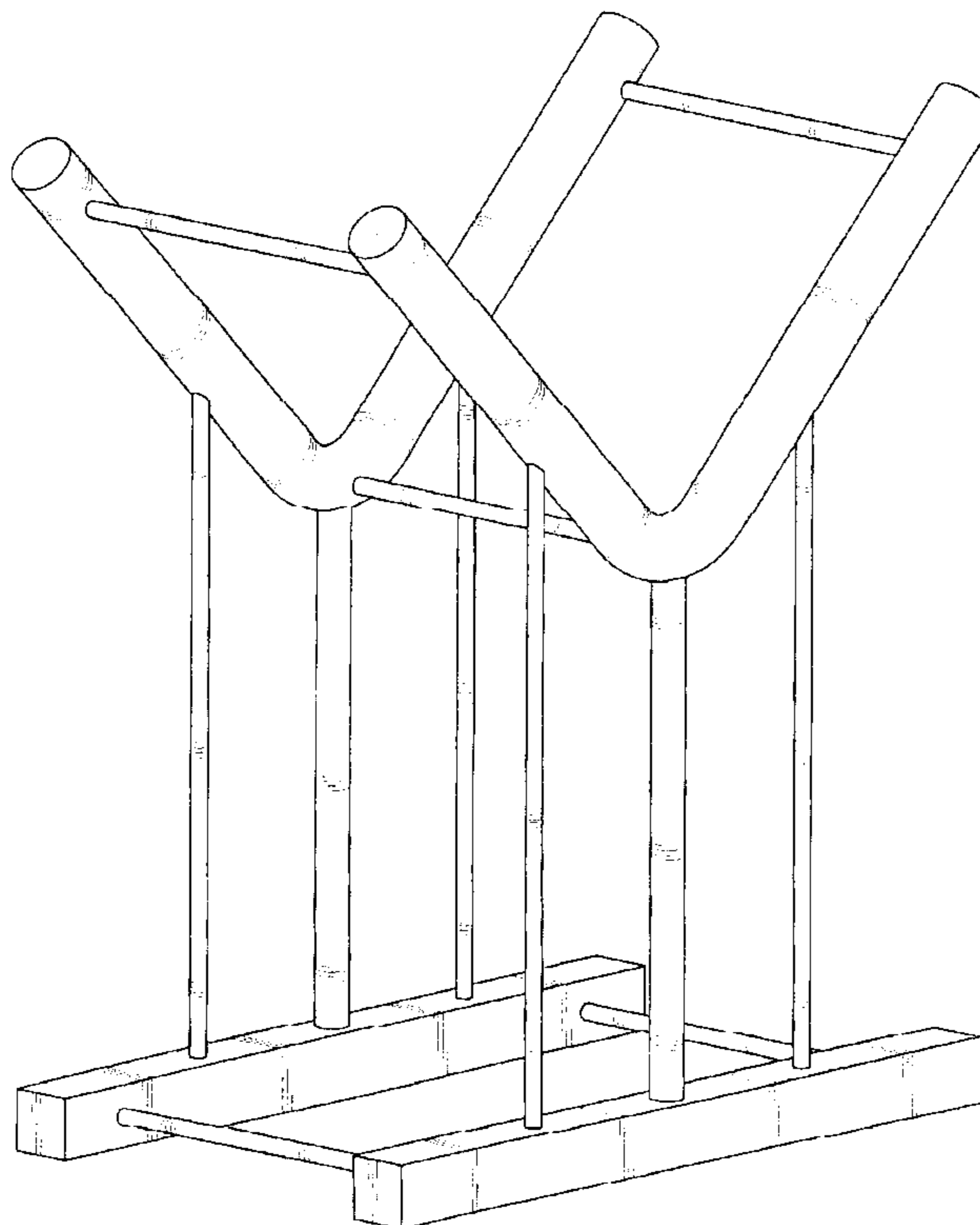
FIG. 5 is a bottom plan view of a V shaped geometric log holder;

FIG. 6 is a right side elevational view of a V shaped geometric log holder; and,

FIG. 7 is a left side elevational view of a V shaped geometric log holder.

The surface shading represents the surface of the V shaped geometric log holder.

1 Claim, 4 Drawing Sheets



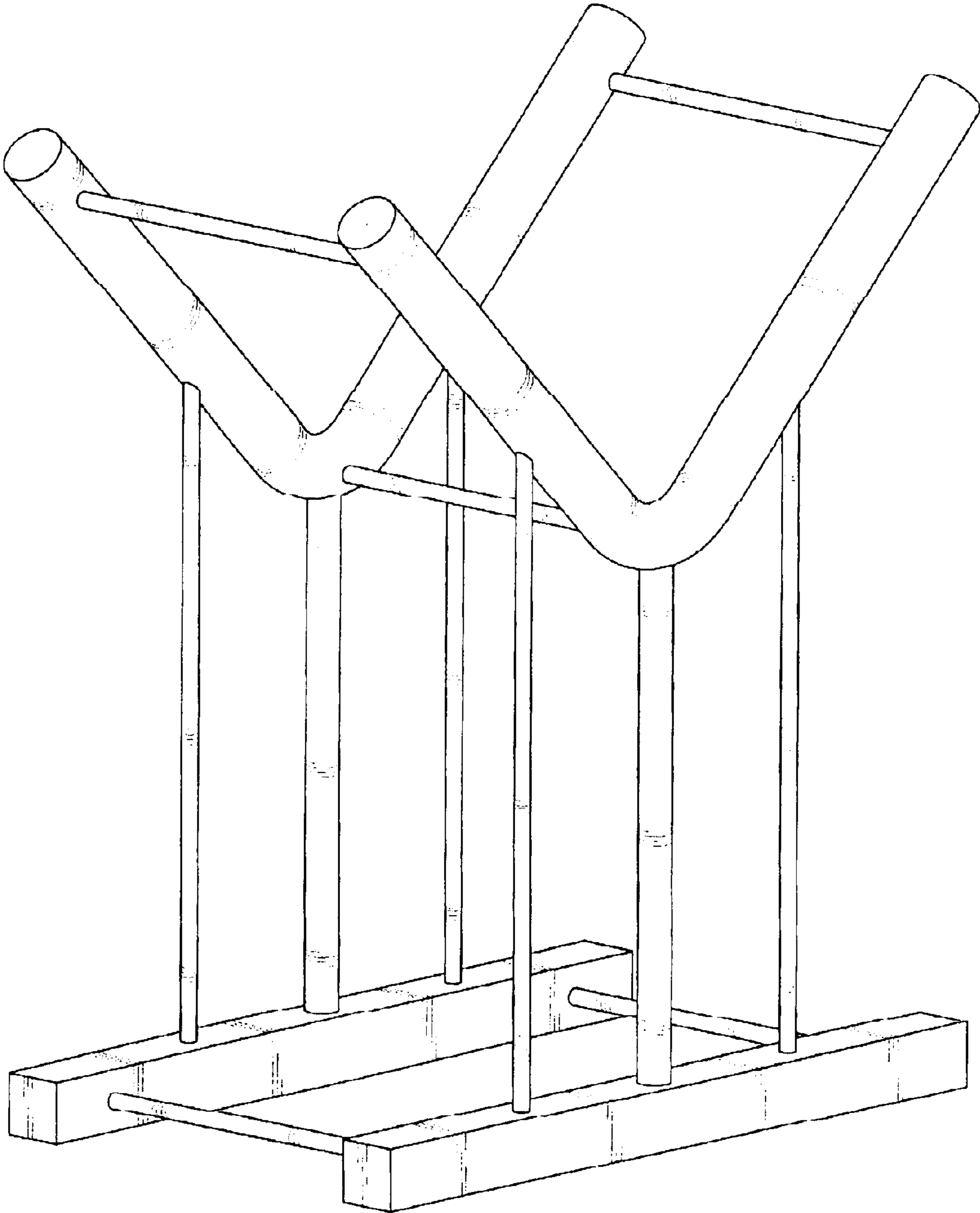


FIG. 1

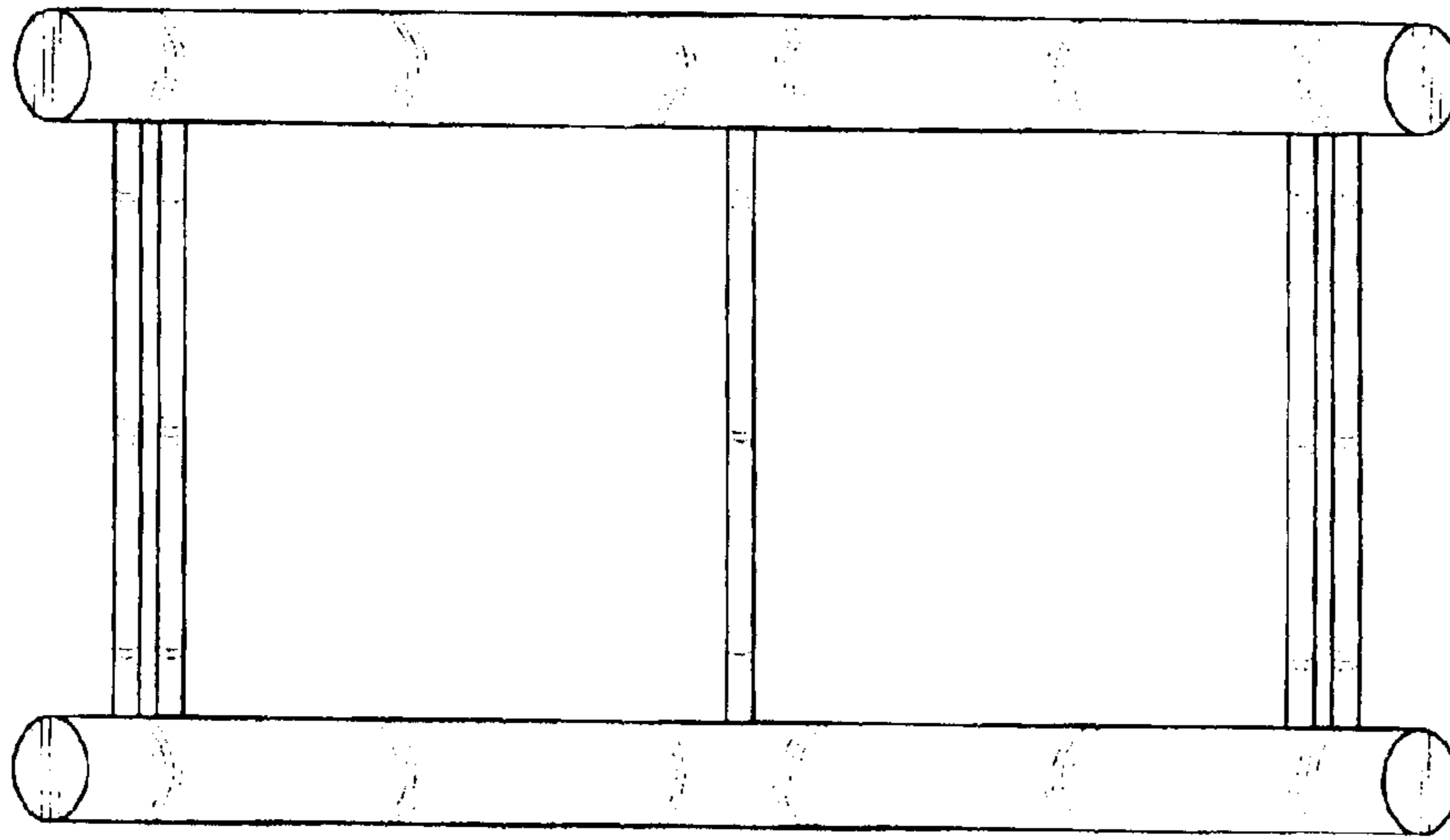


FIG. 2

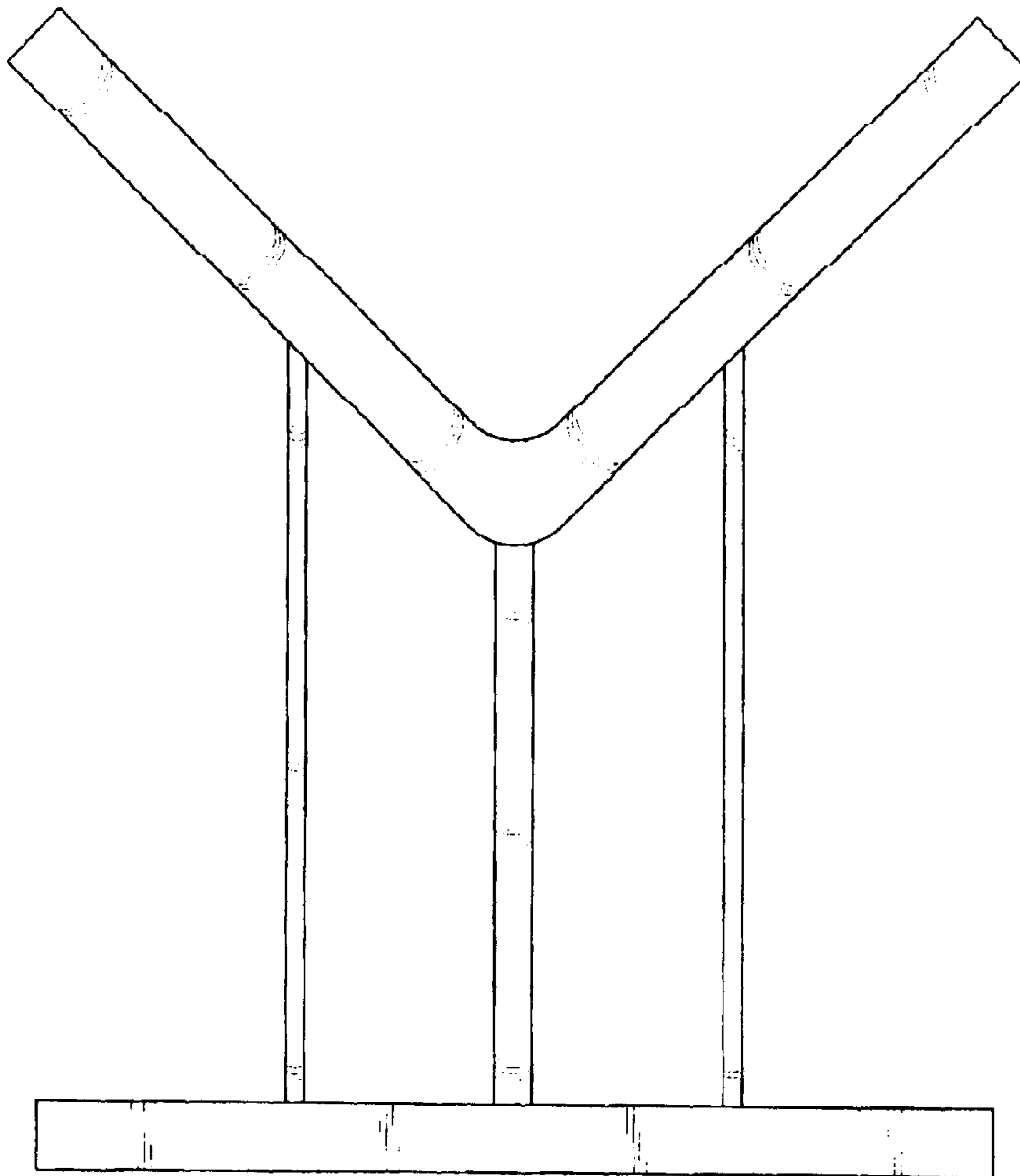


FIG. 3

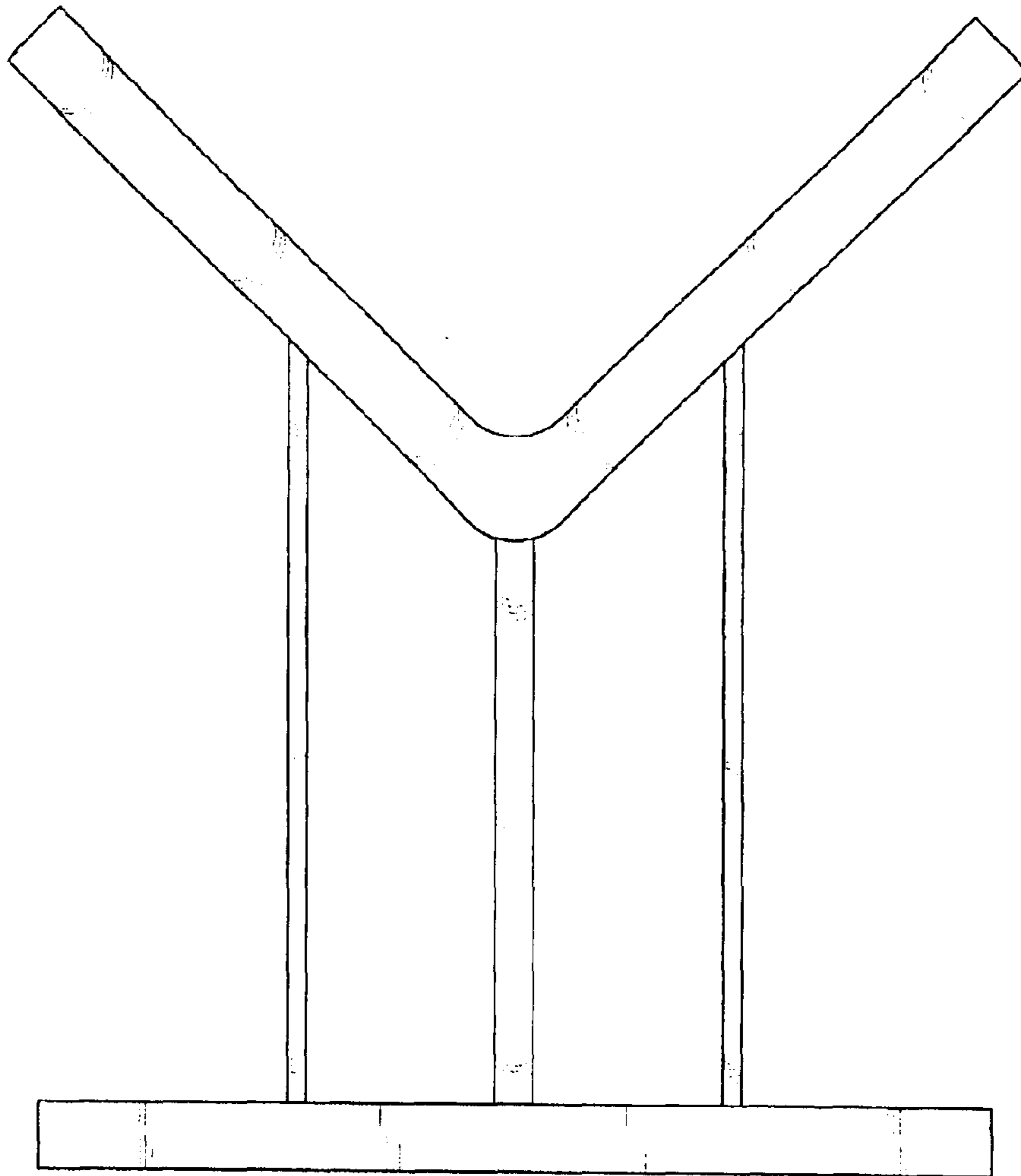


FIG. 4

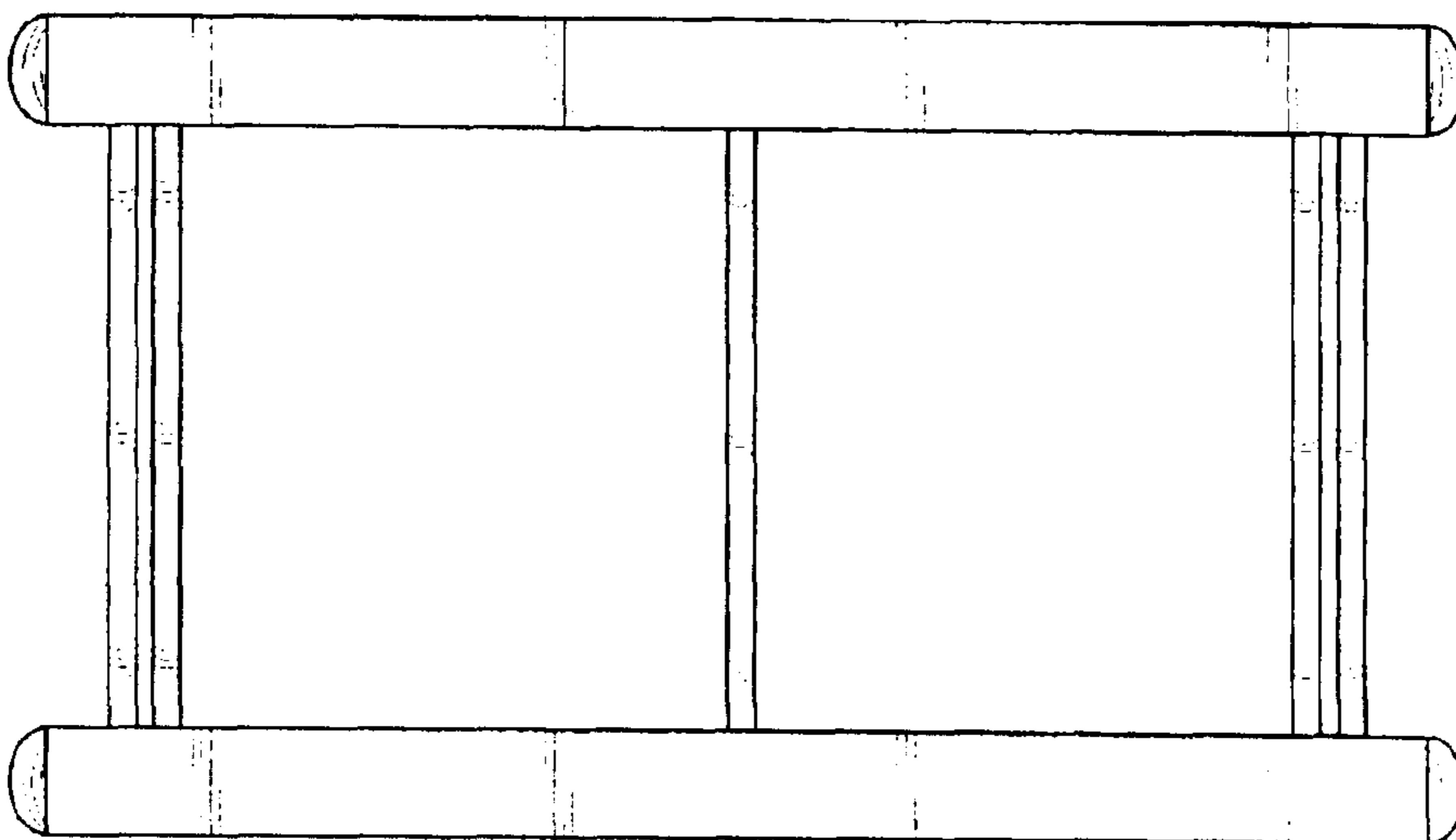


FIG. 5

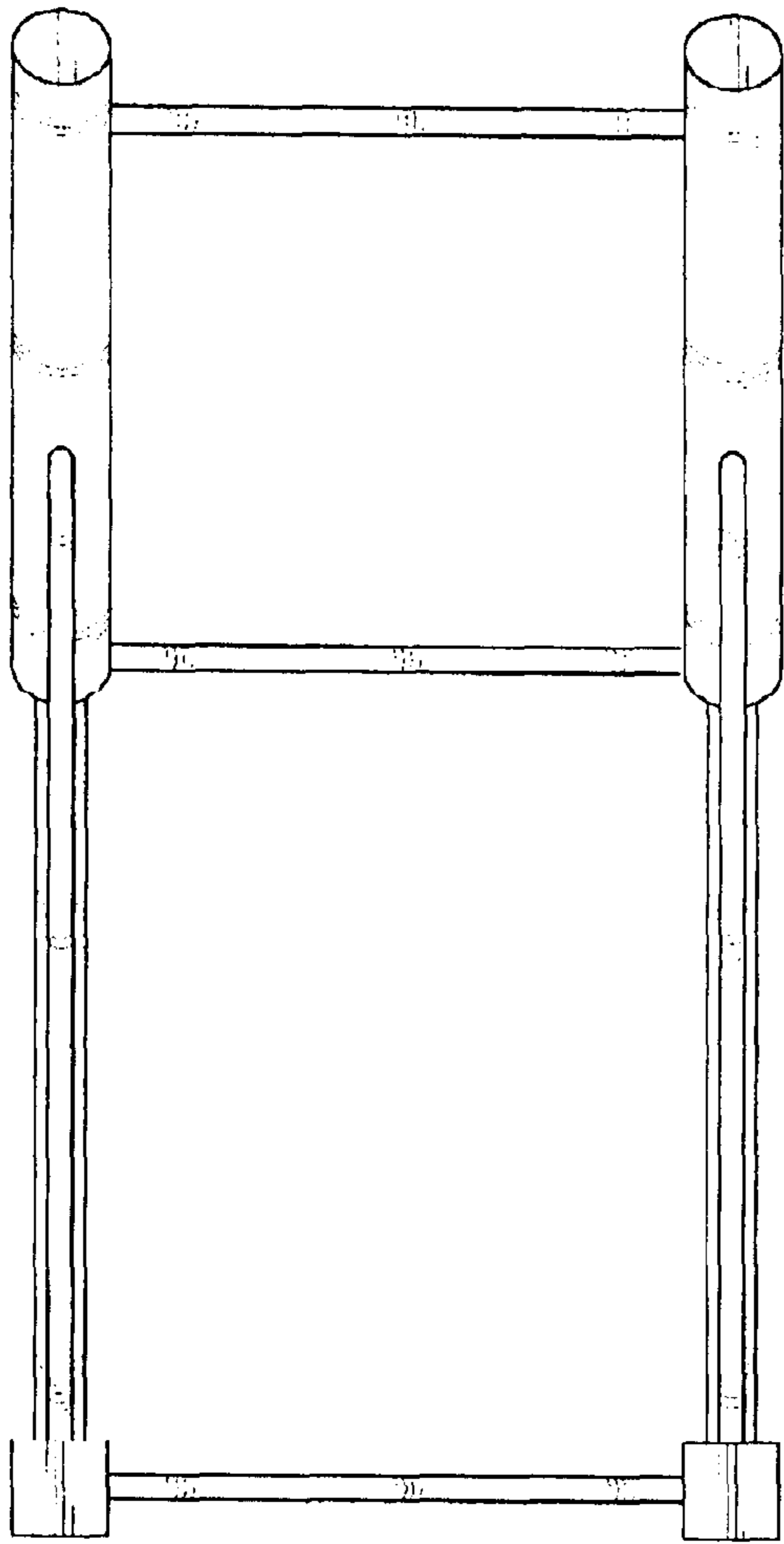


FIG. 6

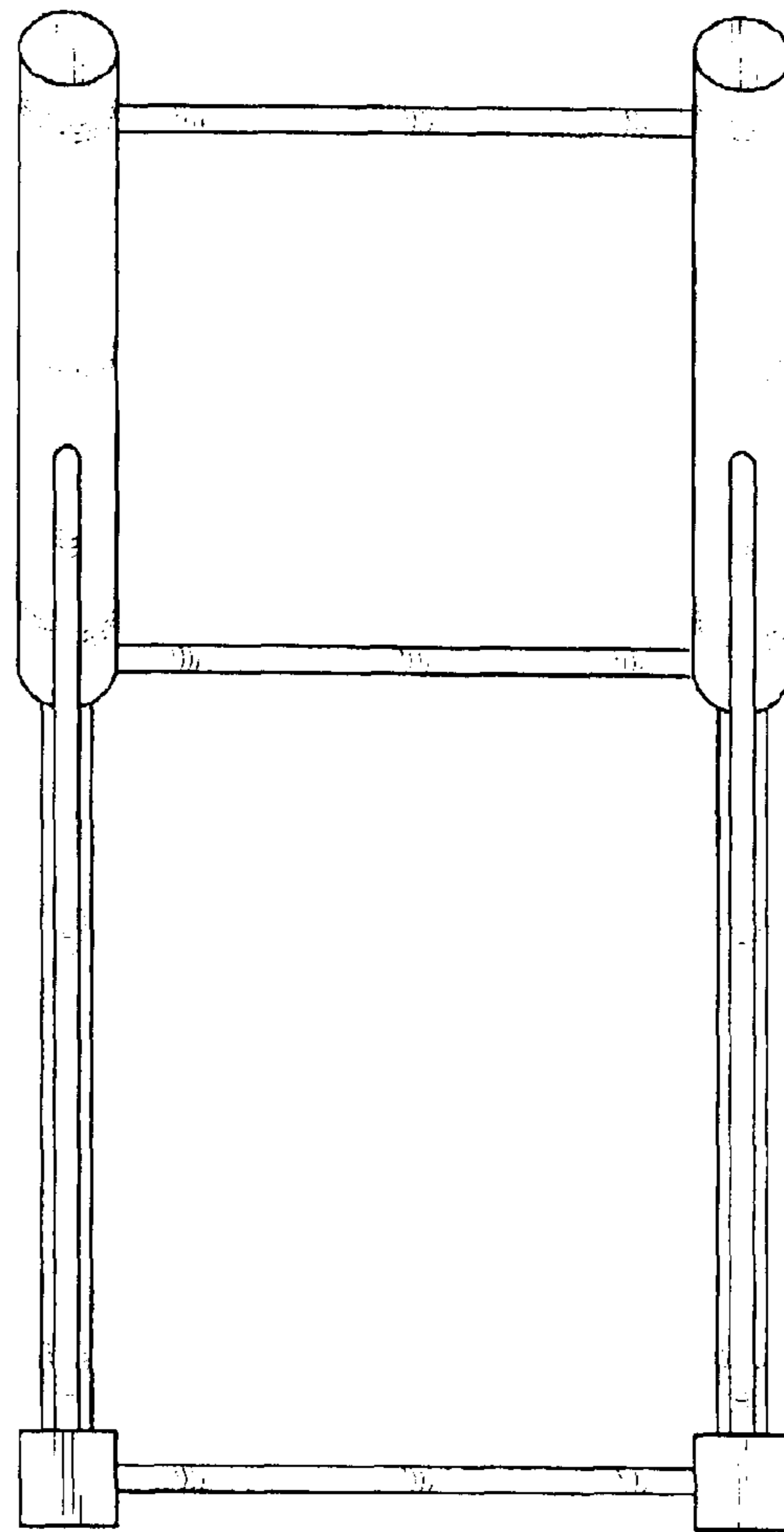


FIG. 7