

US00D540457S

(12) **United States Design Patent**
Rozier, Sr.

(10) **Patent No.:** **US D540,457 S**

(45) **Date of Patent:** **** Apr. 10, 2007**

(54) **DOUBLE C SHAPED GEOMETRIC LOG HOLDER**

(76) **Inventor:** **Jeffrey W. Rozier, Sr.**, 4168
Cherryshire Dr., Brunswick, OH (US)
44212

(**) **Term:** **14 Years**

(21) **Appl. No.:** **29/246,647**

(22) **Filed:** **May 1, 2006**

(51) **LOC (8) Cl.** **23-99**

(52) **U.S. Cl.** **D23/410**

(58) **Field of Classification Search** D23/396-406,
D23/409-410, 415-419, 499; D25/55, 59,
D25/60; 126/58, 245, 500, 540, 543, 544,
126/555, 9 A, 9 B; D6/348, 375, 396, 406.5,
D6/406.6, 415, 428-30, 441, 446, 448, 449,
D6/462, 463, 468, 469, 473, 630, 635; D21/346,
D21/348, 412, 826; 472/105, 114
See application file for complete search history.

(56) **References Cited**

U.S. PATENT DOCUMENTS

1,732,829	A	*	10/1929	Boardman	248/146
D128,246	S	*	7/1941	Leew	D6/463
D138,820	S	*	9/1944	Larson	D6/449
D177,234	S	*	3/1956	Hudson et al.	D23/410
D179,576	S	*	1/1957	Lane	D6/404
D198,865	S	*	8/1964	Borglum	D6/462
3,945,498	A	*	3/1976	Lampinen	211/60.1
D258,784	S	*	4/1981	Edson	D6/473
D313,132	S	*	12/1990	Masacek	D6/469
D331,322	S	*	12/1992	Schmitt	D6/334

D338,357	S	*	8/1993	Dworkin	D6/462
D381,413	S	*	7/1997	Feinsilber	D23/410
D426,878	S	*	6/2000	Denney et al.	D23/410
D518,886	S	*	4/2006	Hoffman et al.	D23/410
D521,636	S	*	5/2006	Holland	D23/410

* cited by examiner

Primary Examiner—Sandra Snapp

Assistant Examiner—Karen Acker

(74) *Attorney, Agent, or Firm*—Howard M. Cohn

(57) **CLAIM**

I claim the ornamental design for a double C shaped geometric log holder, as shown and described.

DESCRIPTION

FIG. 1 is a left, front perspective view of a double C shaped geometric log holder;

FIG. 2 is a top plan view of a double C shaped geometric log holder;

FIG. 3 is a front elevational view of a double C shaped geometric log holder;

FIG. 4 is a rear elevational view of a double C shaped geometric log holder;

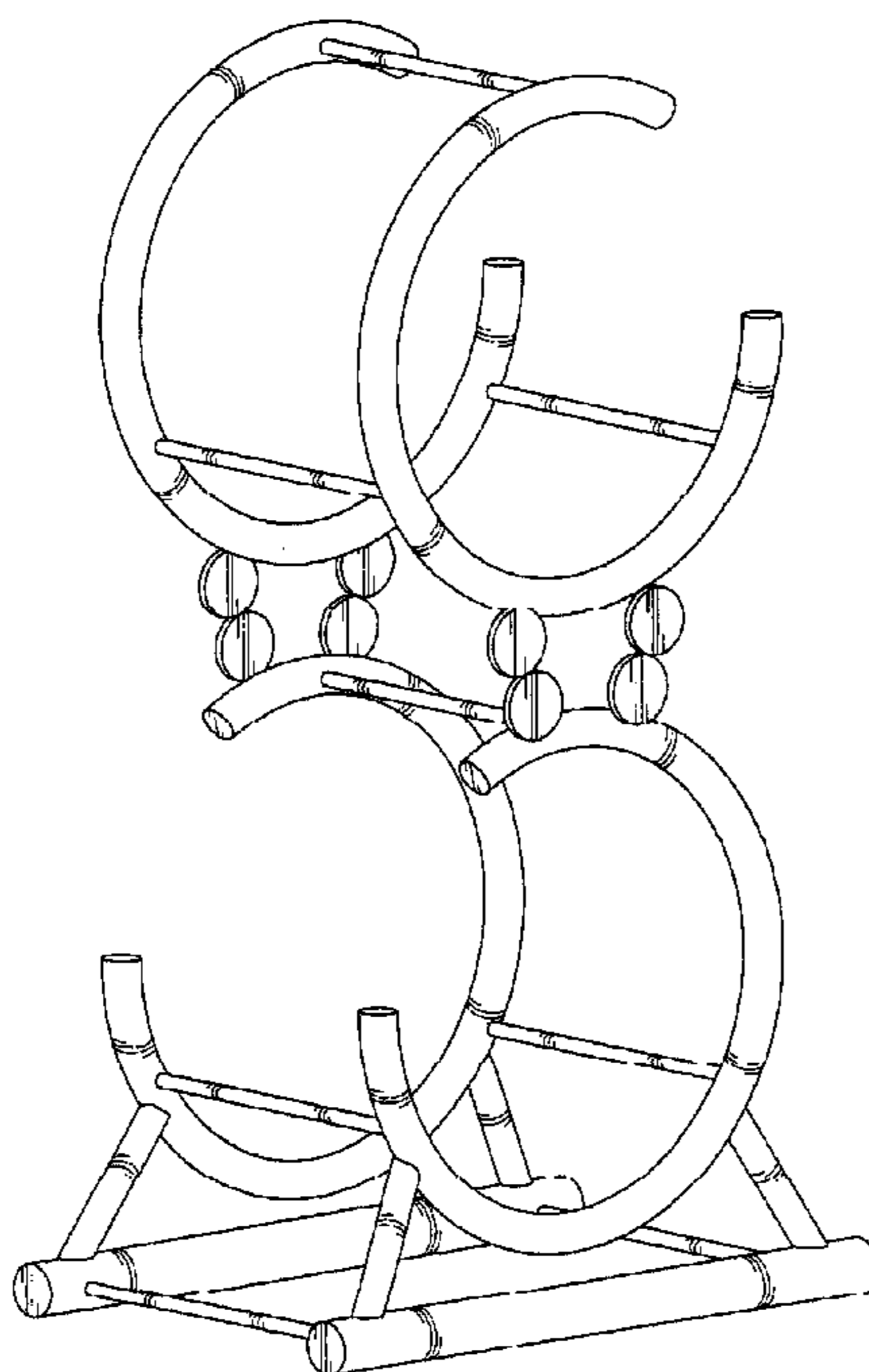
FIG. 5 is a bottom plan view of a double C shaped geometric log holder;

FIG. 6 is a right side elevational view of a double C shaped geometric log holder; and,

FIG. 7 is a left side elevational view of a double C shaped geometric log holder.

The surface shading represents the surface of the double C shaped geometric log holder.

1 Claim, 4 Drawing Sheets



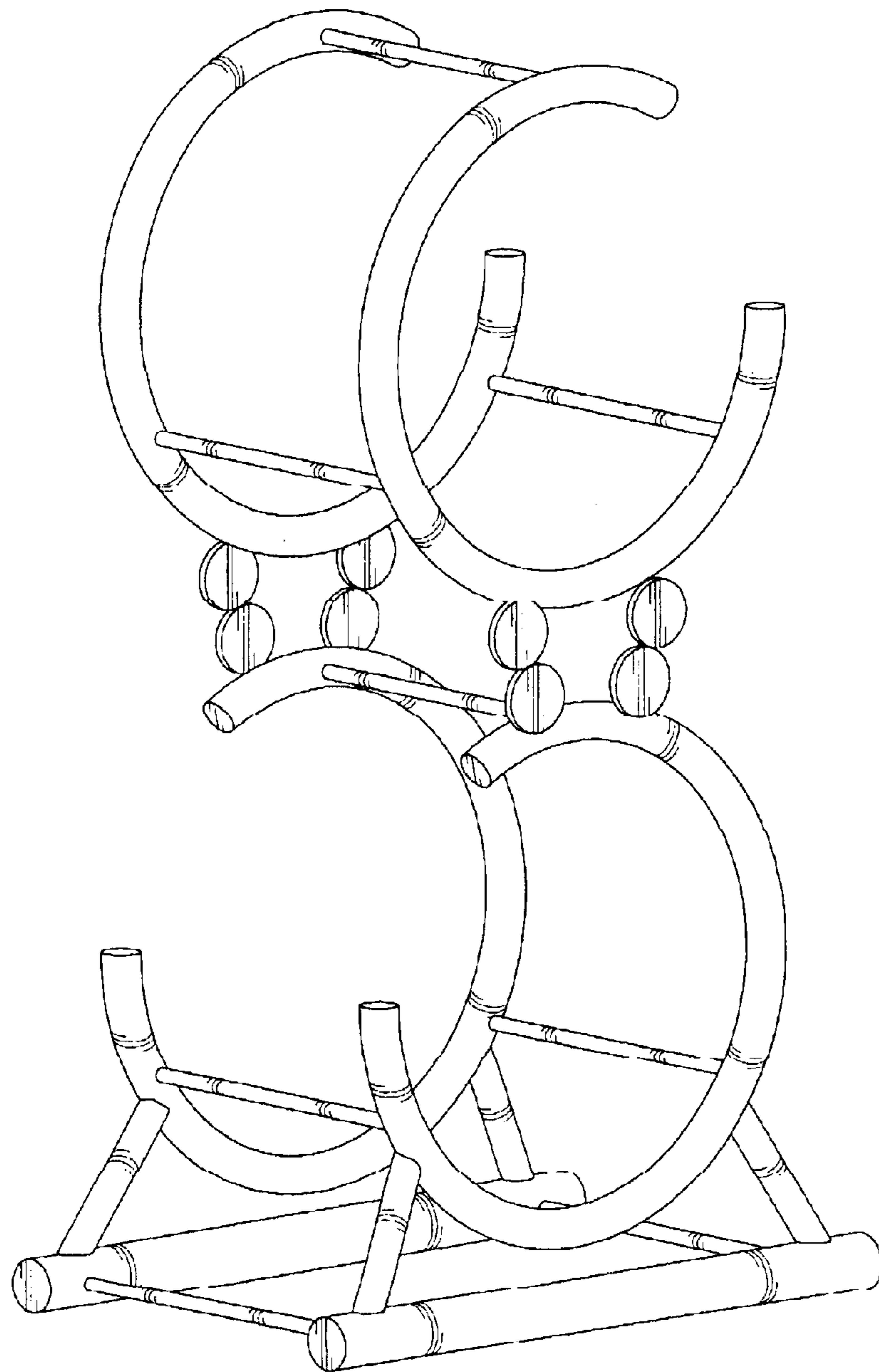


FIG. 1

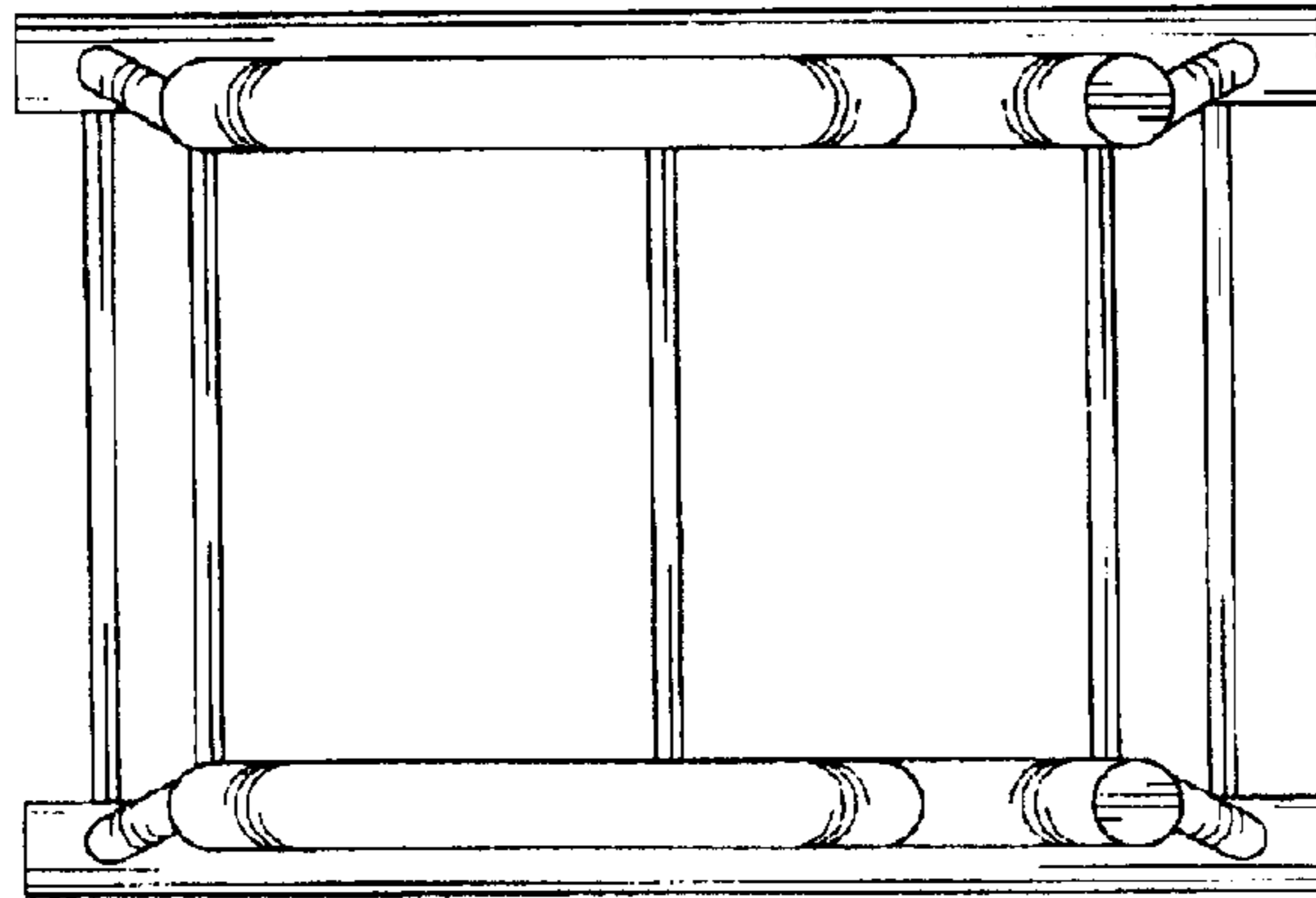


FIG. 2

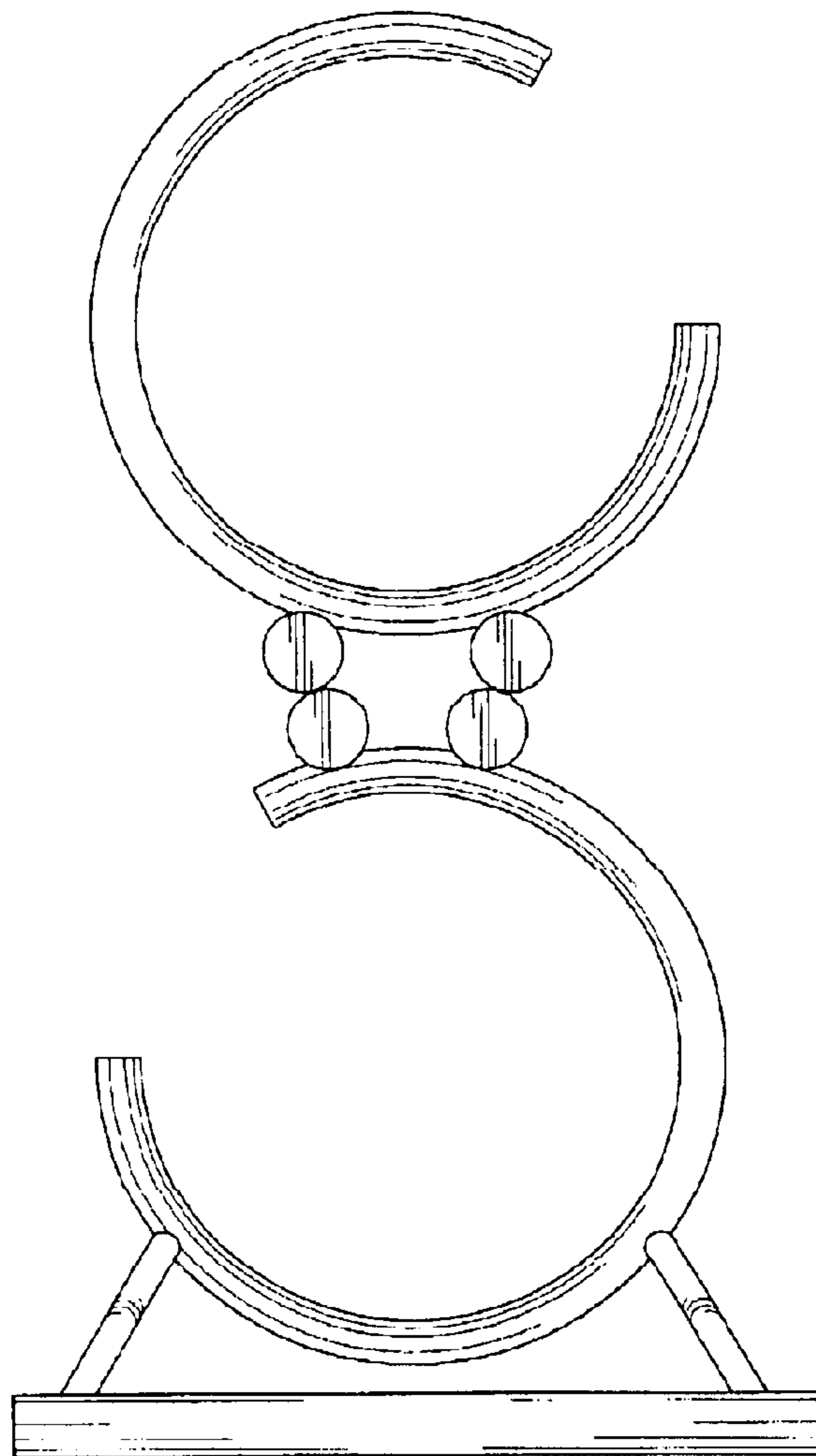


FIG. 3

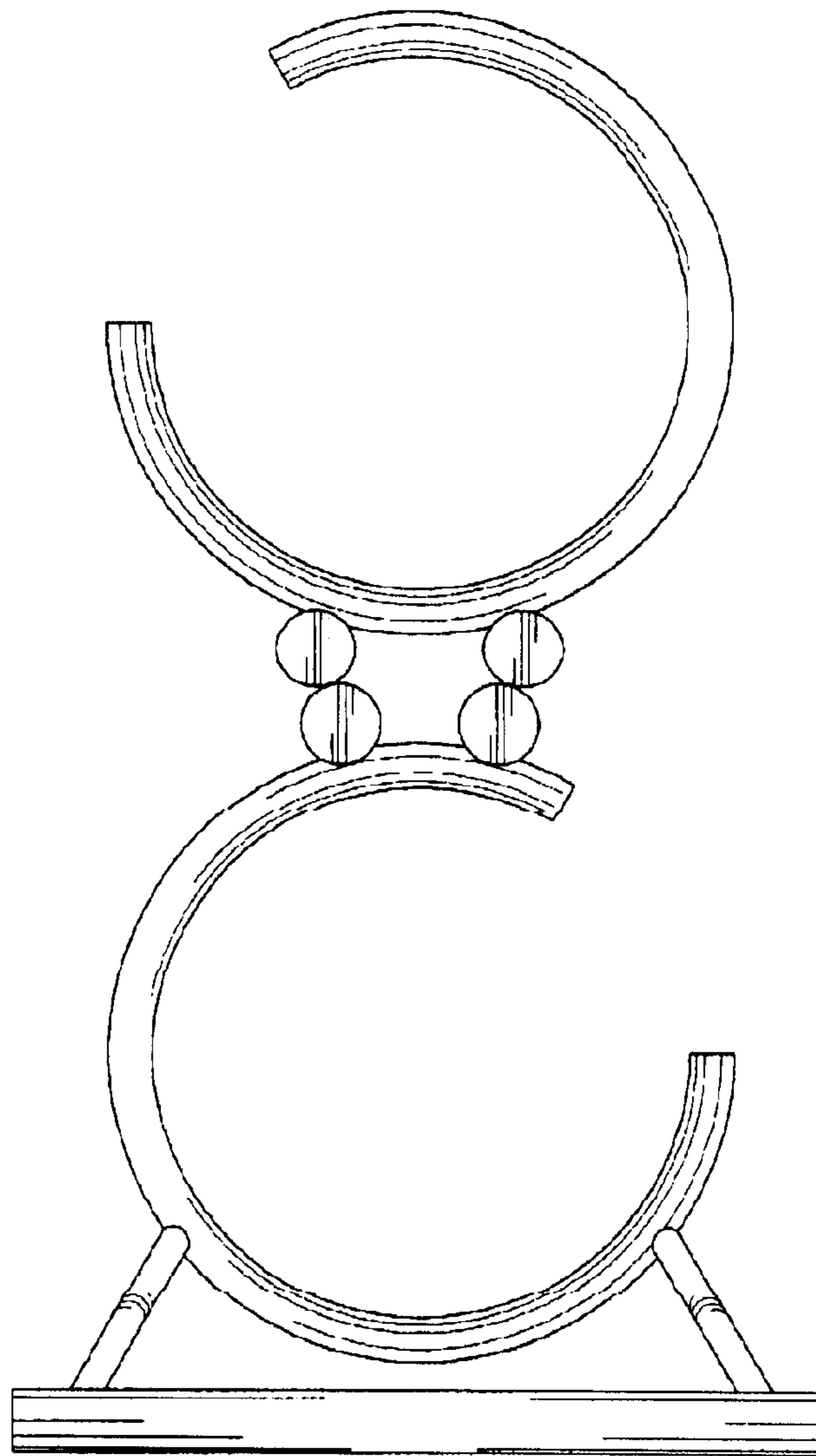


FIG. 4

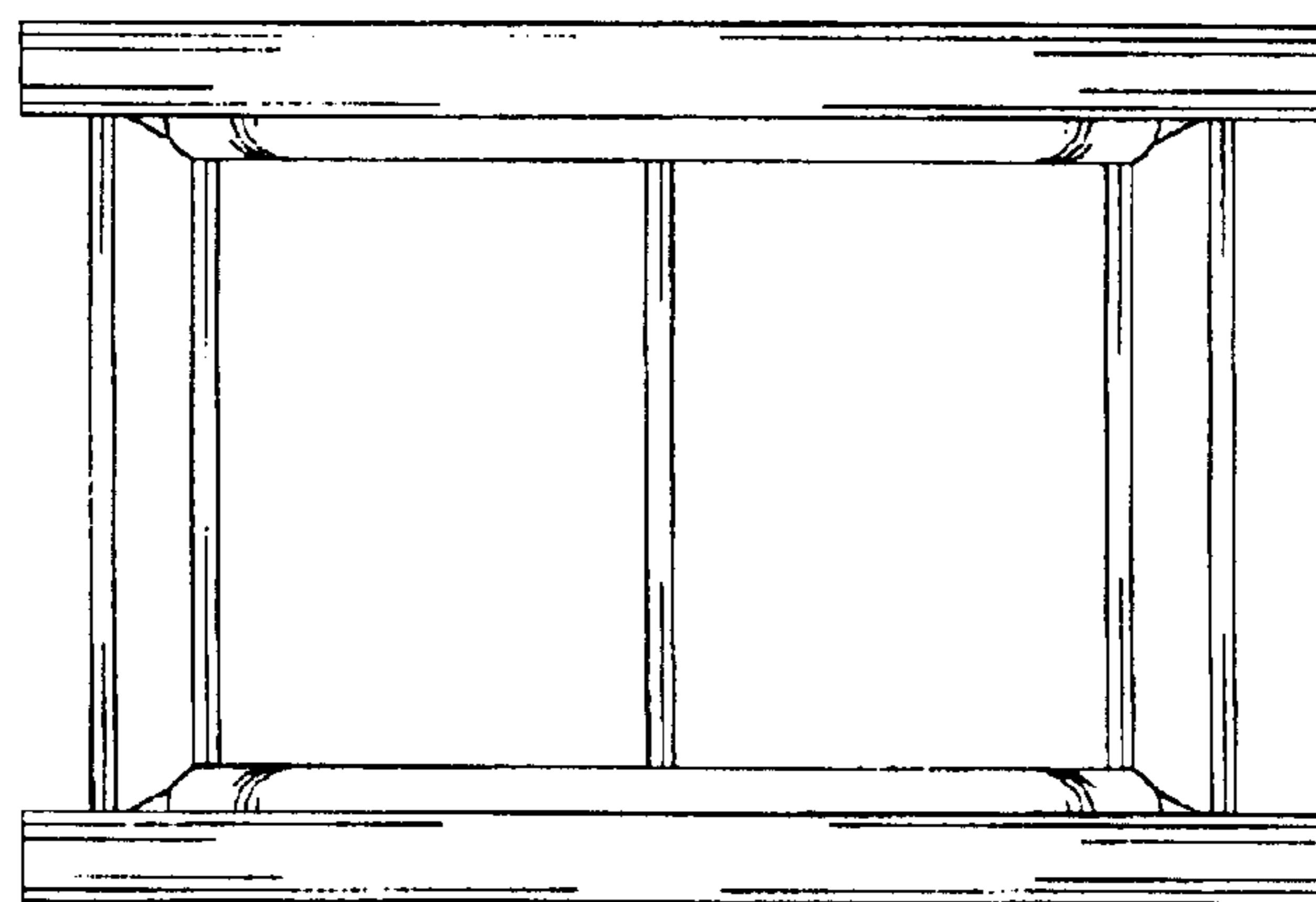


FIG. 5

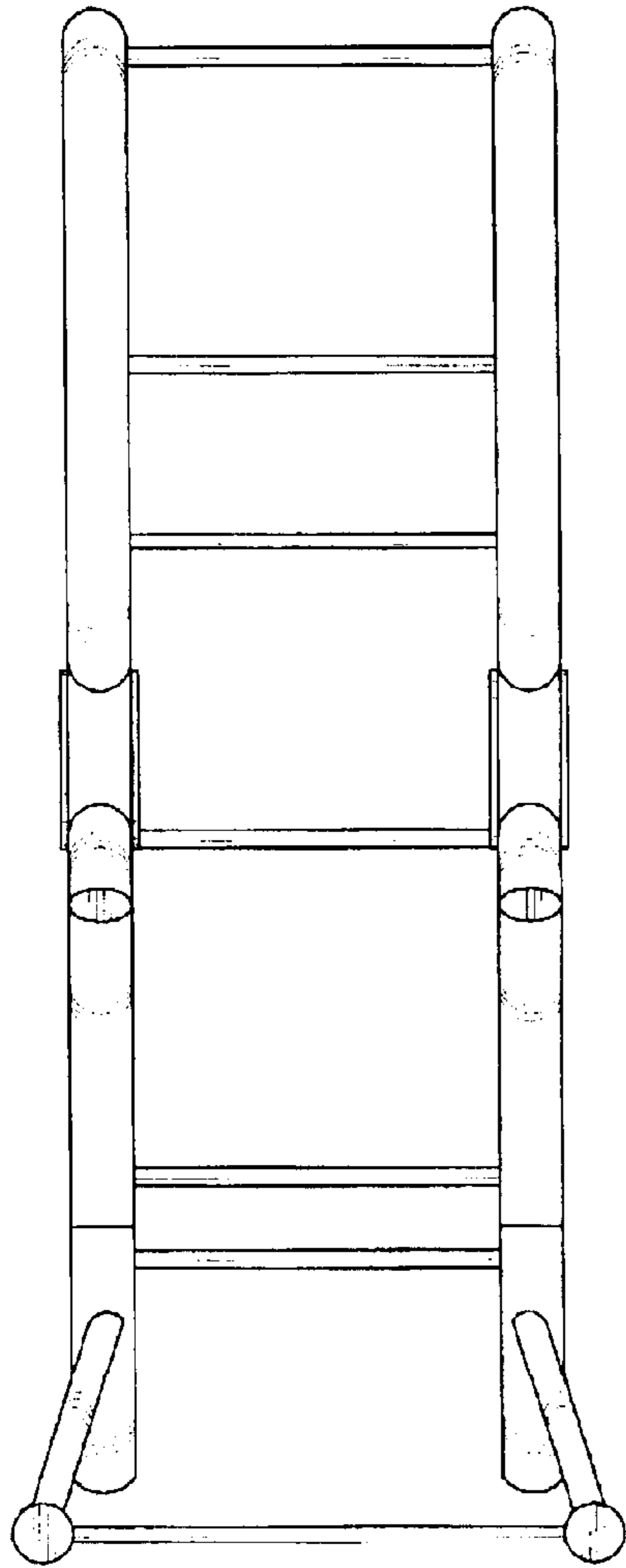


FIG. 6

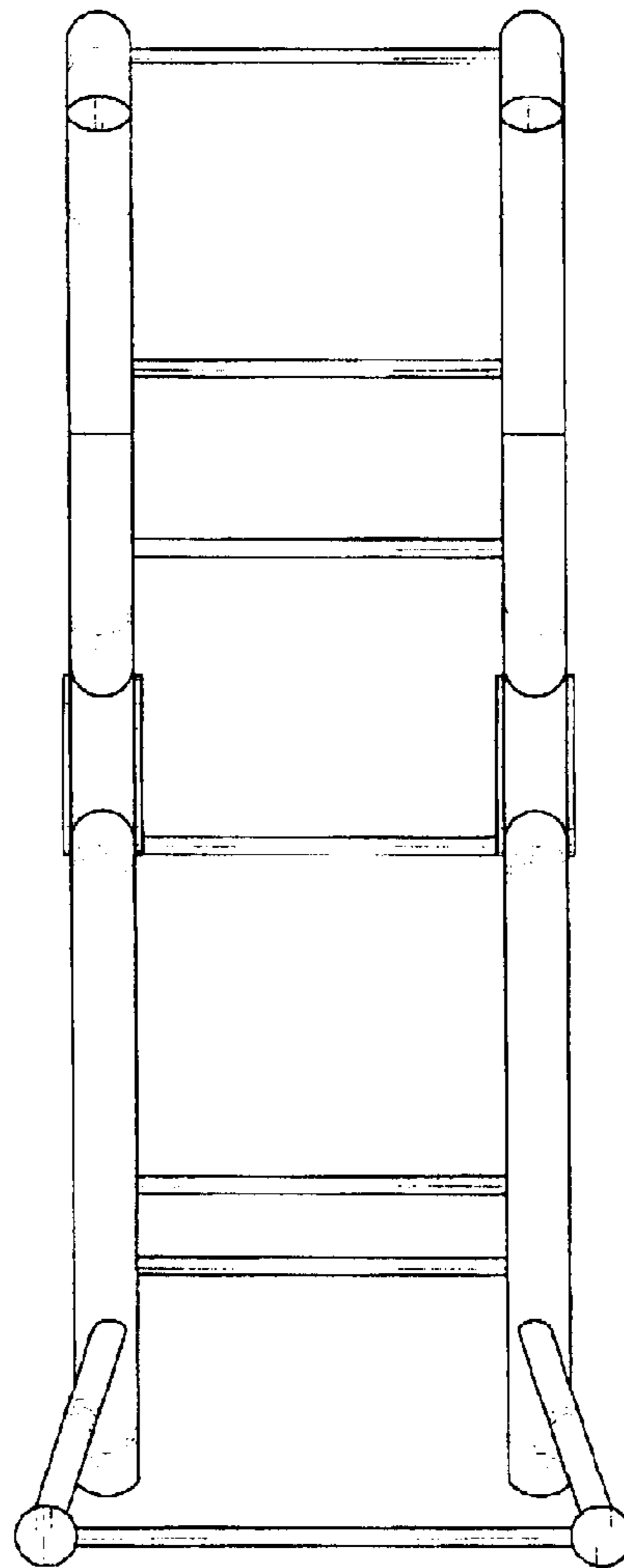


FIG. 7