



US00D540455S

(12) **United States Design Patent**
Ferraro, Sr.

(10) **Patent No.:** **US D540,455 S**

(45) **Date of Patent:** **** Apr. 10, 2007**

(54) **AIR BLOWER UNIT FOR AN INFLATABLE BODY**

D530,002 S * 10/2006 Ching D23/317

* cited by examiner

(75) Inventor: **Allan R. Ferraro, Sr.**, Attleboro, MA (US)

Primary Examiner—Lisa Lichtenstein
(74) *Attorney, Agent, or Firm*—Foley Hoag LLP

(73) Assignee: **Aqua Leisure Industries, Inc.**, Avon, MA (US)

(57) **CLAIM**

(**) Term: **14 Years**

The ornamental design for an air blower unit for an inflatable body, as shown and described.

(21) Appl. No.: **29/242,266**

DESCRIPTION

(22) Filed: **Nov. 8, 2005**

FIG. 1 is a perspective view of the air blower unit for an inflatable body according to my new design, as seen from the right front corner thereof. The dashed lines are for illustrative purposes only and do not form part of the design. FIG. 2 is perspective view as seen from the left front corner thereof.

(51) **LOC (8) Cl.** **23-04**

(52) **U.S. Cl.** **D23/383**

(58) **Field of Classification Search** D23/383, D23/370; 415/204, 206, 213.1, 214.1
See application file for complete search history.

FIG. 3 is a left side elevational view thereof.

FIG. 4 is a top plan view thereof.

FIG. 5 is a front elevational view thereof.

FIG. 6 is a right side elevational view thereof.

FIG. 7 is a rear elevational view thereof; and,

FIG. 8 is a bottom plan view thereof.

The broken line showing of the electrical cords and a power connection is included for the purpose of illustrating environmental structure and forms no part of the claimed design.

(56) **References Cited**

U.S. PATENT DOCUMENTS

- D328,640 S * 8/1992 Conger, IV D23/383
- 5,931,207 A * 8/1999 Gianino 141/382
- D422,351 S * 4/2000 Griffin D23/383
- 6,793,469 B2 * 9/2004 Chung 417/411

1 Claim, 3 Drawing Sheets

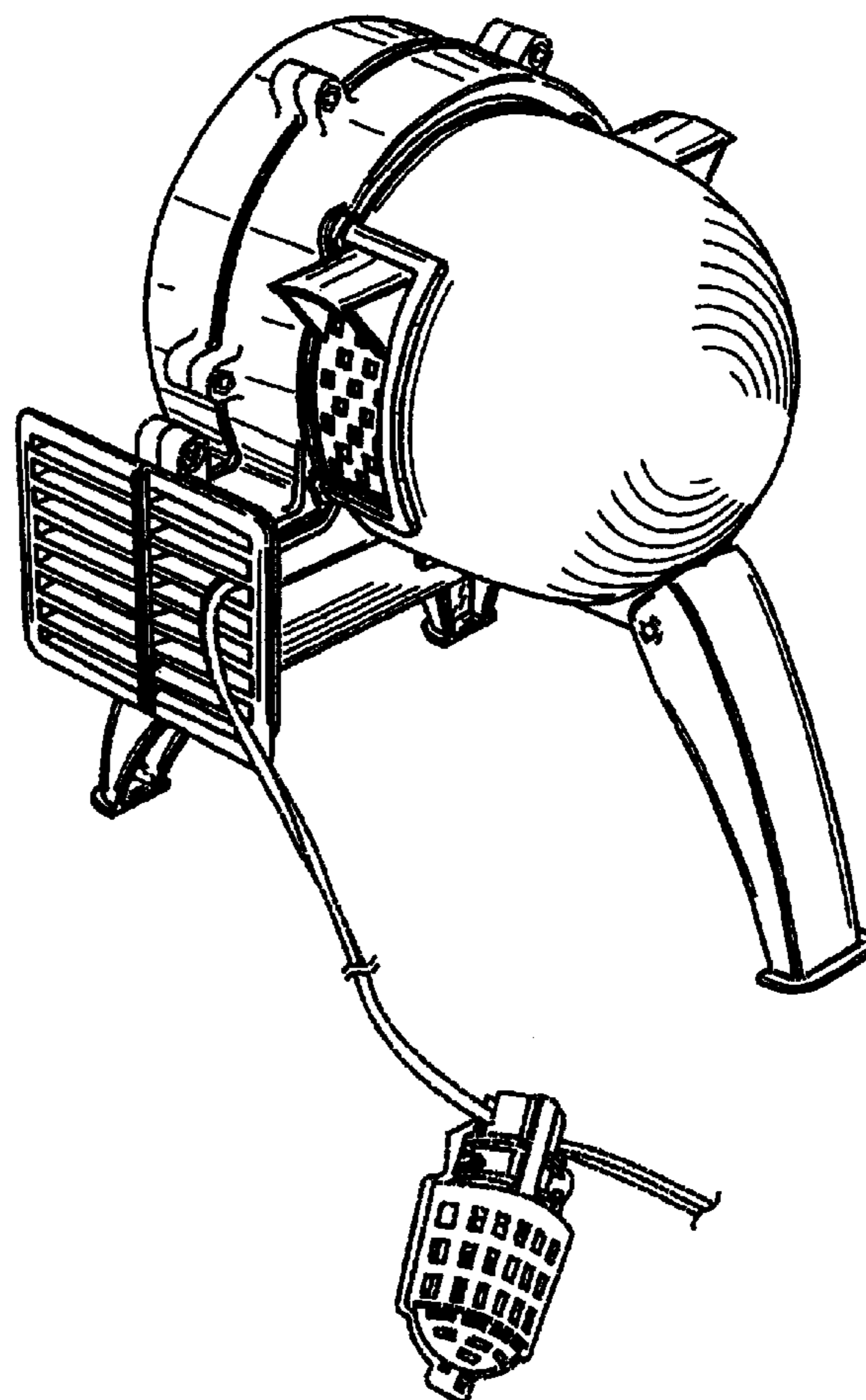


FIG. 1

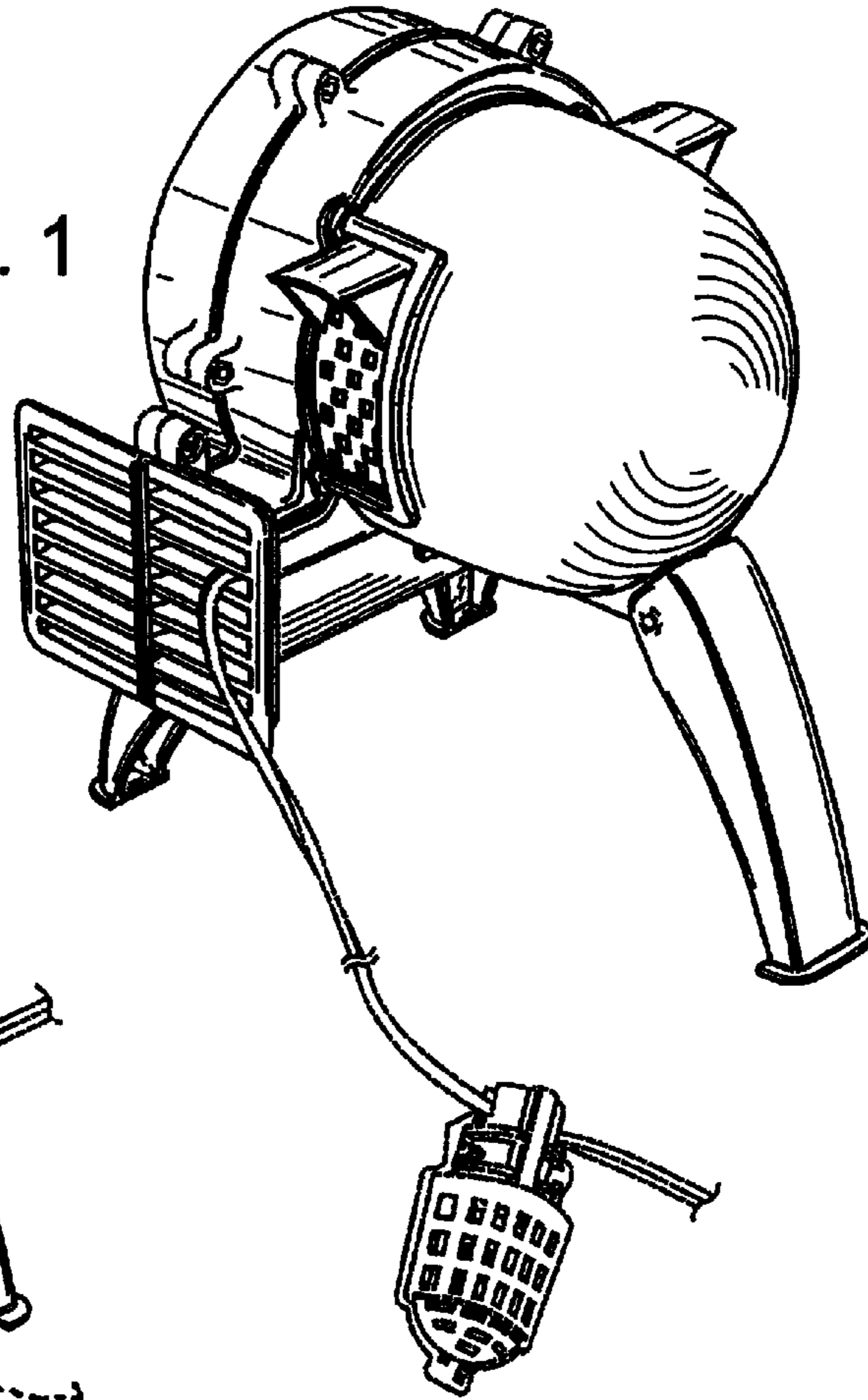


FIG. 2

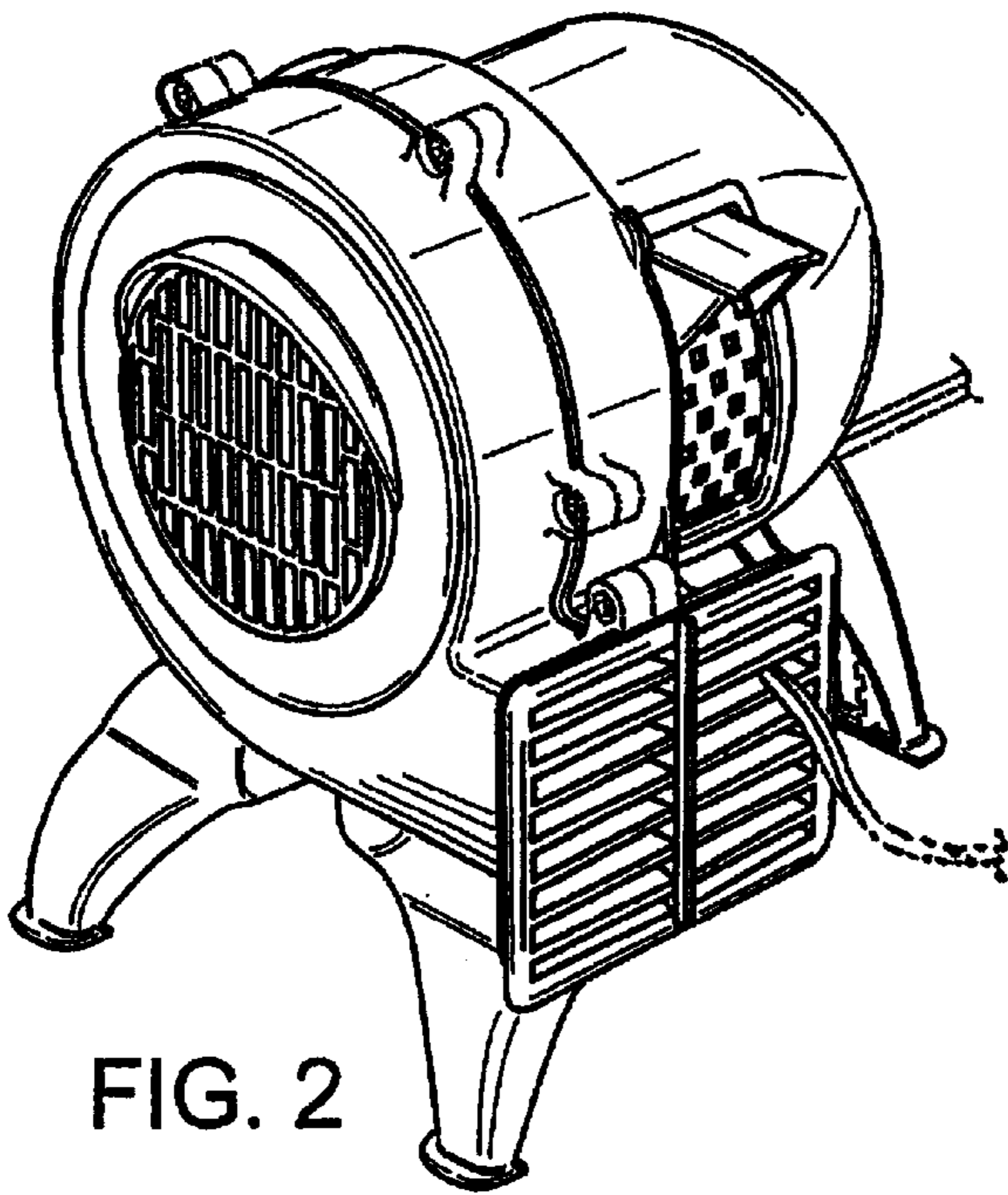
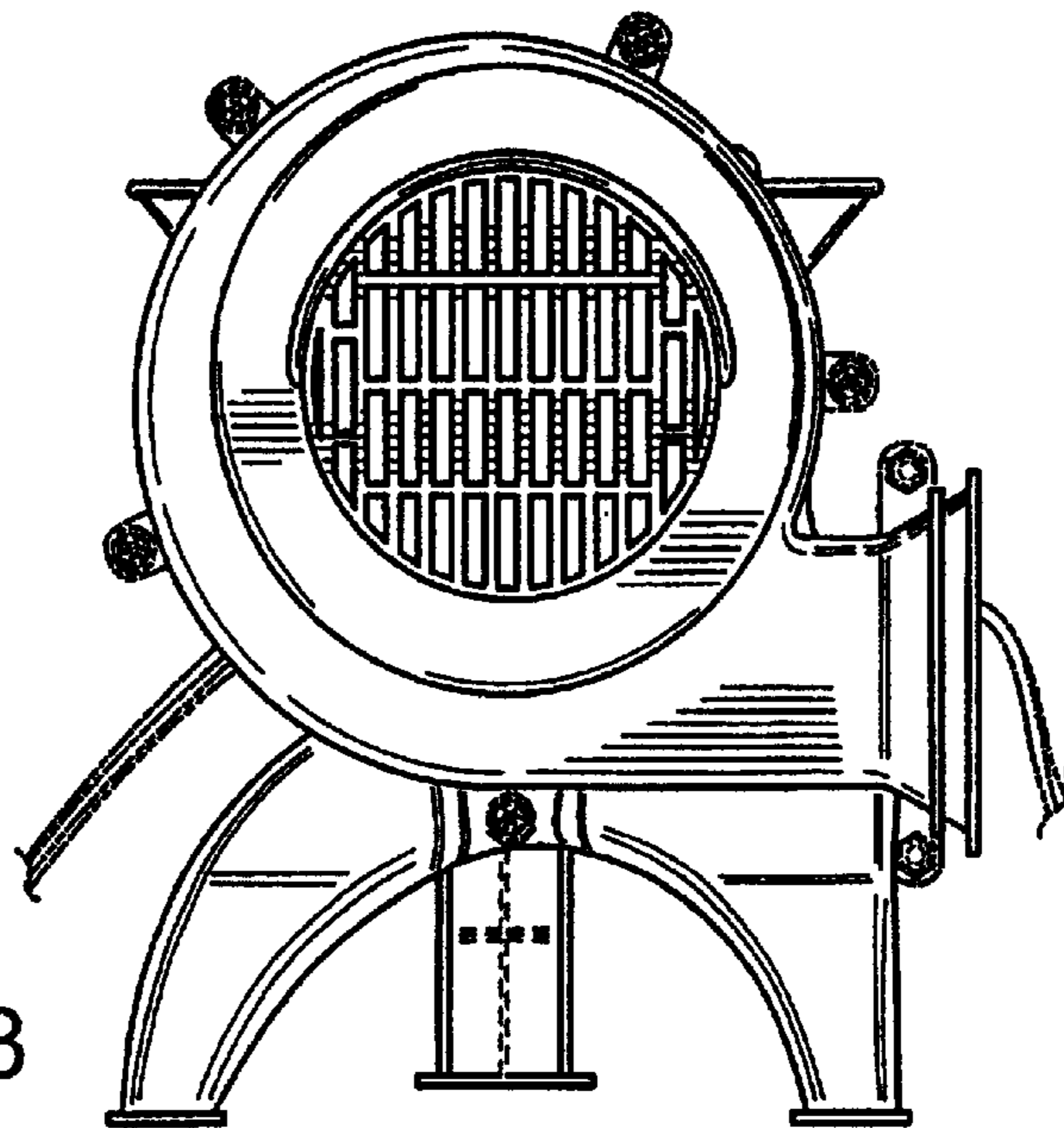


FIG. 3



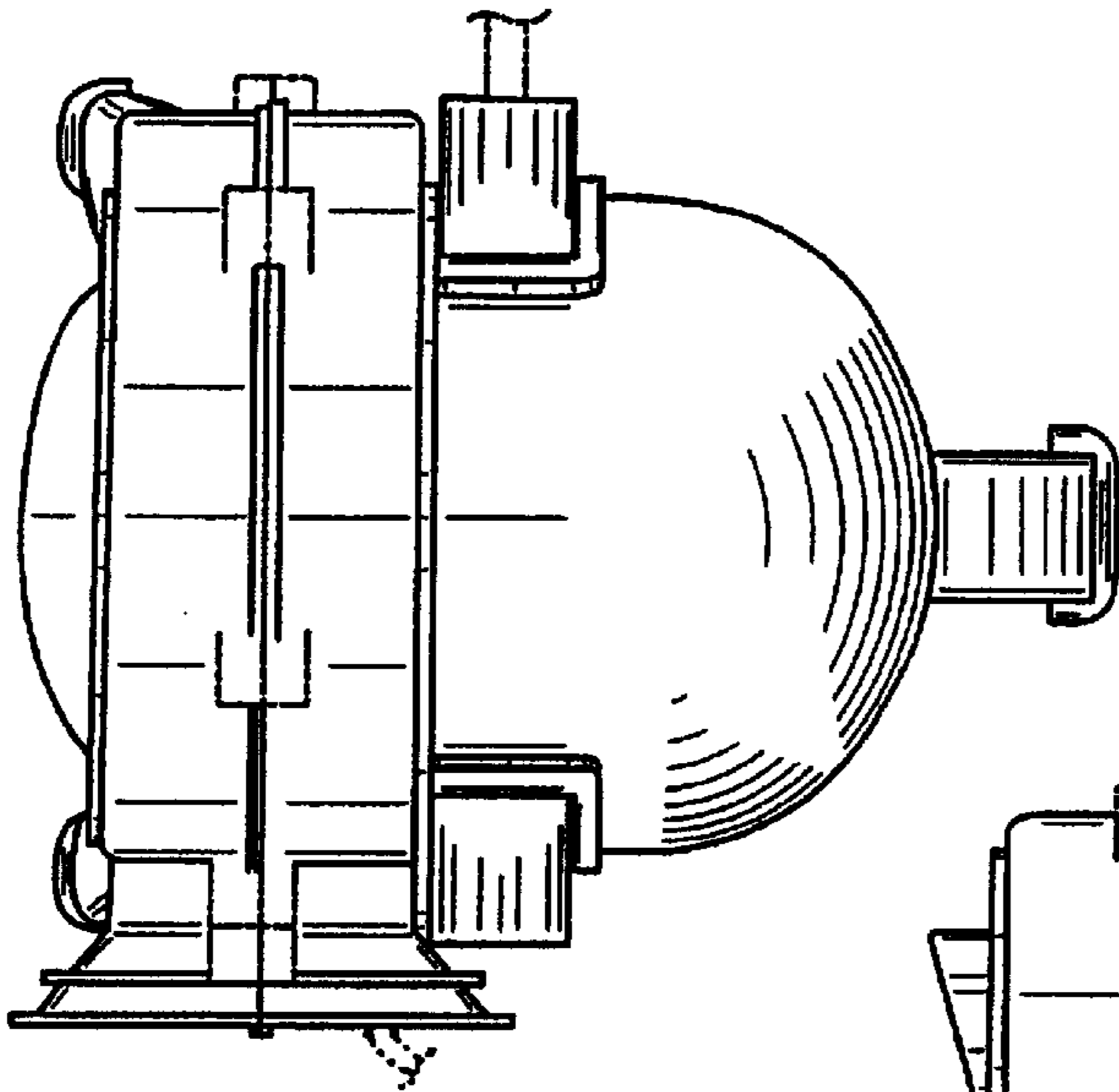


FIG. 4

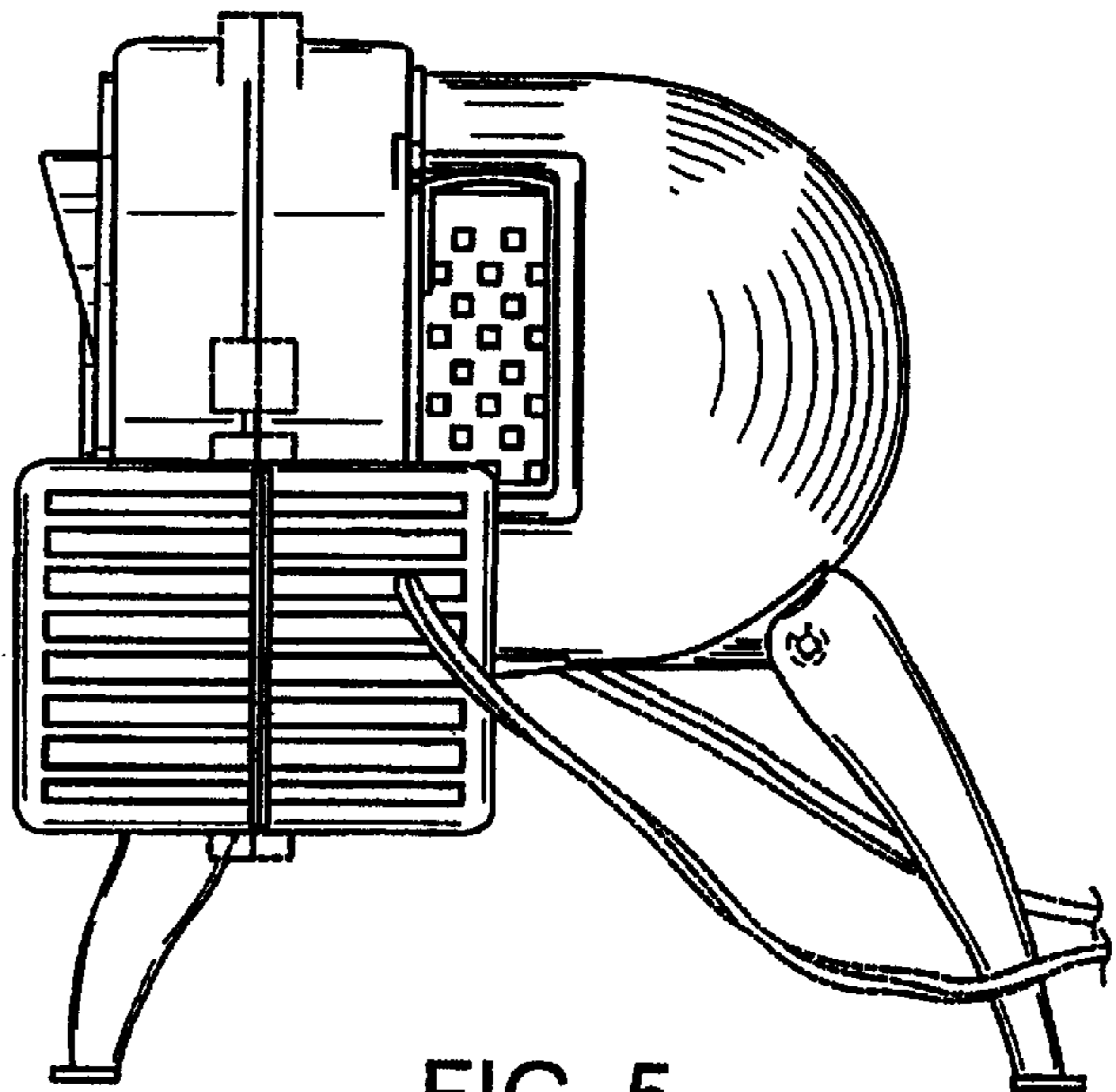


FIG. 5

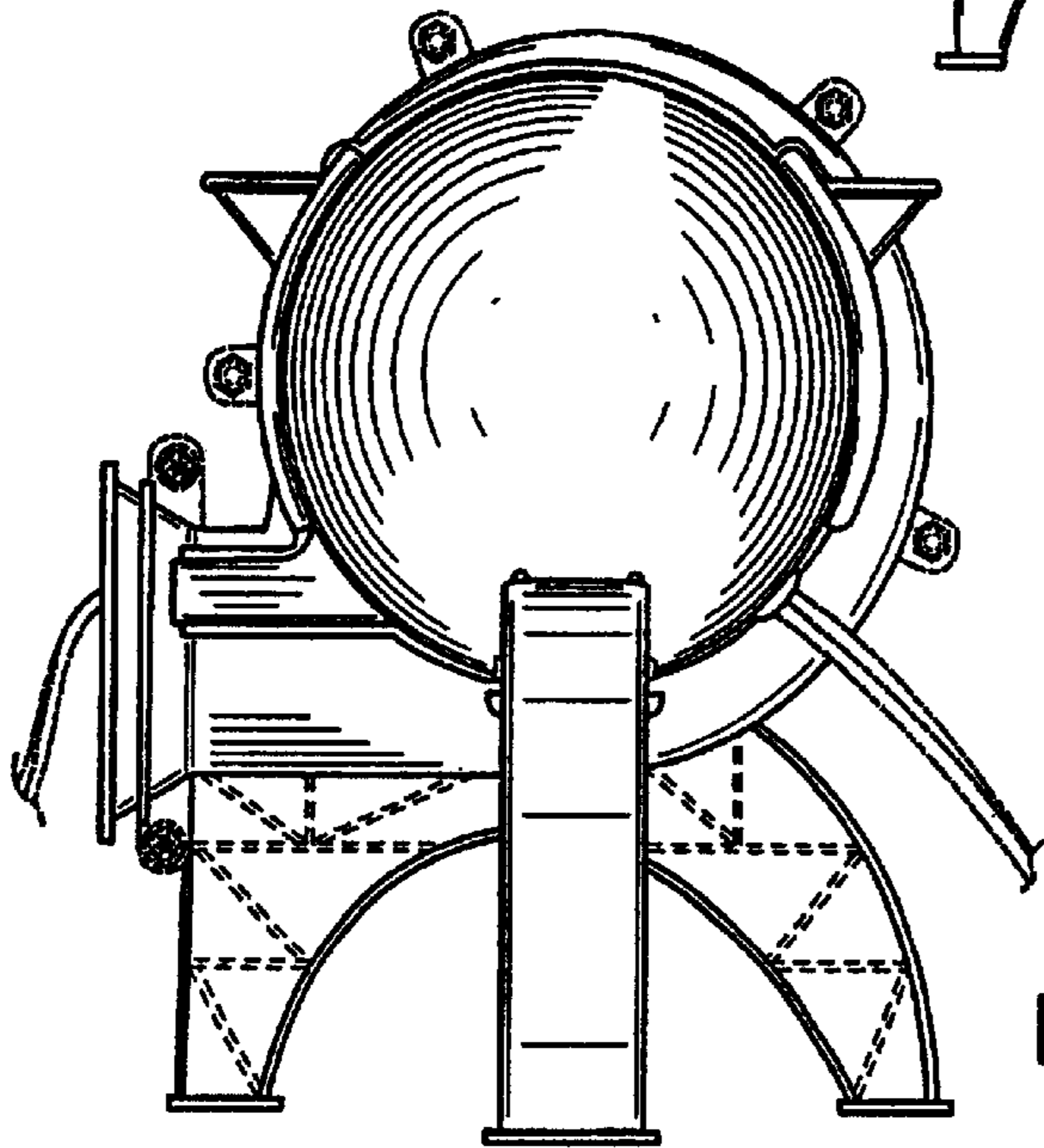


FIG. 6

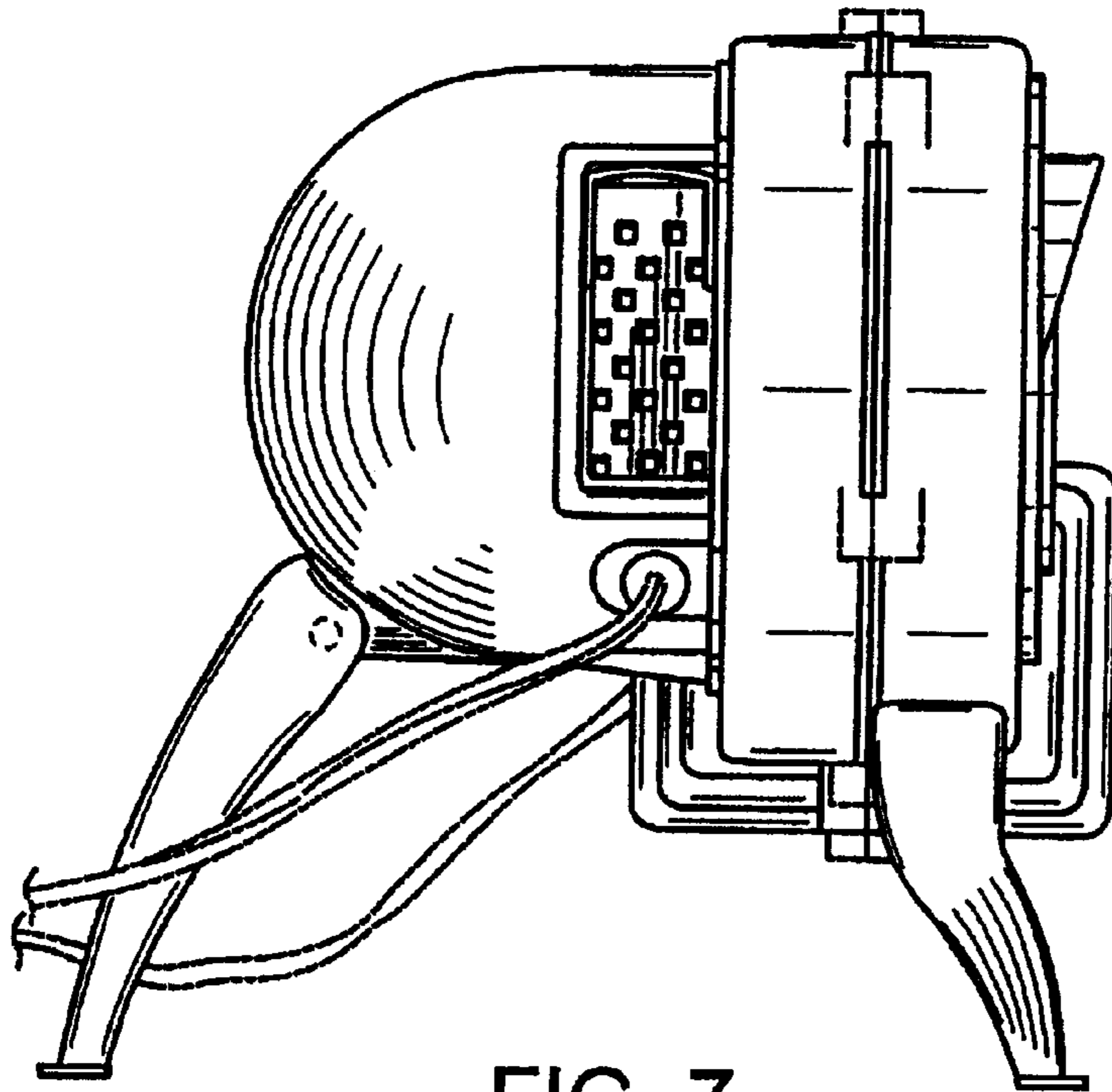


FIG. 7

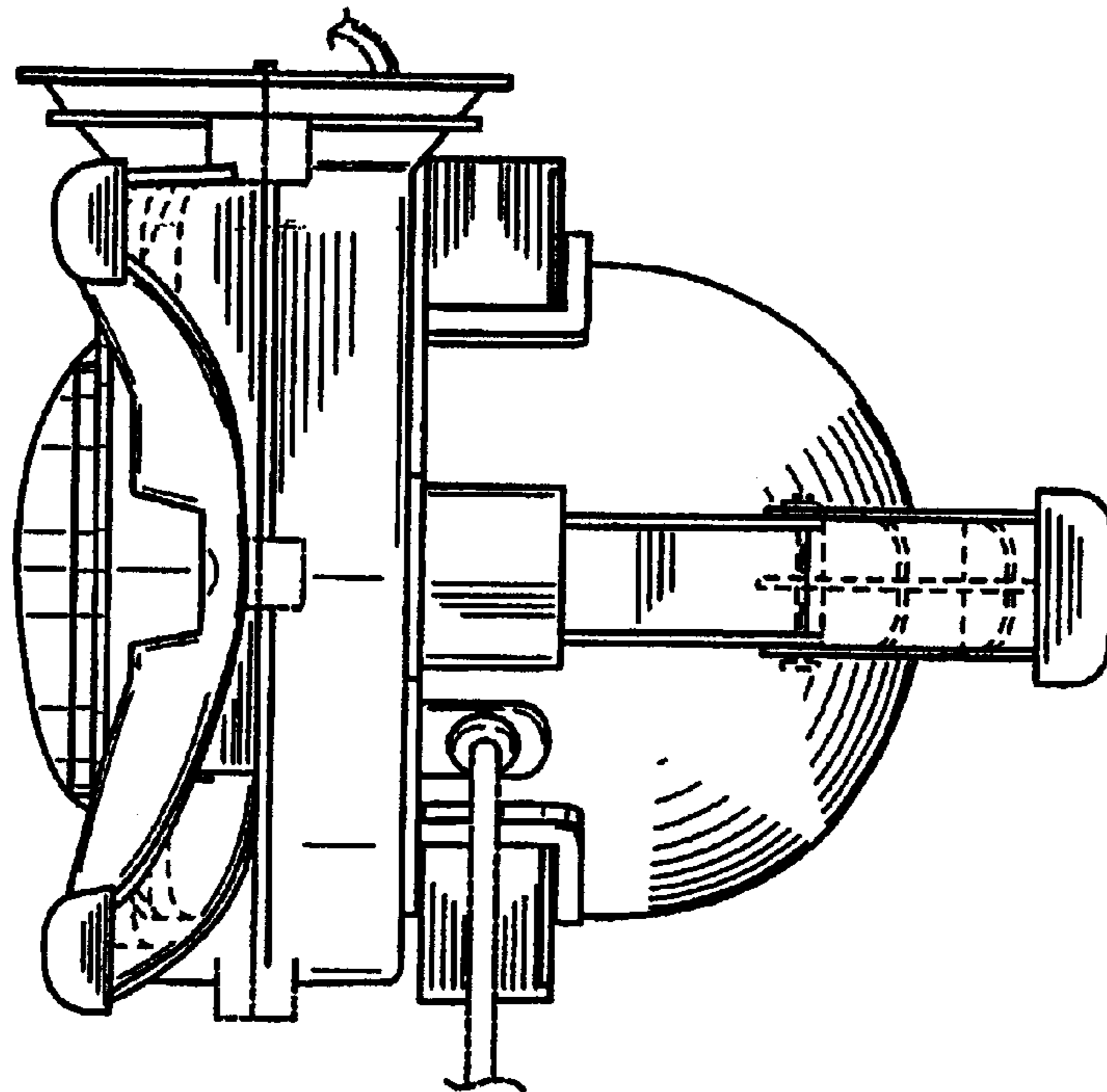


FIG. 8