



US00D540452S

(12) **United States Design Patent**  
**Narayanamurthy et al.**

(10) **Patent No.:** **US D540,452 S**

(45) **Date of Patent:** **\*\* Apr. 10, 2007**

(54) **ICE STORAGE AIR CONDITIONER**

(75) Inventors: **Ramachandran Narayanamurthy**,  
Loveland, CO (US); **Robert R. Willis**,  
**Jr.**, Fort Collins, CO (US)

(73) Assignee: **Ice Energy, Inc.**, Windsor, CO (US)

(\*\*) Term: **14 Years**

(21) Appl. No.: **29/257,277**

(22) Filed: **Mar. 31, 2006**

(51) **LOC (8) Cl.** ..... **23-04**

(52) **U.S. Cl.** ..... **D23/351**

(58) **Field of Classification Search** ..... D23/351;  
312/236; 62/259.1, 259.3, 259.4, 262-263,  
62/304, 401, 515-516; 454/330-331, 349-350,  
454/335, 354

See application file for complete search history.

(56) **References Cited**

**U.S. PATENT DOCUMENTS**

- D271,328 S \* 11/1983 Lanier et al. .... D23/351
- 4,470,271 A \* 9/1984 Draper et al. .... 62/259.1
- D353,883 S \* 12/1994 Blanchard ..... D23/351

- 5,660,054 A \* 8/1997 Rice ..... 62/259.1
- D434,126 S \* 11/2000 Caronna et al. .... D23/351
- D449,094 S \* 10/2001 Caronna et al. .... D23/351
- D454,186 S \* 3/2002 Caronna et al. .... D23/351
- D463,540 S \* 9/2002 Kammer et al. .... D23/351
- D529,157 S \* 9/2006 Tice et al. .... D23/351

\* cited by examiner

*Primary Examiner*—Brian N Vinson

(74) *Attorney, Agent, or Firm*—Cochran Freund & Young  
LLC; Paul M. Thompson

(57) **CLAIM**

The ornamental design for an ice storage air conditioner, as shown and described.

**DESCRIPTION**

FIG. 1 is an isometric view of an ice storage air conditioner showing our new design.

FIG. 2 is a front elevation view thereof.

FIG. 3 is a top plan view thereof.

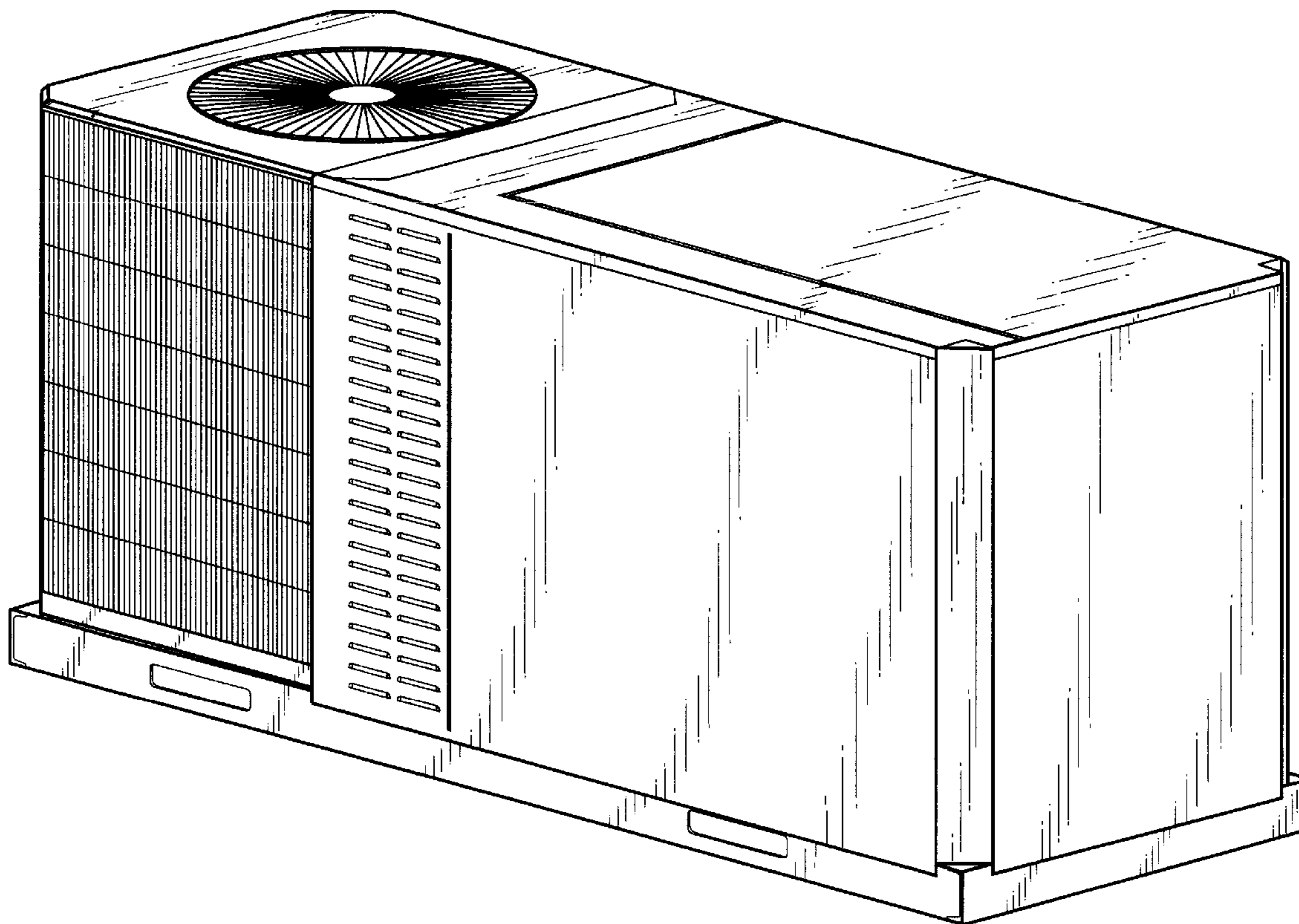
FIG. 4 is a left side elevation view thereof.

FIG. 5 is a right side elevation view thereof.

FIG. 6 is a rear elevation view thereof; and,

FIG. 7 is a bottom plan view thereof.

**1 Claim, 7 Drawing Sheets**



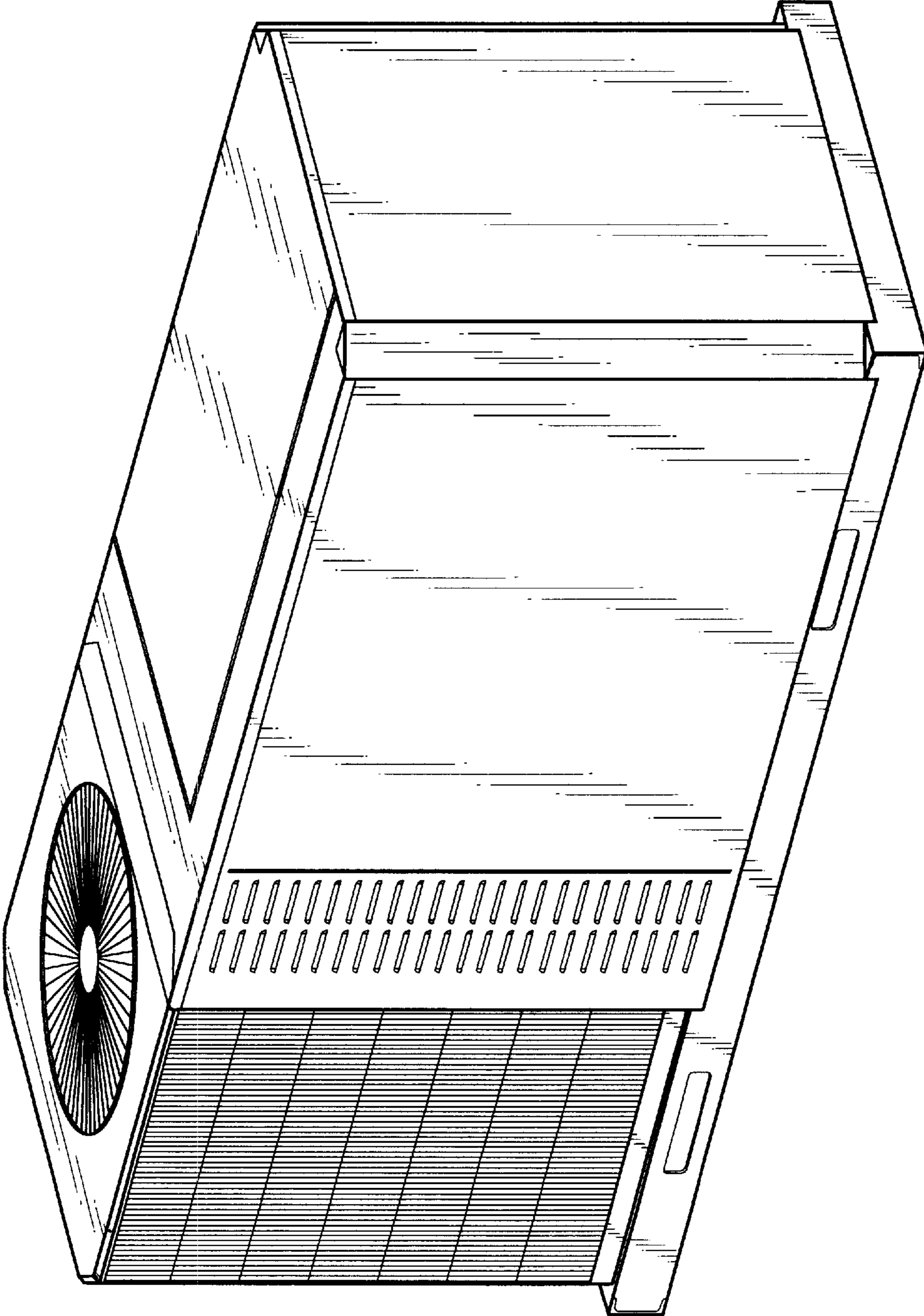
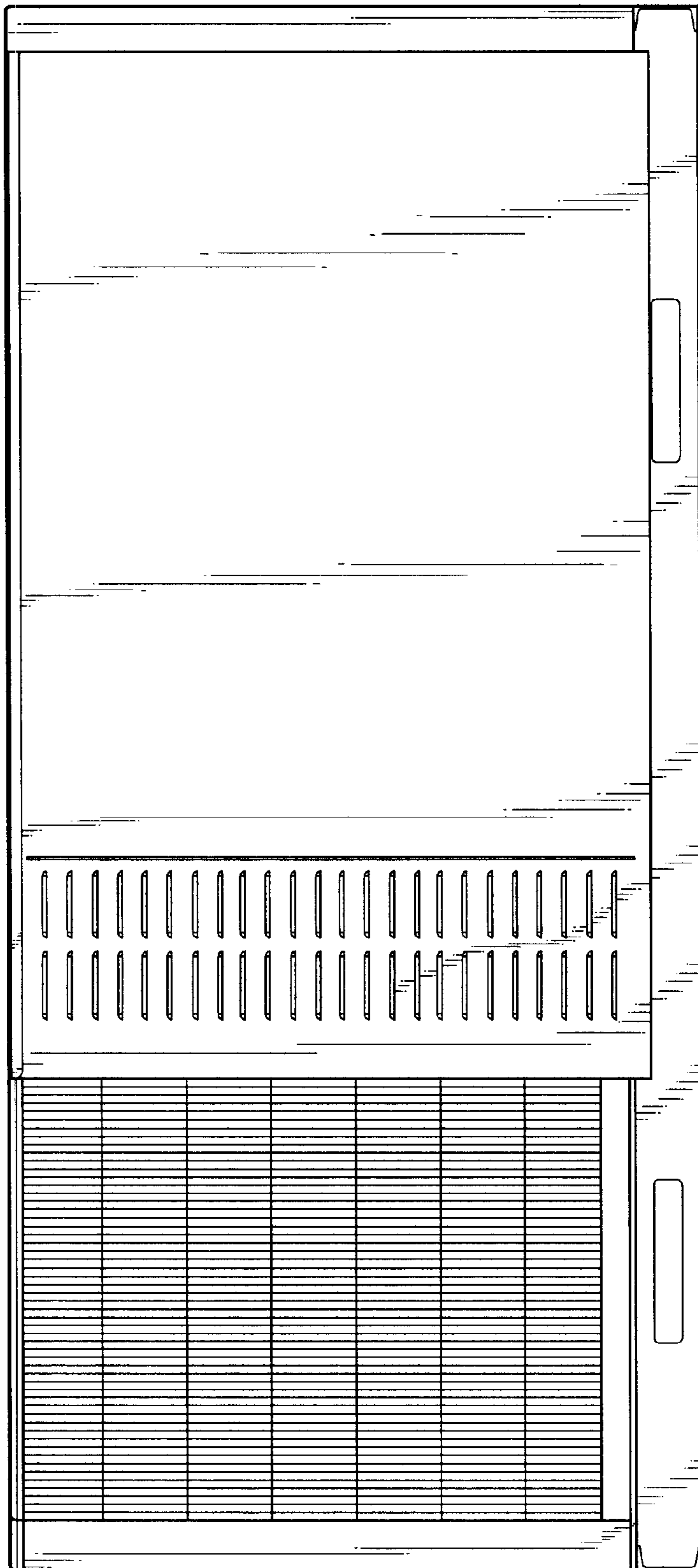
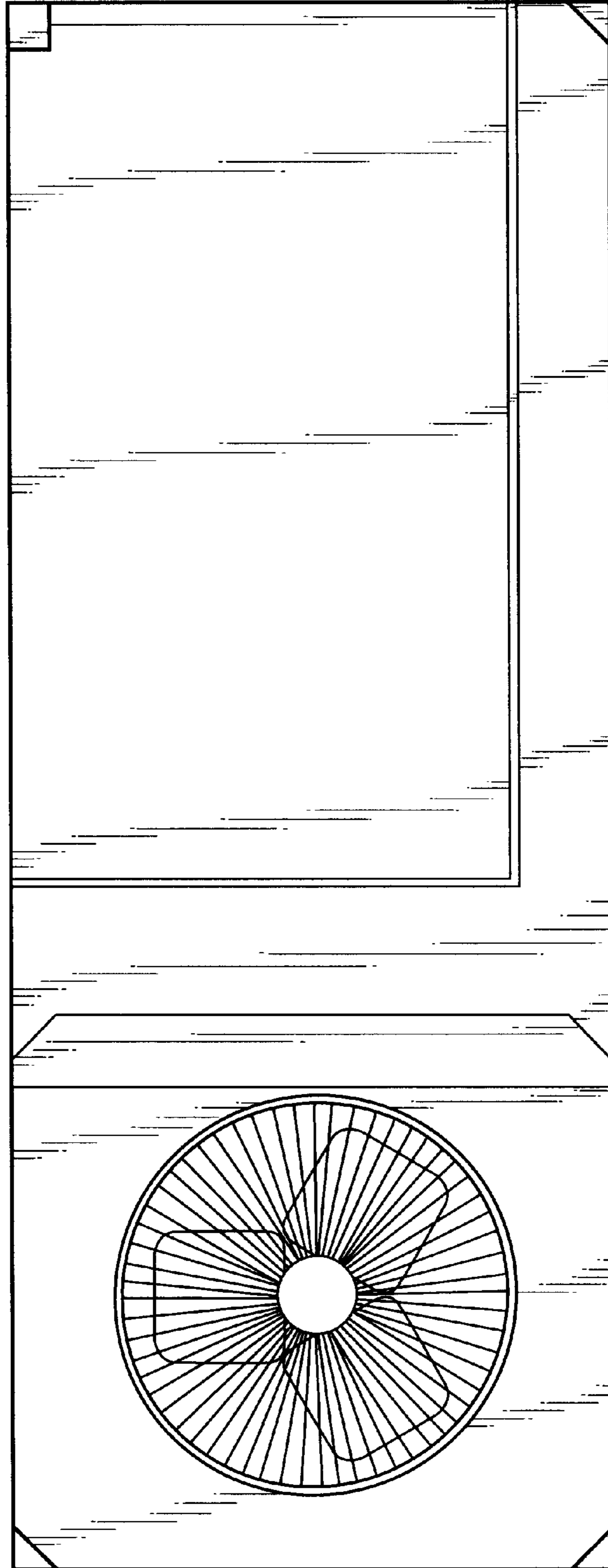


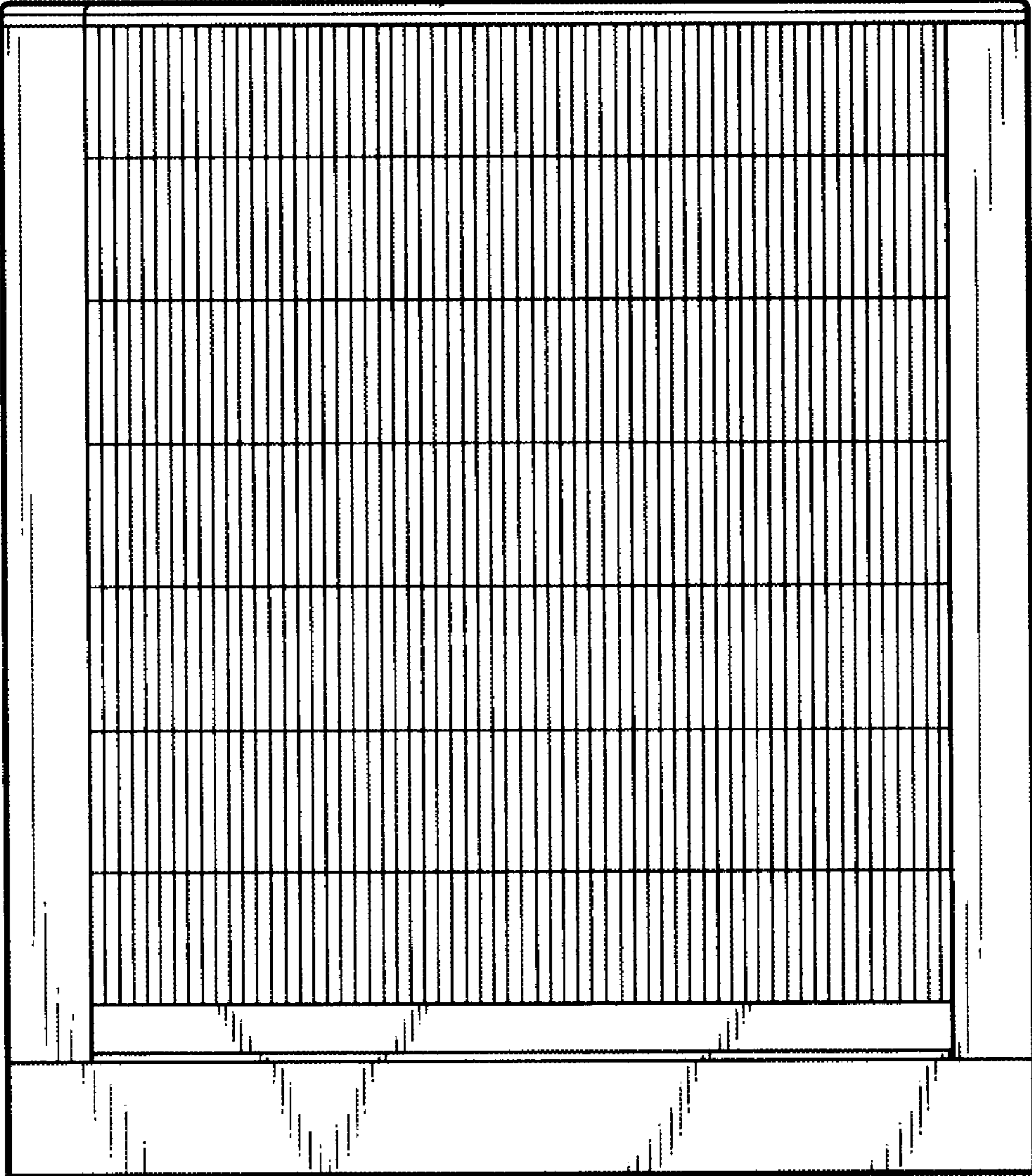
FIGURE 1



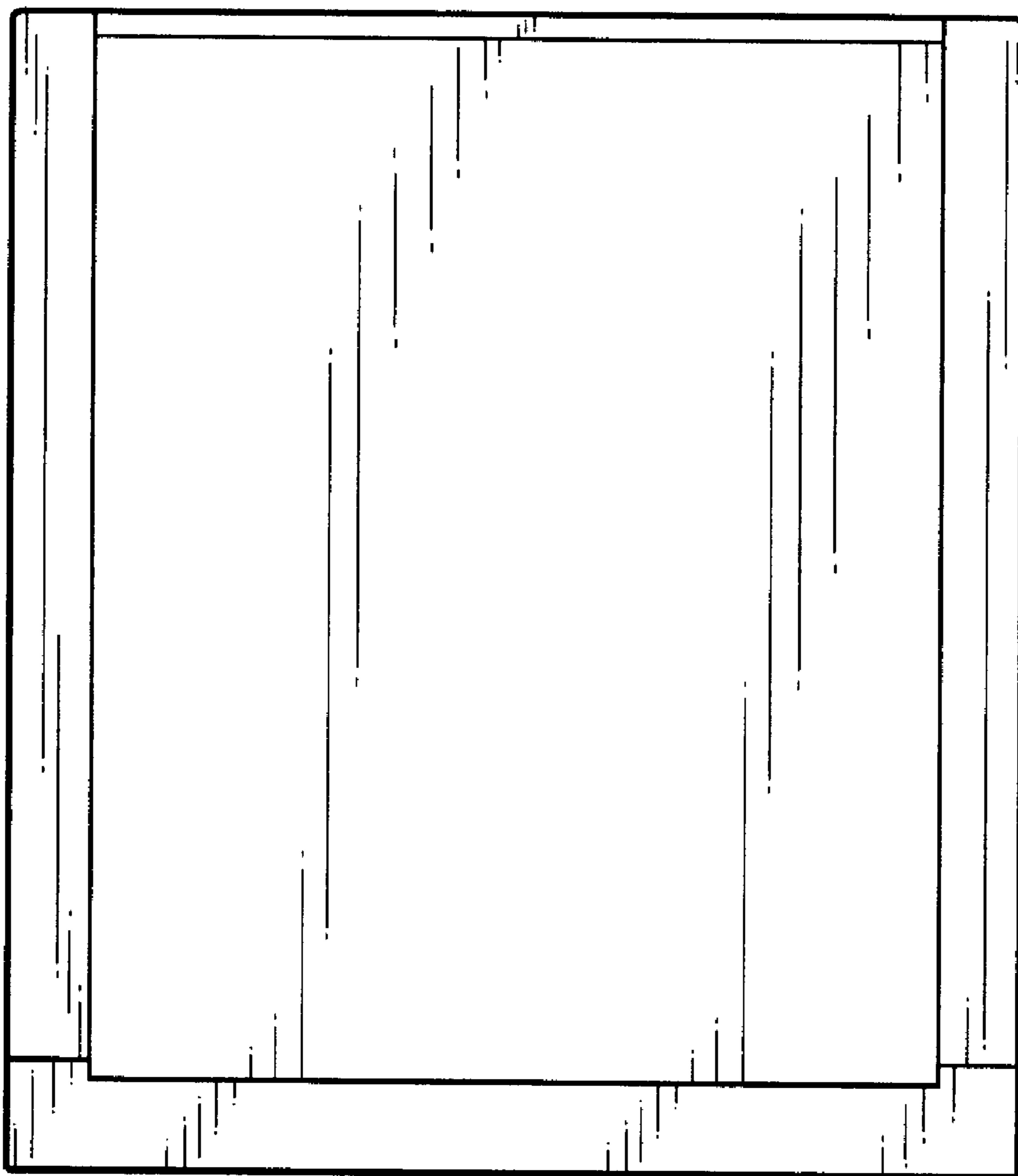
**FIGURE 2**



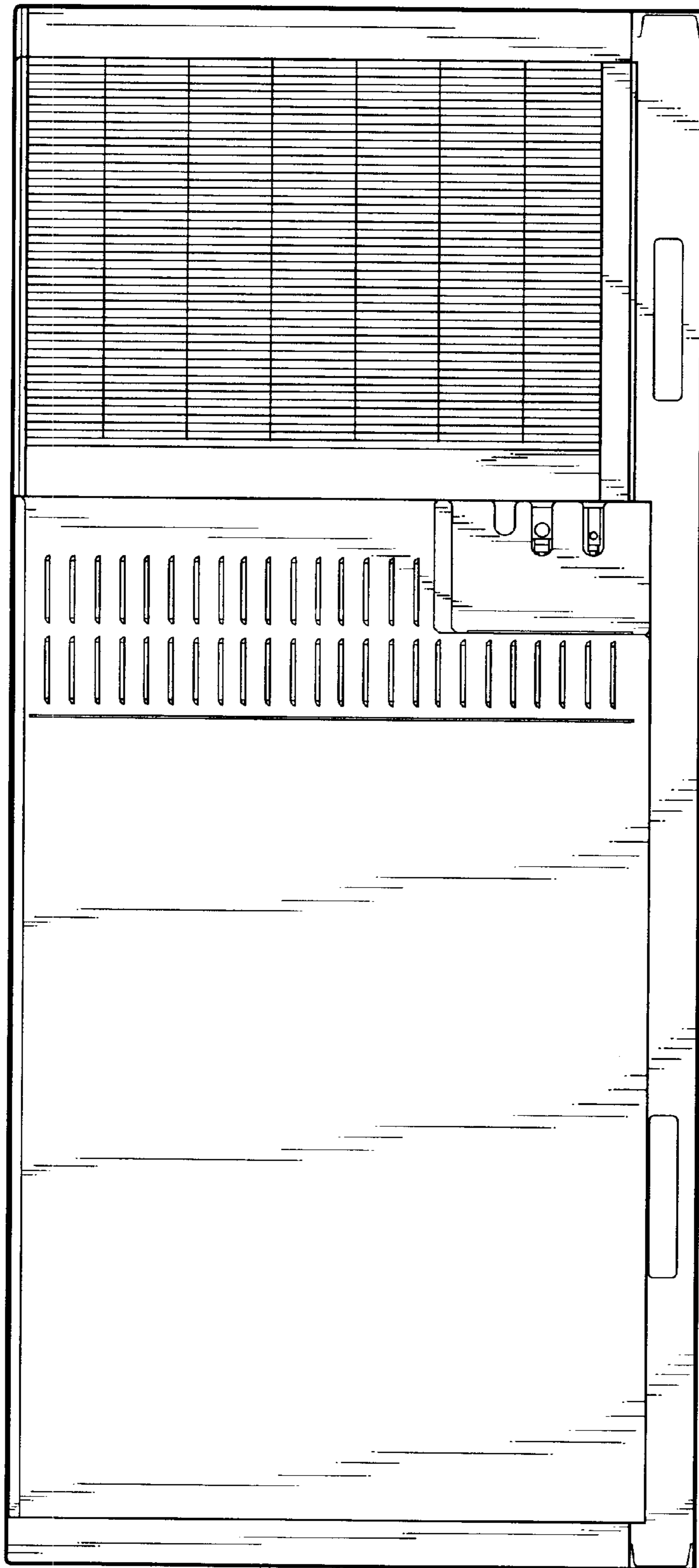
**FIGURE 3**



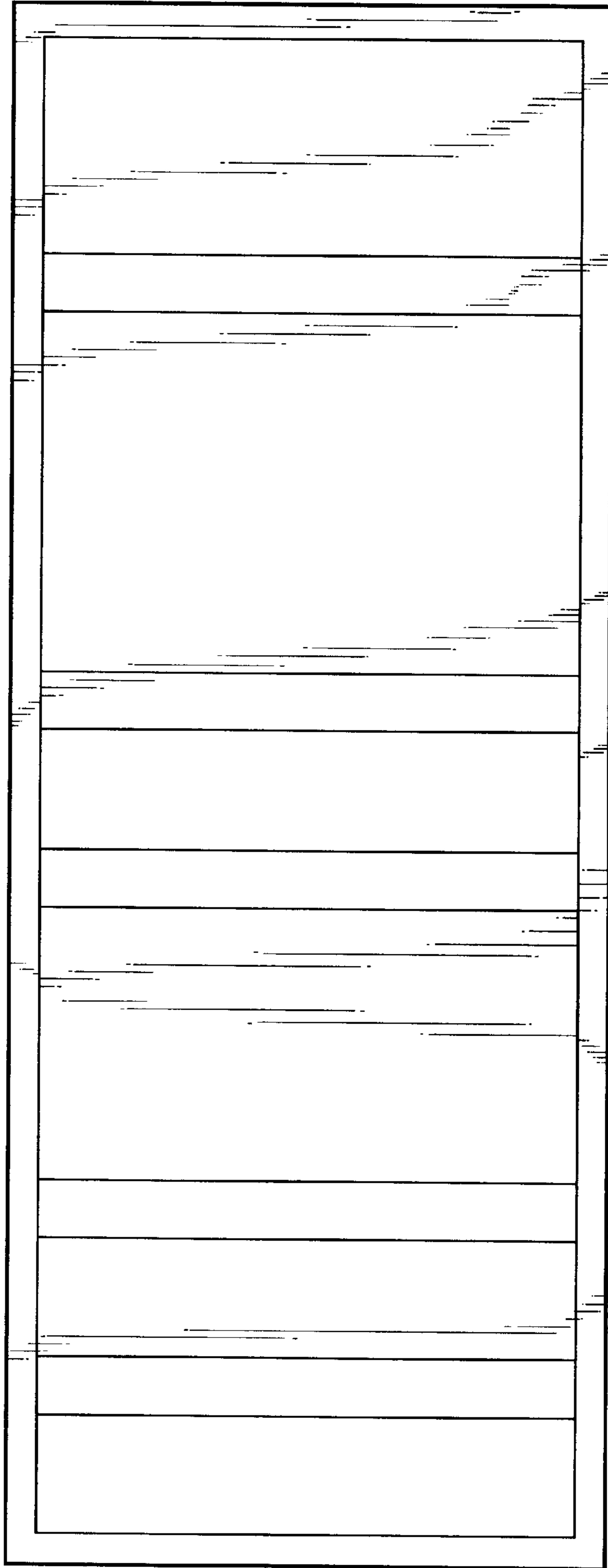
**FIGURE 4**



**FIGURE 5**



**FIGURE 6**



**FIGURE 7**