

US00D540451S

(12) **United States Design Patent**
Emalfarb

(10) **Patent No.:** **US D540,451 S**

(45) **Date of Patent:** **** Apr. 10, 2007**

(54) **FIRE PIT RECEPTACLE**

(76) **Inventor:** **Bradley Emalfarb**, 763 Bunker Ct.,
Riverwoods, IL (US) 60015

(**) **Term:** **14 Years**

(21) **Appl. No.:** **29/234,687**

(22) **Filed:** **Jul. 21, 2005**

(51) **LOC (8) Cl.** **23-03**

(52) **U.S. Cl.** **D23/348**

(58) **Field of Classification Search** D23/348,
D23/403; D7/584, 555

See application file for complete search history.

(56) **References Cited**

U.S. PATENT DOCUMENTS

D221,169 S	*	7/1971	Benes	D7/584
D286,726 S	*	11/1986	Daenen et al.	D7/587
D286,844 S	*	11/1986	Daenen et al.	D7/586
D304,275 S	*	10/1989	Kiefer	D7/584
D315,658 S	*	3/1991	Scherer	D7/560
D324,324 S	*	3/1992	Picozza	D7/565
D361,632 S	*	8/1995	Ratia	D26/10
D386,358 S	*	11/1997	Pfeilsticker	D7/555
D404,614 S	*	1/1999	Indekeu	D7/588
D420,857 S	*	2/2000	Loew et al.	D7/558
D445,297 S	*	7/2001	Atkins et al.	D7/396.4
D468,590 S	*	1/2003	Jalet et al.	D7/586
D475,621 S	*	6/2003	Buchalski et al.	D9/428
D476,861 S	*	7/2003	Zettle et al.	D7/629

D478,474 S	*	8/2003	Zettle	D7/545
D482,575 S	*	11/2003	Mountain	D7/586
D487,672 S	*	3/2004	Cote et al.	D7/545
D497,287 S	*	10/2004	Glander et al.	D7/565

OTHER PUBLICATIONS

First Street Summer 2005 Catalog (p. 630).

* cited by examiner

Primary Examiner—Louis S. Zarfes

Assistant Examiner—Eric L. Goodman

(74) *Attorney, Agent, or Firm*—Wood, Phillips, Katz, Clark & Mortimer

(57) **CLAIM**

The ornamental design for a fire pit receptacle, as shown and described.

DESCRIPTION

FIG. 1 is a top, side perspective view of my design for a fire pit receptacle;

FIG. 2 is a top view thereof;

FIG. 3 is a front elevation view thereof;

FIG. 4 is a side elevation view thereof;

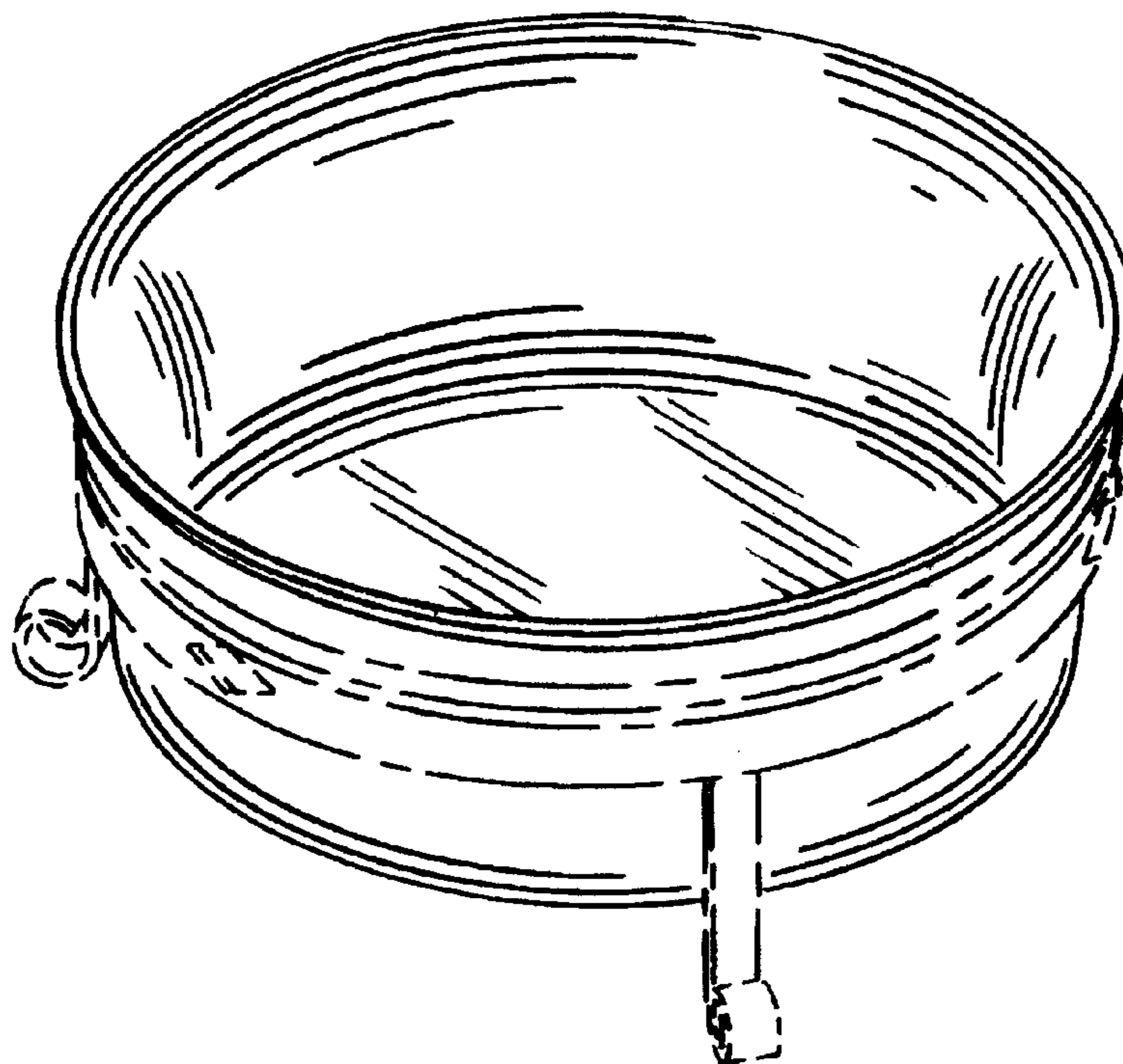
FIG. 5 is an elevation view thereof from the side opposite that in FIG. 4;

FIG. 6 is a rear elevation view thereof; and,

FIG. 7 is a bottom thereof.

The portions of the fire pit receptacle shown in dotted lines do not constitute a part of the claimed design.

1 Claim, 3 Drawing Sheets



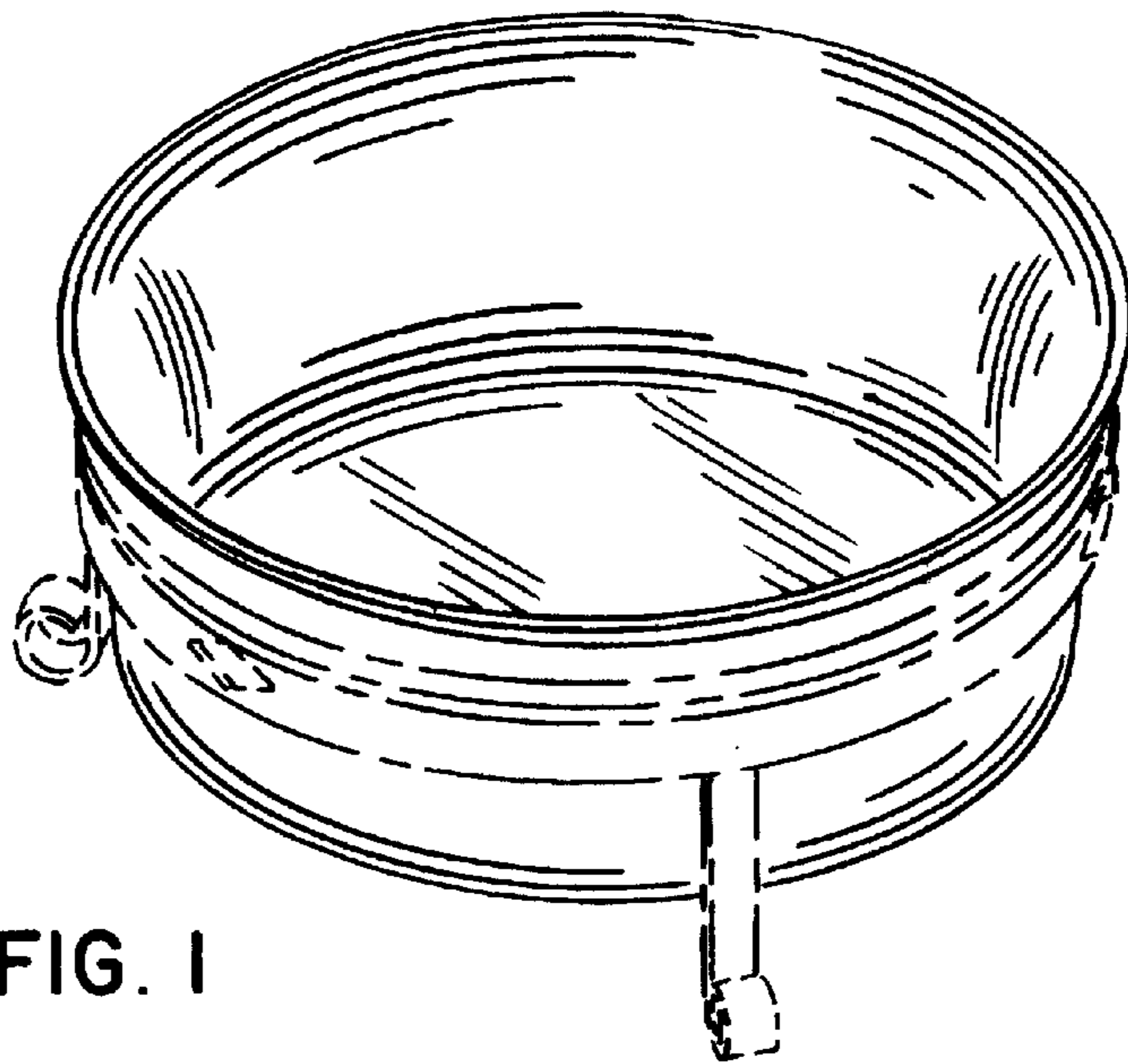


FIG. 1

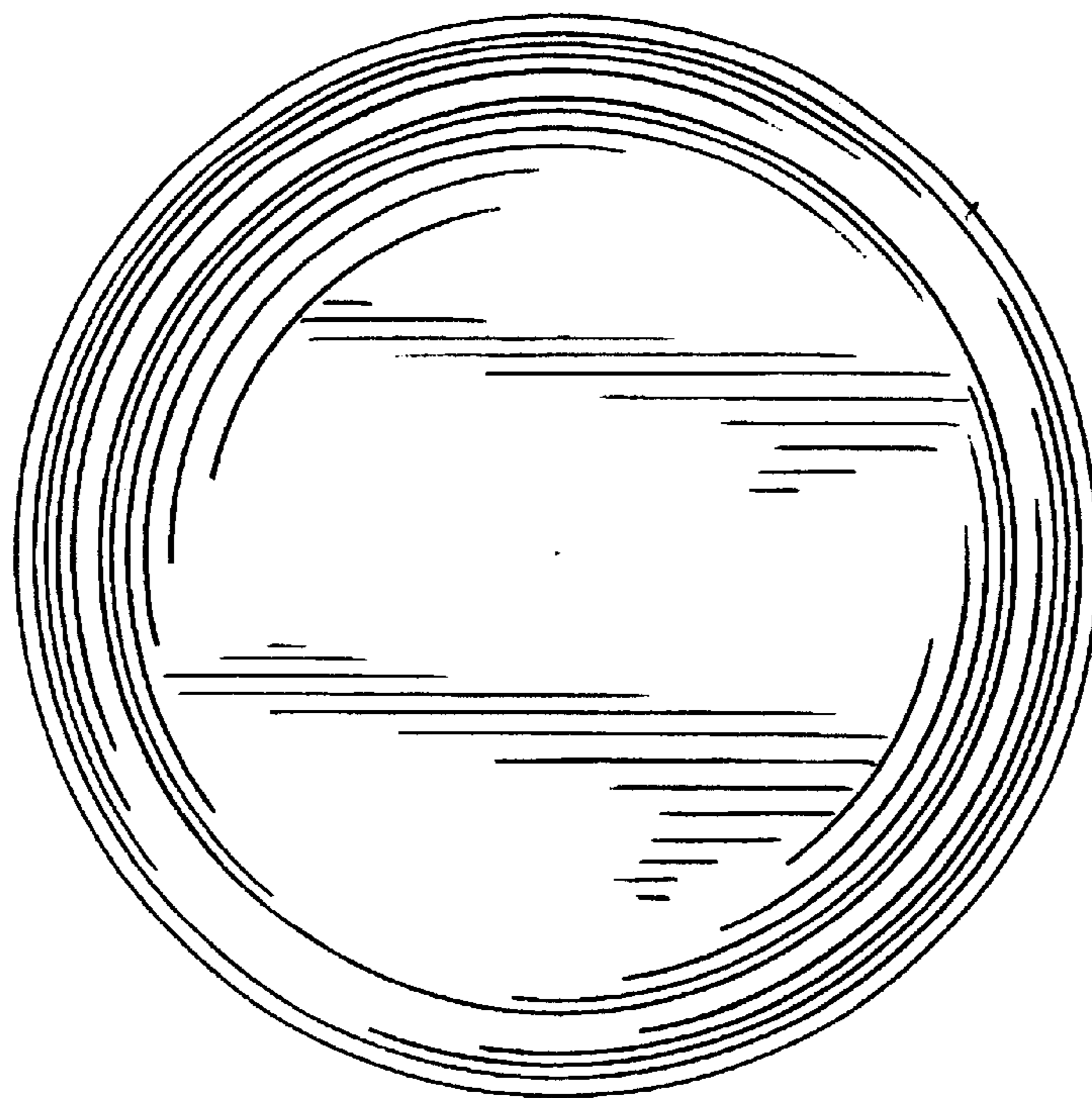


FIG. 2

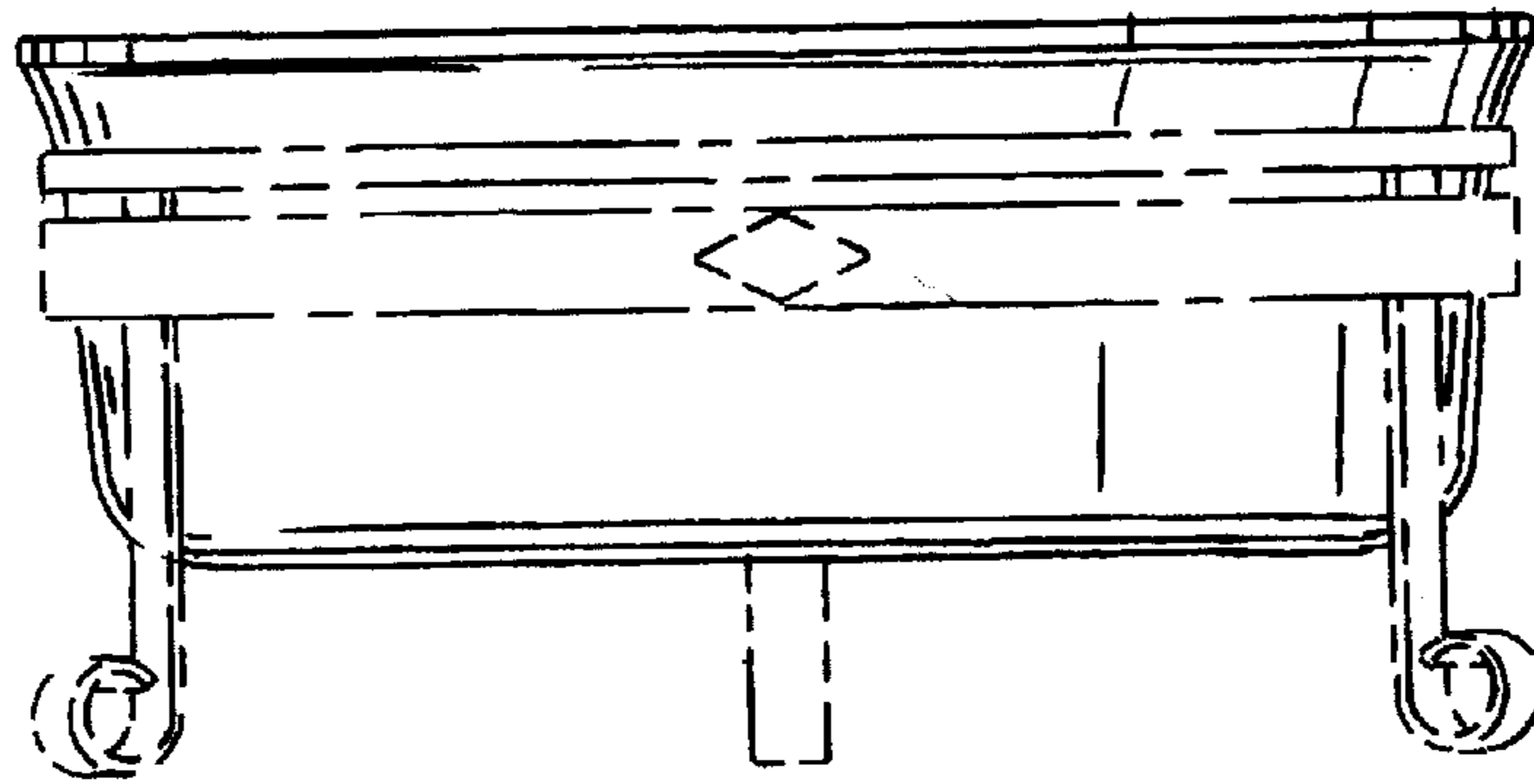


FIG. 3

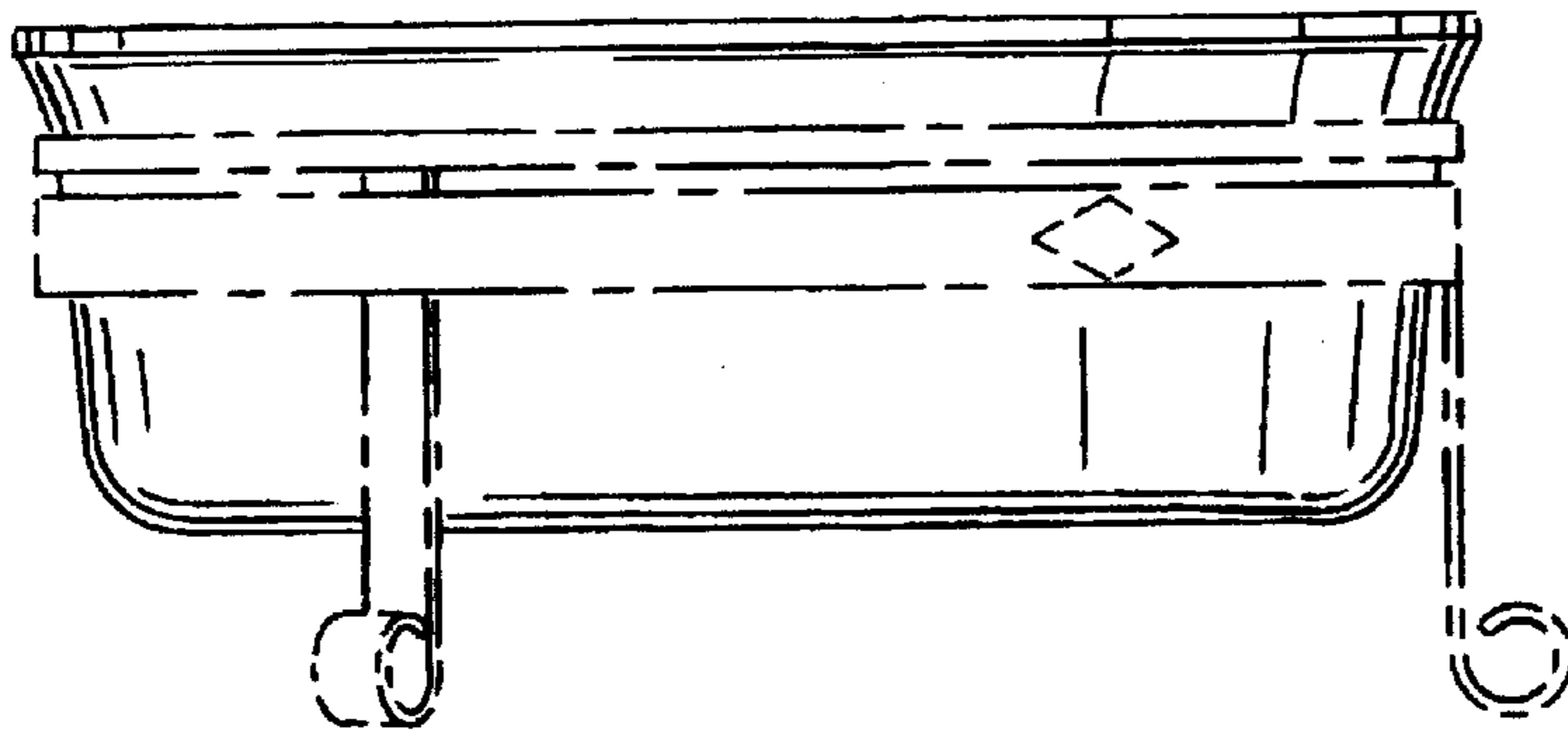


FIG. 4

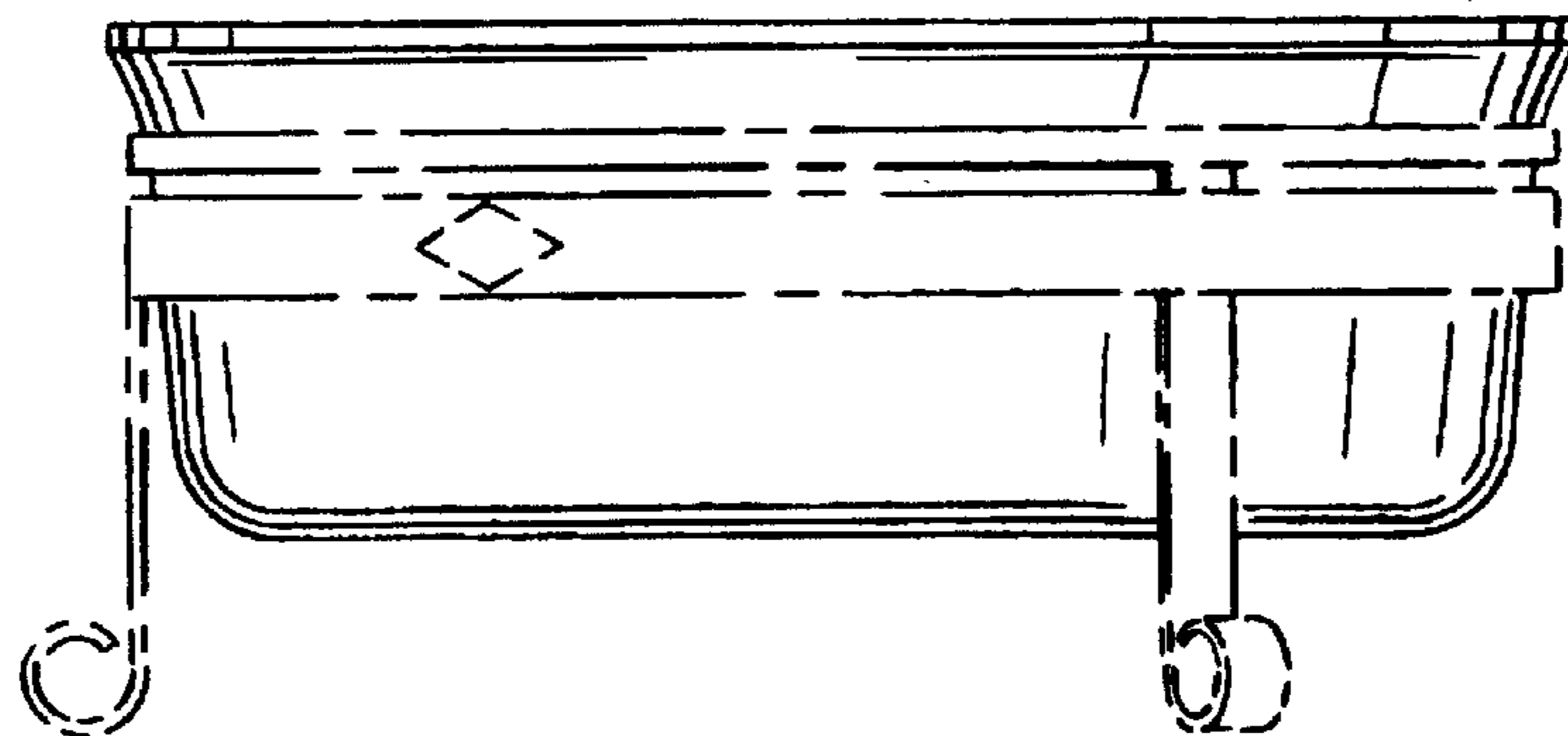


FIG. 5

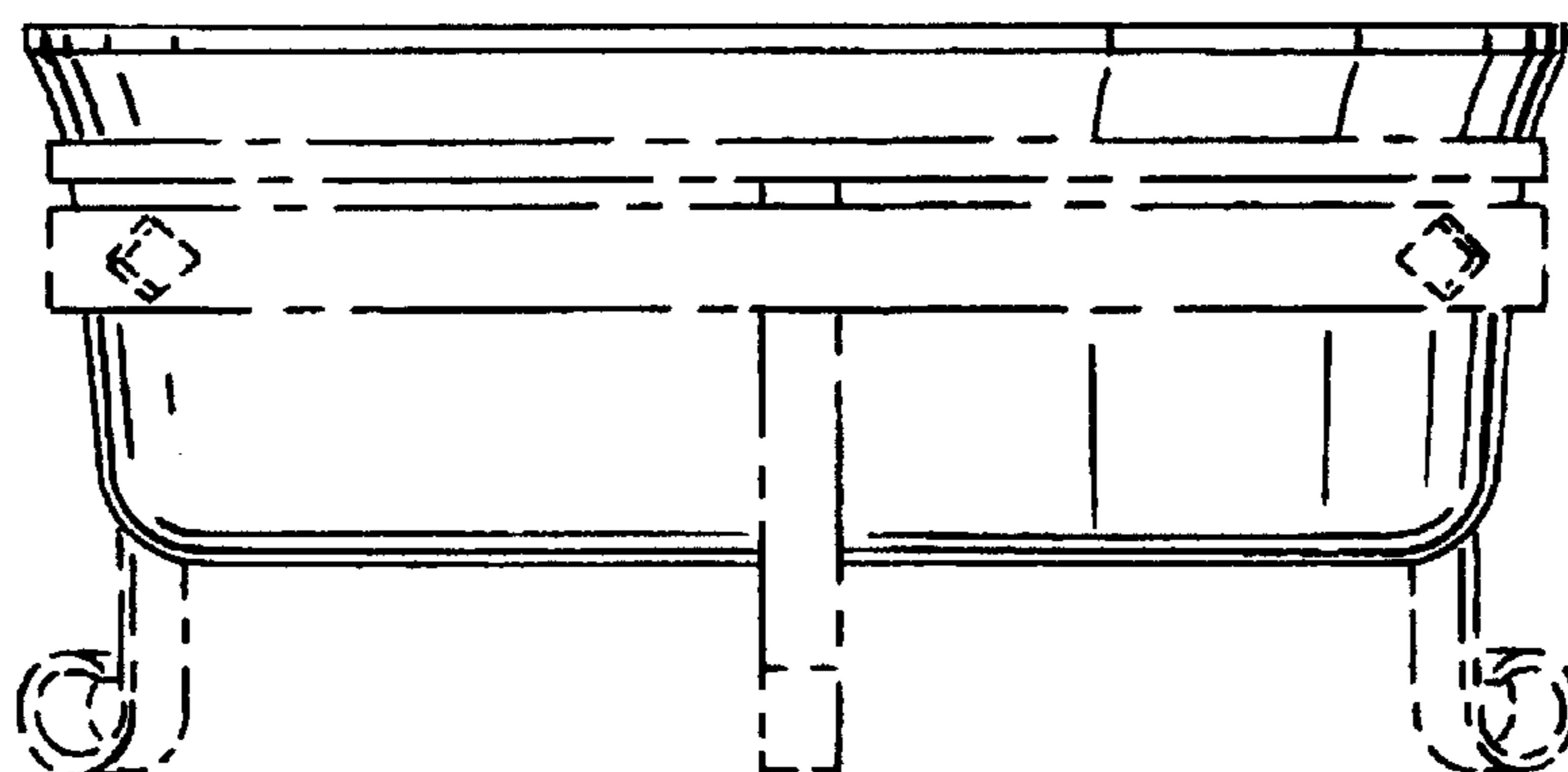


FIG. 6

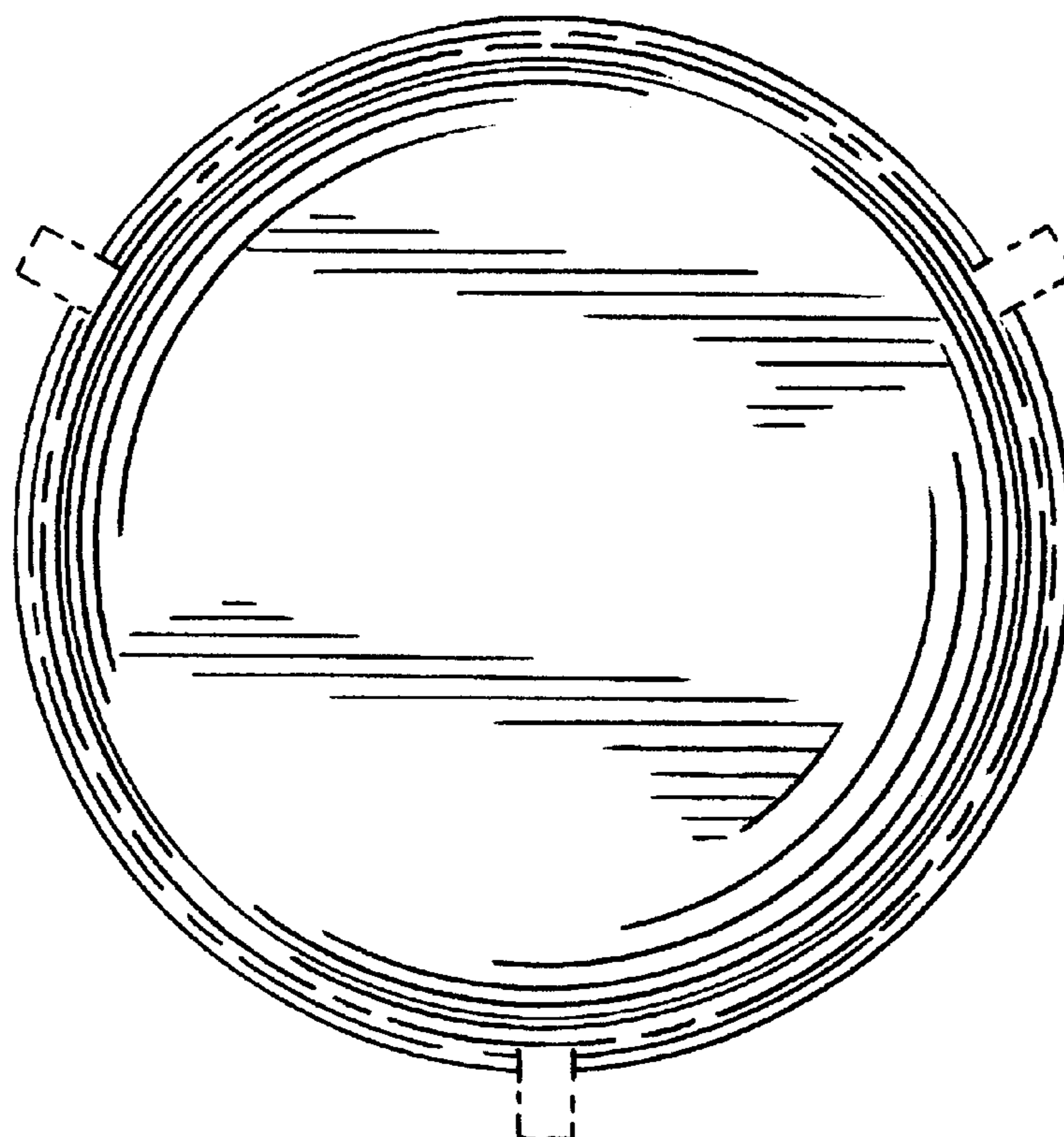


FIG. 7