

US00D540450S

(12) **United States Design Patent**
Farshid

(10) **Patent No.:** **US D540,450 S**

(45) **Date of Patent:** **** Apr. 10, 2007**

(54) **PERSONAL COOLING SYSTEM**

(76) Inventor: **Amir Farshid**, 305-440 Wiggins
Private, Ottawa, Ontario (CA), K1N
1A7

(**) Term: **14 Years**

(21) Appl. No.: **29/197,186**

(22) Filed: **Jan. 12, 2004**

(51) **LOC (8) Cl.** **23-04**

(52) **U.S. Cl.** **D23/333**

(58) **Field of Classification Search** D23/333,
D23/315-354; 62/231, 239, 244, 259.3, 371,
62/440, 467

See application file for complete search history.

(56) **References Cited**

U.S. PATENT DOCUMENTS

3,916,911	A	*	11/1975	Sauder et al.	62/239
4,459,822	A		7/1984	Pasternack	
4,998,415	A	*	3/1991	Larsen	62/231
D430,277	S	*	8/2000	Schmulling	D23/333
D457,945	S	*	5/2002	Pinchuk	D23/351
2004/0079517	A1		4/2004	Bueley et al.	

OTHER PUBLICATIONS

Med-Eng Systems Inc., "BSC-3 Body Cooling Systems Product Specification" PS0007 Revision-C, dated May 2003.

Med-Eng Systems Inc., "Med-Eng Personal Climate Systems, BCS 4", dated rev. 041905 Preliminary.

Med-Eng Systems Inc., "Med-Eng Personal Climate Systems, BCS 4", dated rev. 030805 Preliminary.

Med-Eng Systems Inc., "Med-Eng Cupola Cooling System CCS-1", Bulletin CCS-01-05INT, dated May 2005.

Med-Eng Systems Inc., "Med-Eng Cupola Cooling System, CCS-1", Bulletin CCS-01-05US, dated May 2005.

Med-Eng Systems Inc., "Med-Eng Personal Climate Systems Product Overview, PS0098A, CD2", dated 2003.

Med-Eng Systems Inc., "CD2i Product Specification PS0072, Revision: A" dated May 2003.

Med-Eng Systems Inc., "Med-Eng Personal Climate Systems, DC210 Chiller", rev. 072204.

Med-Eng Systems Inc., "Med-Eng Personal Climate Systems, DC230 Chiller", rev. 112504.

Med-Eng Systems Inc., "Med-Eng Personal Climate Systems, DC250 Chiller", rev. 072004.

* cited by examiner

Primary Examiner—Brian N Vinson

(74) *Attorney, Agent, or Firm*—McCracken & Frank LLP

(57) **CLAIM**

The ornamental design for a personal cooling system, as shown and described.

DESCRIPTION

FIG. 1 is a top, front and right-side perspective view of the personal cooling system embodying the design;

FIG. 2 is a top, front and left-side perspective view thereof;

FIG. 3 is right-side view thereof;

FIG. 4 is a front view thereof;

FIG. 5 is a left-side view thereof;

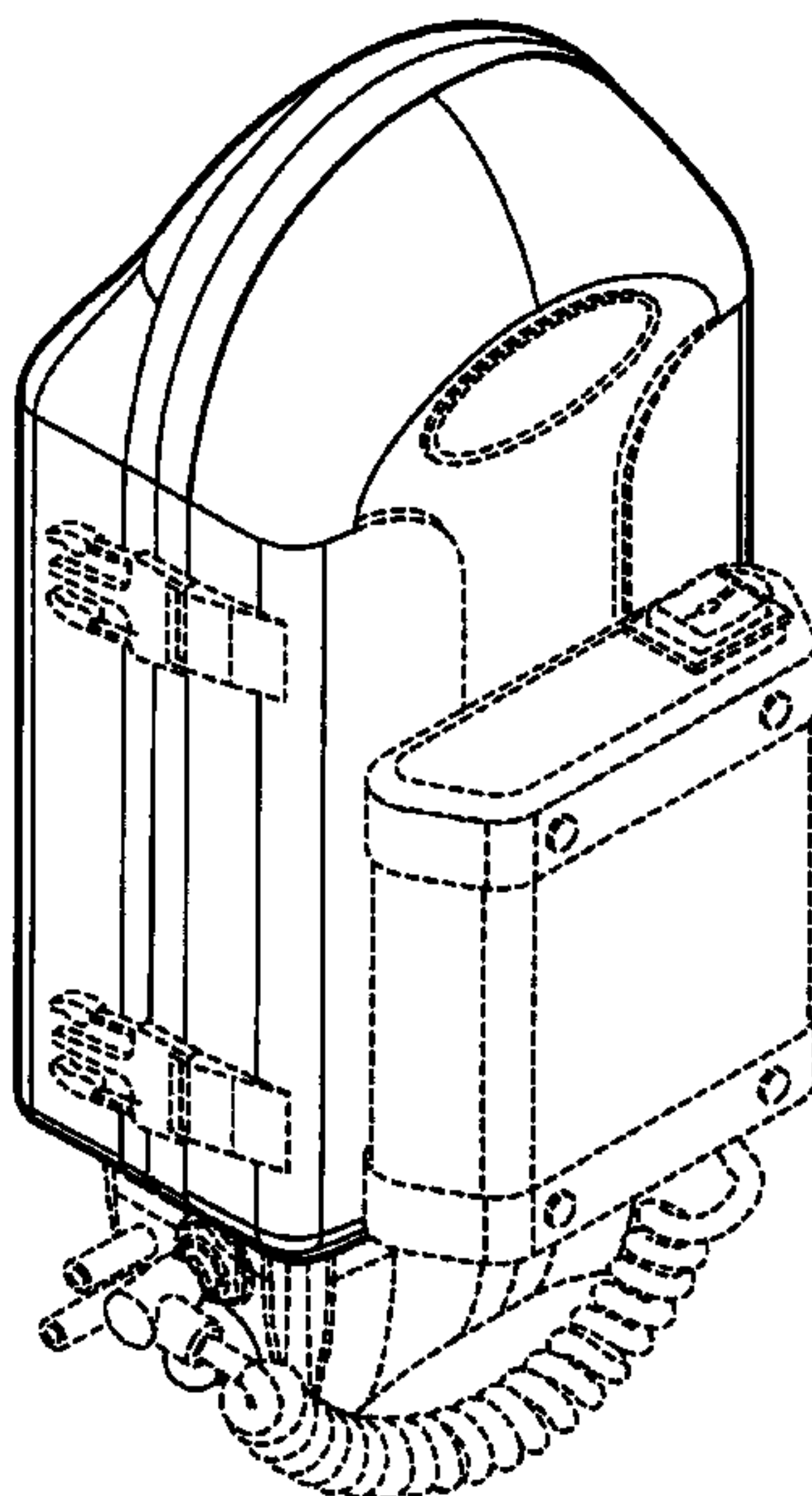
FIG. 6 is a rear view thereof;

FIG. 7 is a top view thereof; and,

FIG. 8 is a bottom view thereof.

The broken lines in FIGS. 1 to 8 show elements which may be part of the environment of the design and form no part of the design as claimed.

1 Claim, 5 Drawing Sheets



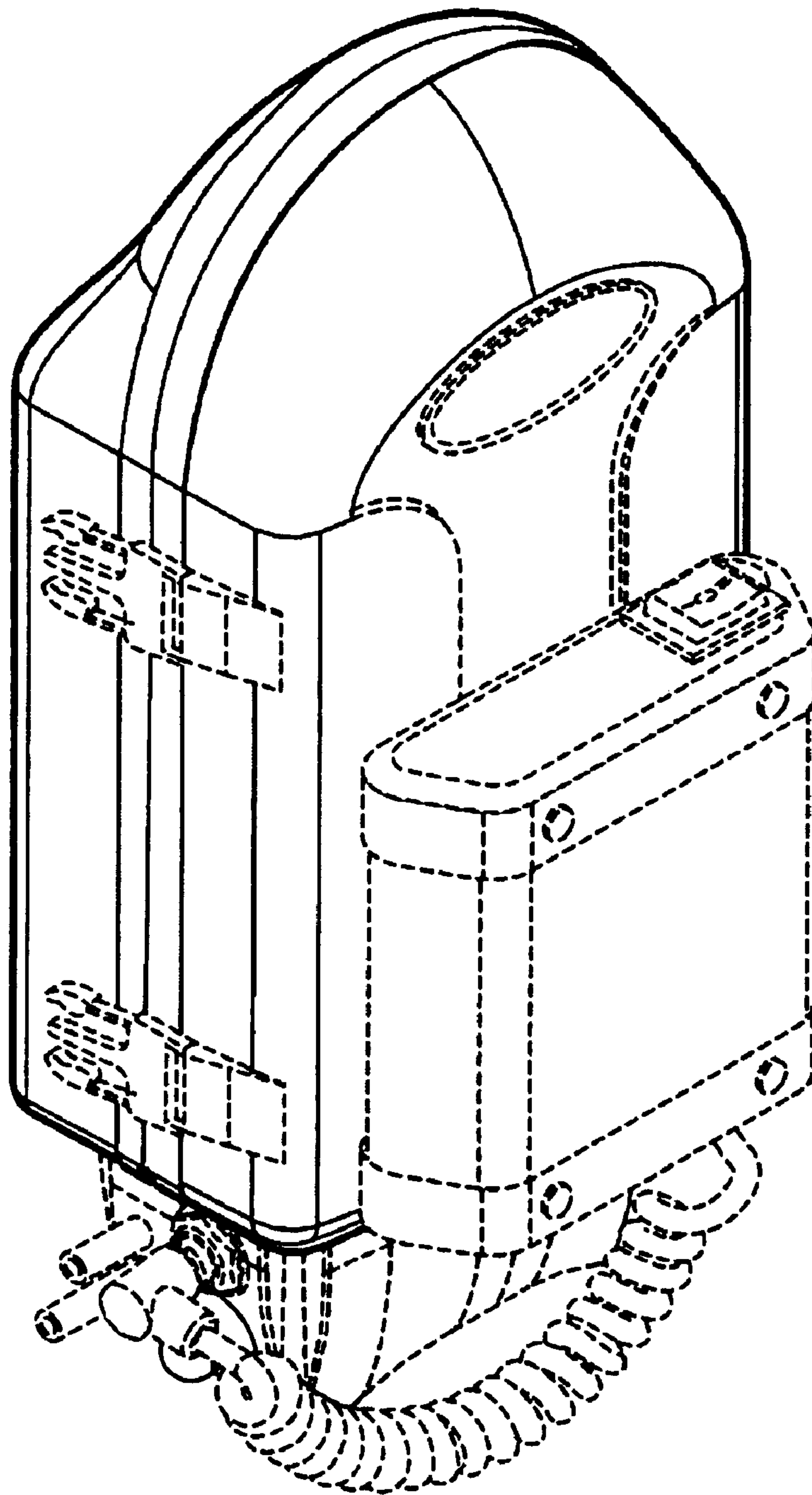


FIG. 1

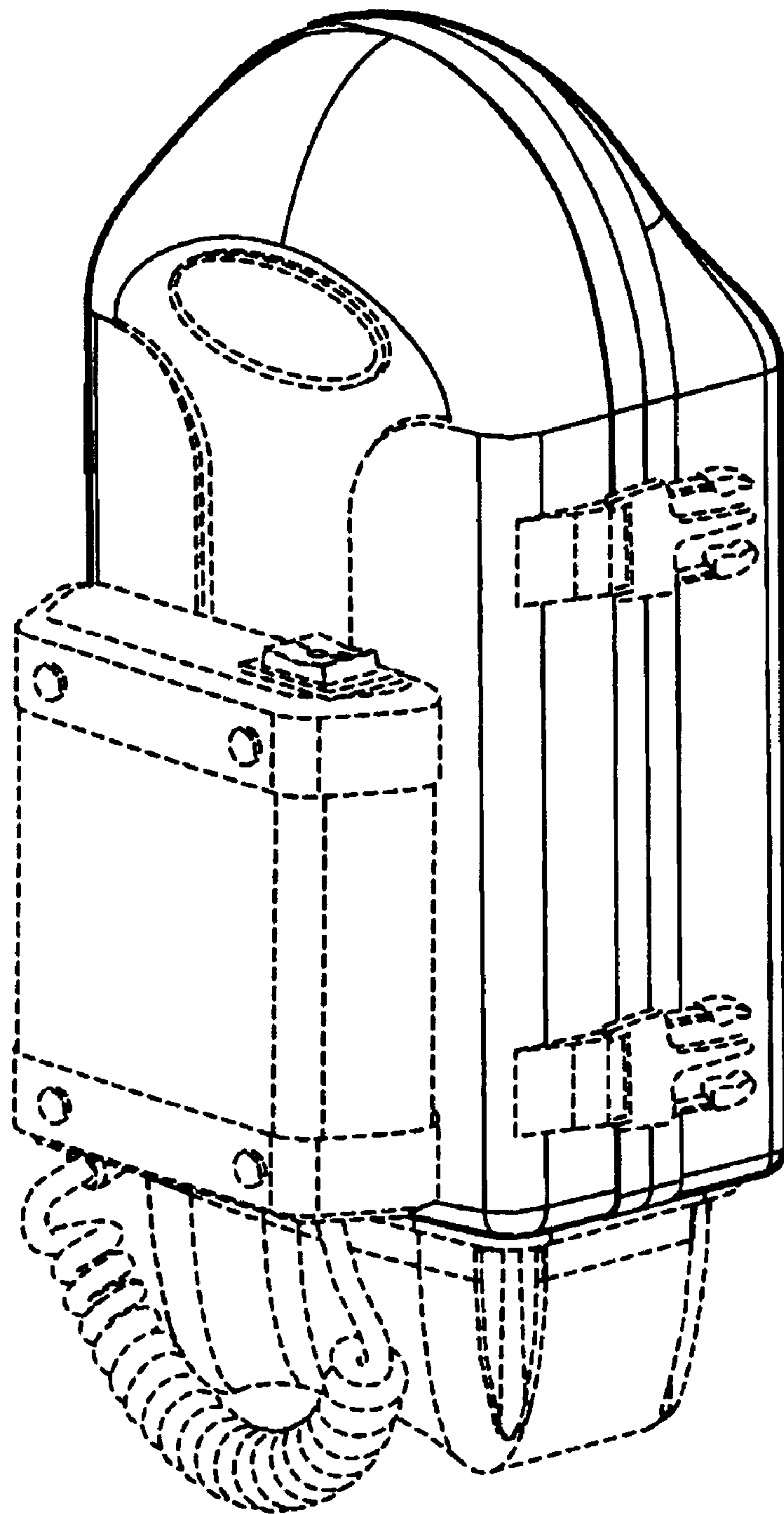


FIG. 2

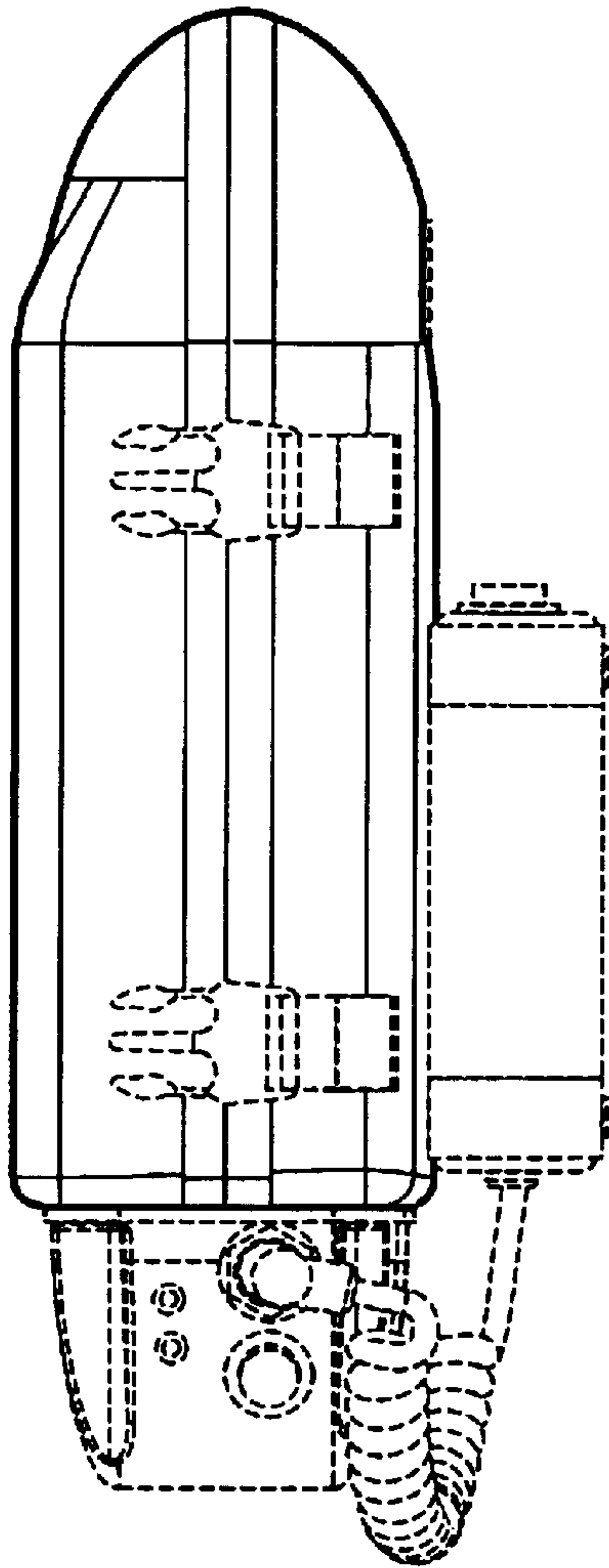


FIG. 3

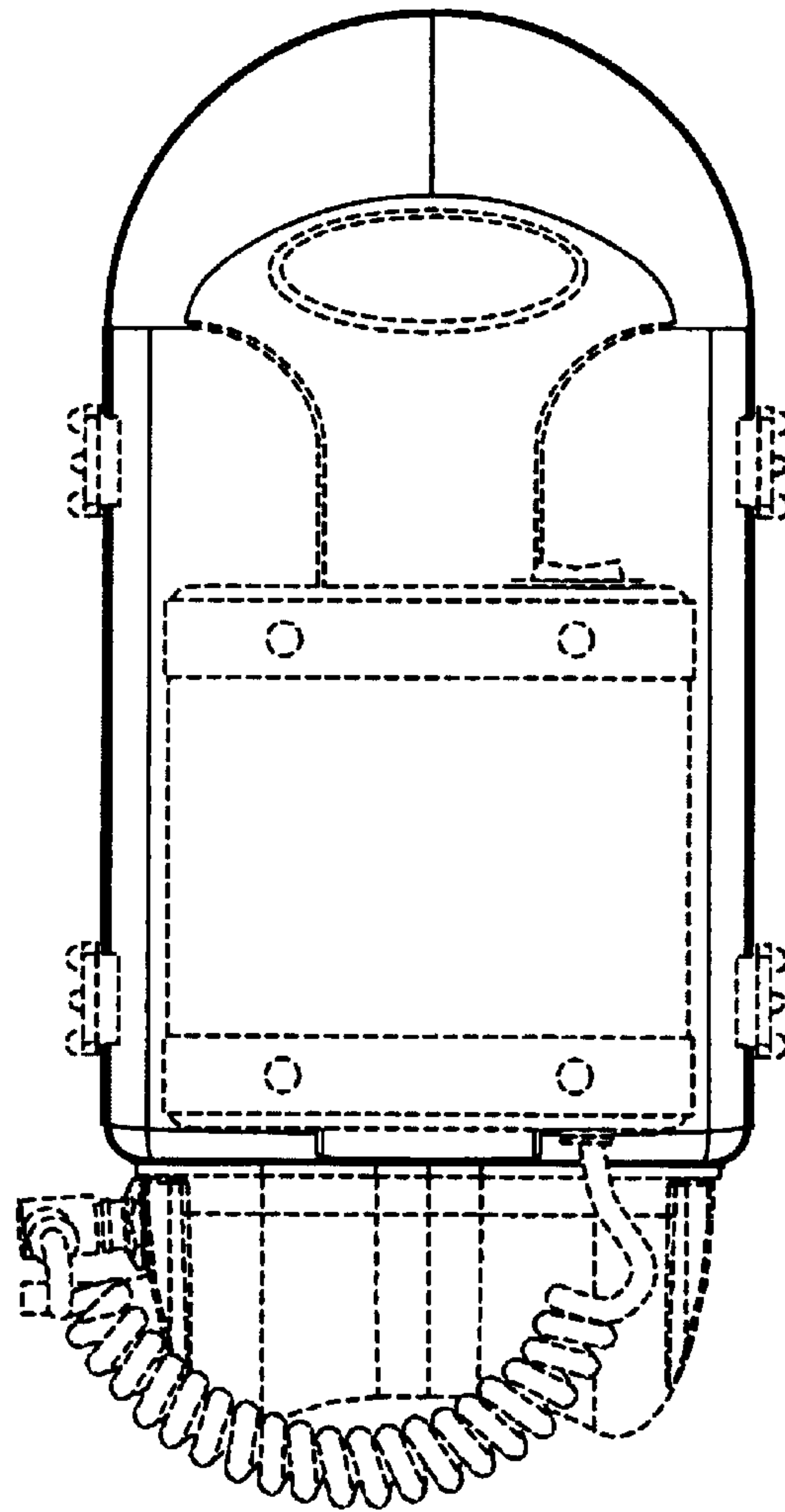


FIG. 4

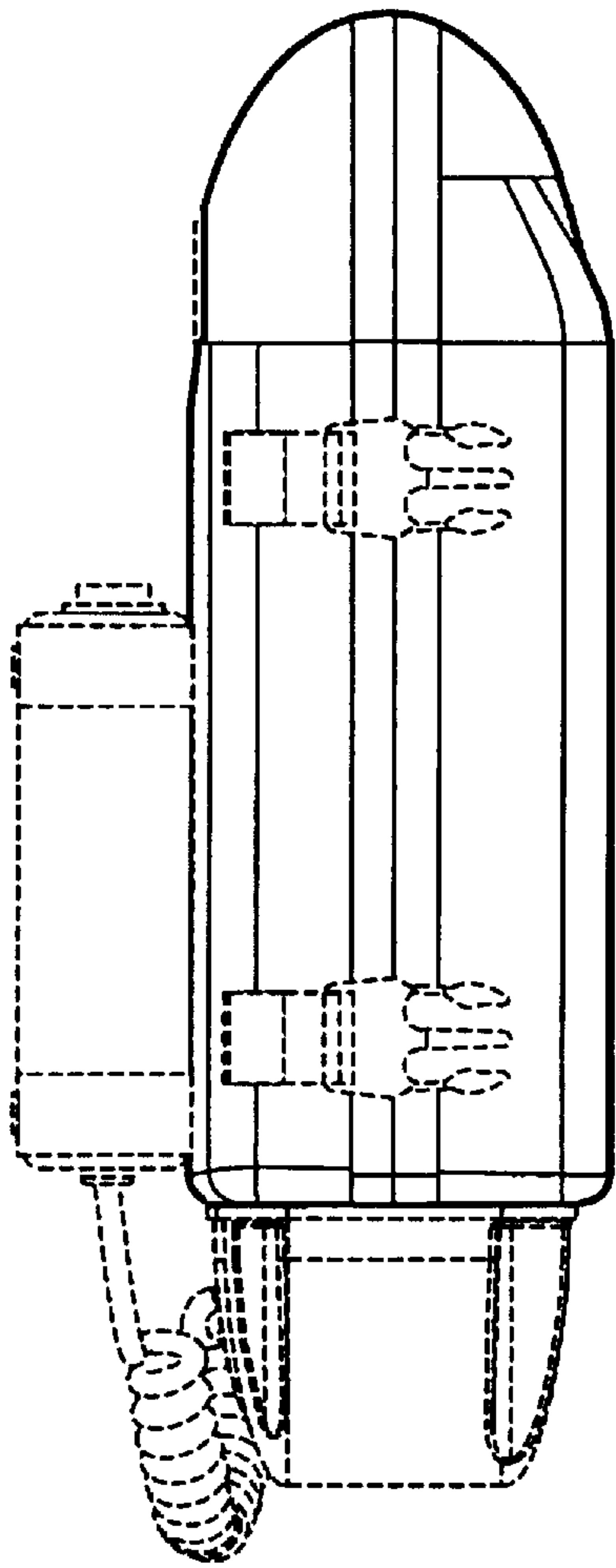


FIG. 5

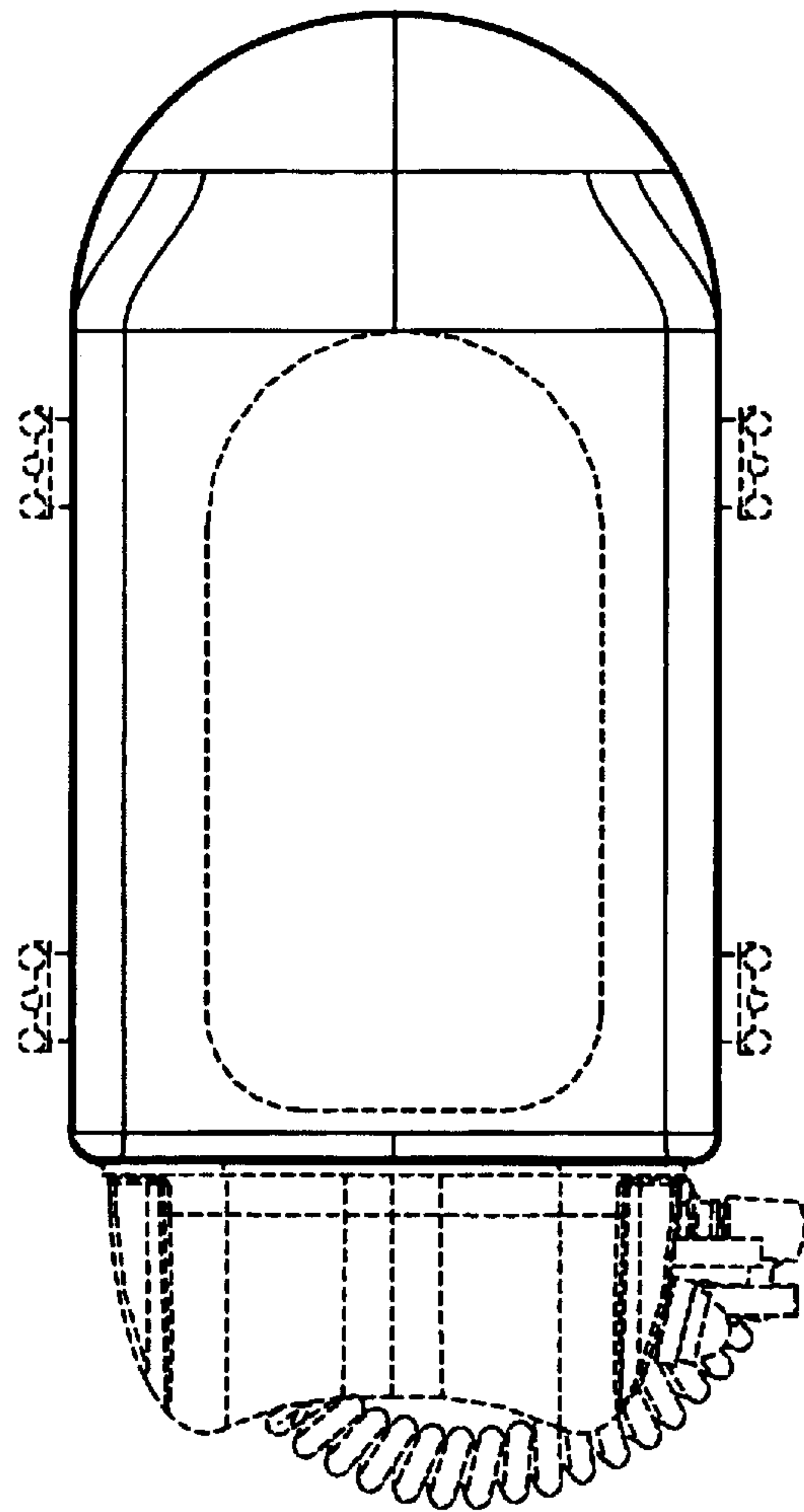


FIG. 6

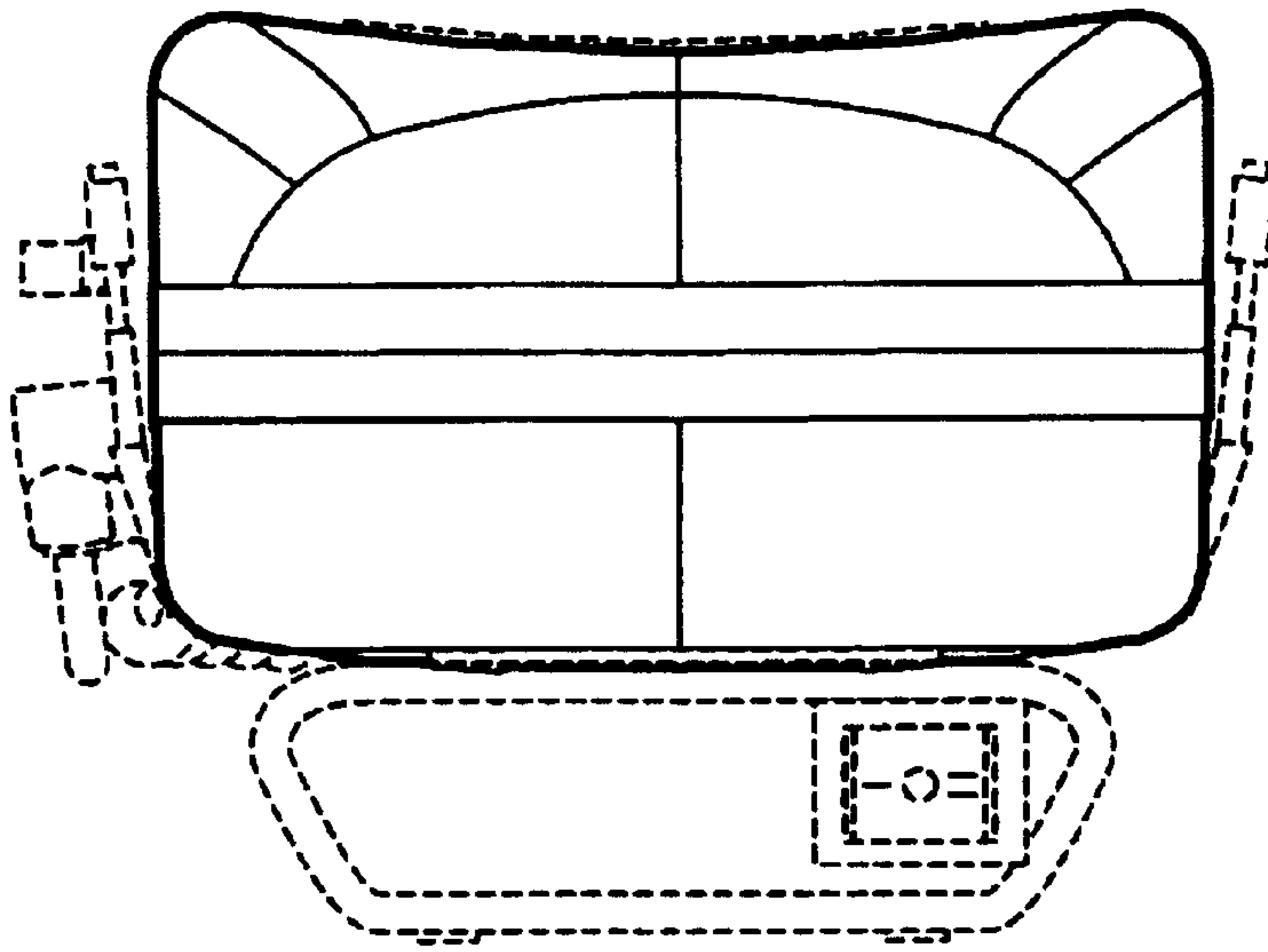


FIG. 7

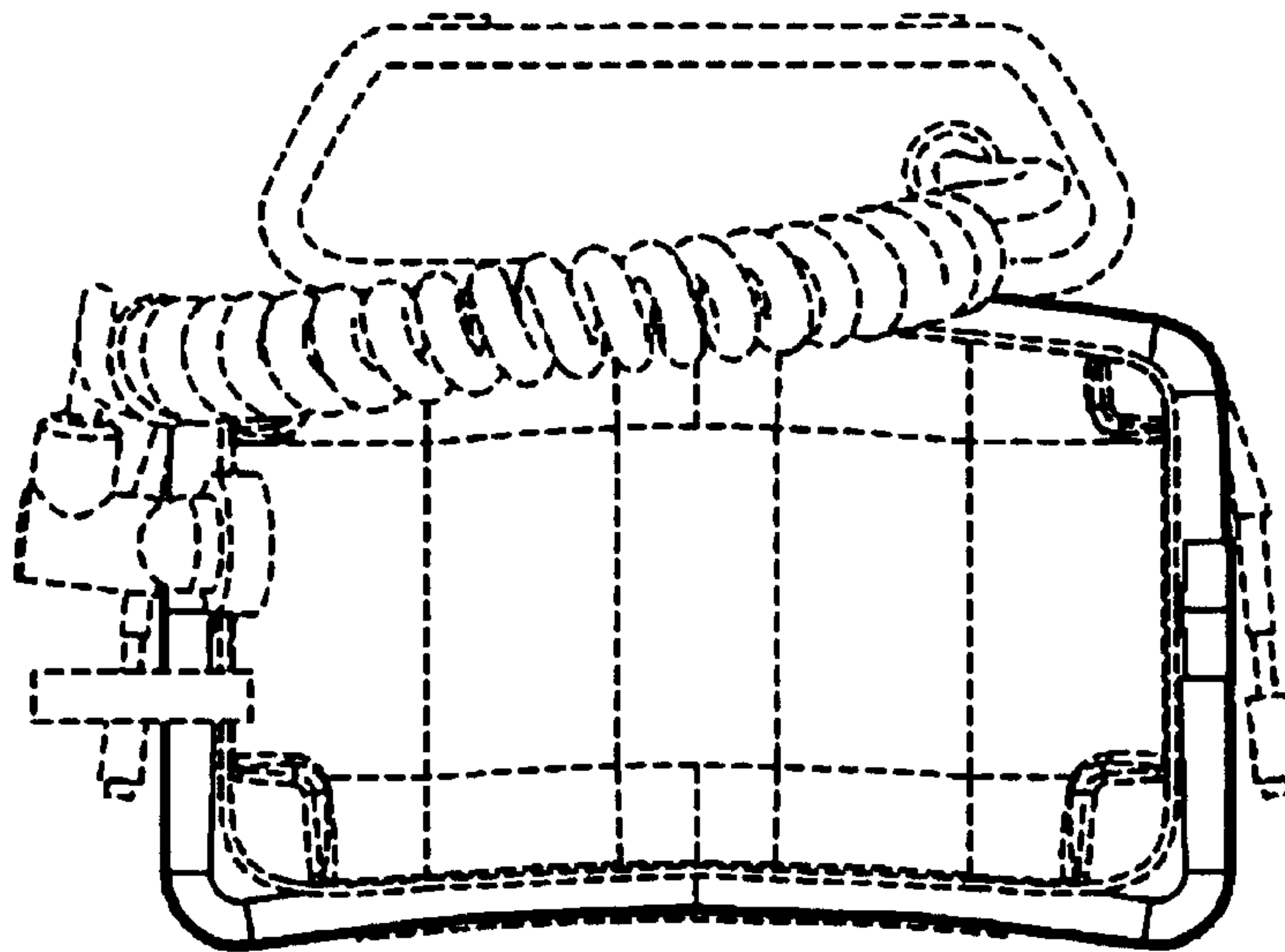


FIG. 8