

US00D540447S

(12) **United States Design Patent**
De Alba

(10) **Patent No.:** **US D540,447 S**

(45) **Date of Patent:** **** Apr. 10, 2007**

(54) **BIDET SPRAYER HOLDER**

(76) **Inventor:** **Jose De Alba**, 1590 Nash Rd.,
Hollister, CA (US) 95023

(**) **Term:** **14 Years**

(21) **Appl. No.:** **29/255,539**

(22) **Filed:** **Mar. 10, 2006**

(51) **LOC (8) Cl.** **23-02**

(52) **U.S. Cl.** **D23/309**

(58) **Field of Classification Search** D23/303,
D23/309, 313; 4/300.3, 217, 661, 476, 447-448;
D99/29, 33; D3/294

See application file for complete search history.

(56) **References Cited**

U.S. PATENT DOCUMENTS

D29,845 S	*	12/1898	Buick	D23/313
1,861,802 A	*	6/1932	Kelly	D23/313
2,428,305 A	*	9/1947	Beadell	220/315
2,826,761 A	*	3/1958	Lazarus et al.	4/447
4,553,275 A	*	11/1985	Goldstein	4/605

D352,100 S	*	11/1994	Veal	D23/309
5,991,937 A	*	11/1999	Safara	4/448
D424,670 S	*	5/2000	Na	D23/313
D445,492 S	*	7/2001	Dougan et al.	D23/313

* cited by examiner

Primary Examiner—Robert A. Delehanty

(74) *Attorney, Agent, or Firm*—Schein & Cai LLP; James Cai

(57) **CLAIM**

I claim the ornamental design for a bidet sprayer holder, as shown.

DESCRIPTION

FIG. 1 is a perspective view of a bidet sprayer holder showing my new design;

FIG. 2 is a front elevational view thereof;

FIG. 3 is a rear elevational view thereof;

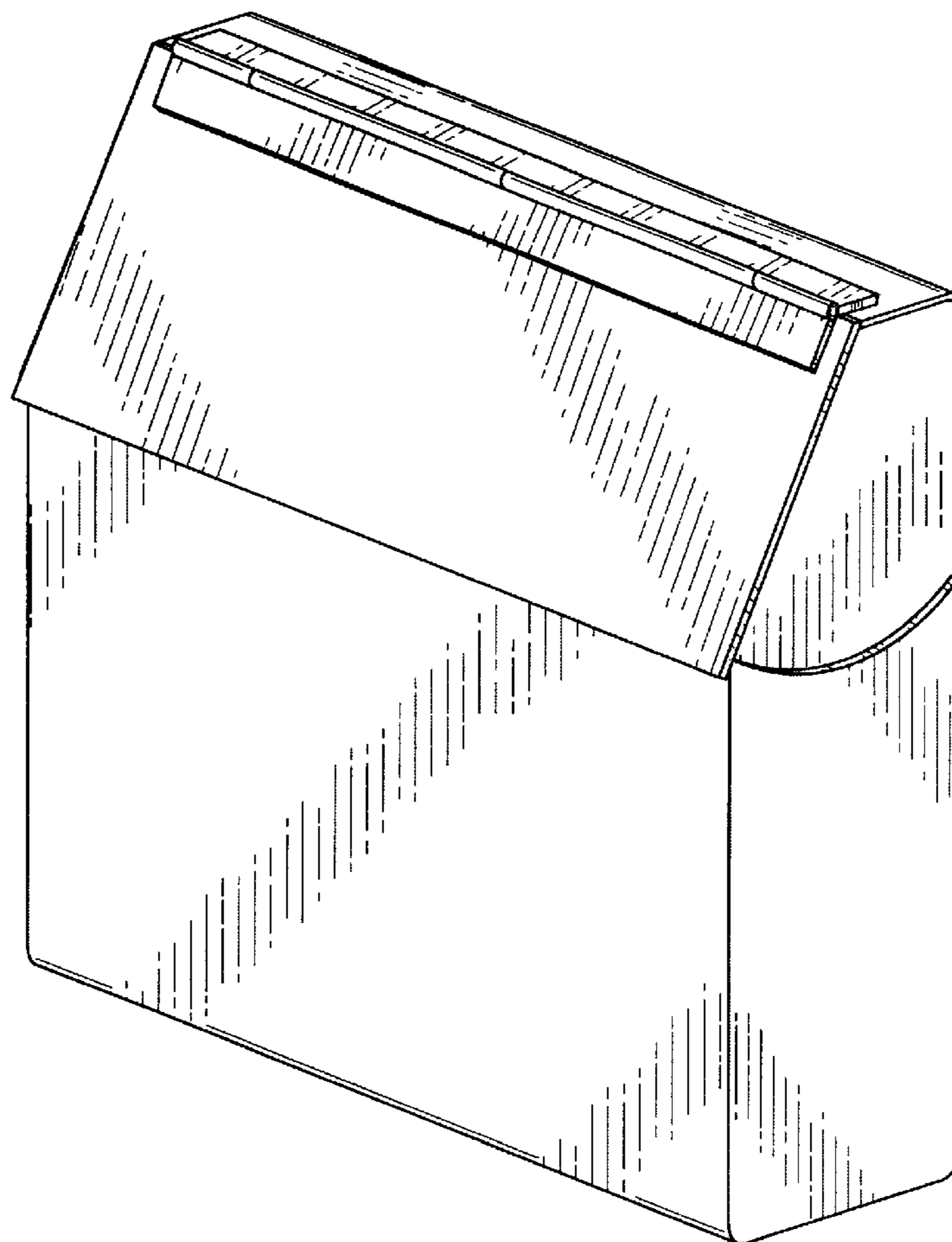
FIG. 4 is a left side elevational view thereof;

FIG. 5 is a right side elevational view thereof;

FIG. 6 is a top plan view thereof; and,

FIG. 7 is a bottom plan view thereof.

1 Claim, 3 Drawing Sheets



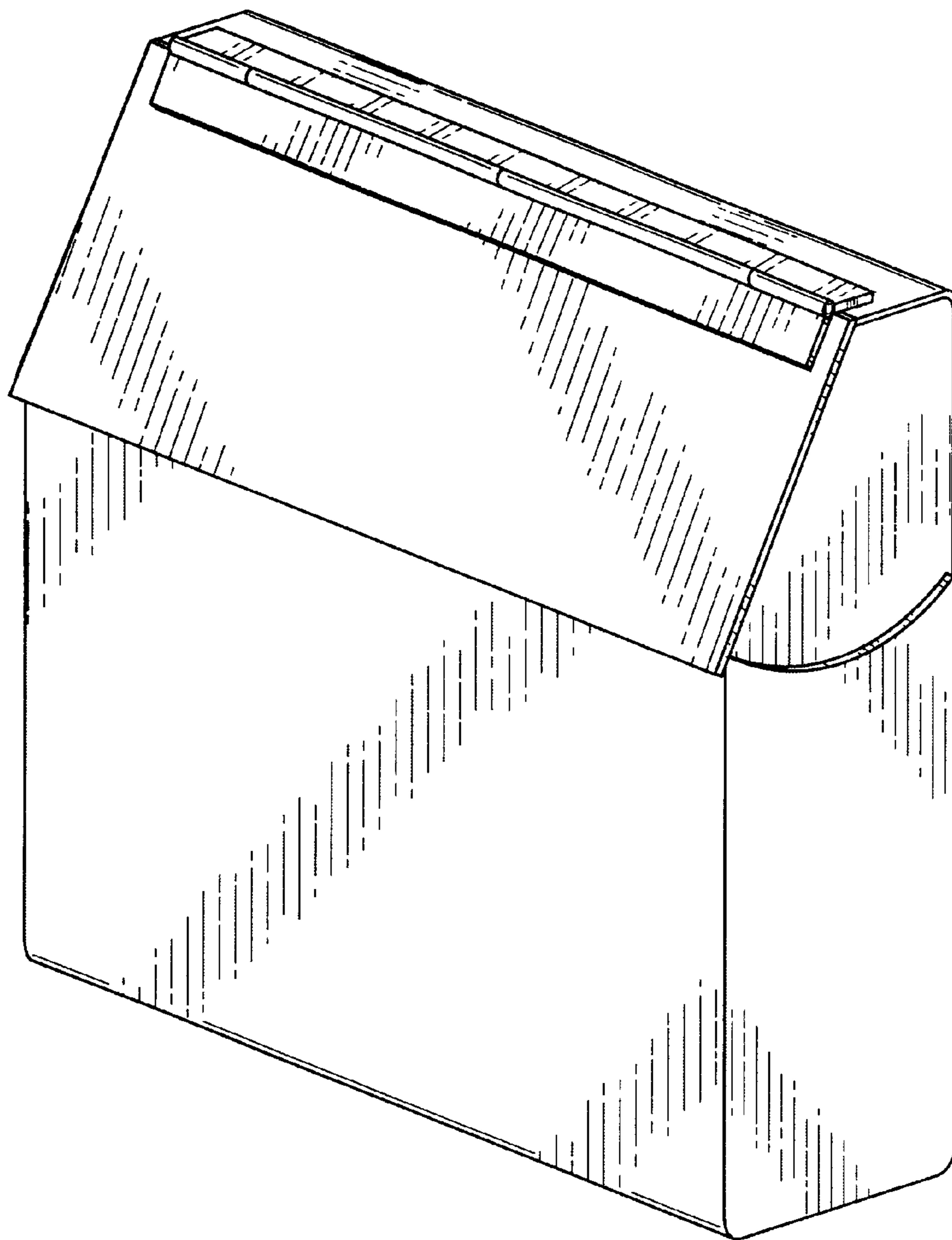


FIG. 1

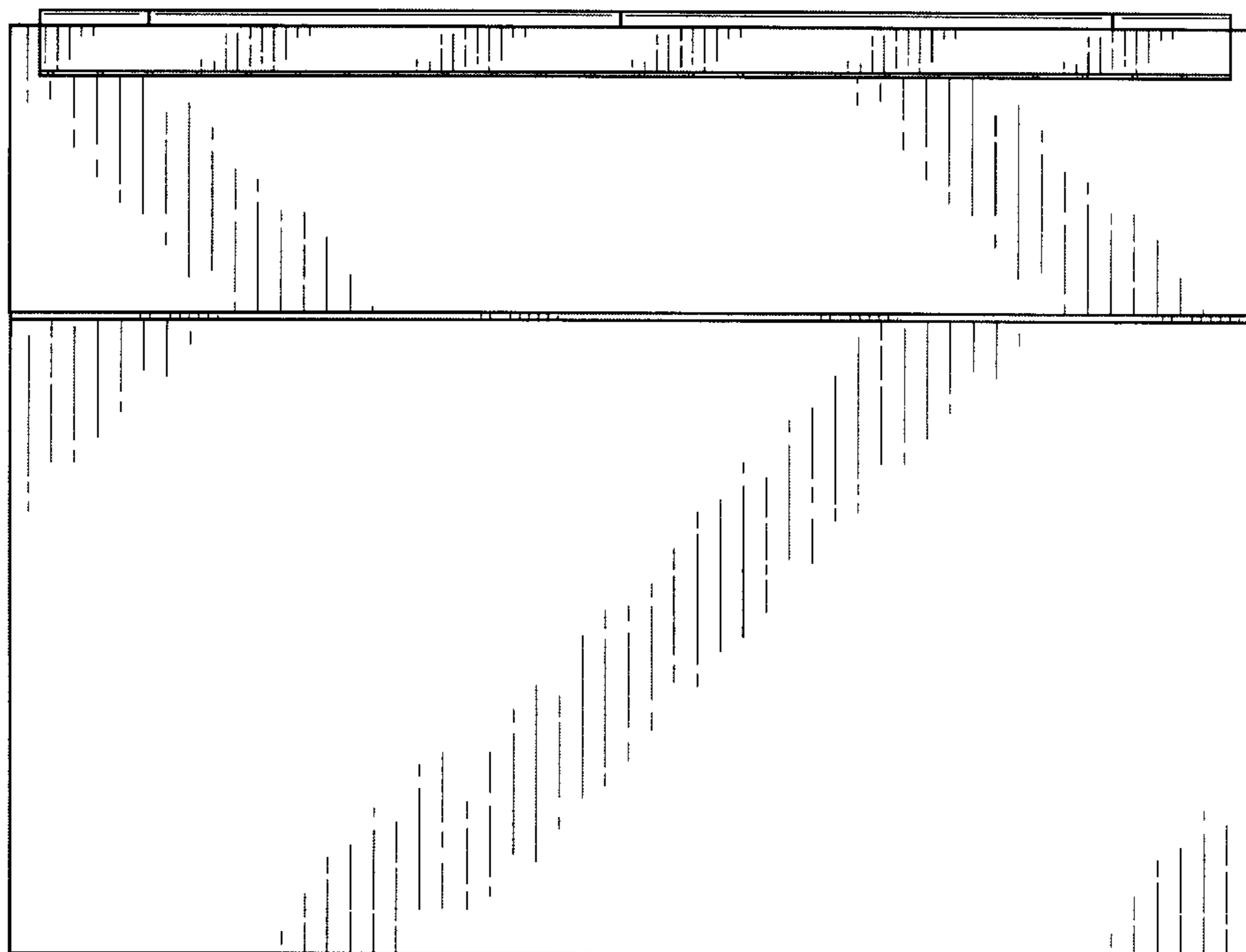


FIG. 2

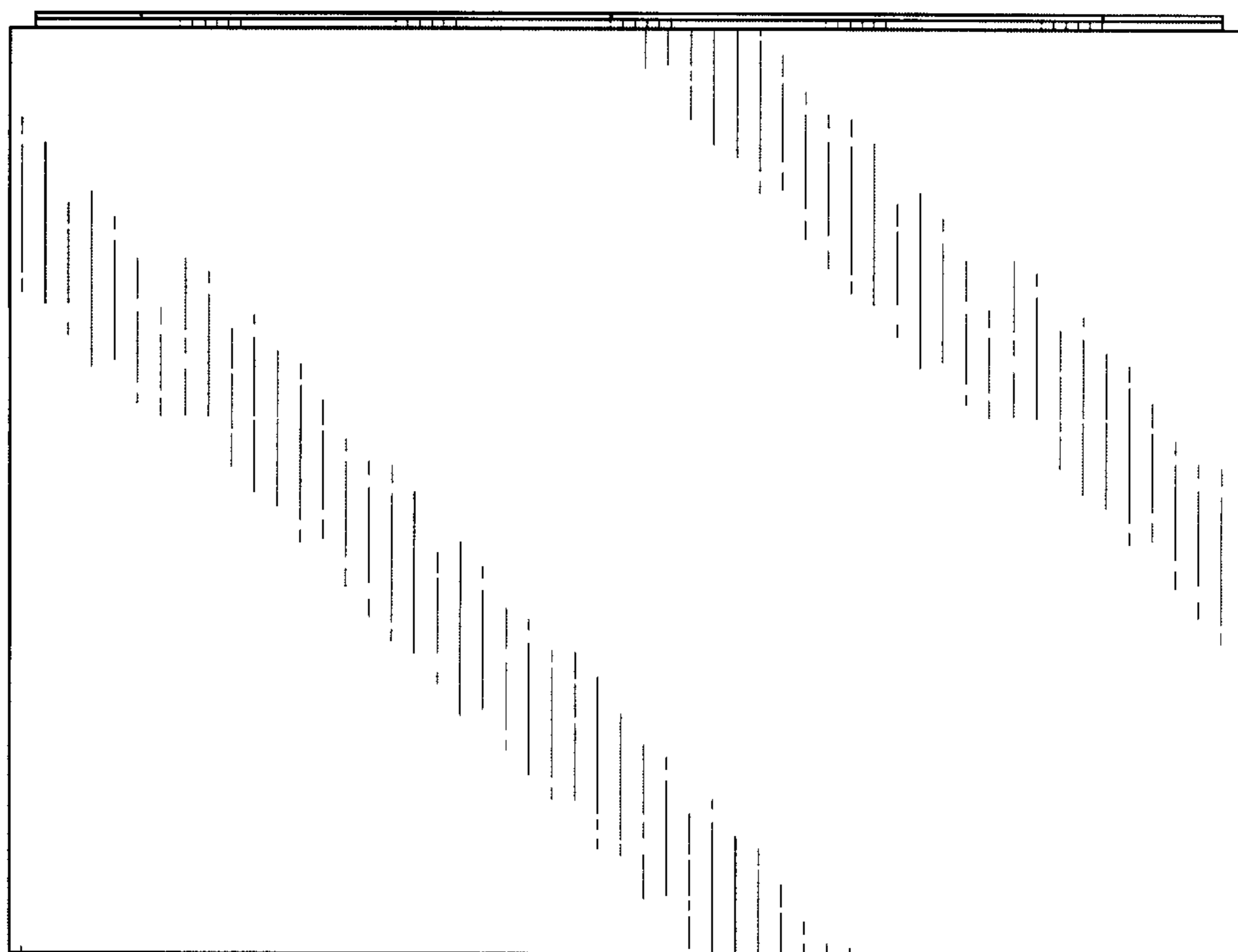


FIG. 3

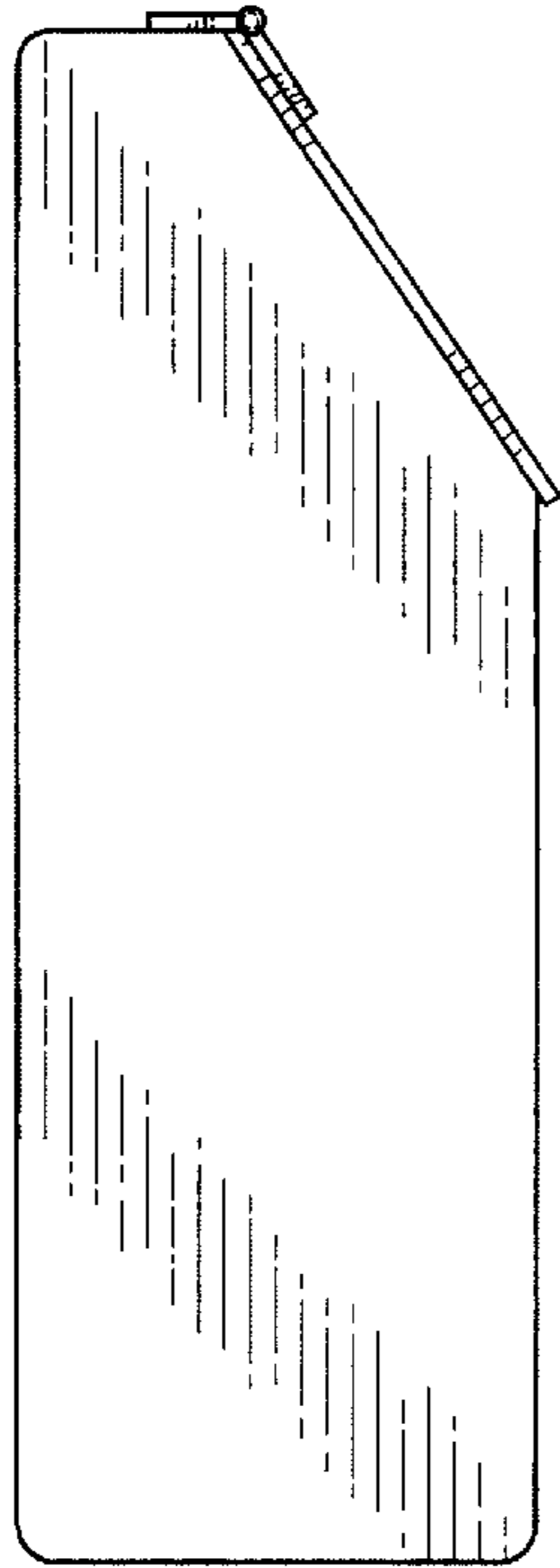


FIG. 4

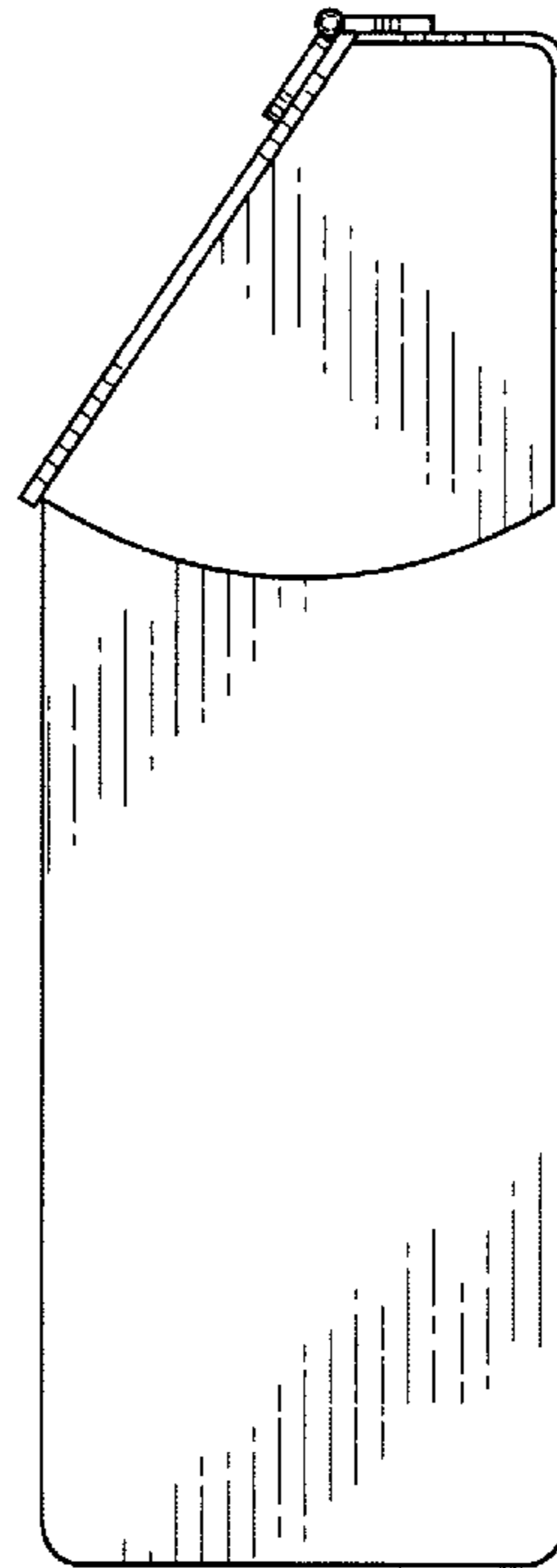


FIG. 5

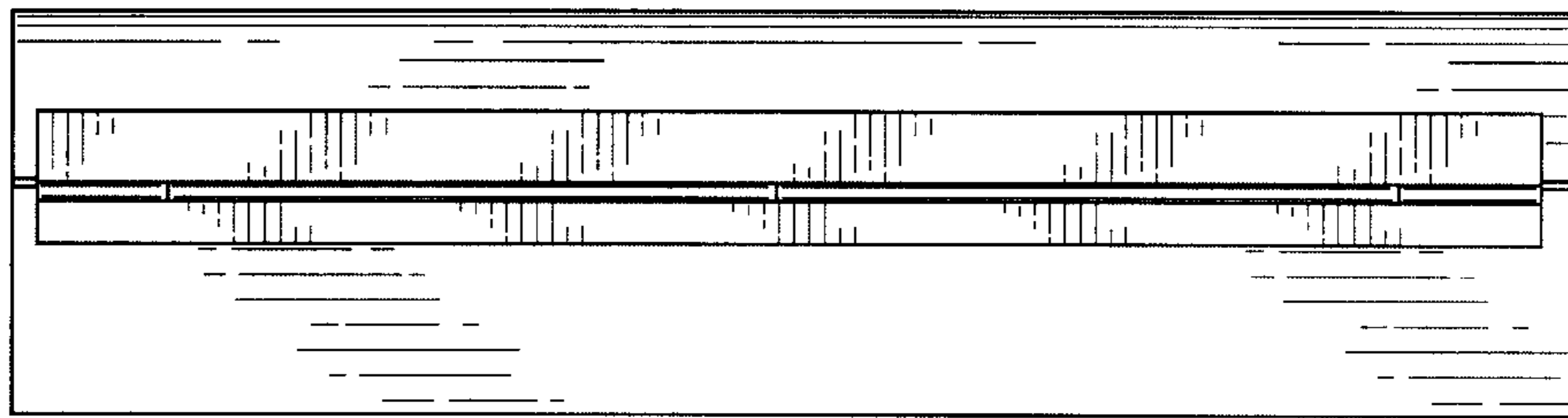


FIG. 6

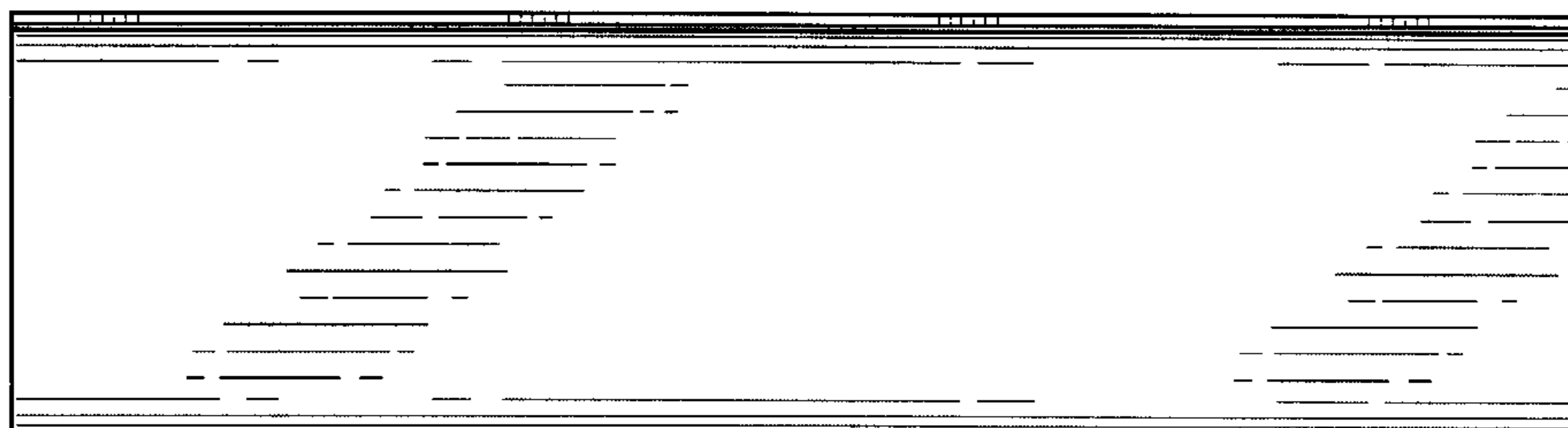


FIG. 7