



US00D540446S

(12) **United States Design Patent**
Kennard

(10) **Patent No.:** **US D540,446 S**

(45) **Date of Patent:** **** Apr. 10, 2007**

(54) **TANK HANDLE**

D458,989 S * 6/2002 Mullenmeister D23/254

(75) Inventor: **Dan Kennard**, Norcross, GA (US)

* cited by examiner

(73) Assignee: **Fusion Hardware Group, Inc.**,
Norcross, GA (US)

Primary Examiner—Robert A. Delehanty
(74) *Attorney, Agent, or Firm*—Leong C. Lei

(**) Term: **14 Years**

(57) **CLAIM**

(21) Appl. No.: **29/246,525**

The ornamental design for a tank handle, as shown and described.

(22) Filed: **Apr. 21, 2006**

DESCRIPTION

(51) **LOC (8) Cl.** **23-02**

FIG. 1 is a perspective view of a tank handle showing my new design;

(52) **U.S. Cl.** **D23/309**

FIG. 2 is a front elevational view thereof;

(58) **Field of Classification Search** D23/303,
D23/309, 250; D6/546, 550; 4/246.3, 661;
D8/313–314

FIG. 3 is a left side elevational view thereof;

FIG. 4 is a right side elevational view thereof;

See application file for complete search history.

FIG. 5 is a top plan view thereof;

FIG. 6 is a bottom plan view thereof; and,

FIG. 7 is another perspective view thereof, with a linking rod of a water tank engaged.

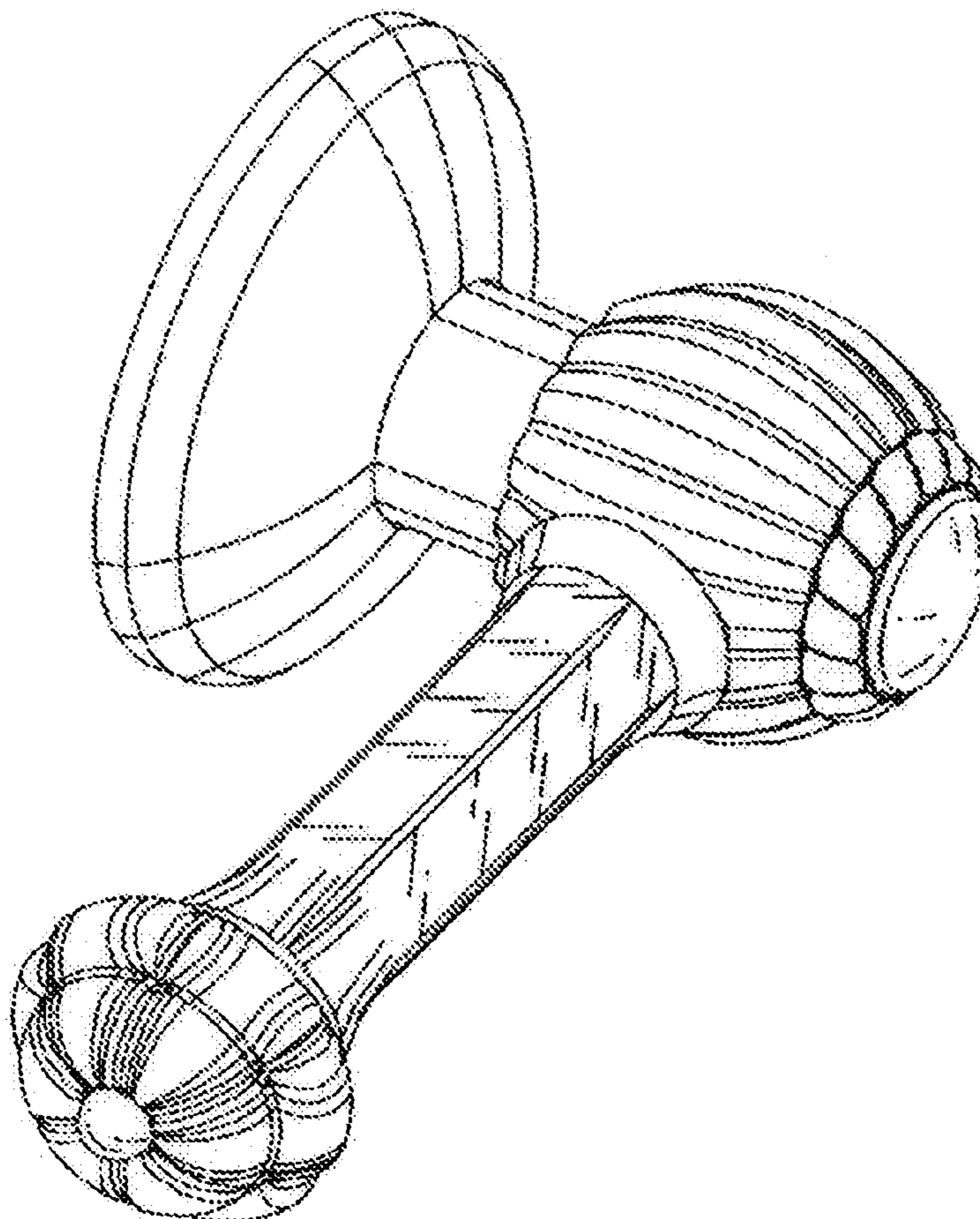
(56) **References Cited**

U.S. PATENT DOCUMENTS

- D79,774 S * 10/1929 Warner et al. D6/546
- D82,571 S * 11/1930 Lovett D6/550
- D433,103 S * 10/2000 Spangler D23/250
- D441,056 S * 4/2001 Warshawsky et al. D23/250

The dotted line showing of the linking rod of a water tank is for illustrative purposes only and forms no part of the claimed design.

1 Claim, 5 Drawing Sheets



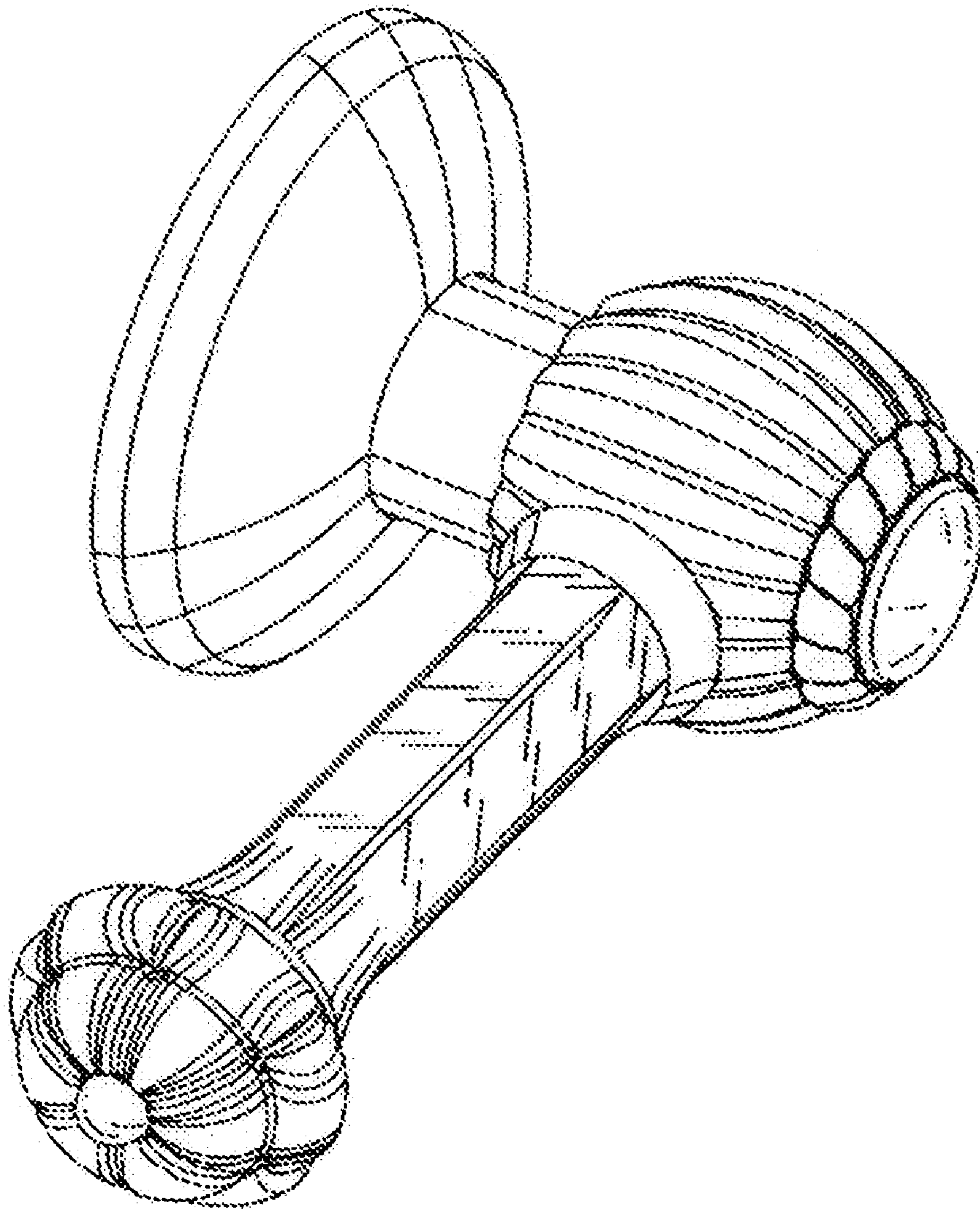


FIG. 1

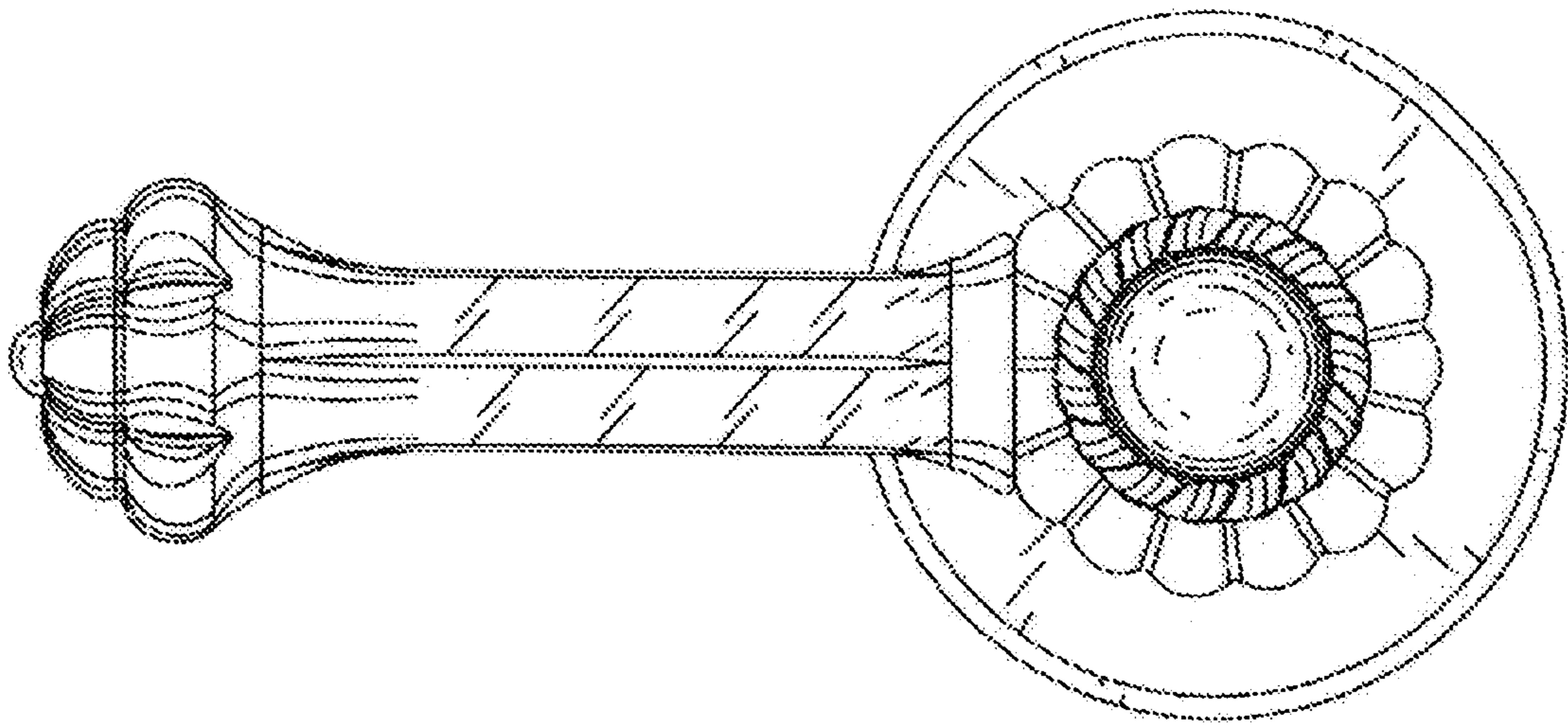


FIG. 2

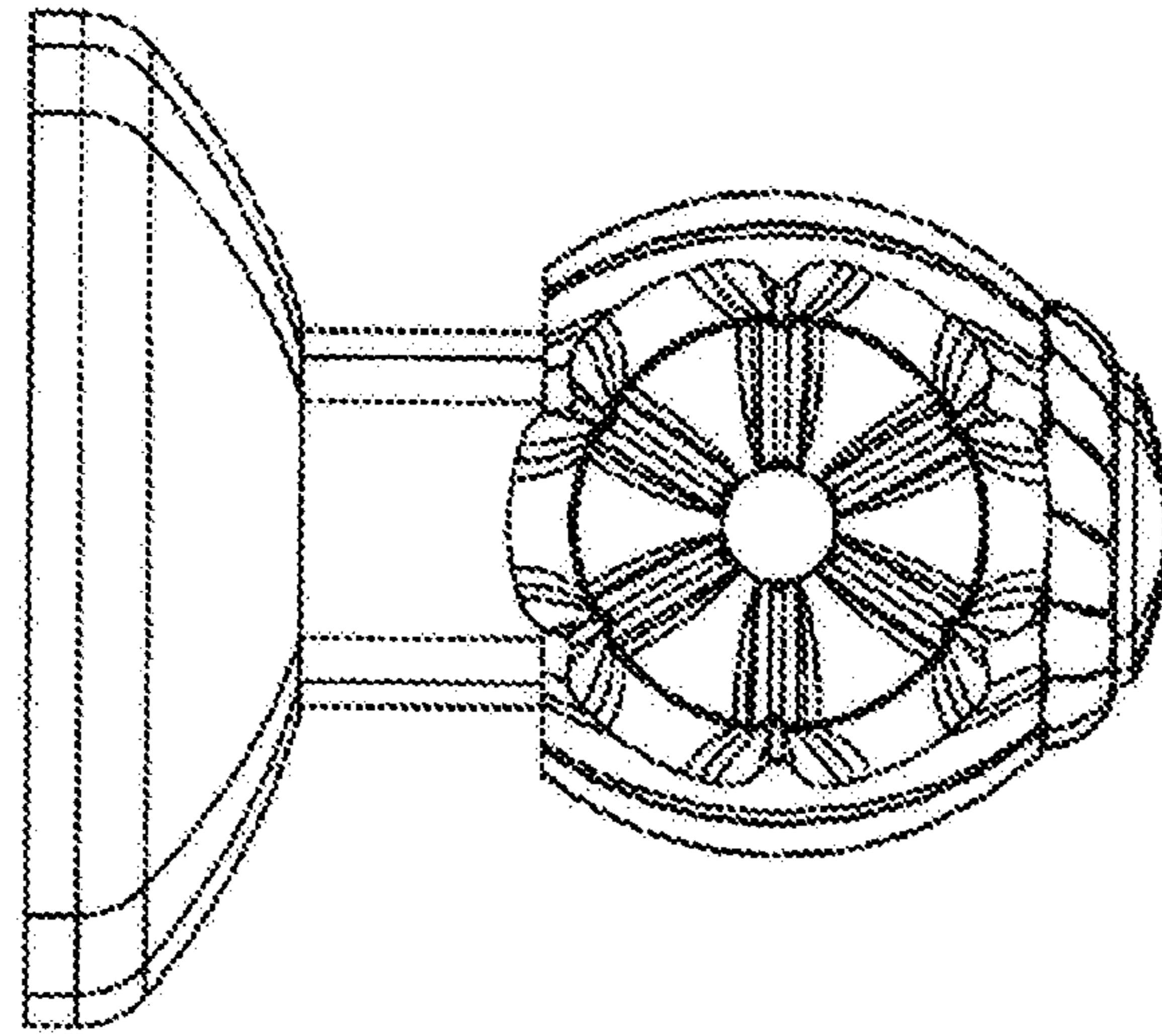


FIG. 3

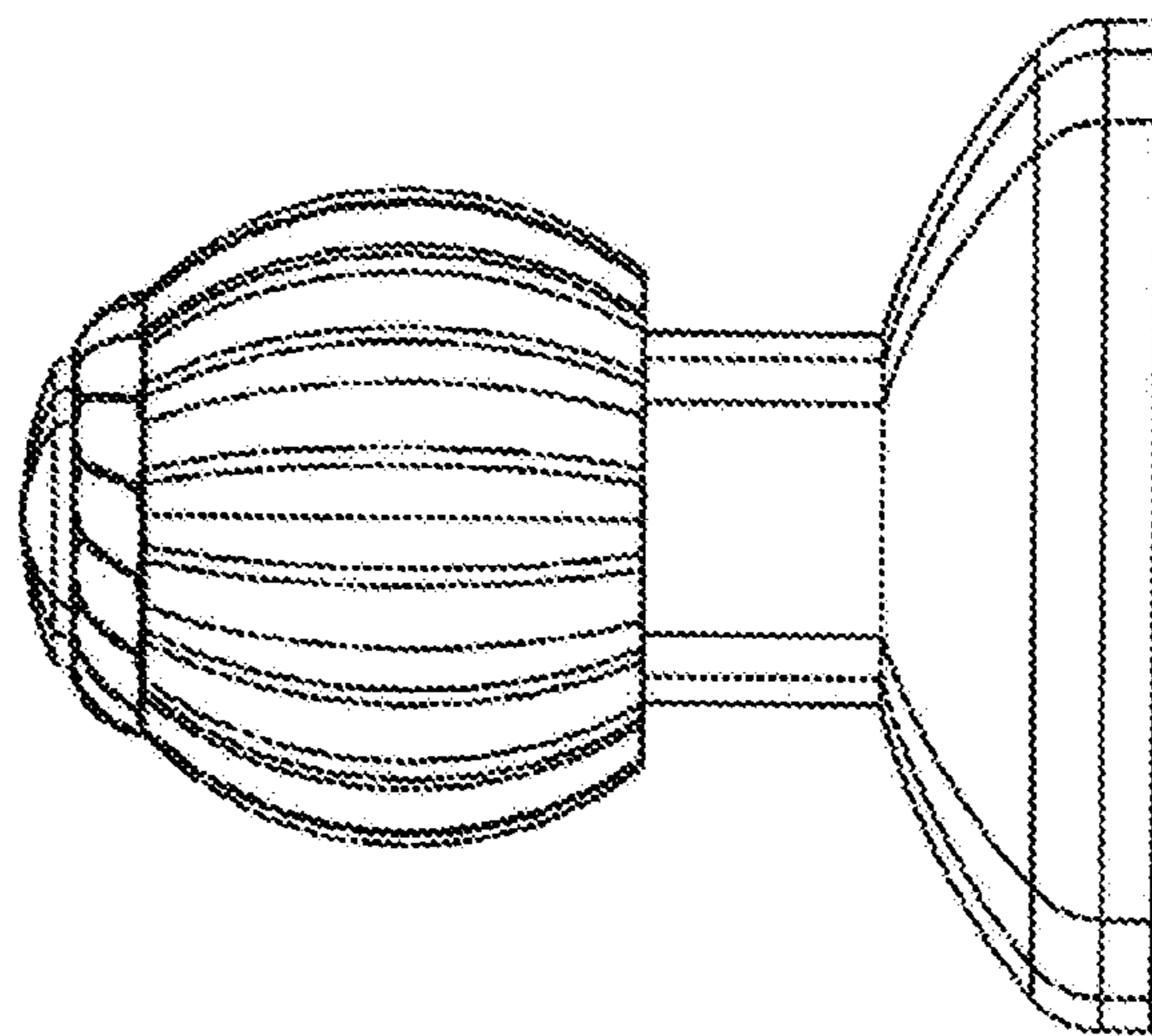


FIG. 4

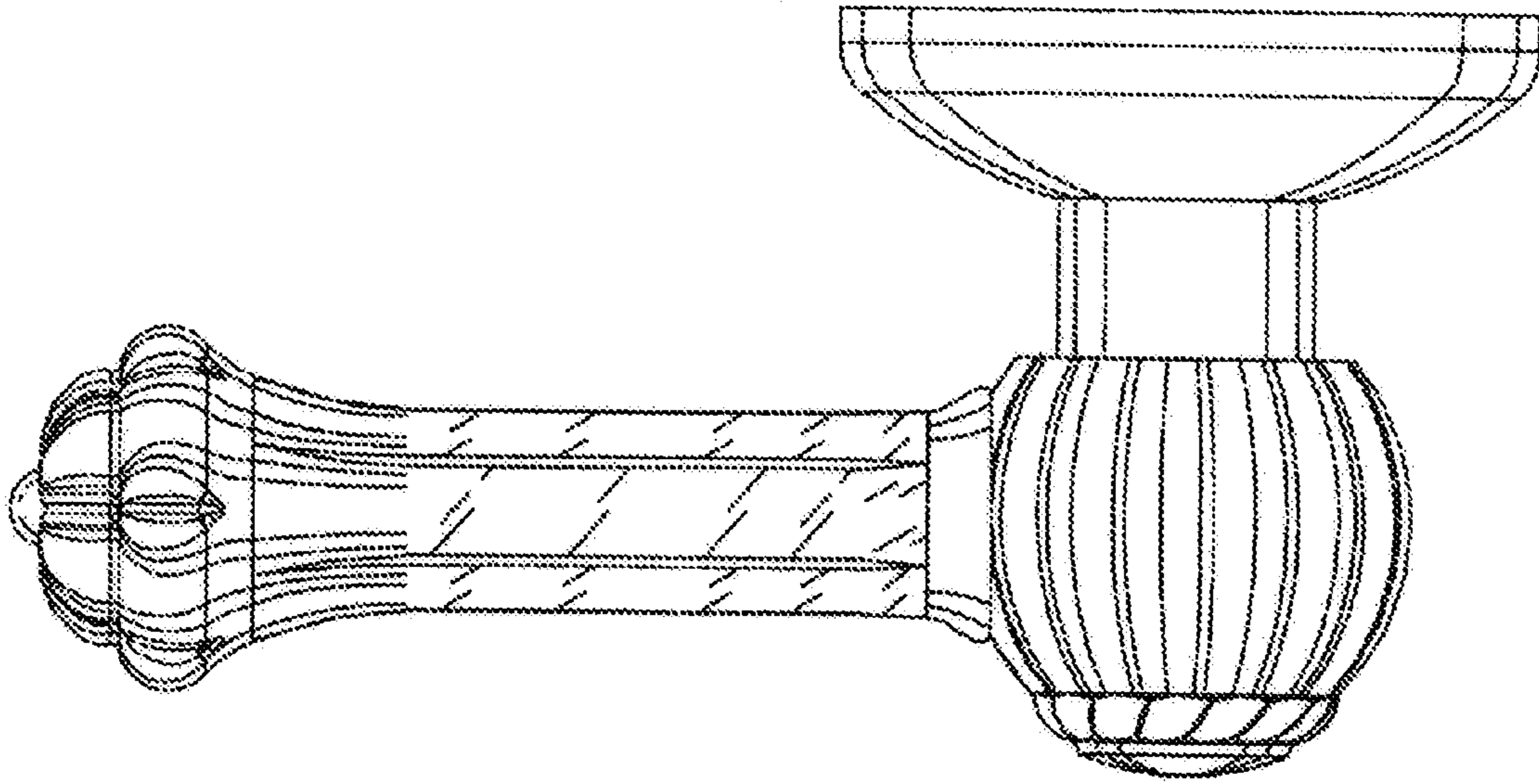


FIG. 5

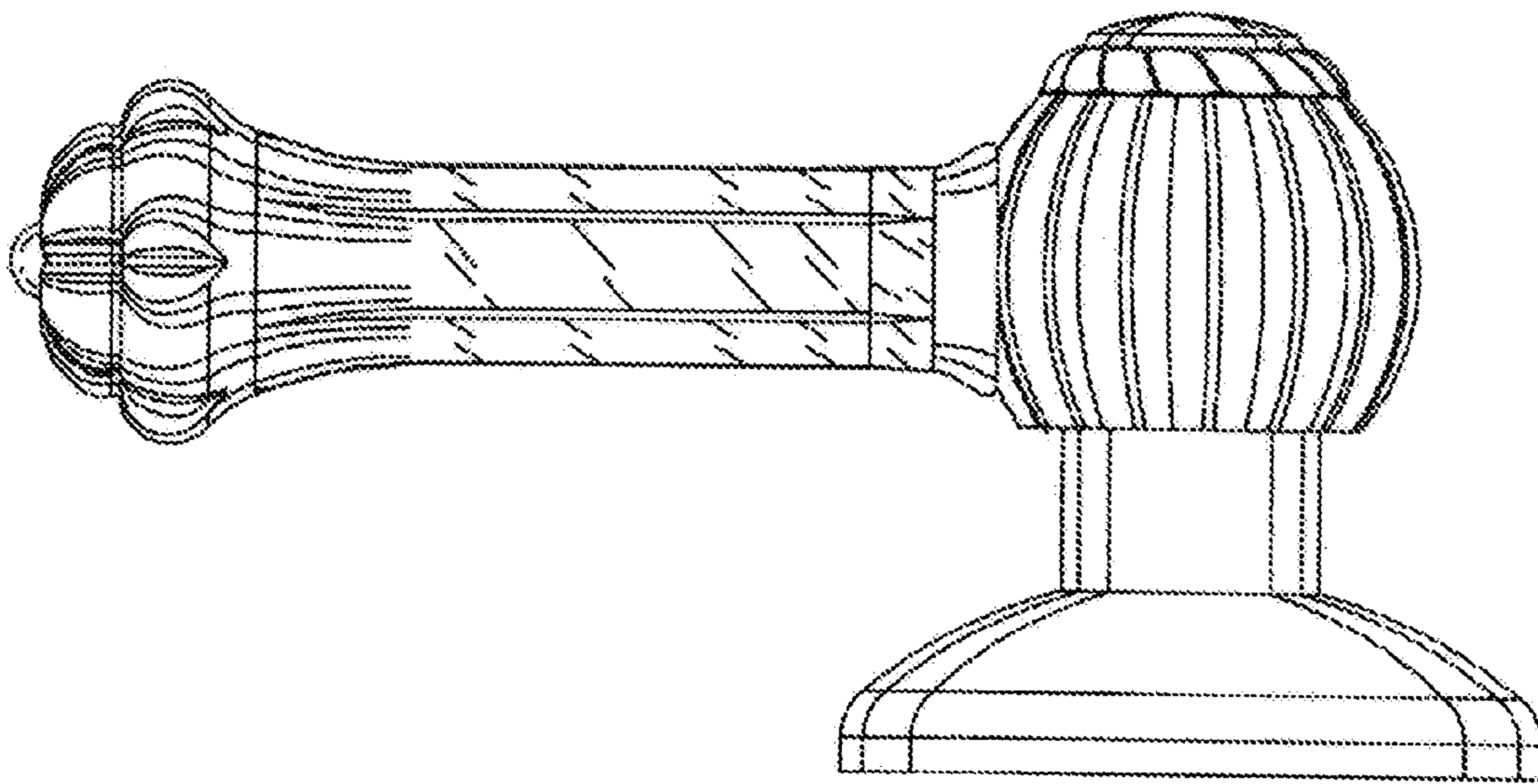


FIG. 6

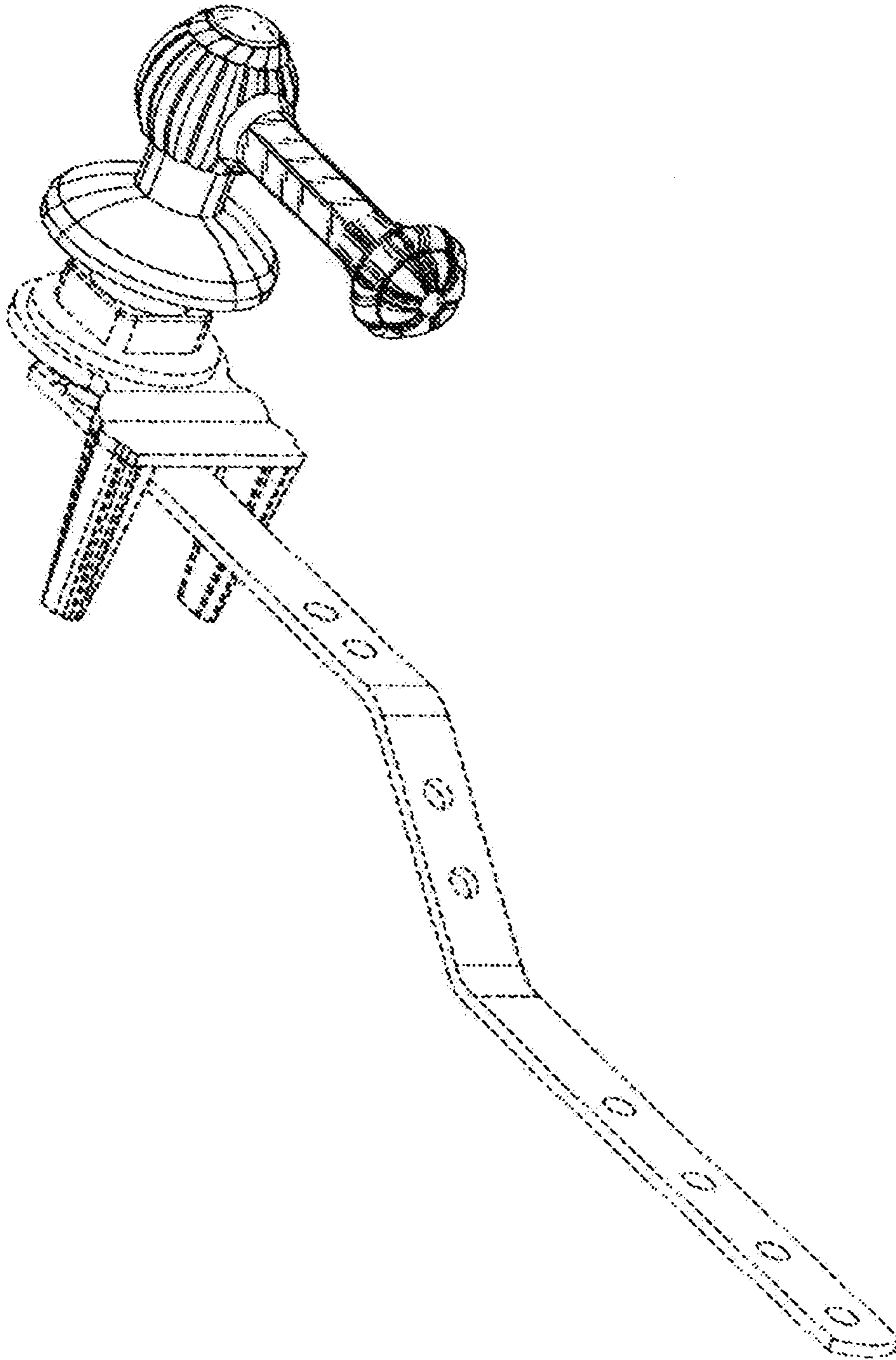


FIG. 7