



US00D540443S

(12) **United States Design Patent**
Paterson

(10) **Patent No.:** **US D540,443 S**

(45) **Date of Patent:** **** Apr. 10, 2007**

(54) **LAVATORY**

(75) Inventor: **Nicholas W. Paterson**, Sheboygan Falls, WI (US)

(73) Assignee: **Kohler Co.**, Kohler, WI (US)

(**) Term: **14 Years**

(21) Appl. No.: **29/240,445**

(22) Filed: **Oct. 13, 2005**

(51) **LOC (8) Cl.** **23-02**

(52) **U.S. Cl.** **D23/293.1**

(58) **Field of Classification Search** D23/270–271, D23/273, 284–287, 291, 293.1, 303, 308; 4/619, 624–625, 630, 661, DIG. 15; D21/524
See application file for complete search history.

(56) **References Cited**

U.S. PATENT DOCUMENTS

6,276,648 B1 * 8/2001 Katz et al. 4/648
D484,222 S * 12/2003 Zenobio D23/293.1
D501,246 S * 1/2005 Reid et al. D23/293.1

OTHER PUBLICATIONS

2004 Kohler catalog, p. 9.6, “The Bold Look of Kohler”, Tableau wall-mount lavatory K-14293.
AVANTE website at www.brookwater.co.uk/avante_glass_sinks_bowls.htm. Date printed Sep. 30, 2005.
Unknown Supplier at website http://store1.yimg.com/l/ira-woodinc_1861_7452940. Date printed Sep. 30, 2005.

DURAVIT website at www.duravit.us, Architec Series, Architec vanity washbasin with tap platform. Date printed Jun. 30, 2005.

* cited by examiner

Primary Examiner—Robert A. Delehanty

(74) *Attorney, Agent, or Firm*—Quarles & Brady LLP

(57) **CLAIM**

The ornamental design for a lavatory, as shown and described.

DESCRIPTION

In a preferred embodiment, the nature of this product is as a plumbing fixture in the form of a lavatory which is primarily useful for washing the body parts of humans.

FIG. 1 is a right, top, front perspective view of a lavatory embodying my new design;

FIG. 2 is a top plan view thereof;

FIG. 3 is a front elevational view thereof;

FIG. 4 is a right side elevational view thereof, the left side elevational view thereof being a mirror image of the right side shown;

FIG. 5 is a rear elevational view thereof;

FIG. 6 is a bottom plan view thereof; and,

FIG. 7 is a cross sectional view thereof taken along line 7—7 of FIG. 2.

The broken line representations of a drain in FIGS. 1–7 and a mounting hole in FIGS. 1, 2 and 6 are for the purpose of illustration only, and form no part of the claimed design.

1 Claim, 3 Drawing Sheets

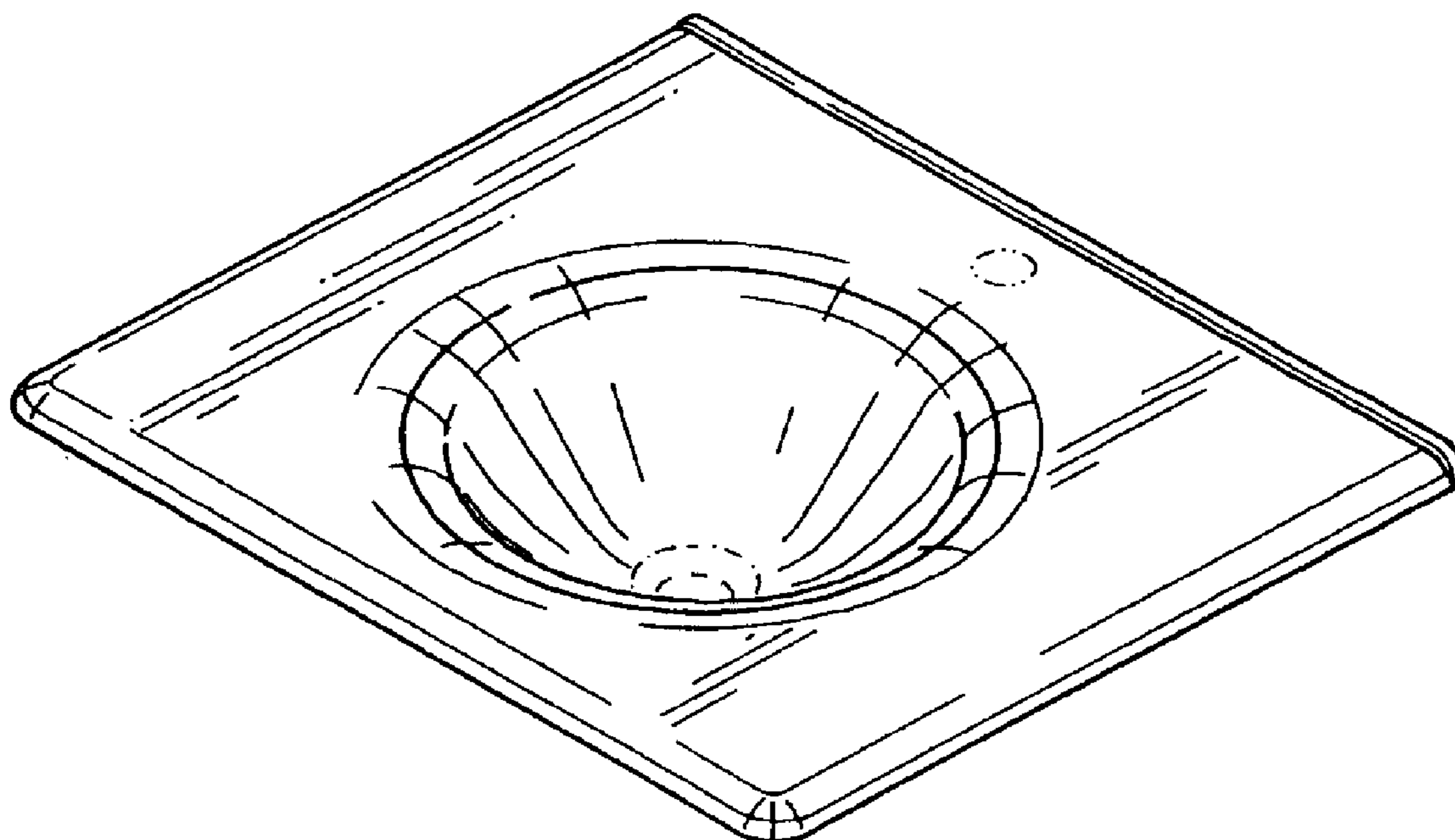


FIG. 1

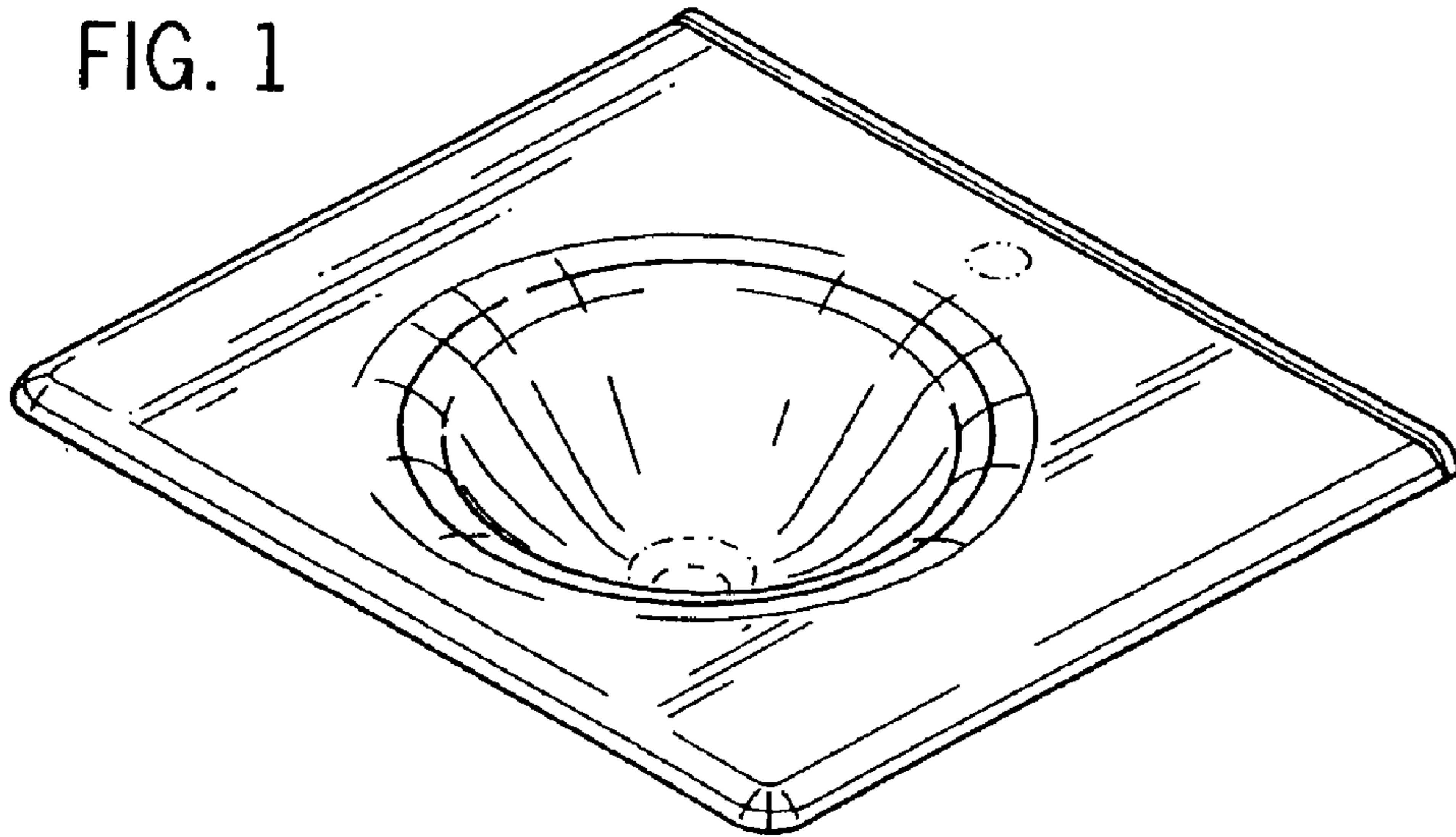


FIG. 2

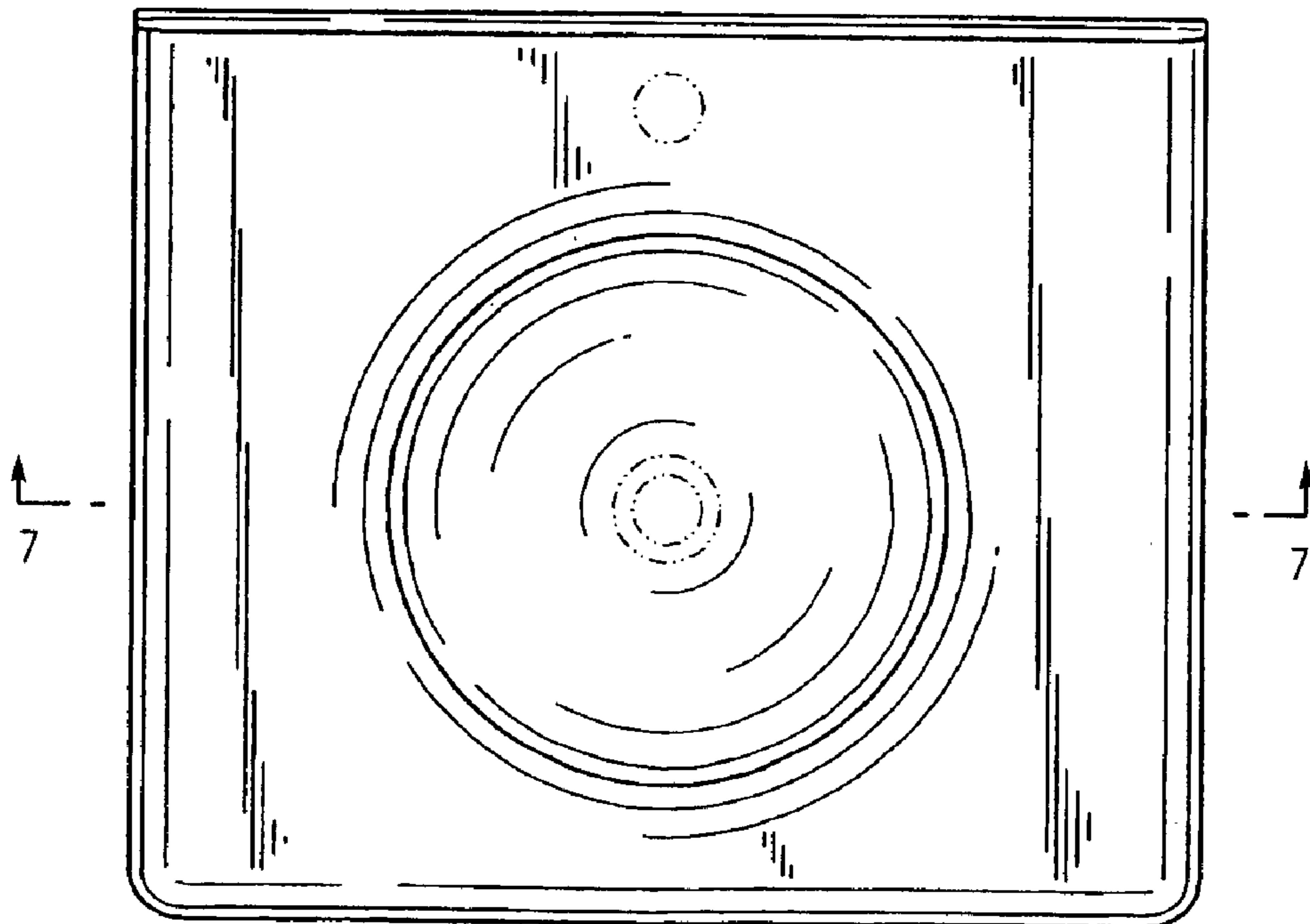


FIG. 3

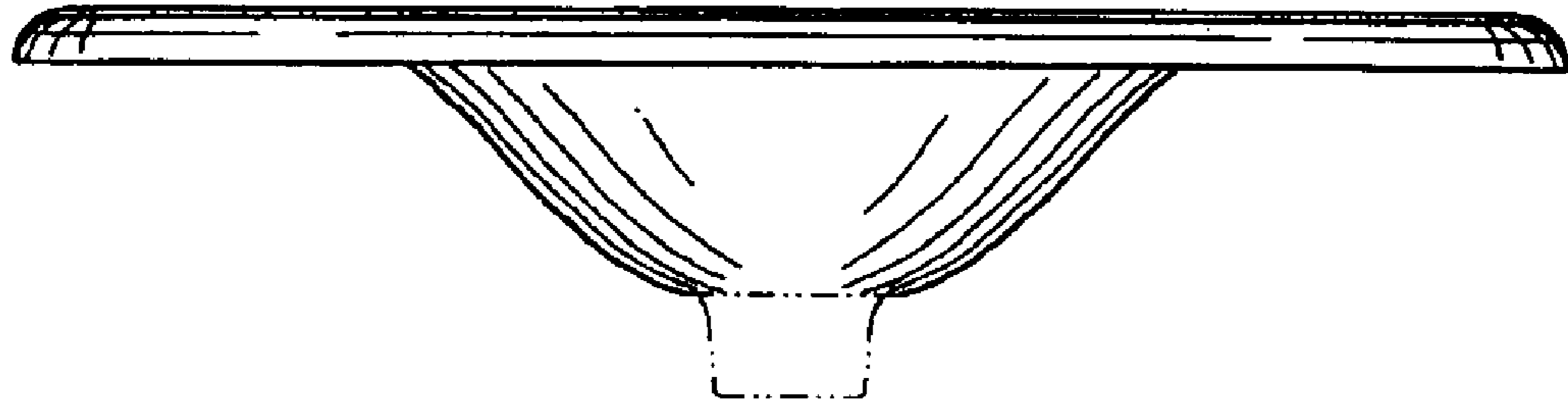


FIG. 4

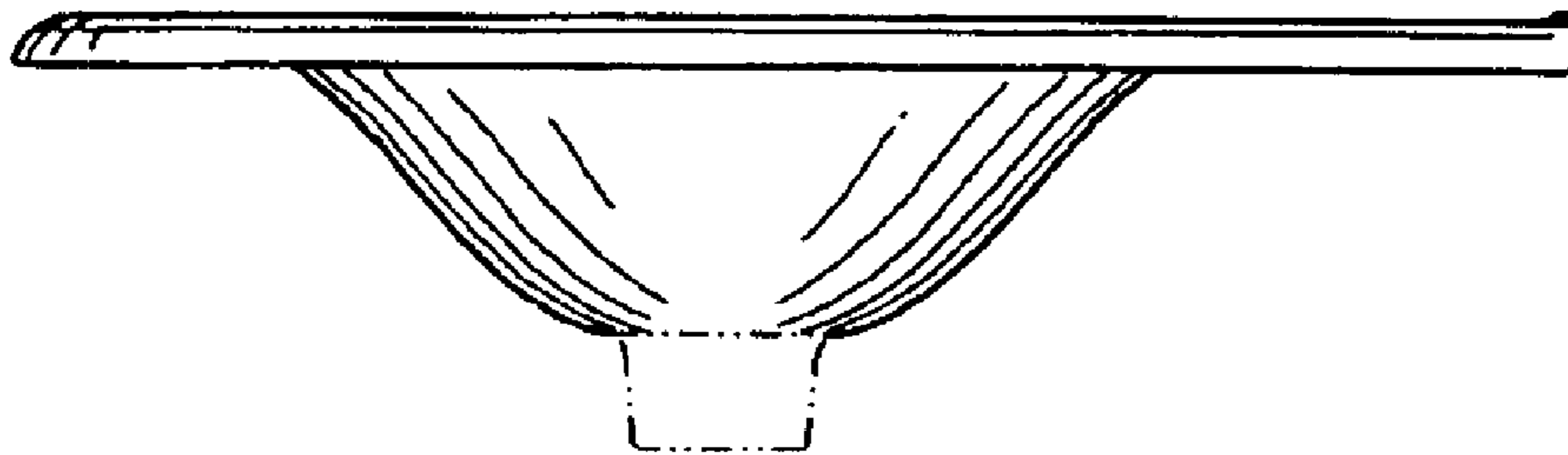


FIG. 5

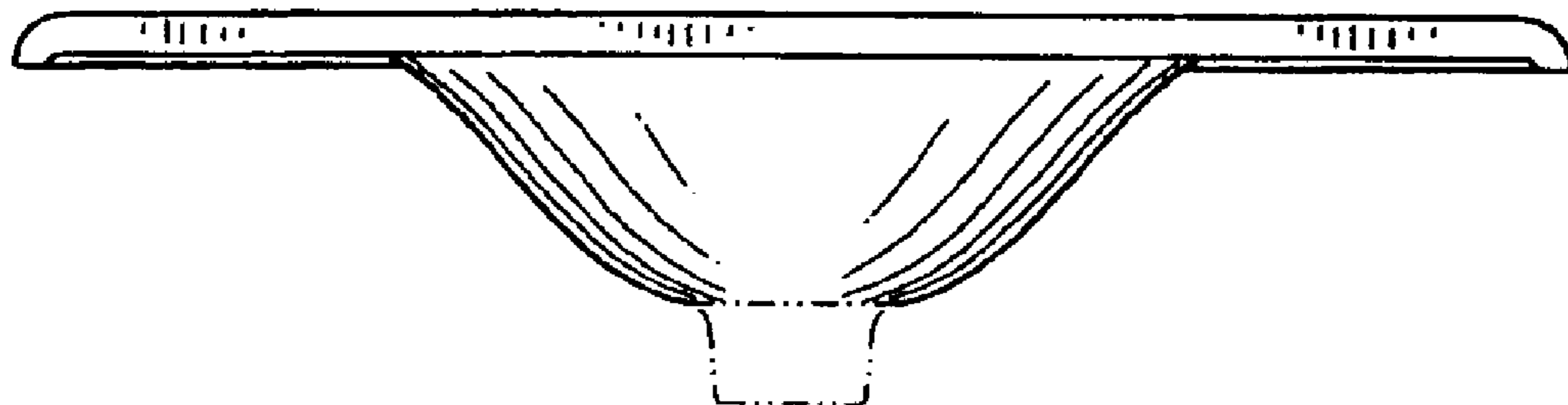


FIG. 6

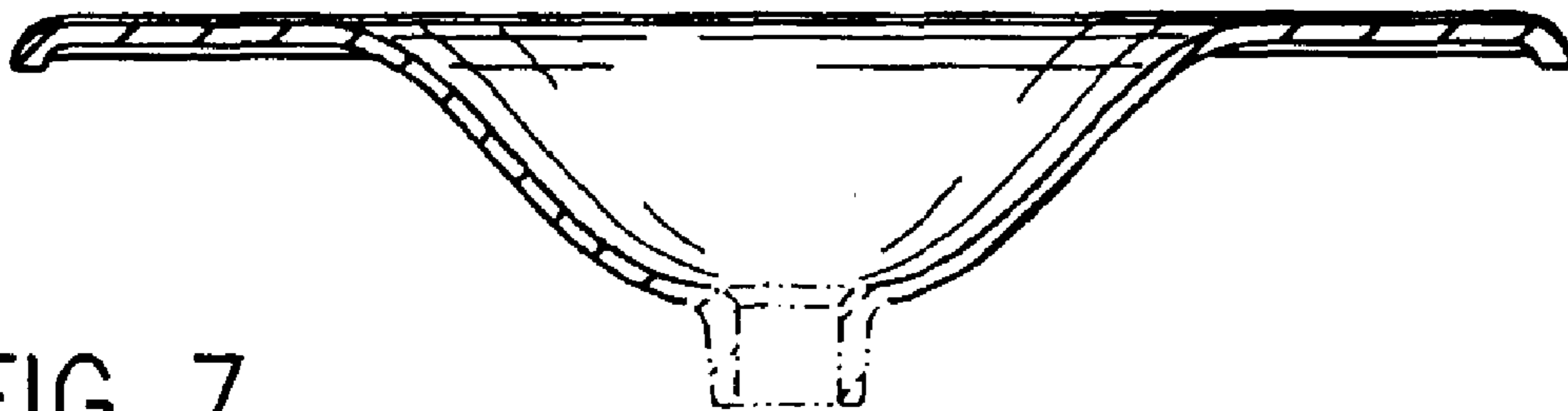
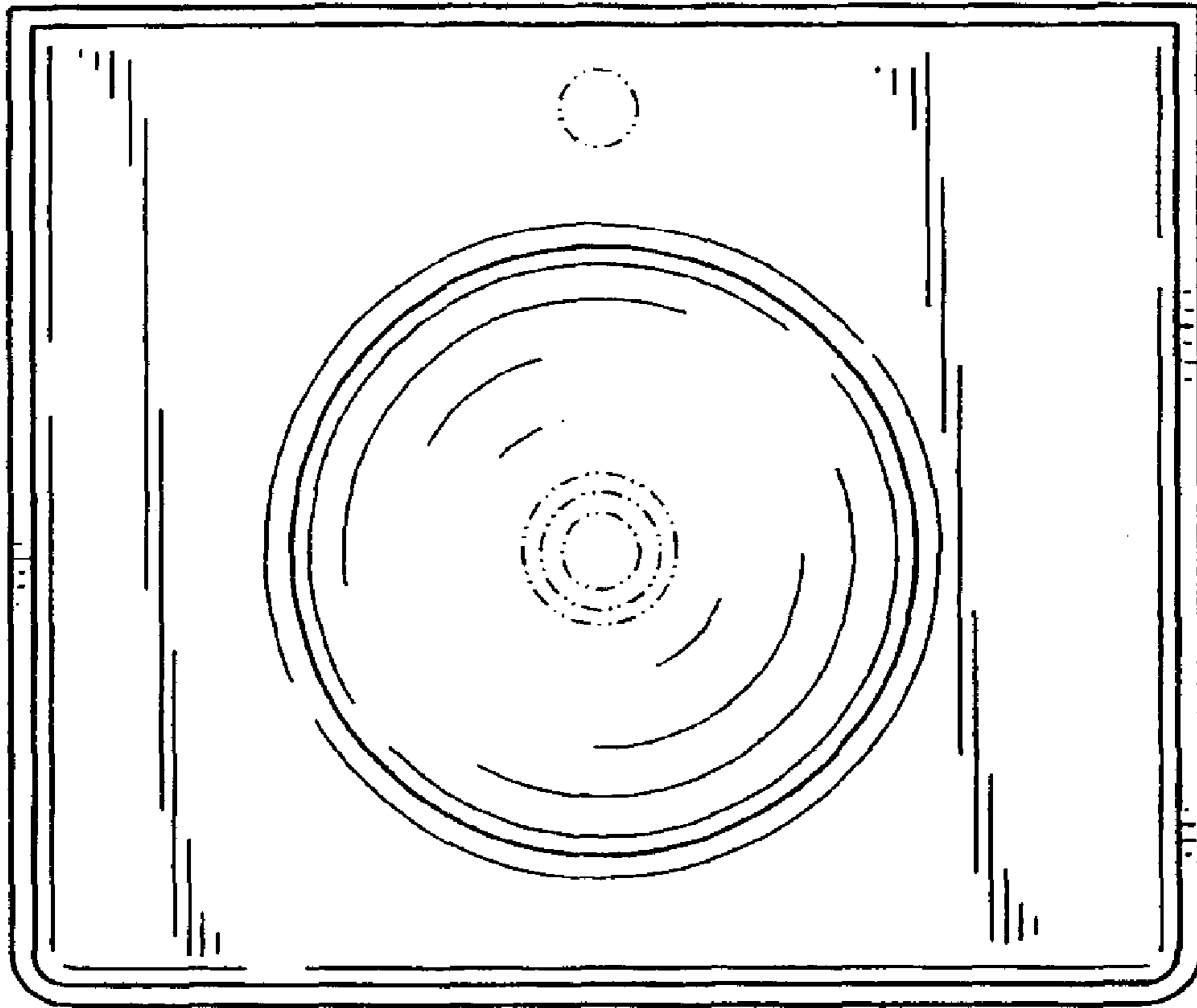


FIG. 7