

US00D540442S

(12) **United States Design Patent** (10) **Patent No.:** **US D540,442 S**
Kohler, Jr. et al. (45) **Date of Patent:** **** Apr. 10, 2007**

(54) **LAVATORY**

(75) Inventors: **Herbert V. Kohler, Jr.**, Kohler, WI (US); **Francois Kergoet**, Malakoff (FR)

(73) Assignee: **Kohler Co.**, Kohler, WI (US)

(**) Term: **14 Years**

(21) Appl. No.: **29/240,094**

(22) Filed: **Oct. 7, 2005**

(51) **LOC (8) Cl.** **23-02**

(52) **U.S. Cl.** **D23/293.1**

(58) **Field of Classification Search** D23/270–271, D23/273, 284–287, 291, 293.1, 303, 308; 4/619, 624–625, 630, 661, DIG. 15; D21/524
See application file for complete search history.

(56) **References Cited**

U.S. PATENT DOCUMENTS

D258,906 S	4/1981	Doman	
D293,930 S	* 1/1988	Reid	D23/292
D296,923 S	7/1988	Brossardt et al.	
D347,273 S	* 5/1994	Wei	D23/293.1
D390,928 S	* 2/1998	Slothower	D23/284
D399,933 S	* 10/1998	Thomas	D23/284
D408,898 S	4/1999	Kaiser	
D410,531 S	6/1999	Kaiser	
D434,124 S	* 11/2000	McKeone	D23/284
D472,617 S	4/2003	Lanius	
D497,200 S	10/2004	Kakahana	

FOREIGN PATENT DOCUMENTS

IT 029748 9/1985

OTHER PUBLICATIONS

PORCHER catalog, Concorde Pedestal Sink.
Jacob Delafon catalog showing “Altair”, “Odeon” and “Aster” lavatories.

Jacob Delafon catalog showing “Altair”, “Odeon” and “Aster” lavatories.

BROADWAY catalog page, A Touch of English Elegance, Twyfords Bathrooms.

* cited by examiner

Primary Examiner—Robert A. Delehanty

(74) *Attorney, Agent, or Firm*—Quarles & Brady LLP

(57) **CLAIM**

The ornamental design for a lavatory, as shown and described.

DESCRIPTION

In a preferred embodiment, the nature of this product is as a plumbing fixture in the form of a lavatory which is primarily useful for washing the body parts of humans.

FIG. 1 is a right, top, front perspective view of a lavatory embodying our new design;

FIG. 2 is a top plan view thereof;

FIG. 3 is a front elevational view thereof;

FIG. 4 is a right side elevational view thereof, the left side elevational view thereof being a mirror image of the right side shown;

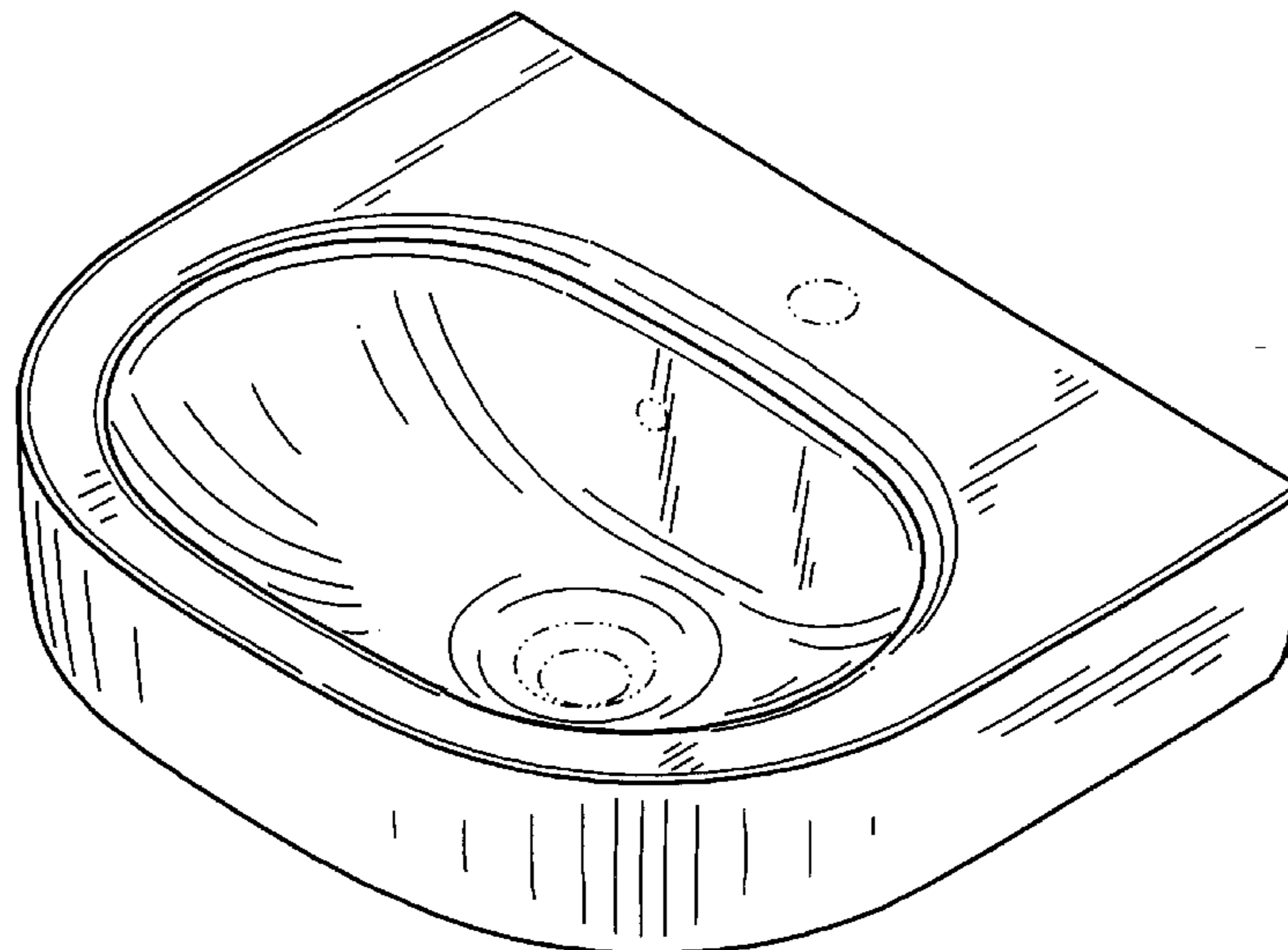
FIG. 5 is a rear elevational view thereof;

FIG. 6 is a bottom plan view thereof;

FIG. 7 is a right, top, front perspective view of the lavatory of FIG. 1 with pedestal environment shown in phantom; and, FIG. 8 is a right, top, front perspective view of a lavatory of FIG. 1 with wall-mounted shroud environment shown in phantom.

The broken line representations of a drain and holes in FIGS. 1, 2, 7 and 8, underside structure in FIGS. 3–6, and rear structure in FIG. 5, pedestal environment in FIG. 7, and shroud environment in FIG. 8, are for the purpose of illustration only, and form no part of the claimed design.

1 Claim, 5 Drawing Sheets



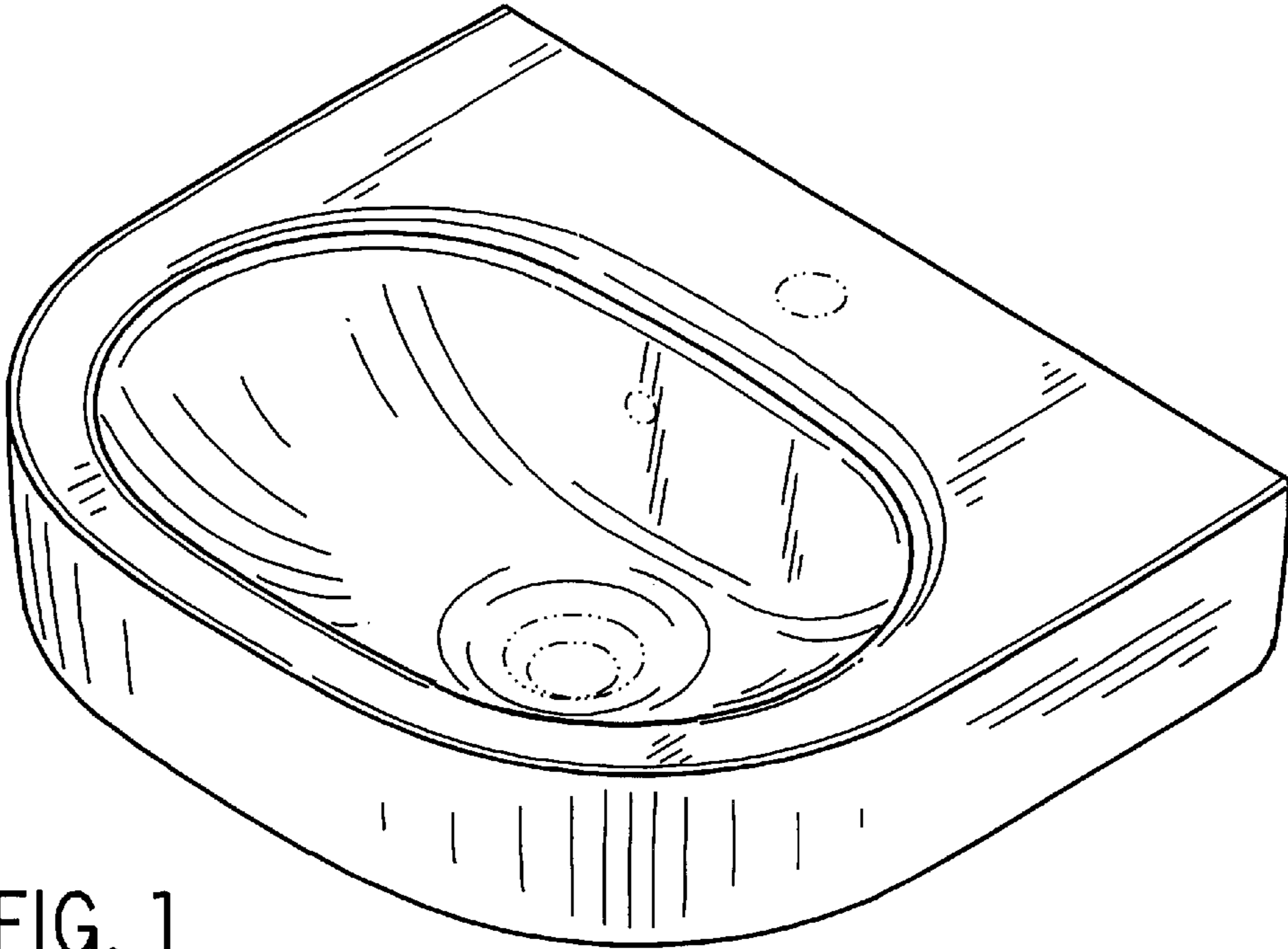


FIG. 1

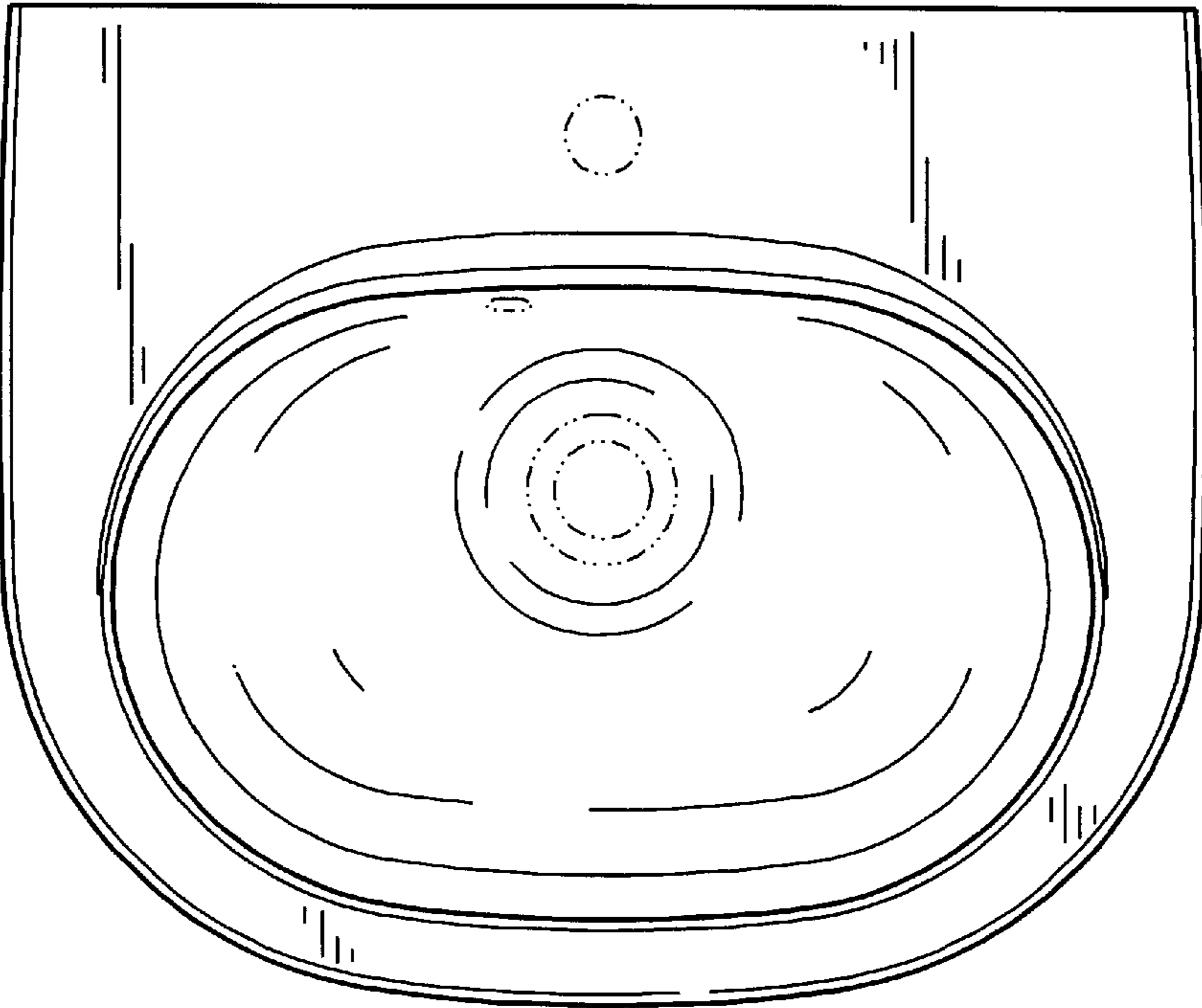


FIG. 2

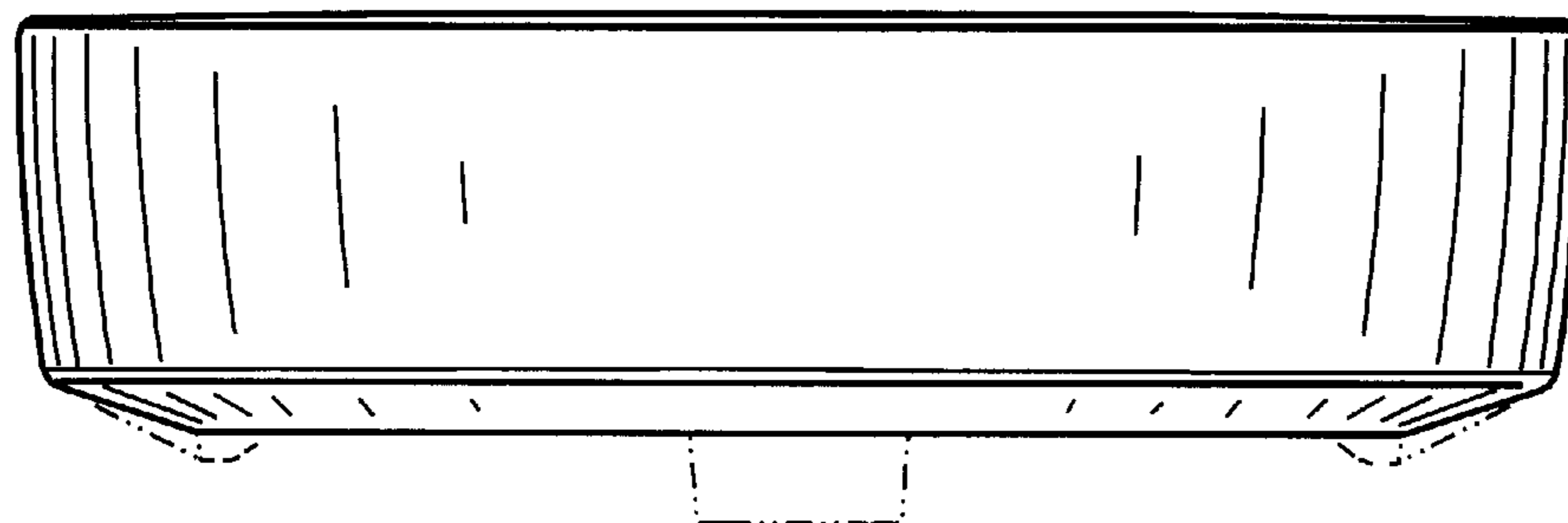


FIG. 3

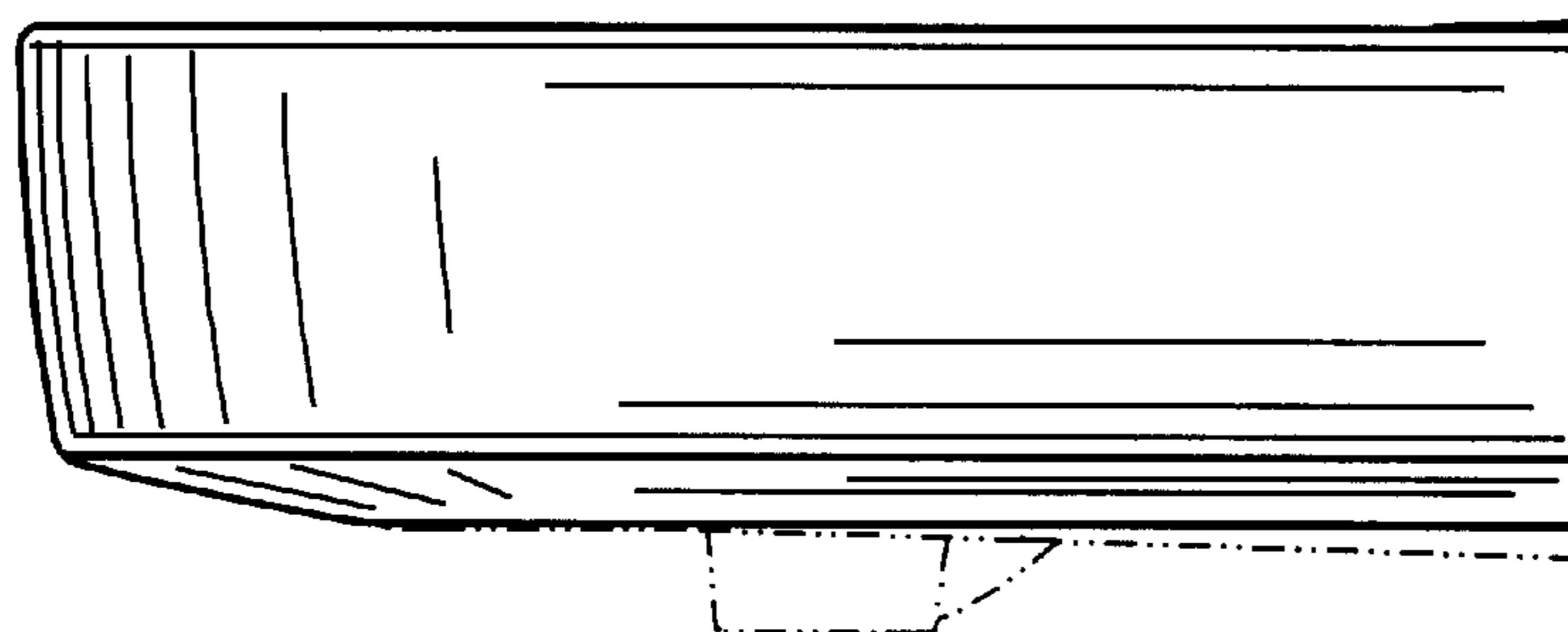


FIG. 4

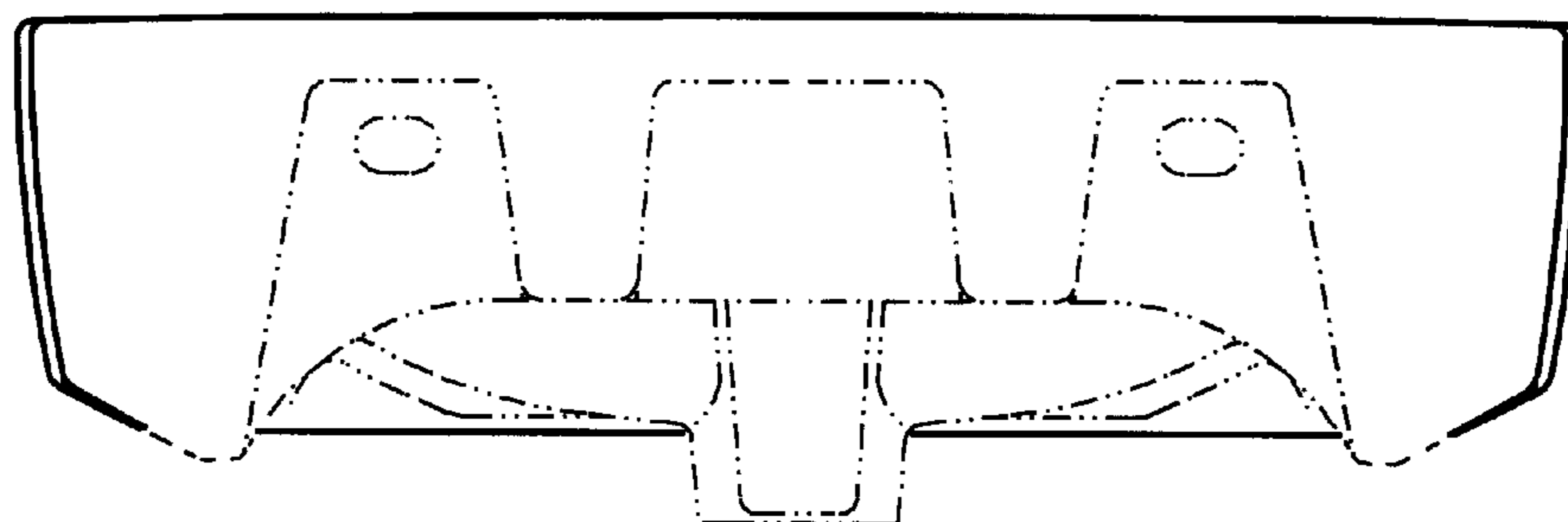


FIG. 5

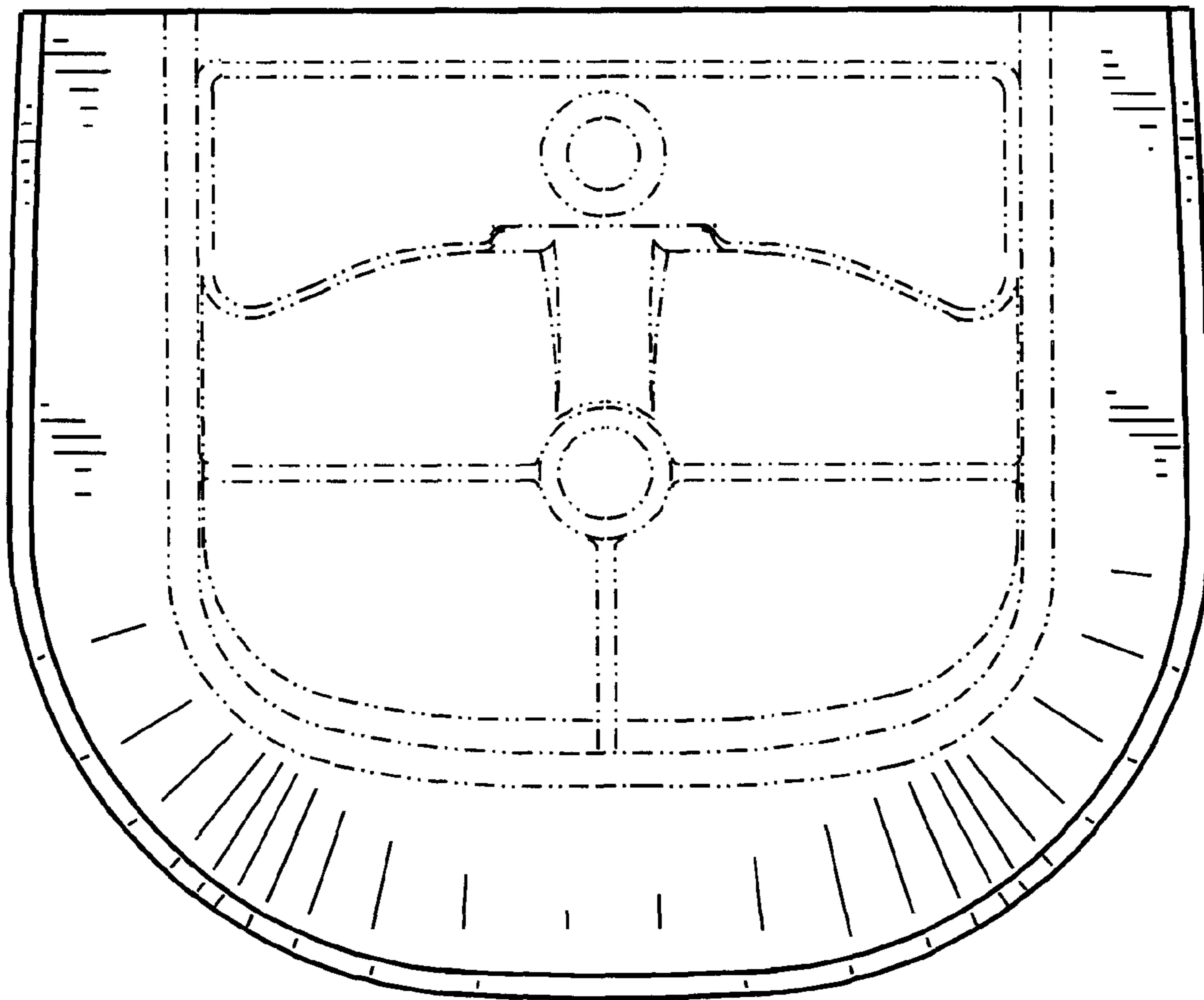


FIG. 6

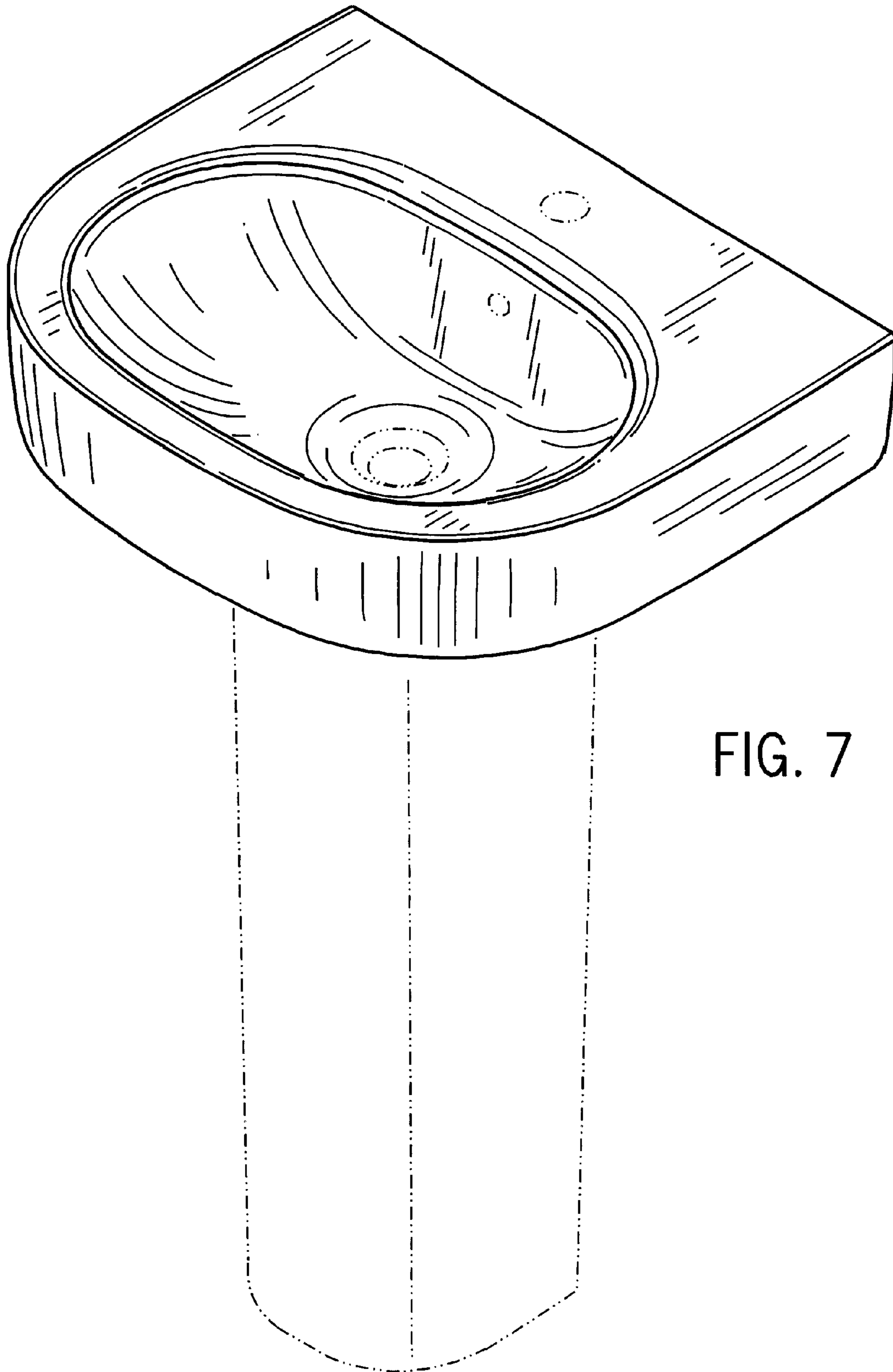


FIG. 7

