



US00D540439S

(12) **United States Design Patent**
Bruce

(10) **Patent No.:** **US D540,439 S**

(45) **Date of Patent:** **** Apr. 10, 2007**

(54) **BATHTUB**

D460,538 S * 7/2002 Jacuzzi D23/280.1
D524,925 S * 7/2006 Lanius D23/280.1

(75) Inventor: **Shawn Ian Bruce**, Los Angeles, CA
(US)

* cited by examiner

(73) Assignee: **Jason Inc.**, North Little Rock, AR (US)

Primary Examiner—Robert A. Delehanty

(74) *Attorney, Agent, or Firm*—Banner & Witcoff, Ltd.

(**) Term: **14 Years**

(57) **CLAIM**

(21) Appl. No.: **29/246,513**

The ornamental design for a bathtub, as shown and described.

(22) Filed: **Apr. 20, 2006**

DESCRIPTION

(51) **LOC (8) Cl.** **23-02**

(52) **U.S. Cl.** **D23/277**

(58) **Field of Classification Search** D23/271,
D23/273, 275–277, 280.1, 303–306; D24/204–205;
4/538, 571.1–573.1, 575.1, 584–586, 589,
4/661, 545–546, 592–593

See application file for complete search history.

FIG. 1 is a rear view of a bathtub showing my new design;
FIG. 2 is a front perspective view thereof;
FIG. 3 is a front view thereof;
FIG. 4 is an isometric view thereof;
FIG. 5 is a left side elevational view thereof;
FIG. 6 is a right side elevational view thereof;
FIG. 7 is a top plan view thereof;
FIG. 8 is a bottom view thereof; and,
FIG. 9 is a trimetric view thereof.

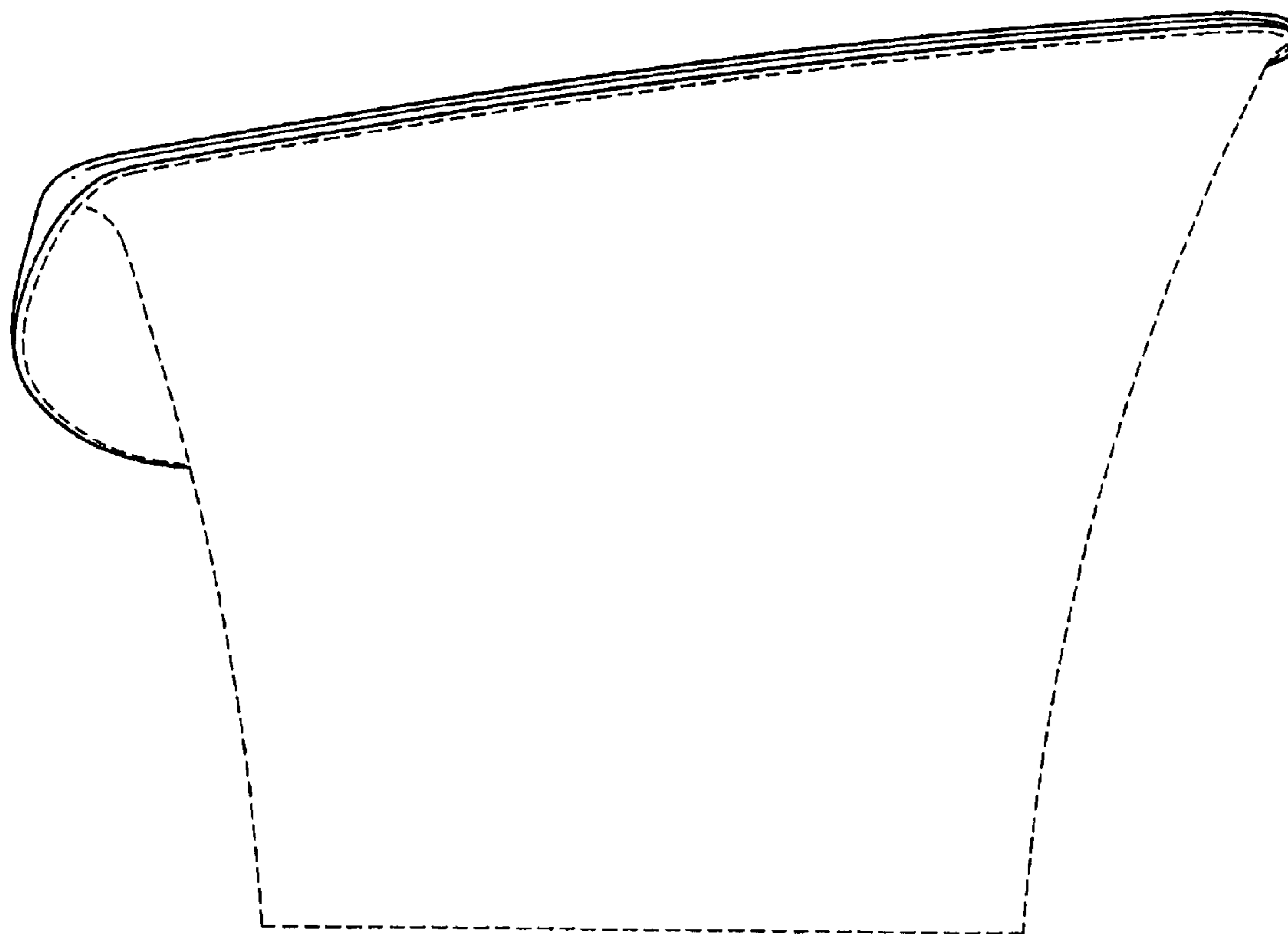
(56) **References Cited**

U.S. PATENT DOCUMENTS

D235,105 S * 5/1975 Doman D23/280.1
D252,941 S * 9/1979 Fairchild D23/280.1
D412,973 S * 8/1999 Donnely D23/277

The broken line showing the remainder of the bathtub is for illustrative purposes only and forms no part of the claimed design.

1 Claim, 9 Drawing Sheets



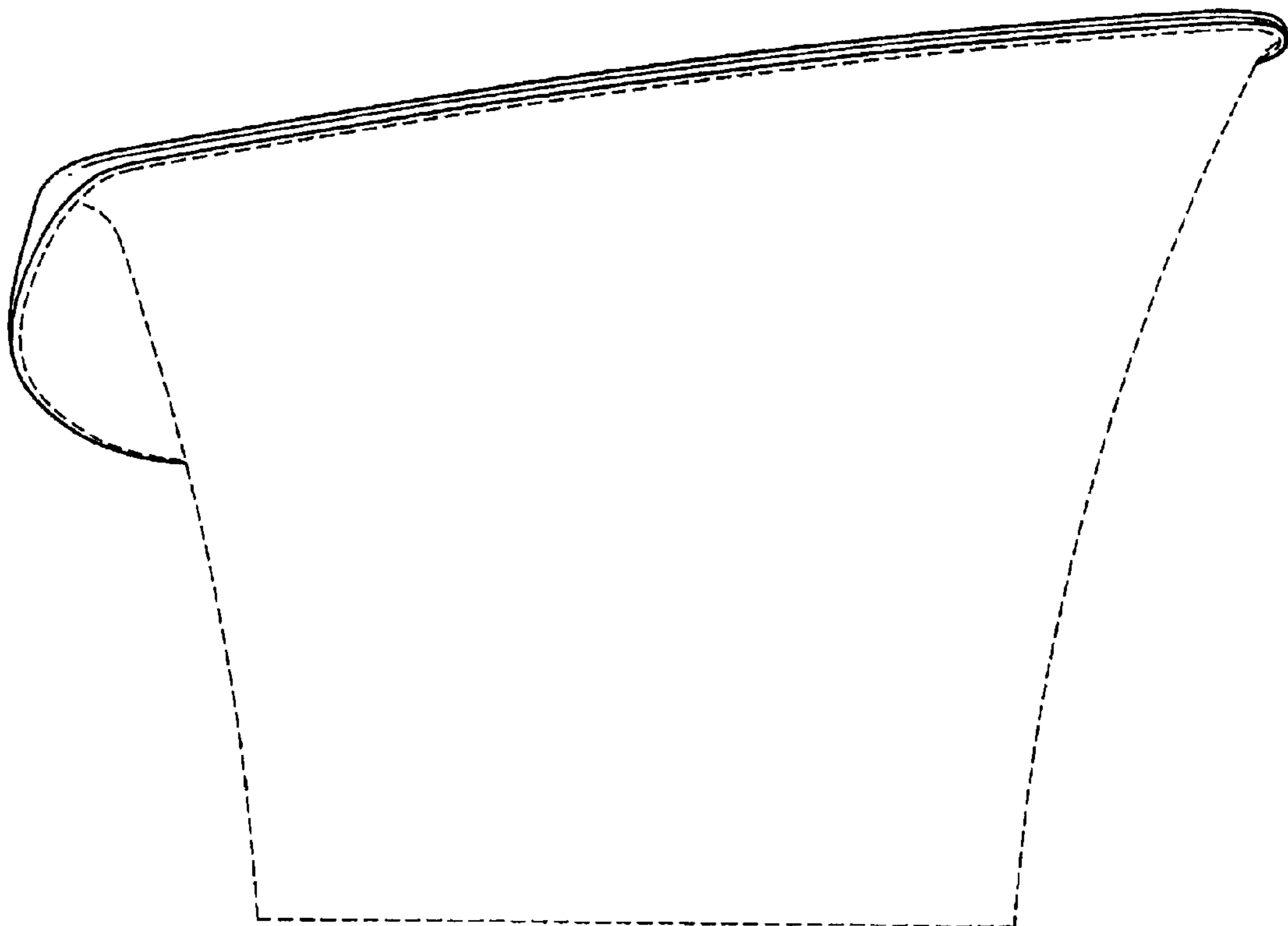


FIG. 1

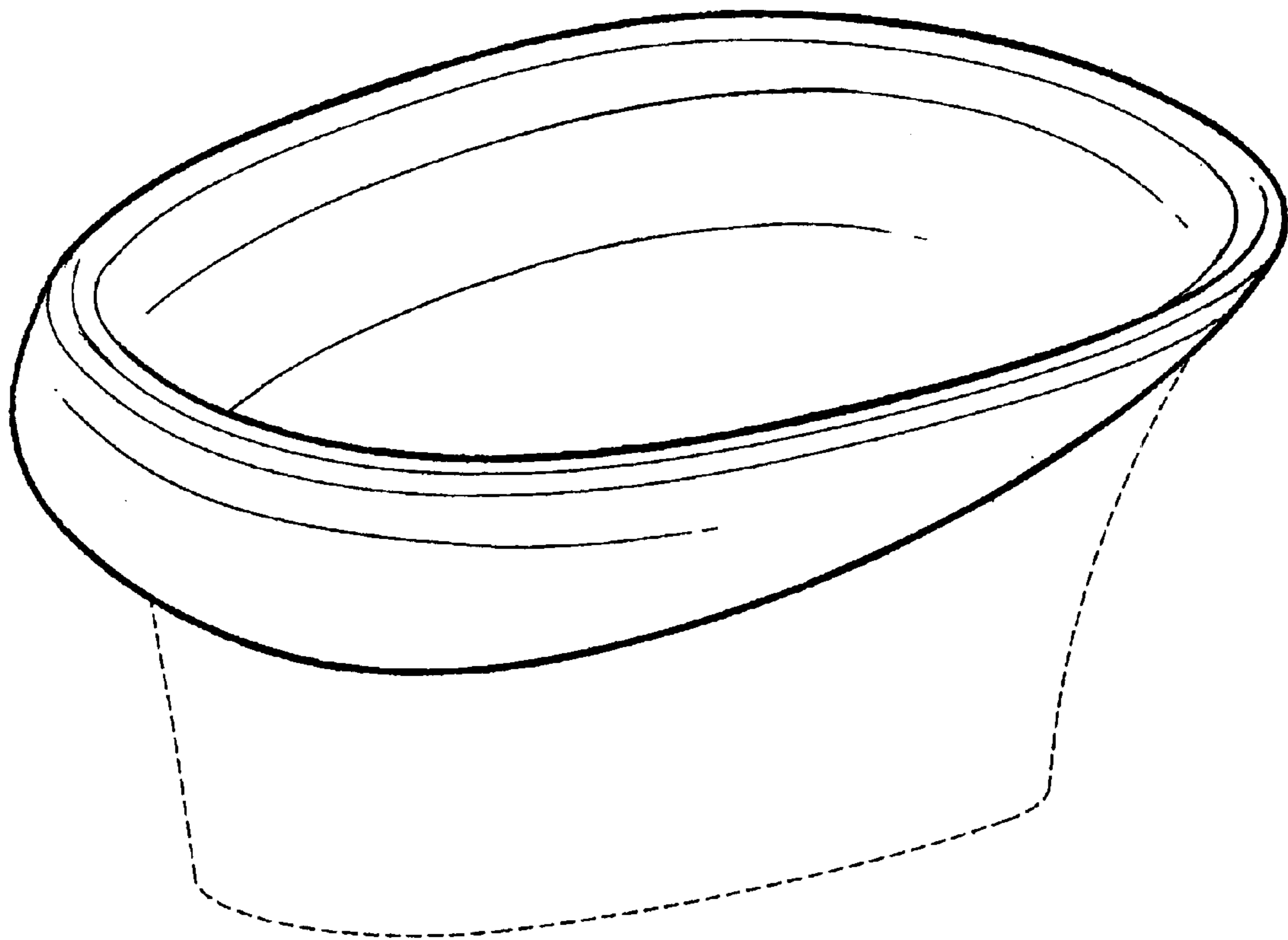


FIG.2

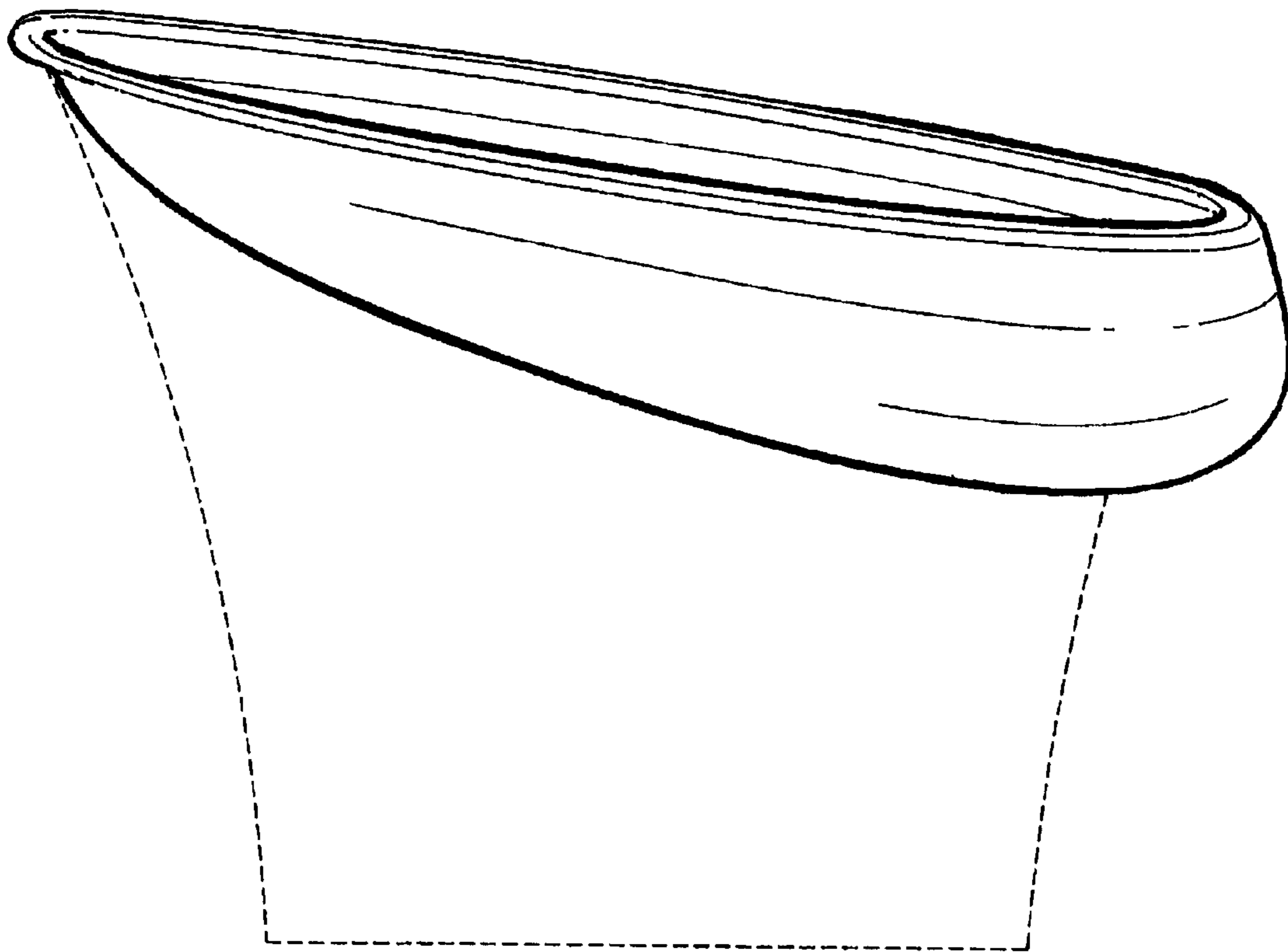


FIG.3

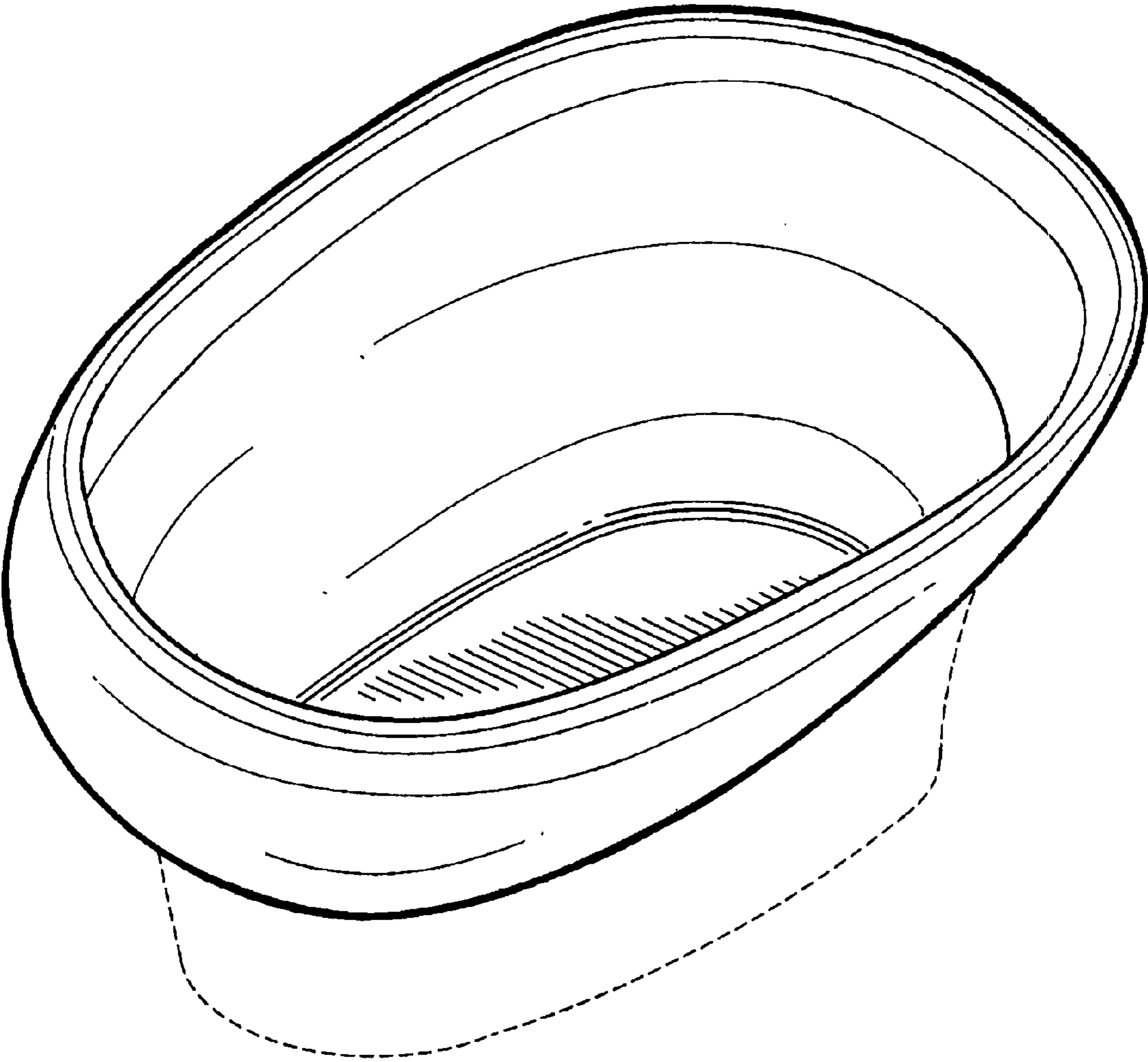


FIG.4

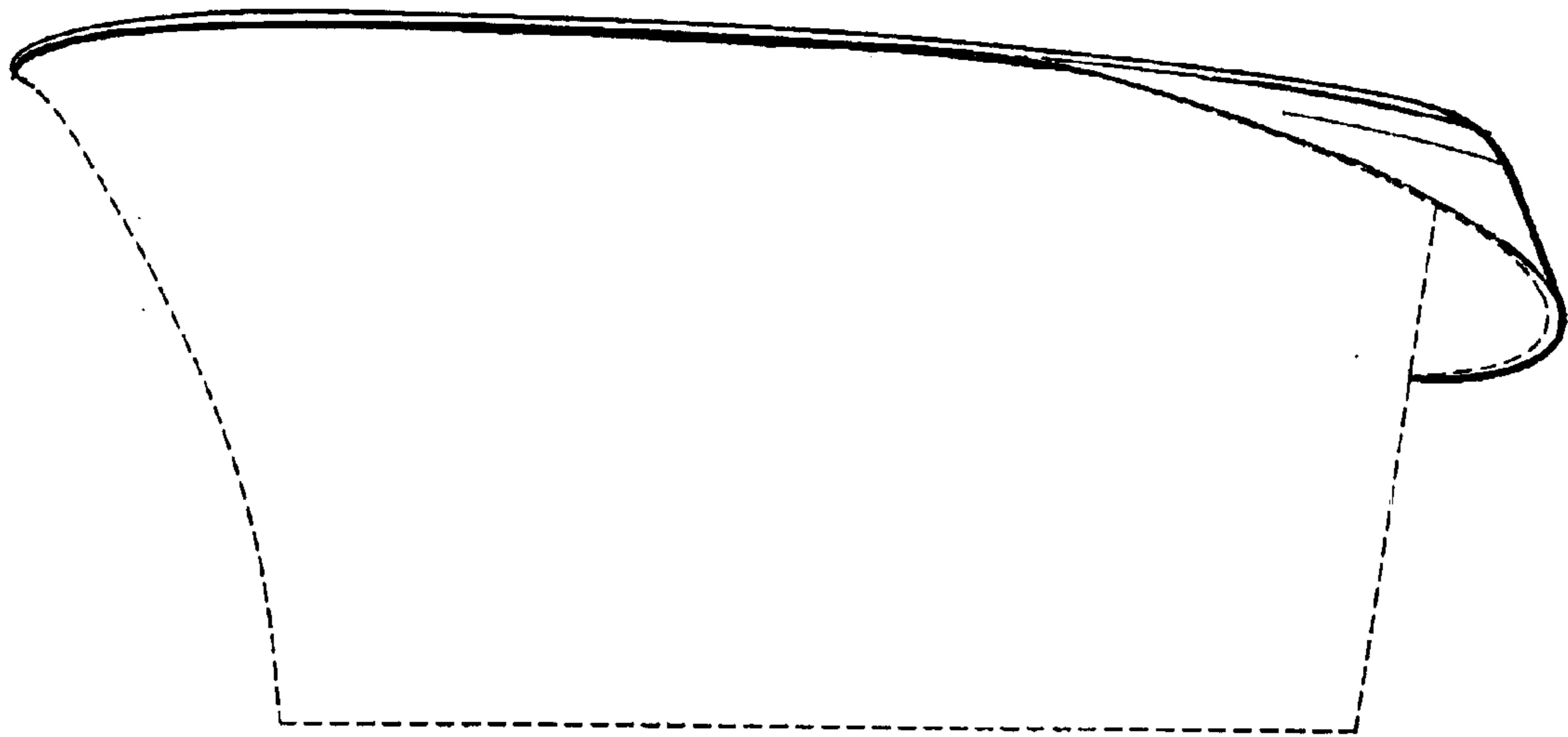


FIG. 5

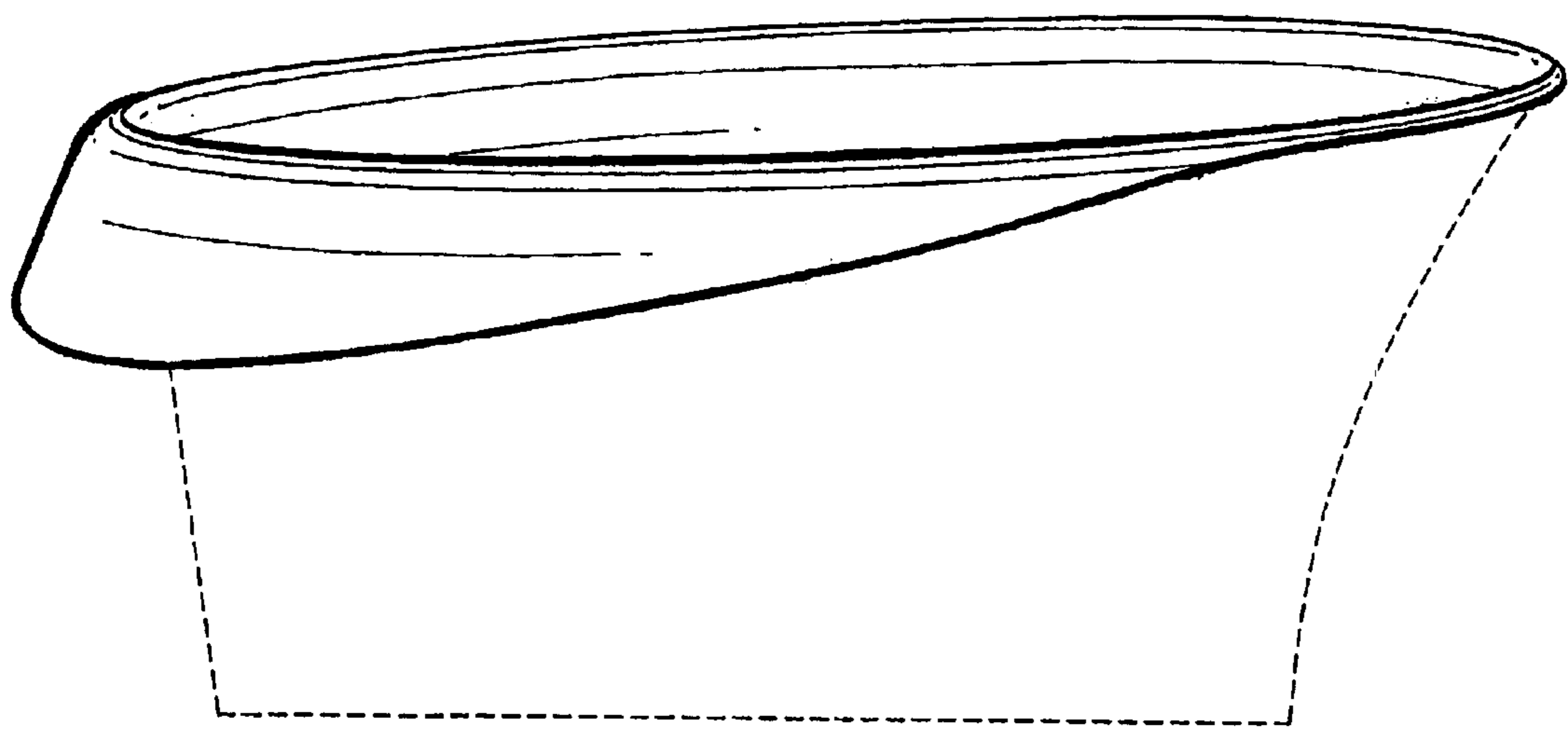


FIG.6

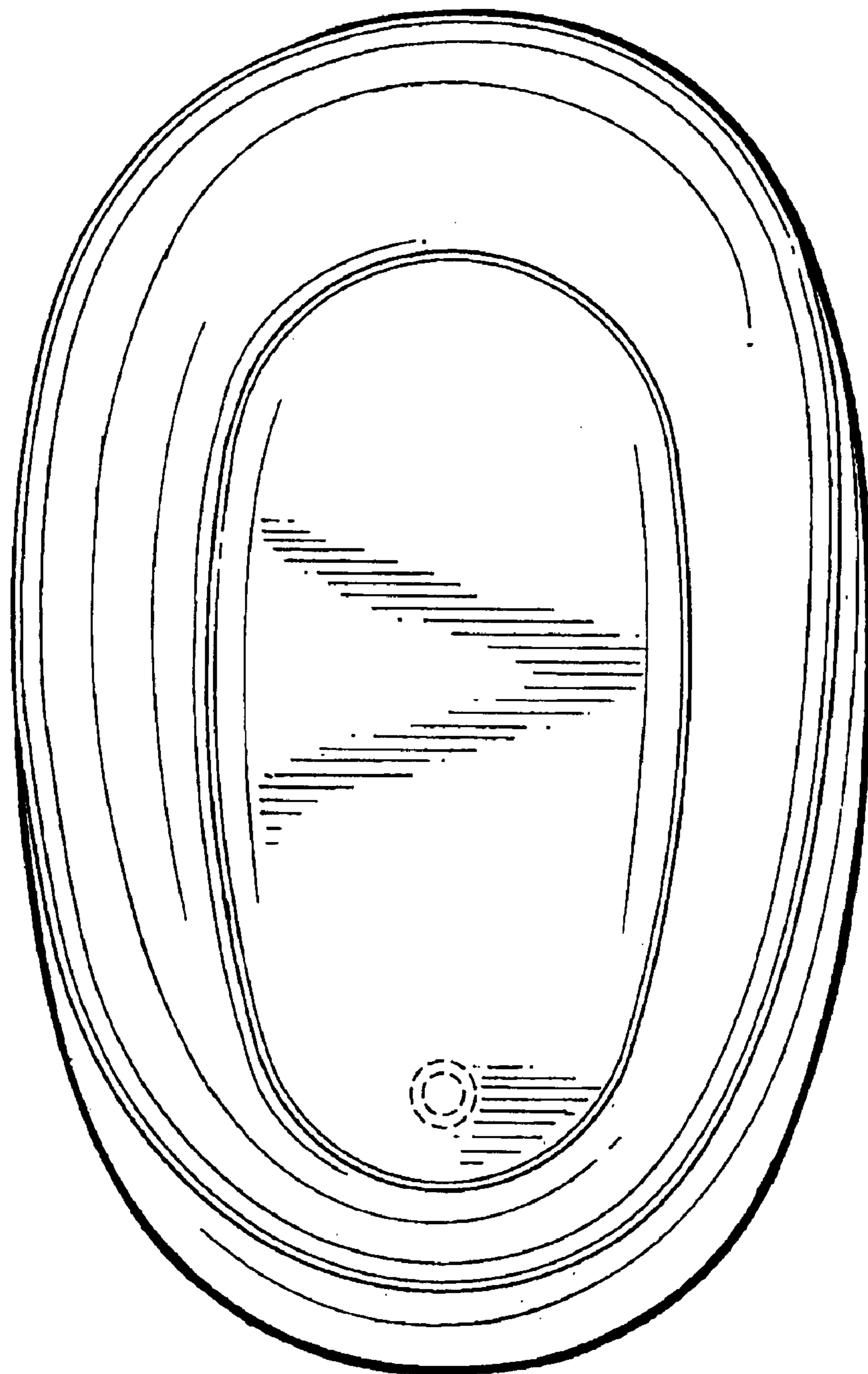


FIG. 7

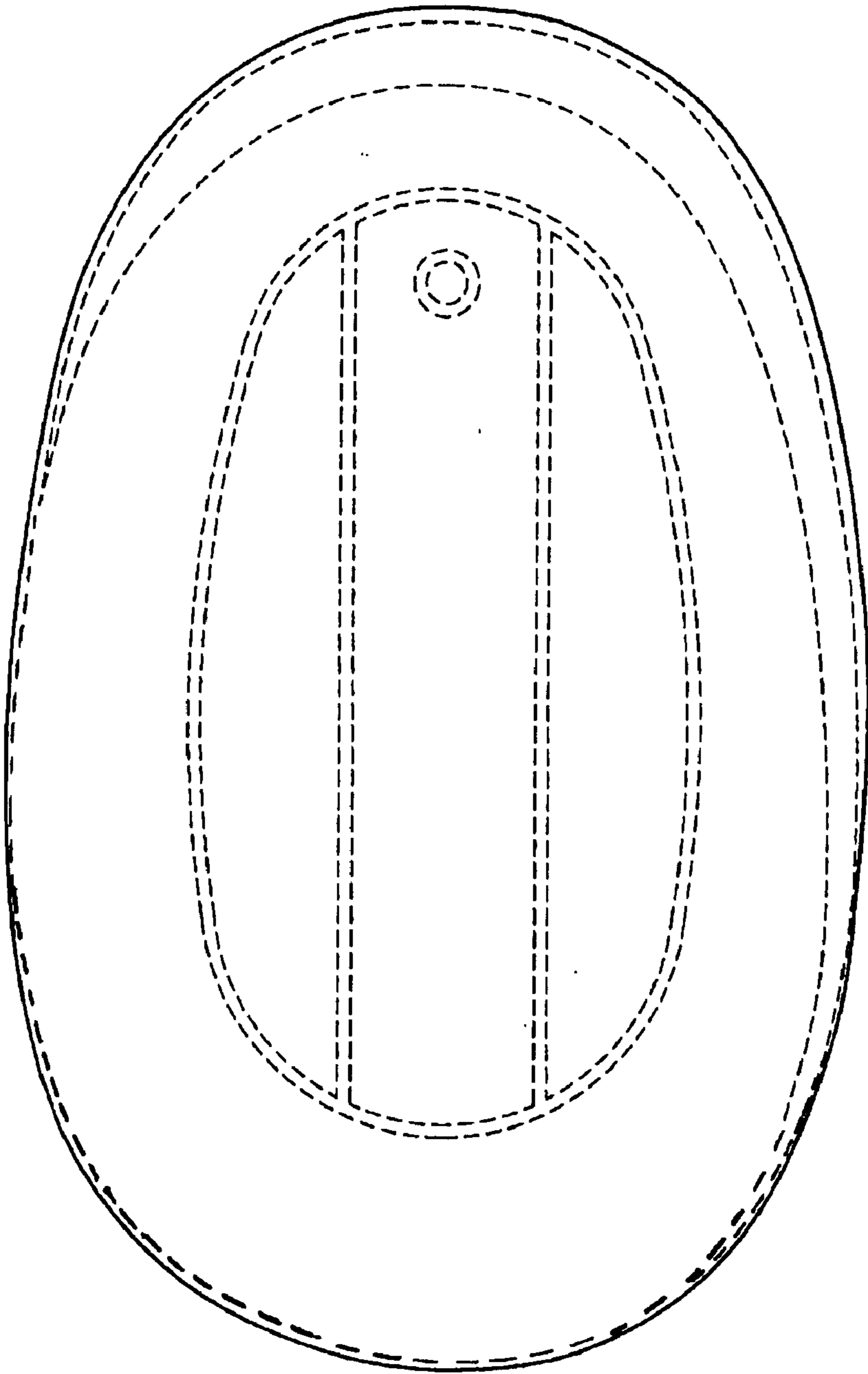


FIG.8

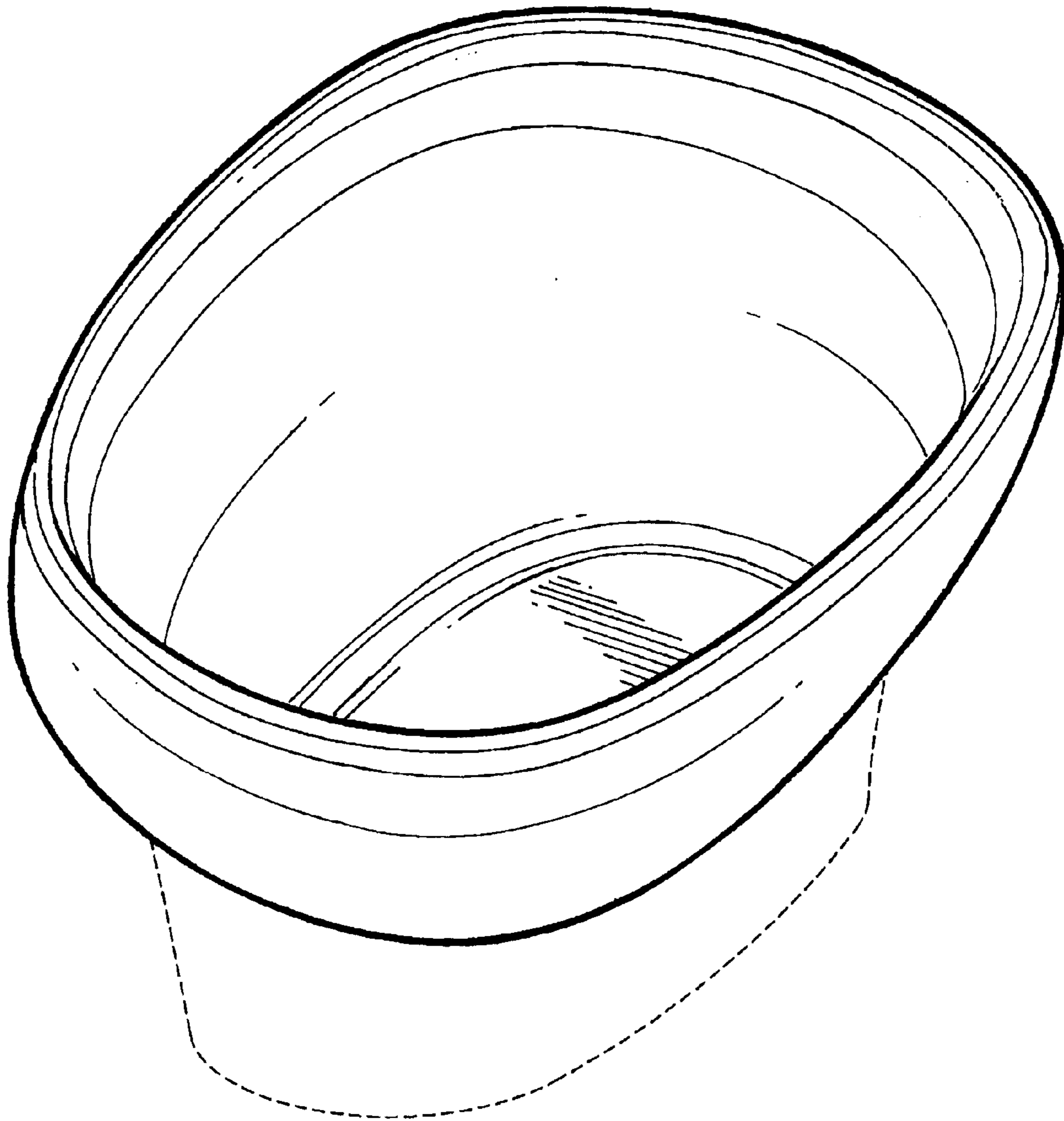


FIG.9