



US00D540438S

(12) **United States Design Patent**
Nattrass

(10) **Patent No.:** **US D540,438 S**

(45) **Date of Patent:** **** Apr. 10, 2007**

(54) **DRAINAGE CHANNEL**

(76) Inventor: **Nigel Nattrass**, c/o Rein Pty, Ltd., 14B
Williamson Road, Ingleburn NSW 2565
(AU)

(**) Term: **14 Years**

(21) Appl. No.: **29/222,200**

(22) Filed: **Jan. 27, 2005**

(51) **LOC (8) Cl.** **23-01**

(52) **U.S. Cl.** **D23/267**

(58) **Field of Classification Search** D23/267;
404/4, 5, 2; 405/118; 248/48.1; 52/12, 16
See application file for complete search history.

(56) **References Cited**

U.S. PATENT DOCUMENTS

D326,140 S	*	5/1992	Dekel	D23/267
D377,389 S	*	1/1997	Phillips et al.	D23/261
5,718,537 A	*	2/1998	Becker et al.	405/119
5,735,638 A	*	4/1998	Beamer	405/119

* cited by examiner

Primary Examiner—Robin Webster

(74) *Attorney, Agent, or Firm*—Stites & Harbison PLLC;
Ross F. Hunt, Jr.

(57) **CLAIM**

The ornamental design for a drainage channel, as shown and described.

DESCRIPTION

FIG. 1 is front elevation view of a drainage channel according to the present invention, the back view being a mirror image thereof.

FIG. 2 is a top plan view of the drainage channel depicted in FIG. 1.

FIG. 3 is a bottom plan view of the drainage channel depicted in FIG. 1.

FIG. 4 is an enlarged right side view of the drainage channel depicted in FIG. 1.

FIG. 5 is an enlarged left side view of the drainage channel depicted in FIG. 1.

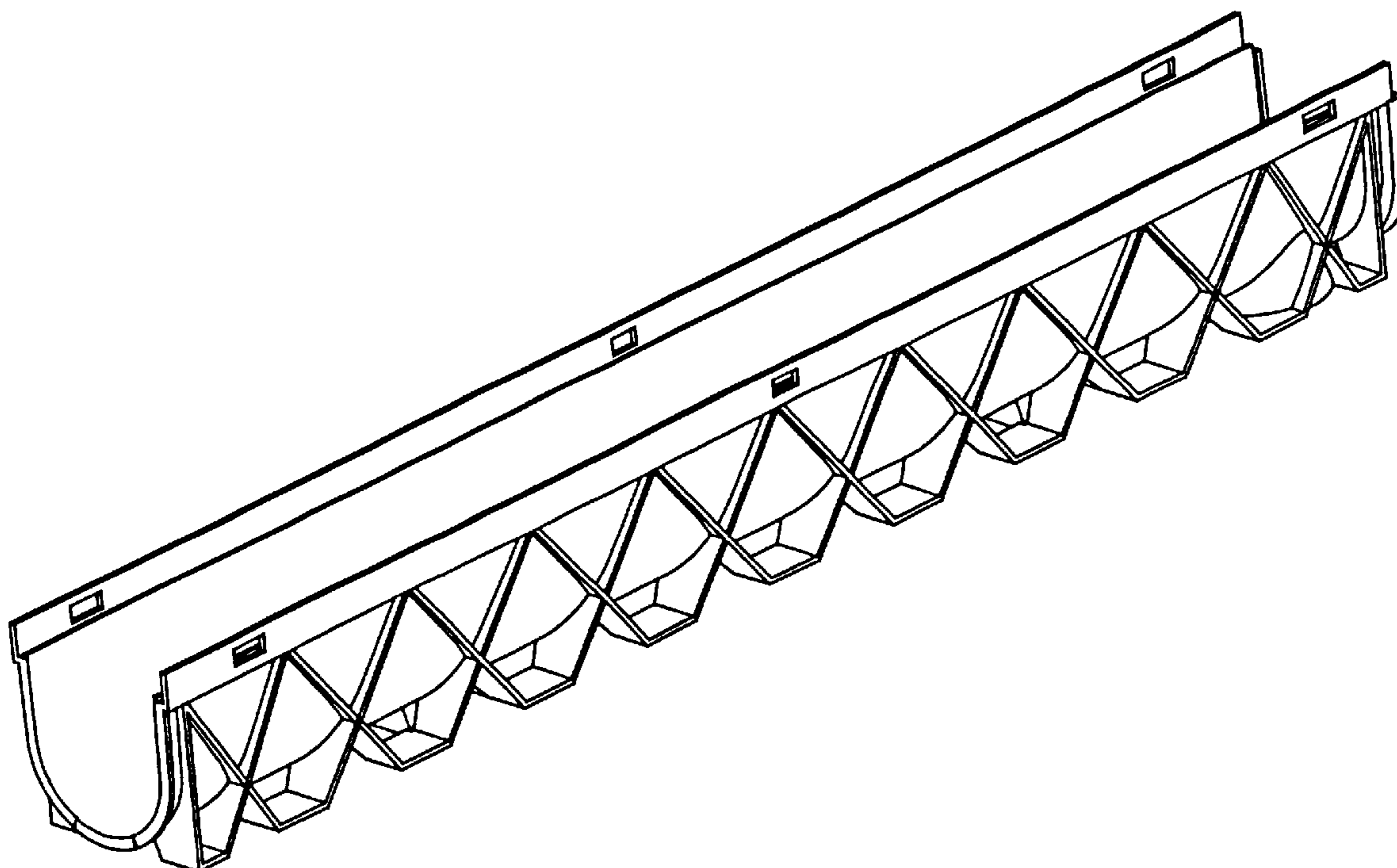
FIG. 6 is an enlarged perspective front, bottom and right side view of the drainage channel depicted in FIG. 1.

FIG. 7 is an enlarged perspective front, top and left side view of the drainage channel depicted in FIG. 1.

FIG. 8 is a further enlarged partial perspective front, bottom and right side view of the drainage channel depicted in FIG. 1; and,

FIG. 9 is a further enlarged partial perspective back, bottom and left side view of the drainage channel depicted in FIG. 1.

1 Claim, 9 Drawing Sheets



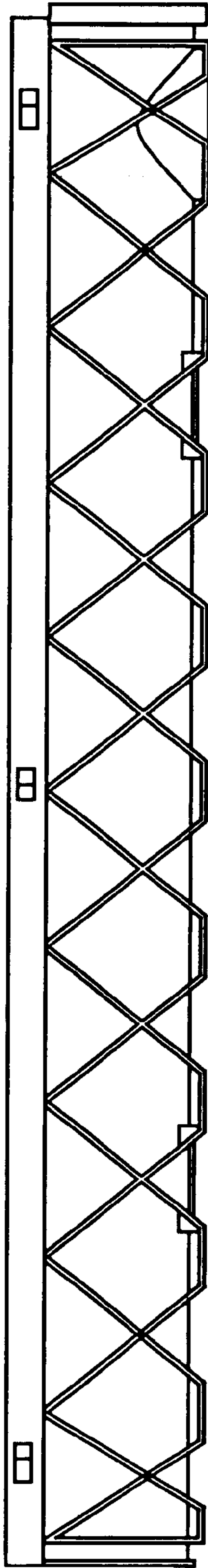


FIG. 1

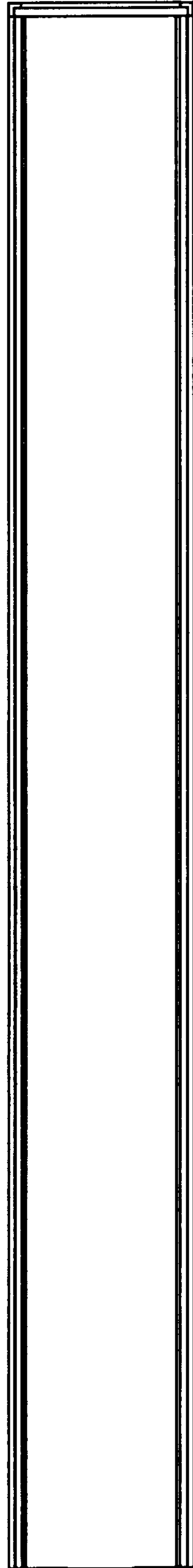


FIG. 2

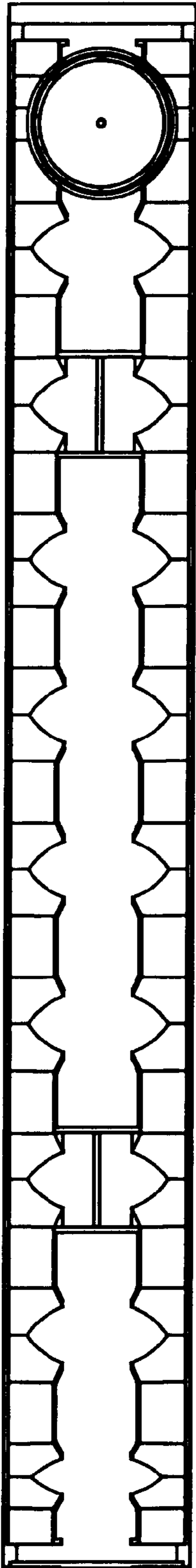


FIG. 3

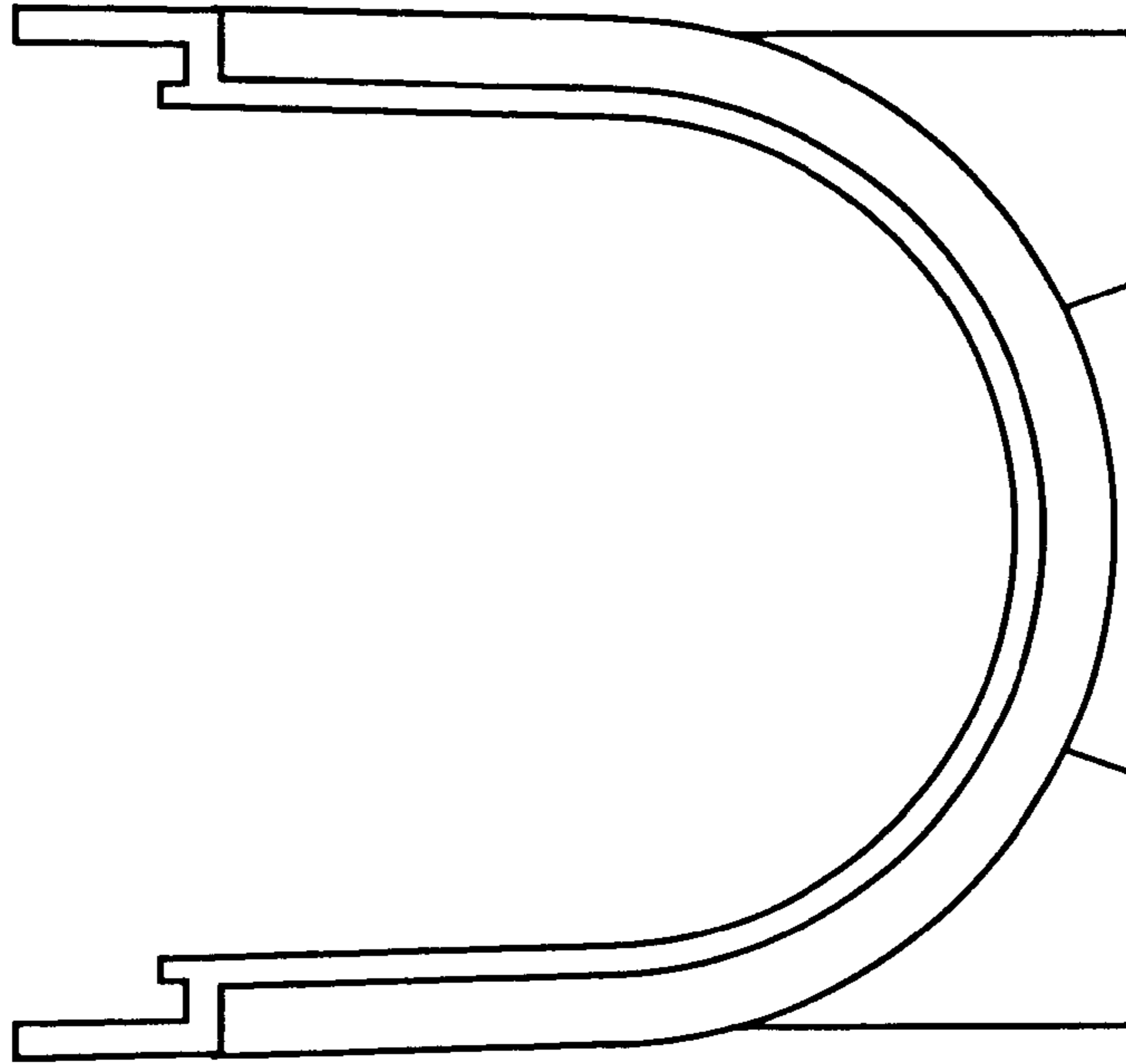


FIG. 4

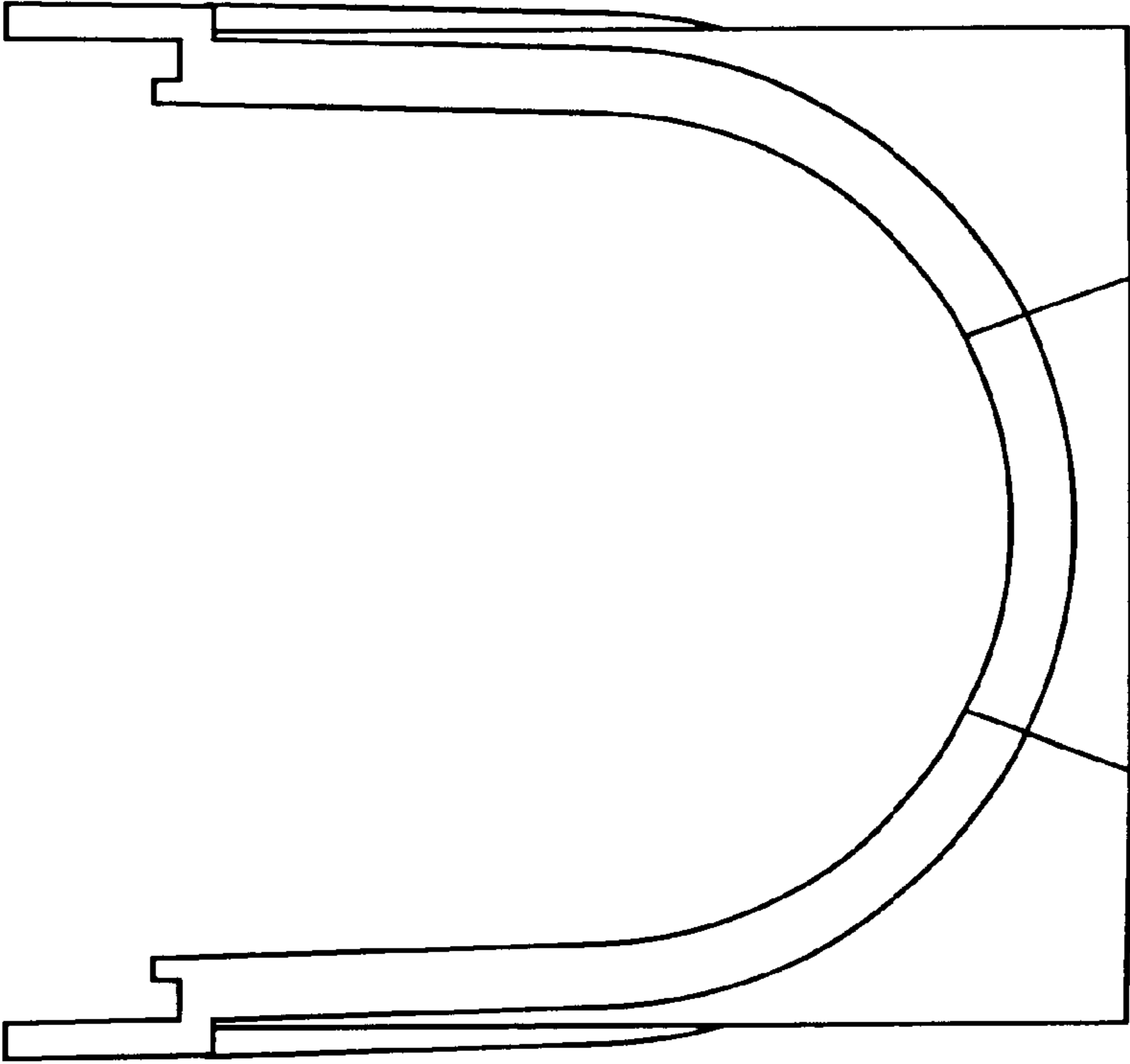


FIG. 5

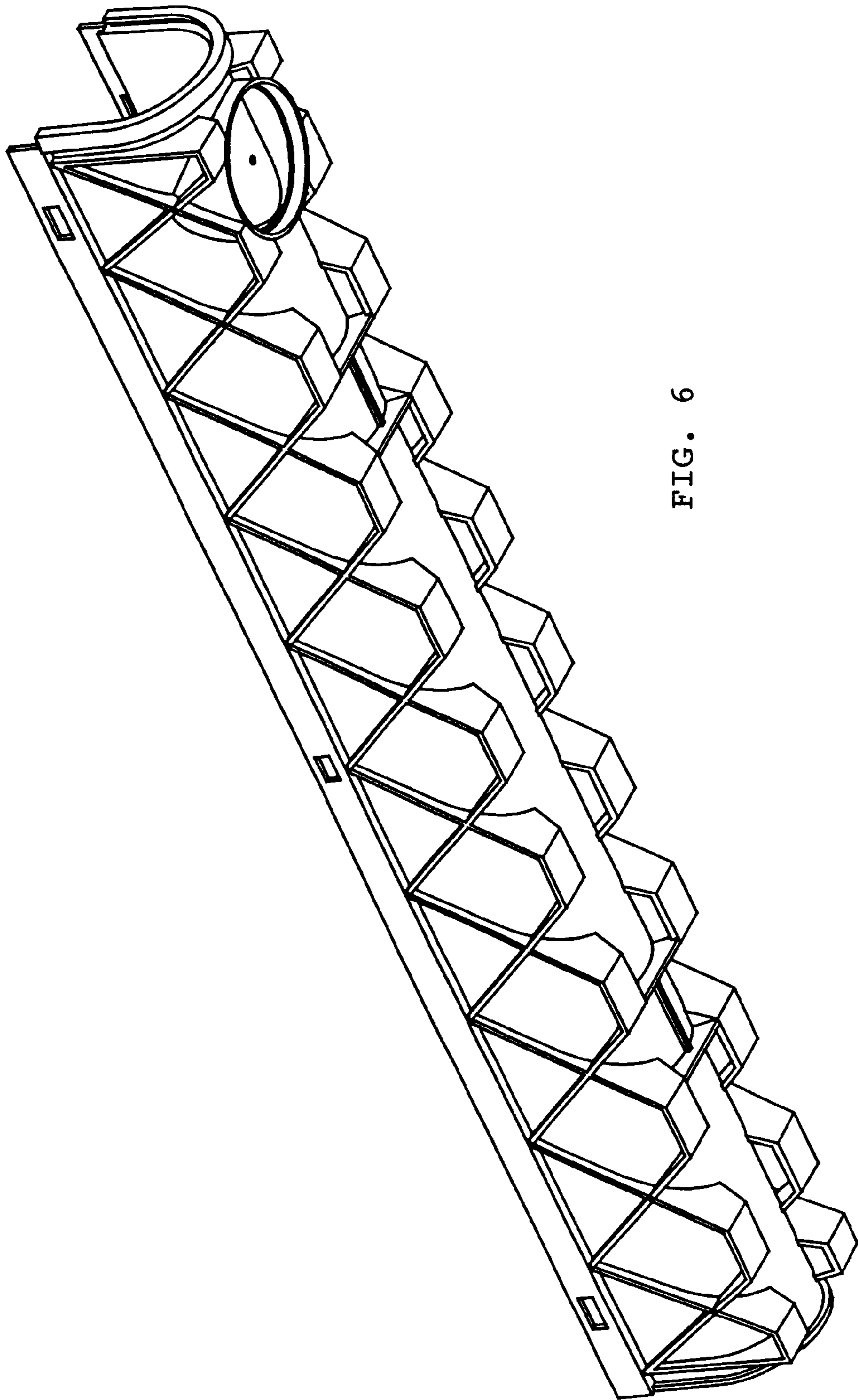


FIG. 6

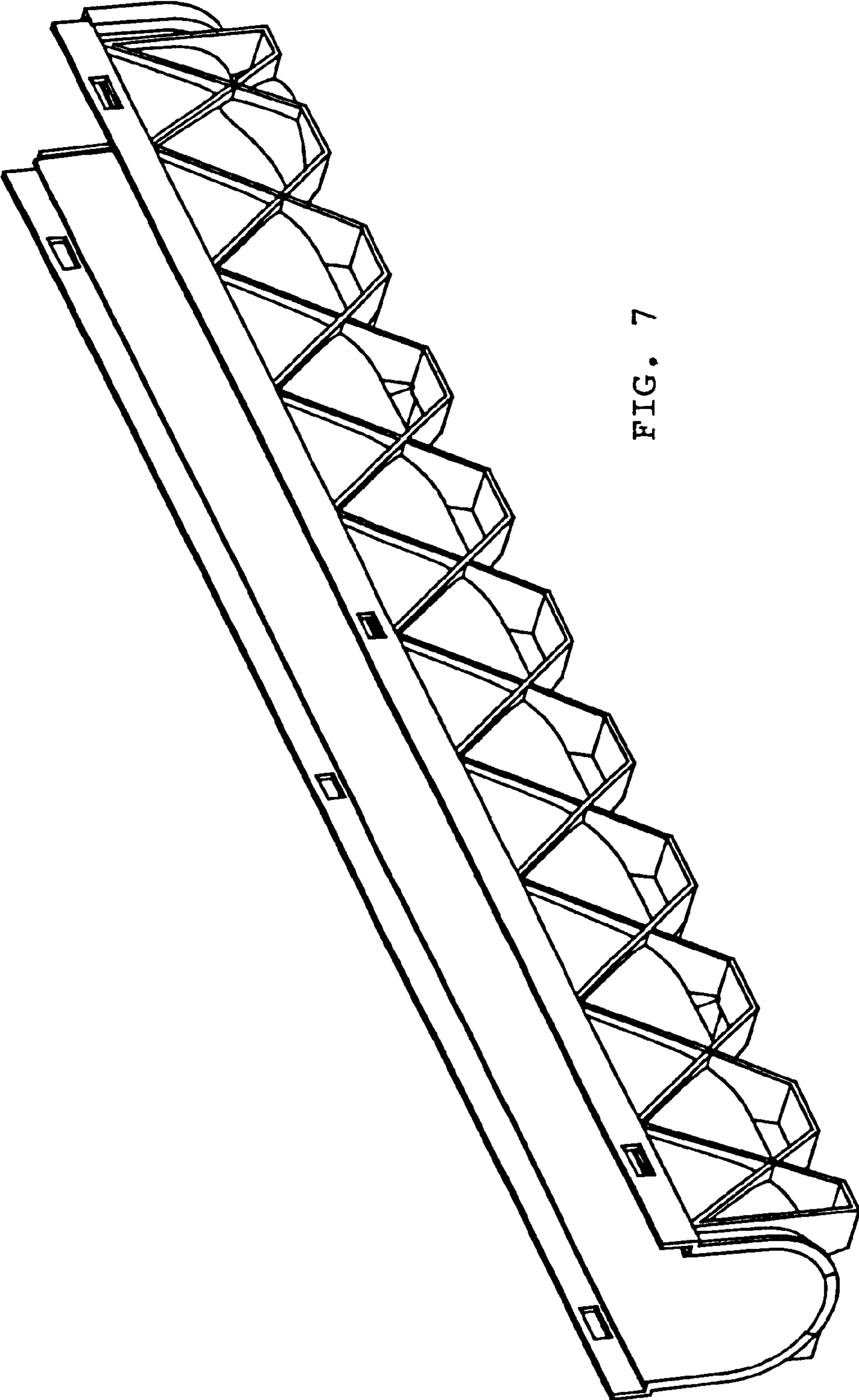


FIG. 7

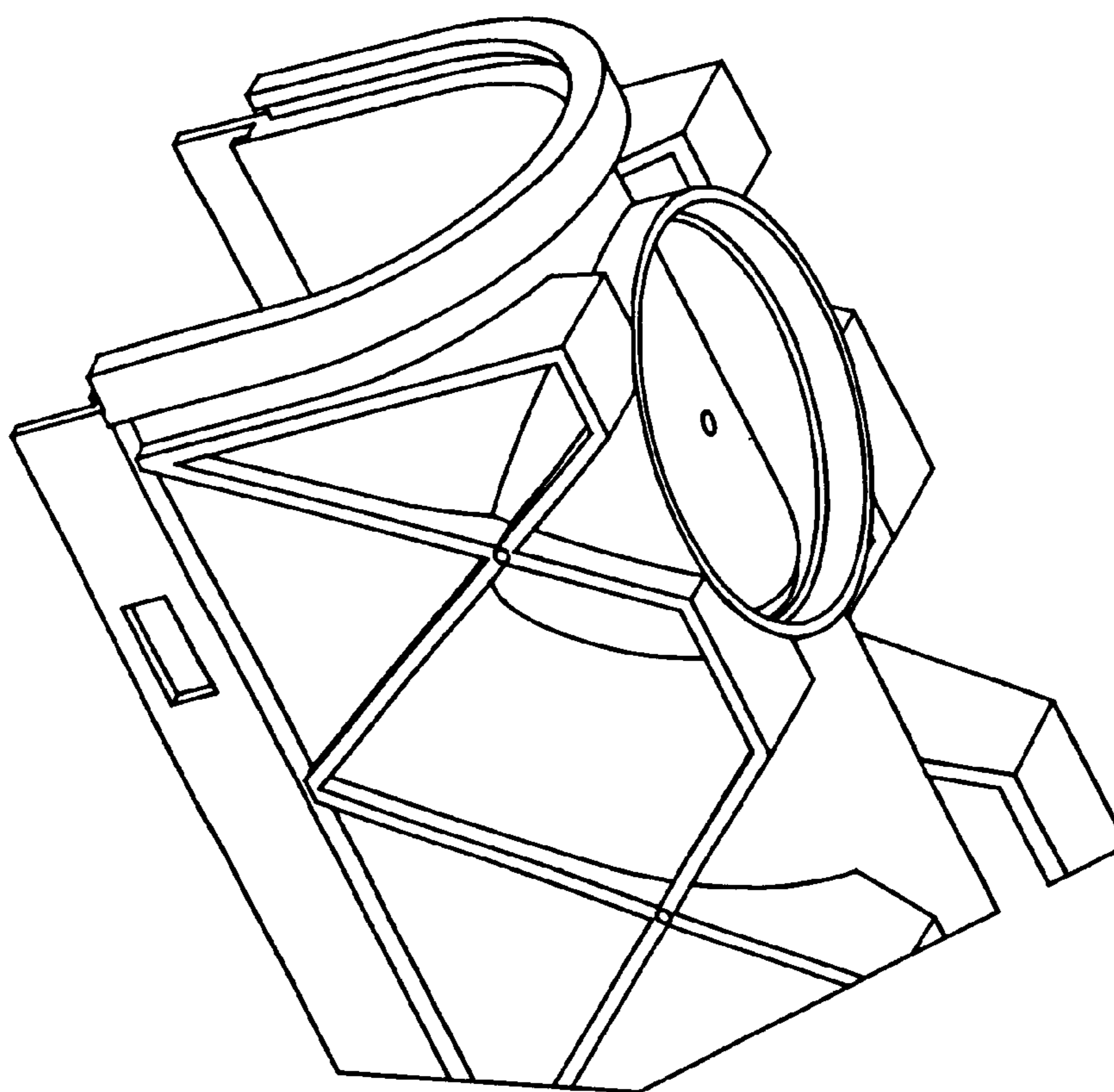


FIG. 8

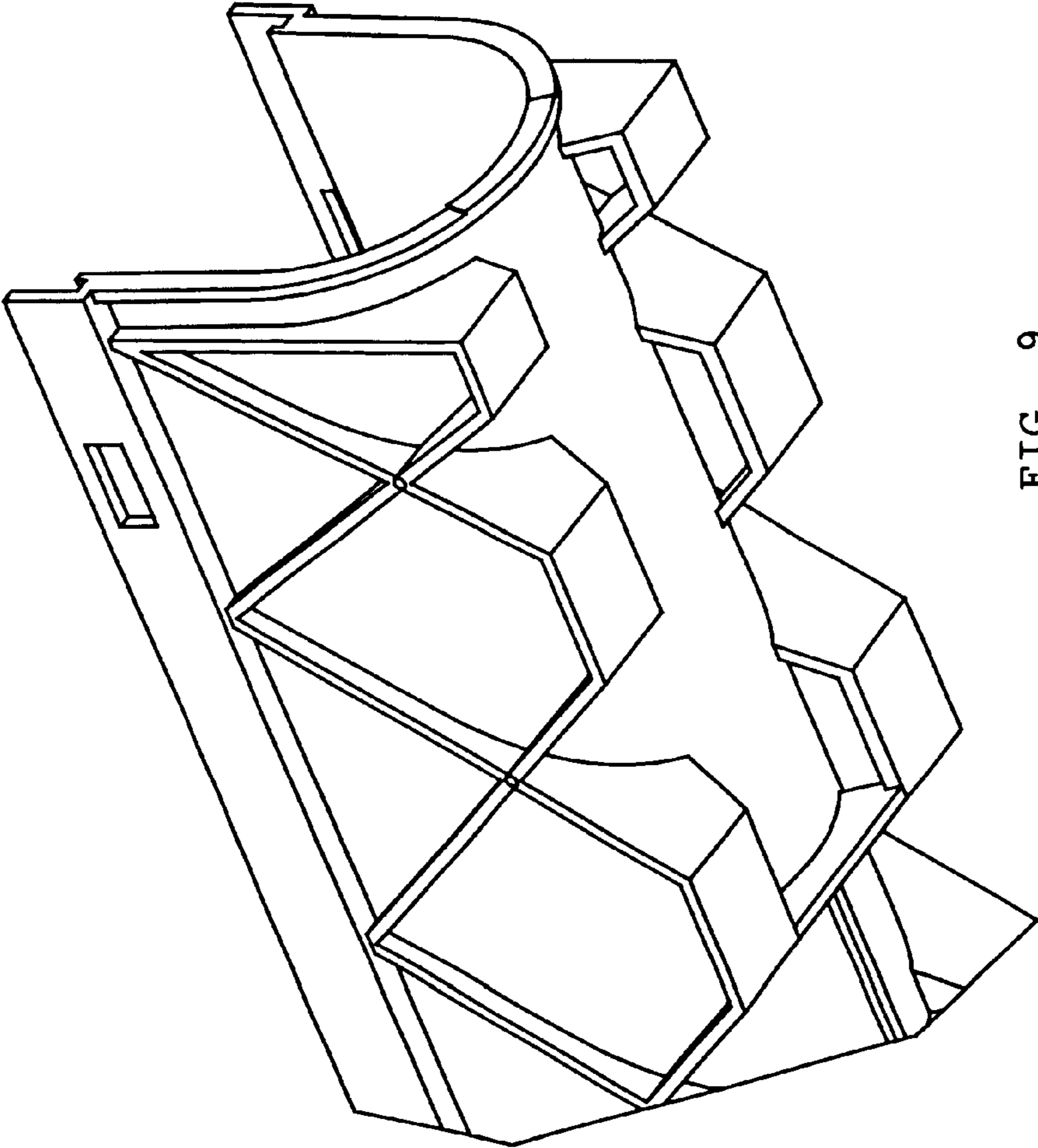


FIG. 9