

US00D540437S

(12) **United States Design Patent**  
**Huang**

(10) **Patent No.:** **US D540,437 S**

(45) **Date of Patent:** **\*\* Apr. 10, 2007**

(54) **HANDLE**

(75) Inventor: **Chia-Chi Huang**, Ziguan Shiang (TW)

(73) Assignee: **Taiwan Fu Hsing Industrial Co., Ltd.**,  
Kaohsiung County (TW)

(\*\*) Term: **14 Years**

(21) Appl. No.: **29/262,663**

(22) Filed: **Jul. 10, 2006**

(51) **LOC (8) Cl.** ..... **23-01**

(52) **U.S. Cl.** ..... **D23/252**

(58) **Field of Classification Search** ..... D23/238-257;  
D8/300-322, DIG. 3; 16/110.1; 4/675-678;  
137/801

See application file for complete search history.

(56) **References Cited**

**U.S. PATENT DOCUMENTS**

D459,792 S \* 7/2002 Lai ..... D23/252

D509,570 S \* 9/2005 Xiang et al. .... D23/252  
D509,883 S \* 9/2005 Xiang et al. .... D23/252

\* cited by examiner

*Primary Examiner*—Louis S. Zarfes

*Assistant Examiner*—Gregory Andoll

(74) *Attorney, Agent, or Firm*—Troxell Law Office PLLC

(57) **CLAIM**

The ornamental design for a handle, as shown and described.

**DESCRIPTION**

FIG. 1 is a perspective view of a handle showing my new design;

FIG. 2 is a top plan view thereof;

FIG. 3 is a bottom plan view thereof;

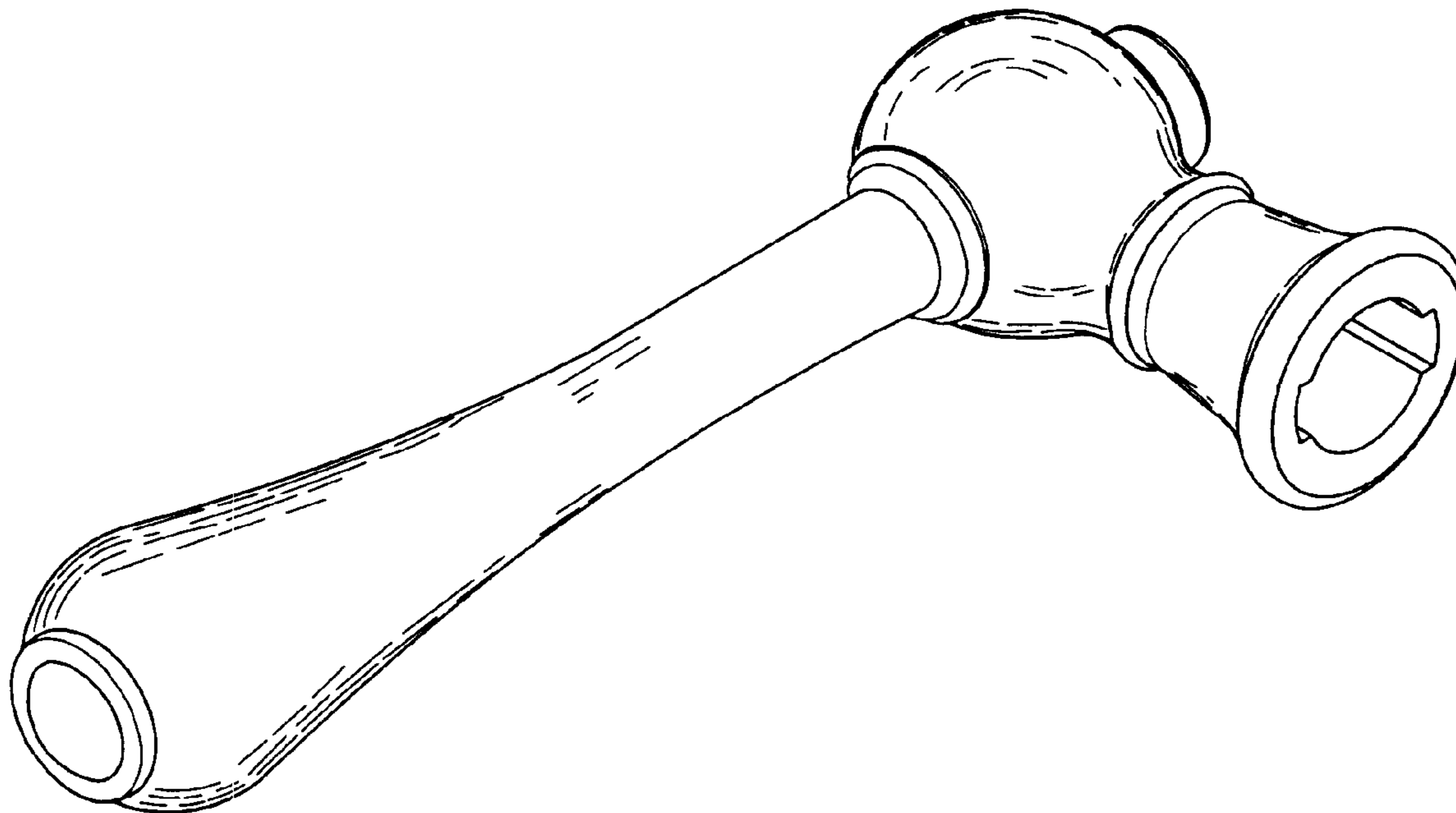
FIG. 4 is a right side elevational view thereof;

FIG. 5 is a left side elevational view thereof;

FIG. 6 is a front elevational view thereof; and,

FIG. 7 is a rear elevational view thereof.

**1 Claim, 5 Drawing Sheets**



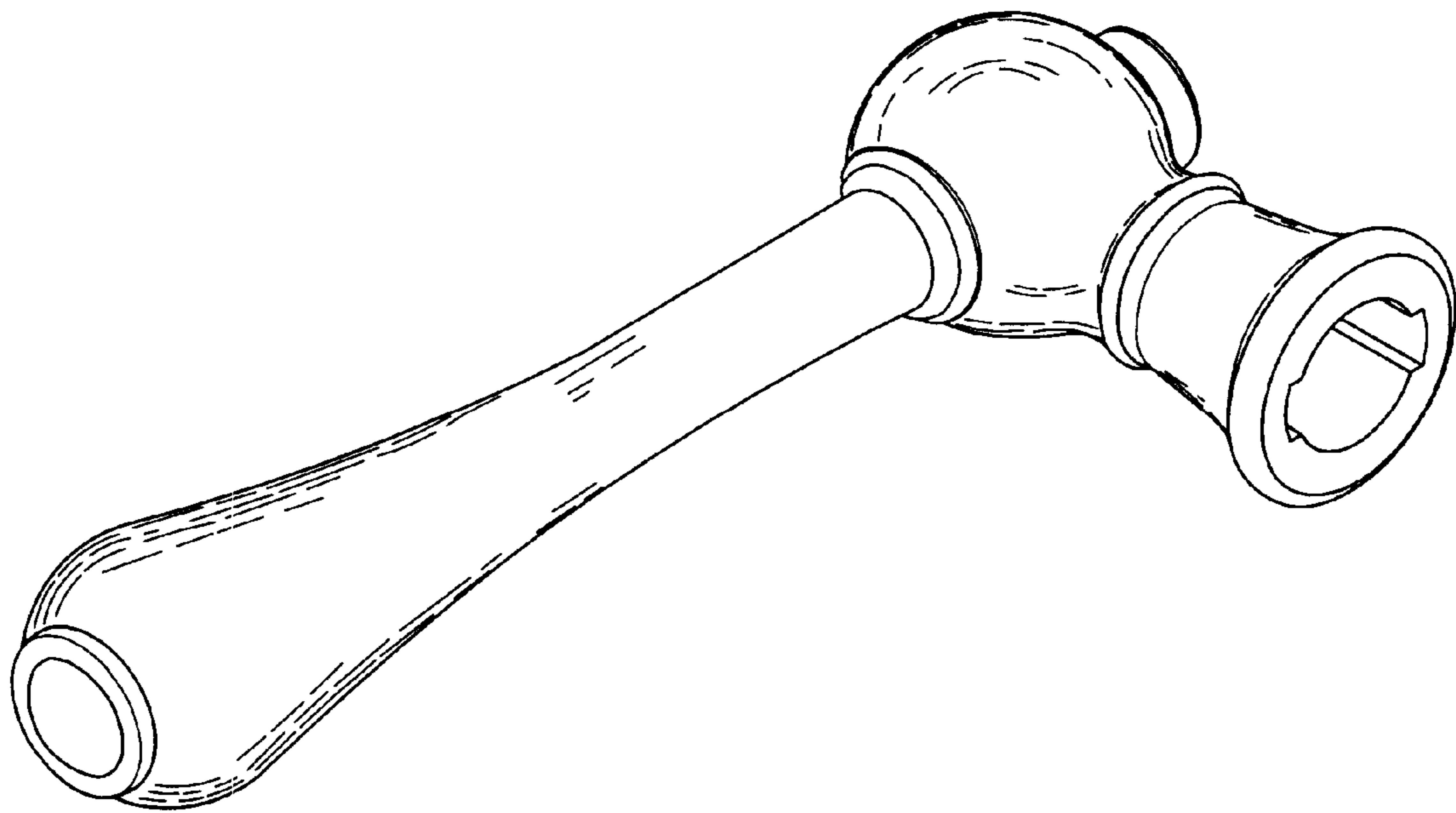


FIG. 1



FIG. 2

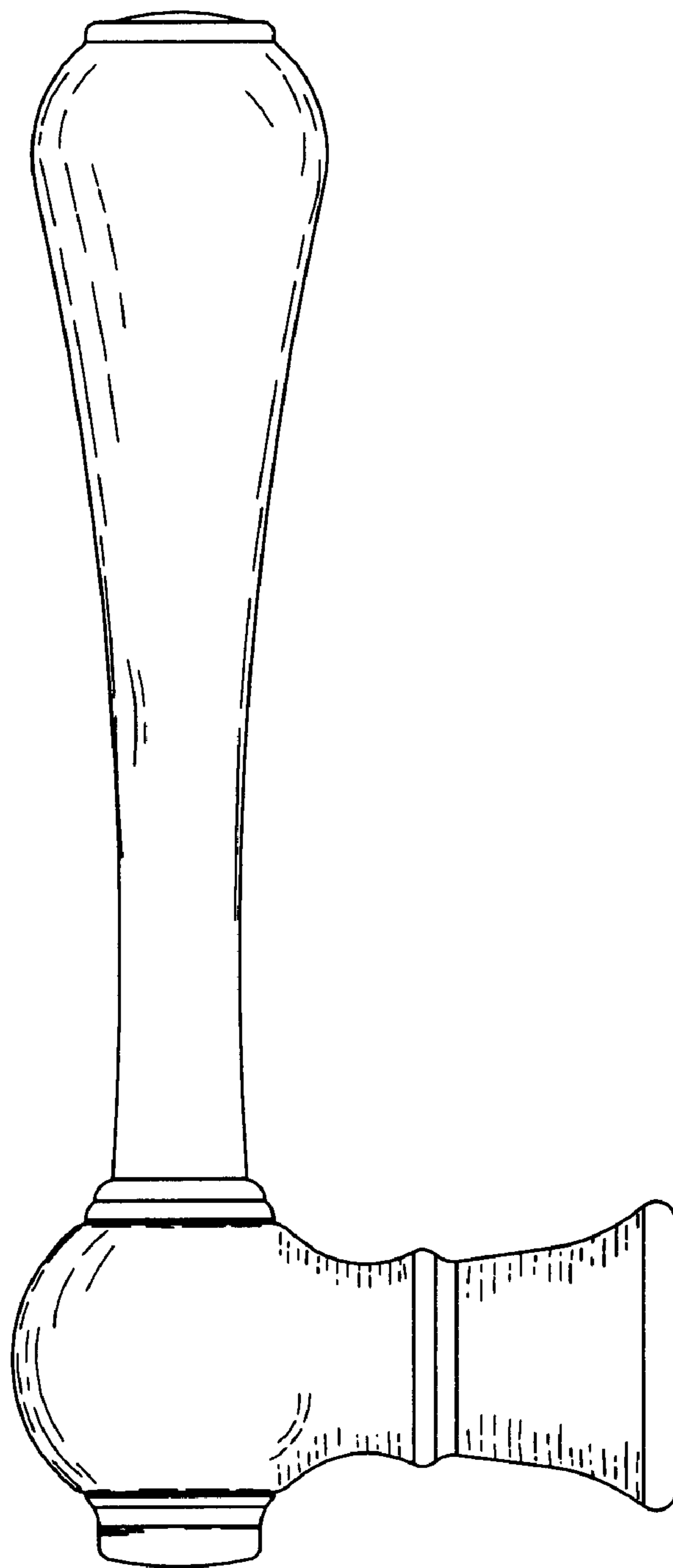


FIG. 3

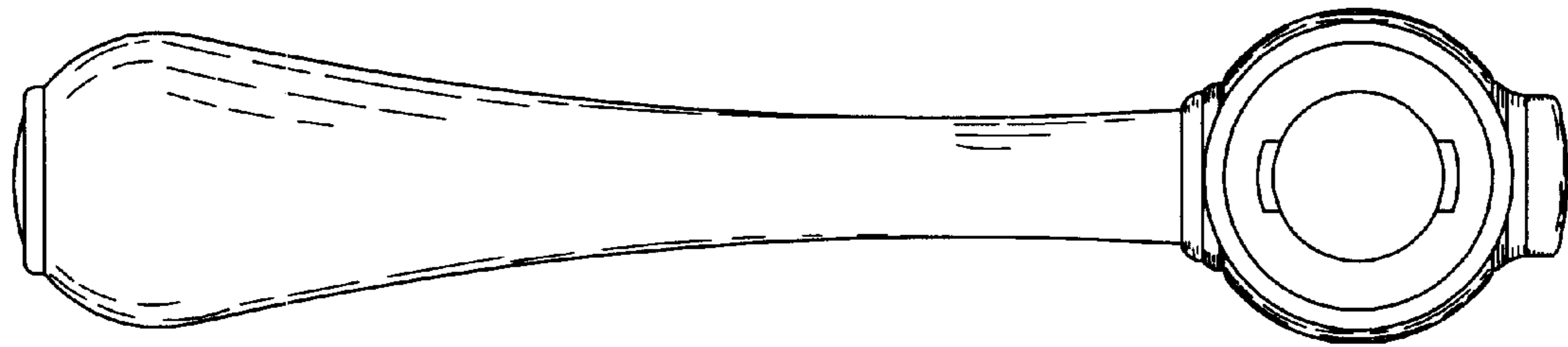


FIG. 4

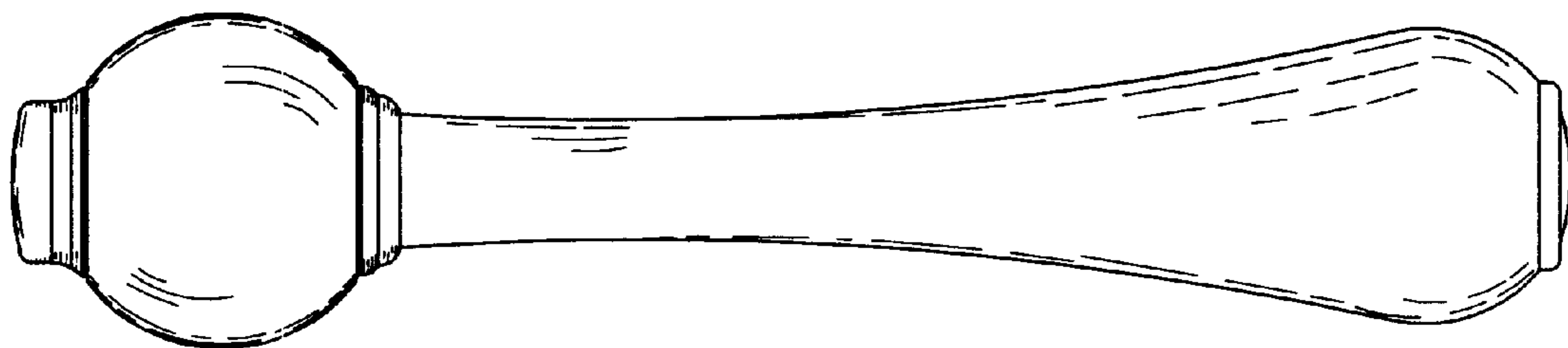


FIG. 5

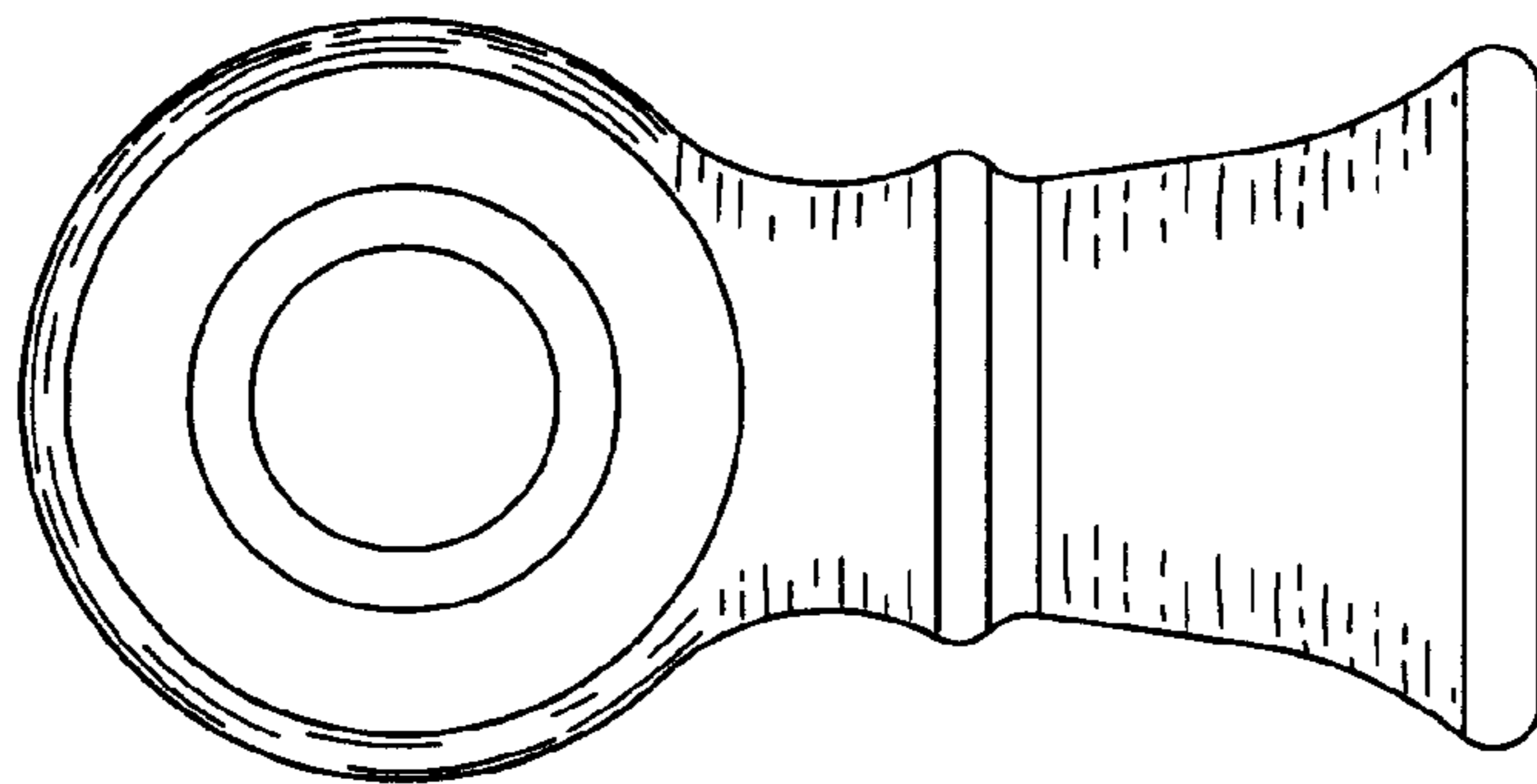


FIG. 6

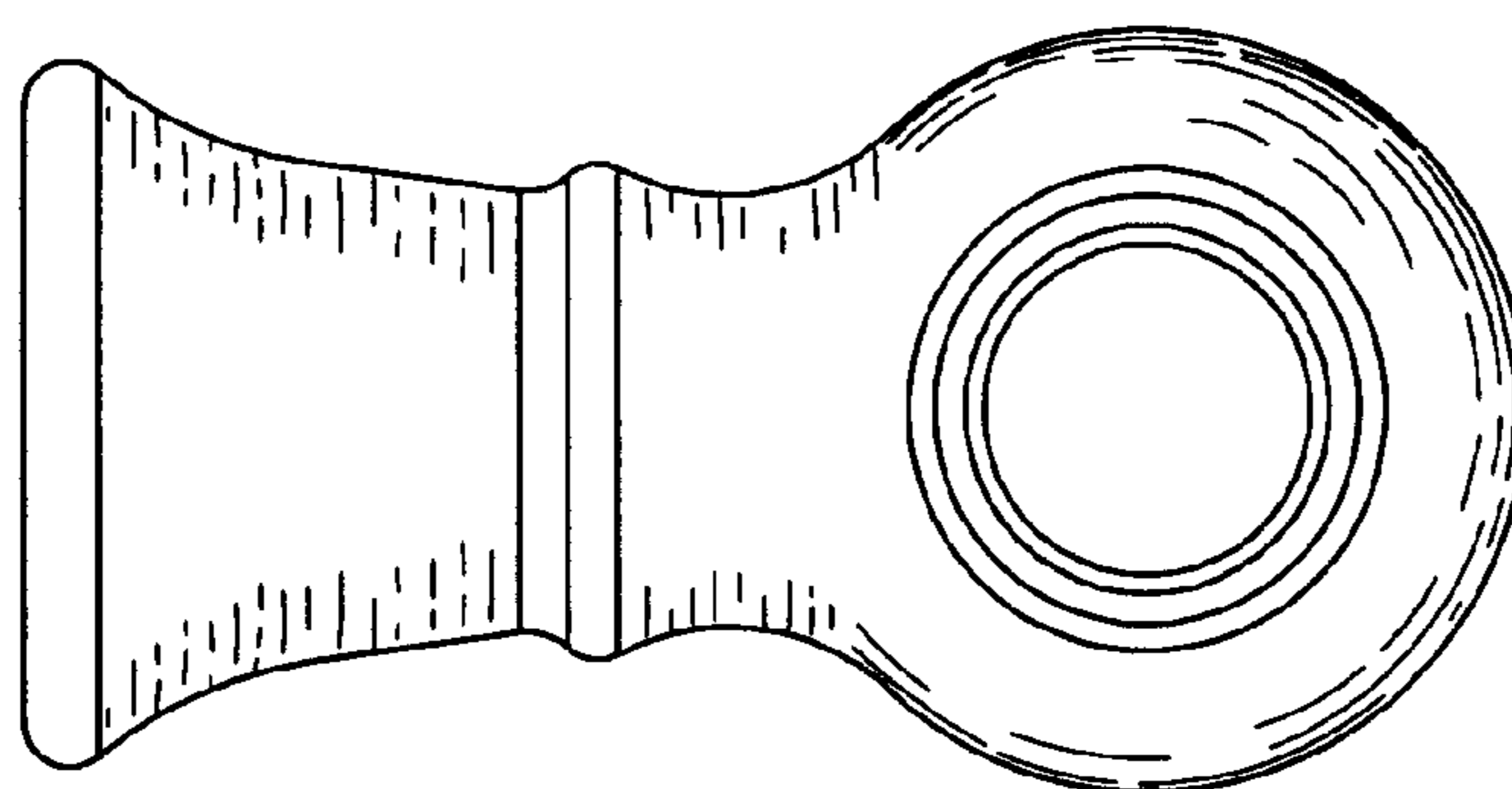


FIG. 7