

US00D540433S

(12) **United States Design Patent**  
**Dingler et al.**

(10) **Patent No.:** **US D540,433 S**

(45) **Date of Patent:** **\*\* Apr. 10, 2007**

(54) **SHOWERHEAD**

(75) Inventors: **Noah Dingler**, Waterford, MI (US);  
**Dennis John Wrobleski**, Farmington  
Hills, MI (US); **Dominic Daunter**,  
Howell, MI (US)

(73) Assignee: **Alsons Corporation**, Hillsdale, MI  
(US)

(\*\*) Term: **14 Years**

(21) Appl. No.: **29/230,910**

(22) Filed: **May 27, 2005**

(51) **LOC (8) Cl.** ..... **23-01**

(52) **U.S. Cl.** ..... **D23/229**

(58) **Field of Classification Search** ..... D23/213,  
D23/223, 226, 229-230; 239/282-3  
See application file for complete search history.

(56) **References Cited**

**U.S. PATENT DOCUMENTS**

D443,025 S \* 5/2001 Kollmann et al. .... D23/229

D447,218 S \* 8/2001 Kollmann et al. .... D23/229  
D497,196 S \* 10/2004 Wu et al. .... D23/229  
D497,408 S \* 10/2004 Wu et al. .... D23/229  
D520,109 S \* 5/2006 Wu ..... D23/229

\* cited by examiner

*Primary Examiner*—Robin Webster

(74) *Attorney, Agent, or Firm*—Edgar A. Zarins; Lloyd D.  
Digan

(57) **CLAIM**

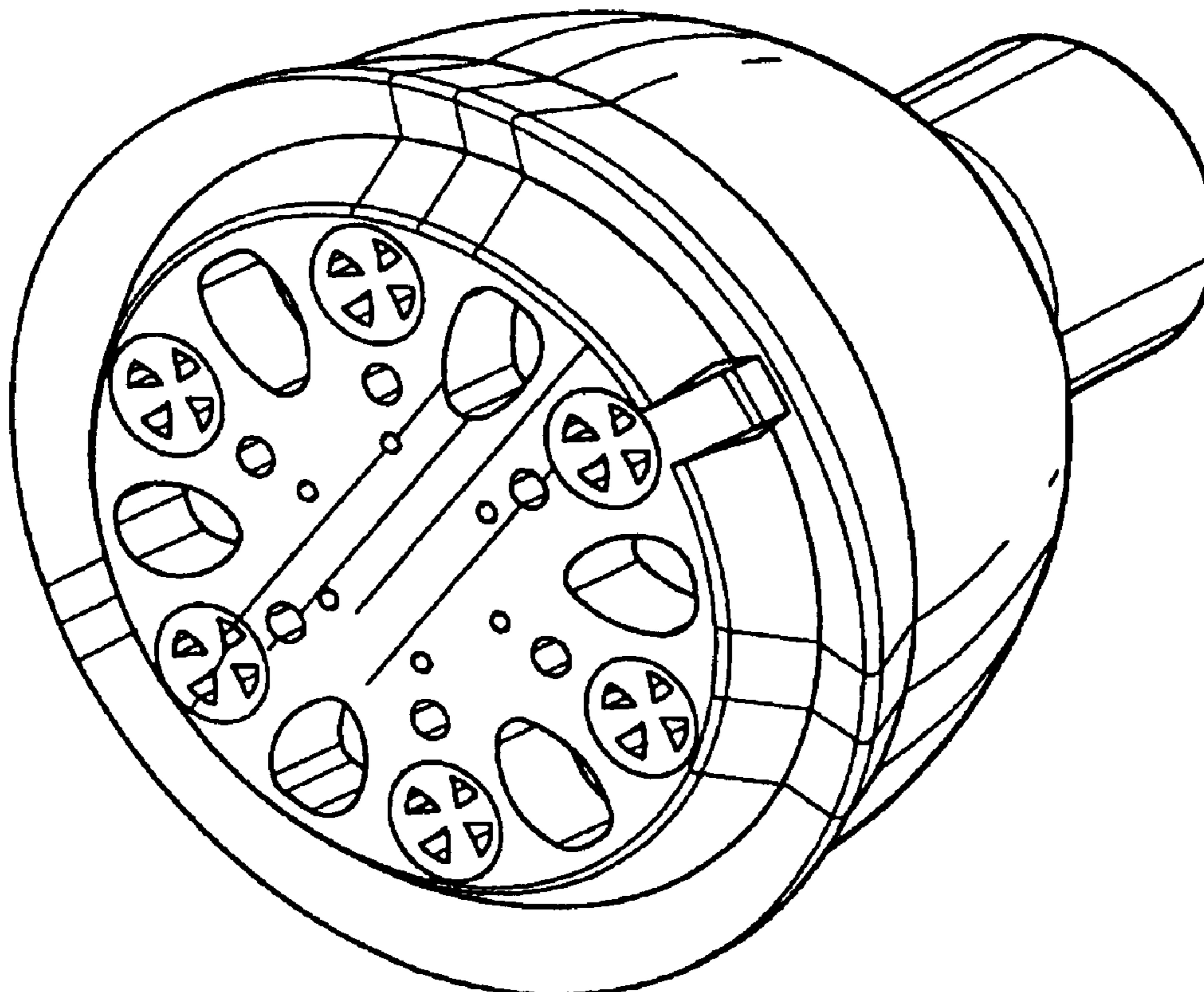
The ornamental design for a showerhead, as shown and  
described.

**DESCRIPTION**

FIG. 1 is a perspective view of a showerhead showing our  
new design; and,

FIG. 2 is a side view thereof.

**1 Claim, 1 Drawing Sheet**



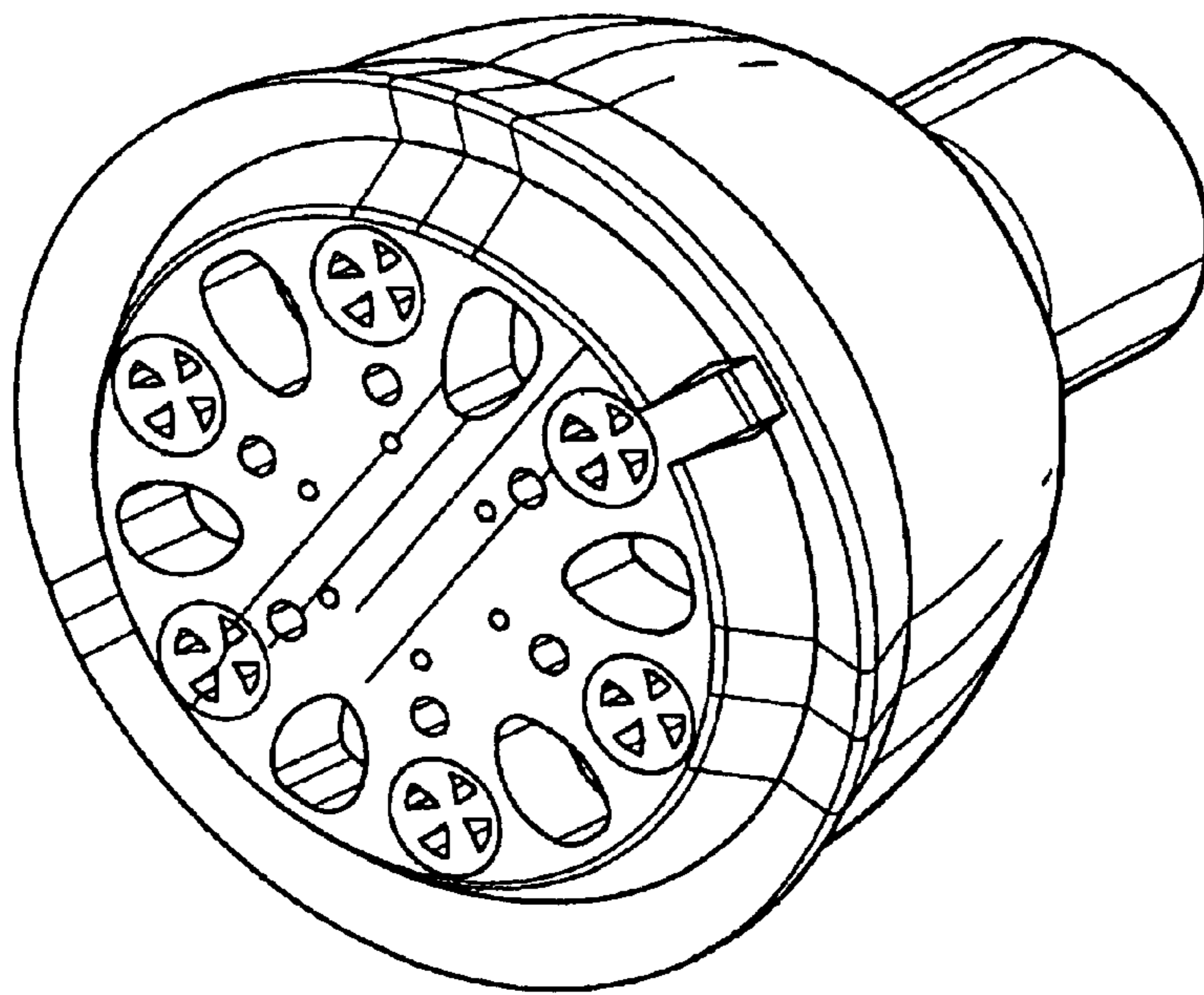


Fig-1

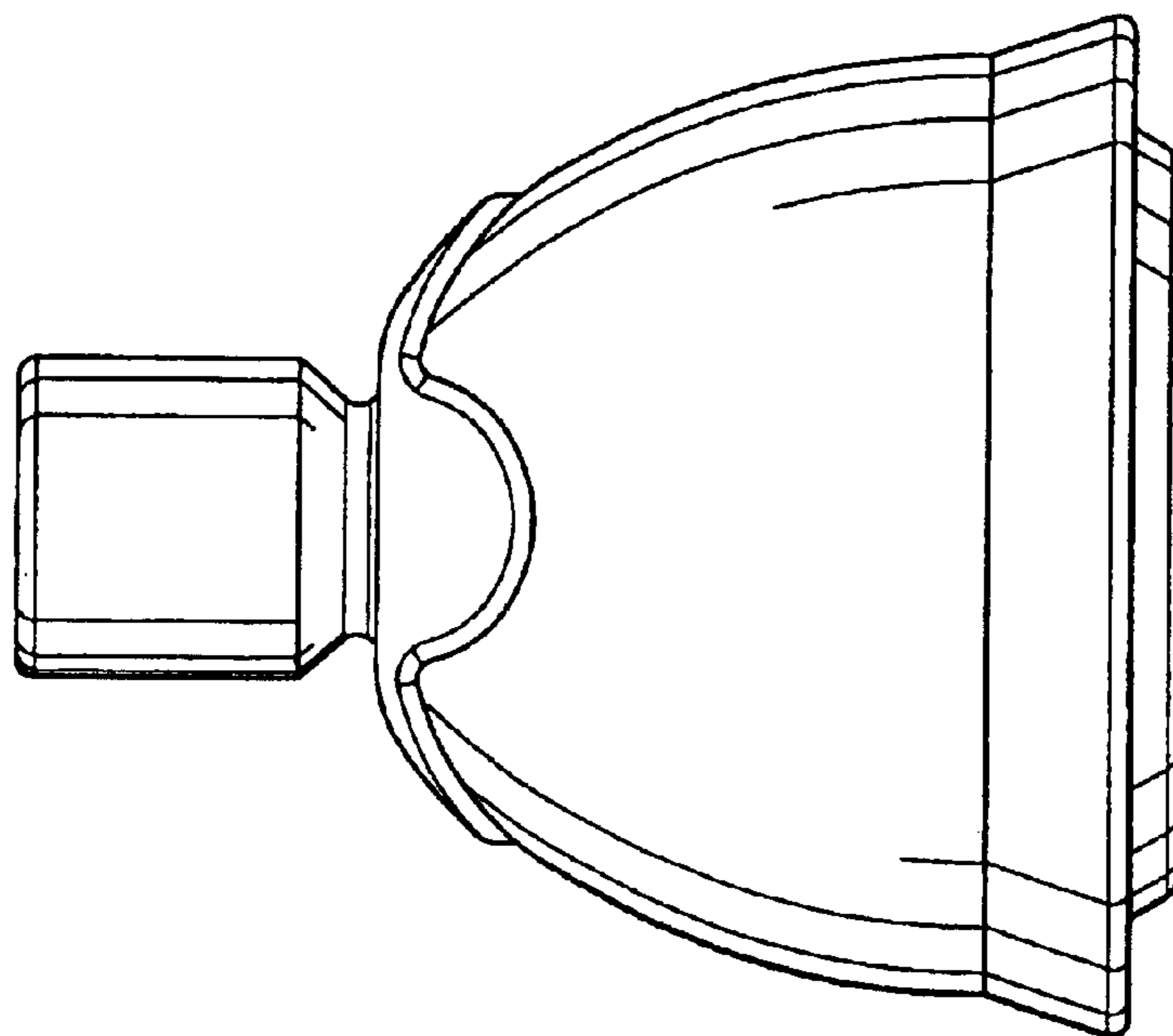


Fig-2