



US00D540430S

(12) **United States Design Patent**
Liao

(10) **Patent No.:** **US D540,430 S**

(45) **Date of Patent:** **** Apr. 10, 2007**

(54) **WATER SPRAY GUN**

(76) **Inventor:** **Yu Chung Liao**, 5F.-2, No. 212, Sec. 1,
Wunsin Rd., Taichung City (TW)

(**) **Term:** **14 Years**

(21) **Appl. No.:** **29/238,533**

(22) **Filed:** **Sep. 19, 2005**

(30) **Foreign Application Priority Data**

Apr. 20, 2005 (TW) 94302264

(51) **LOC (8) Cl.** **23-01**

(52) **U.S. Cl.** **D23/223; D23/225**

(58) **Field of Classification Search** D23/213,
D23/223, 225-6; 239/525-7, 310
See application file for complete search history.

(56) **References Cited**

U.S. PATENT DOCUMENTS

D314,649 S * 2/1991 Campbell et al. D32/17

D442,671 S * 5/2001 Chih D23/223
D470,569 S * 2/2003 Chen D23/225

* cited by examiner

Primary Examiner—Robin Webster

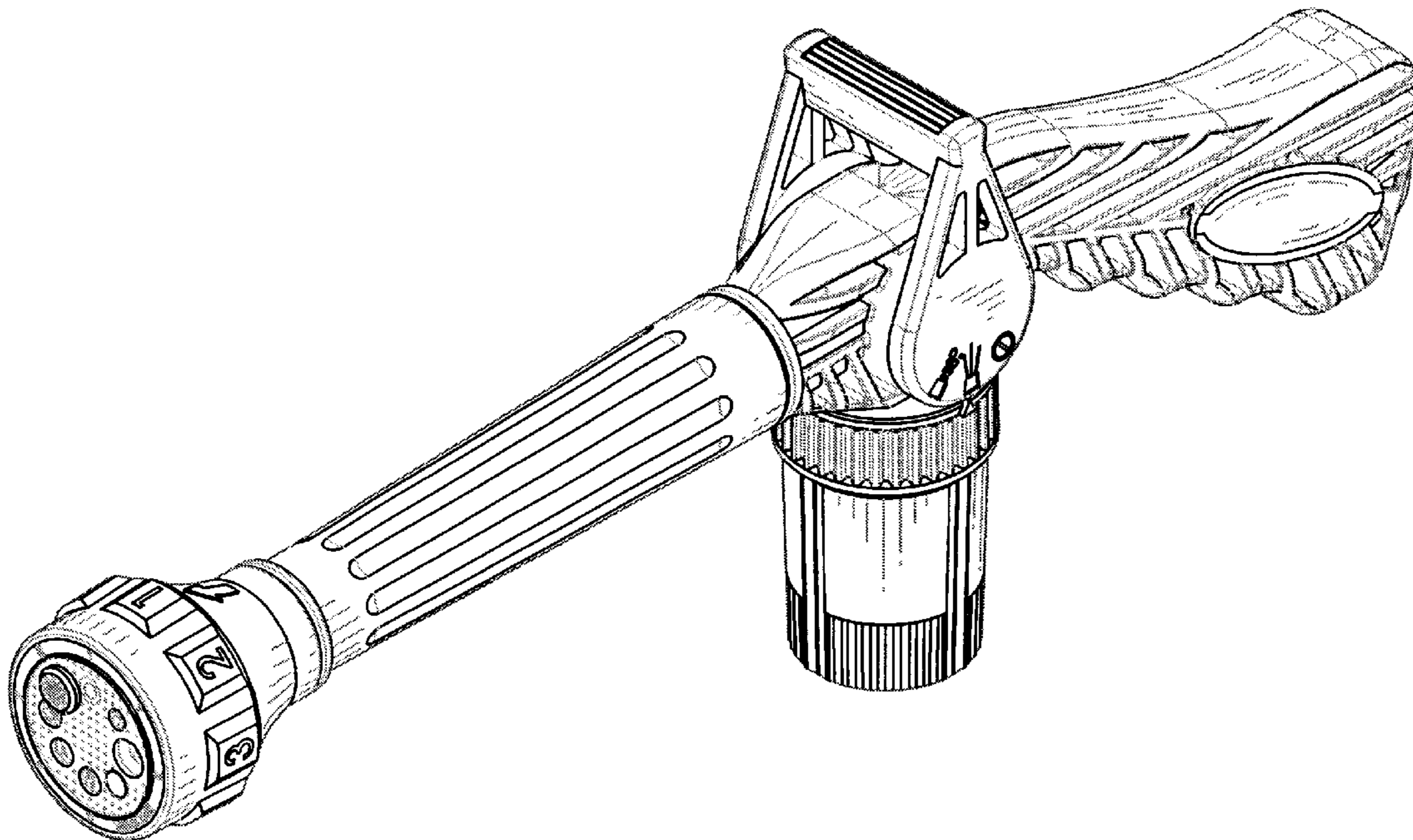
(57) **CLAIM**

The ornamental design for a water spray gun, is shown and described.

DESCRIPTION

FIG. 1 is a front perspective view of a water spray gun showing my new design;
FIG. 2 is a front elevational view;
FIG. 3 is a rear elevational view;
FIG. 4 is a left side elevational view;
FIG. 5 is a right side elevational view
FIG. 6 is a top plan view; and,
FIG. 7 is a bottom plan view thereof.

1 Claim, 6 Drawing Sheets



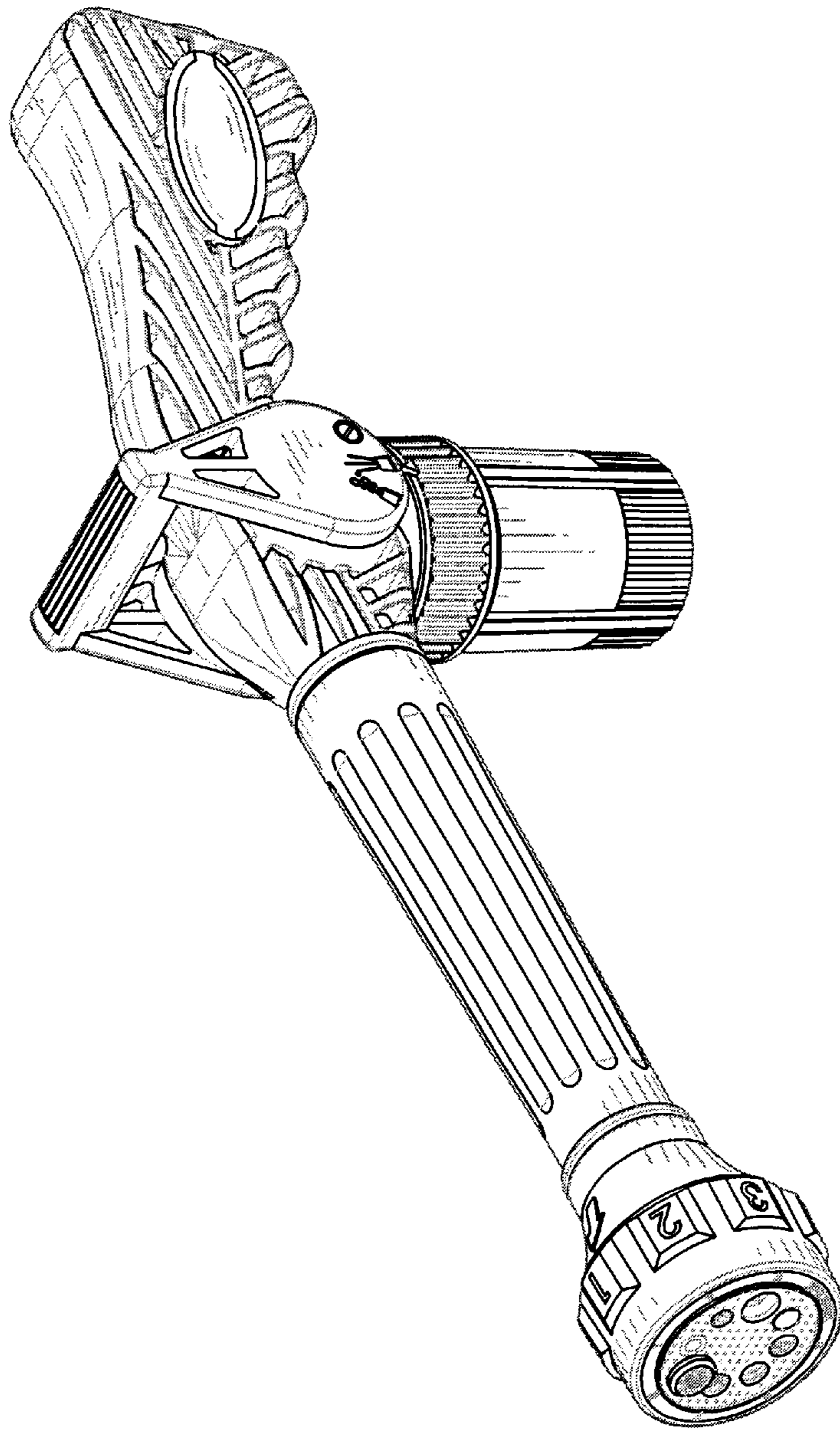


FIG. 1

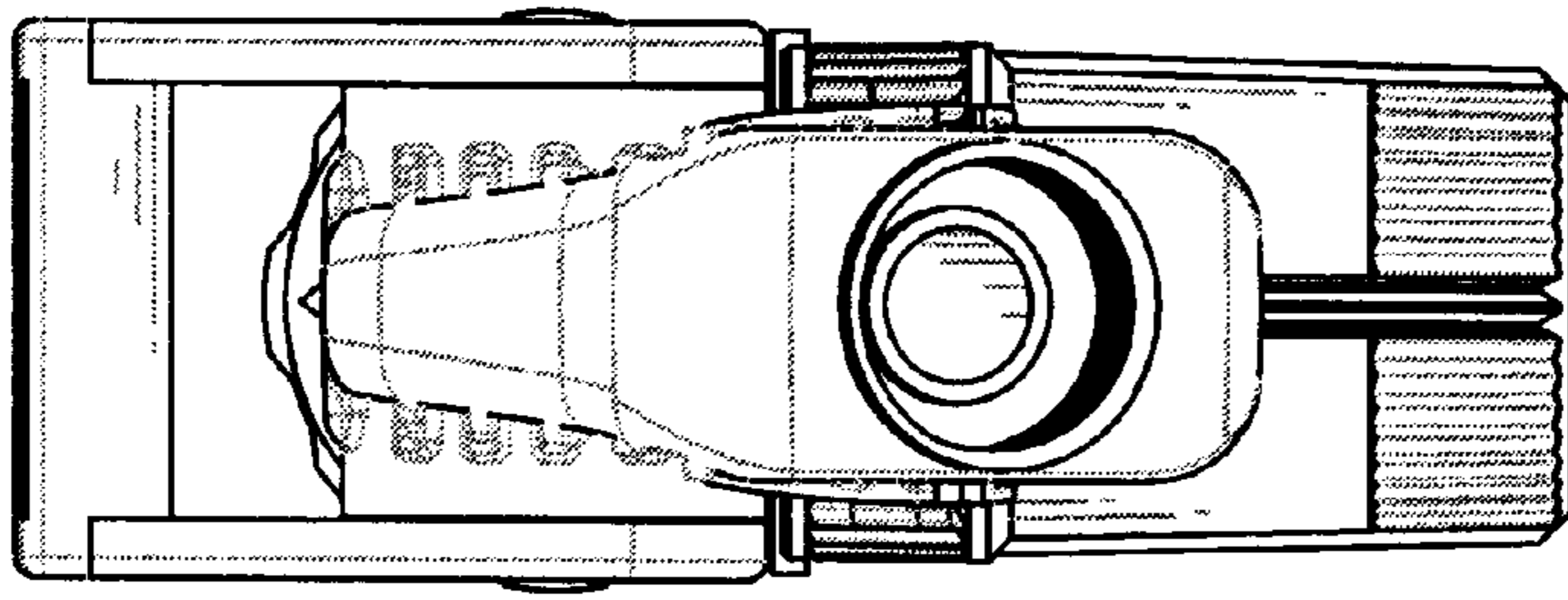


FIG. 3

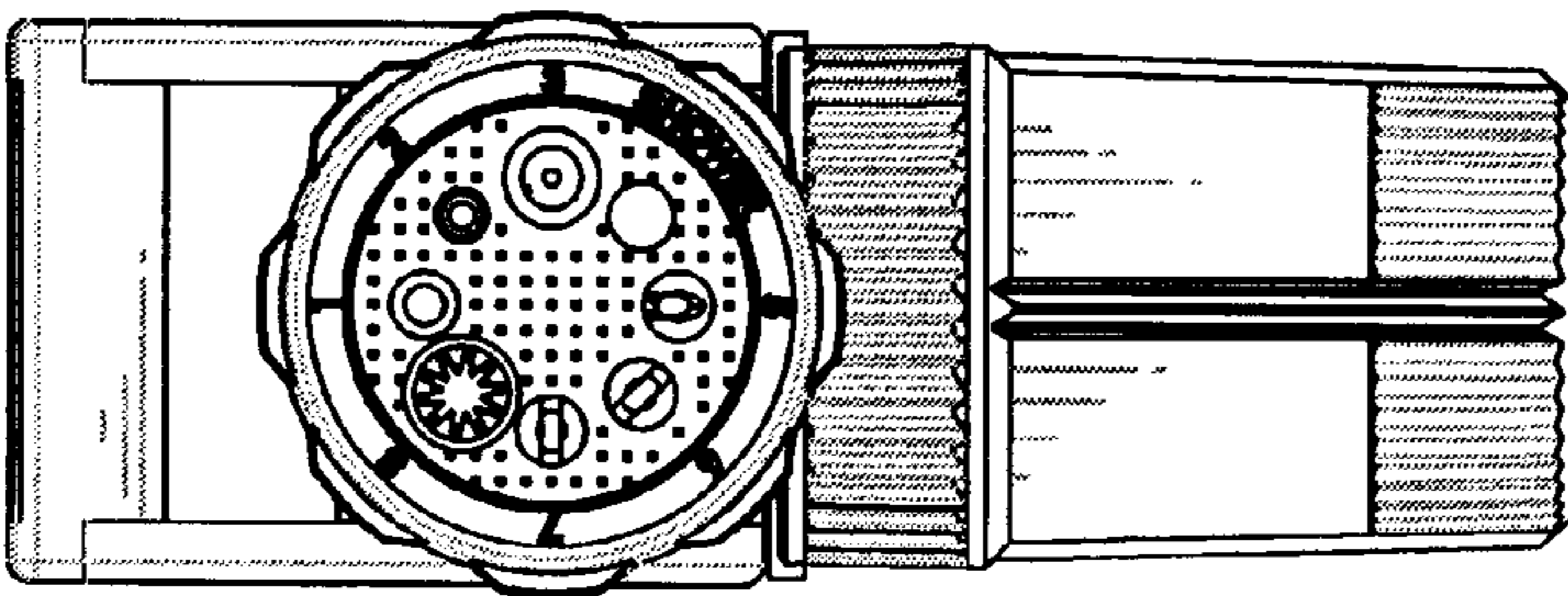


FIG. 2

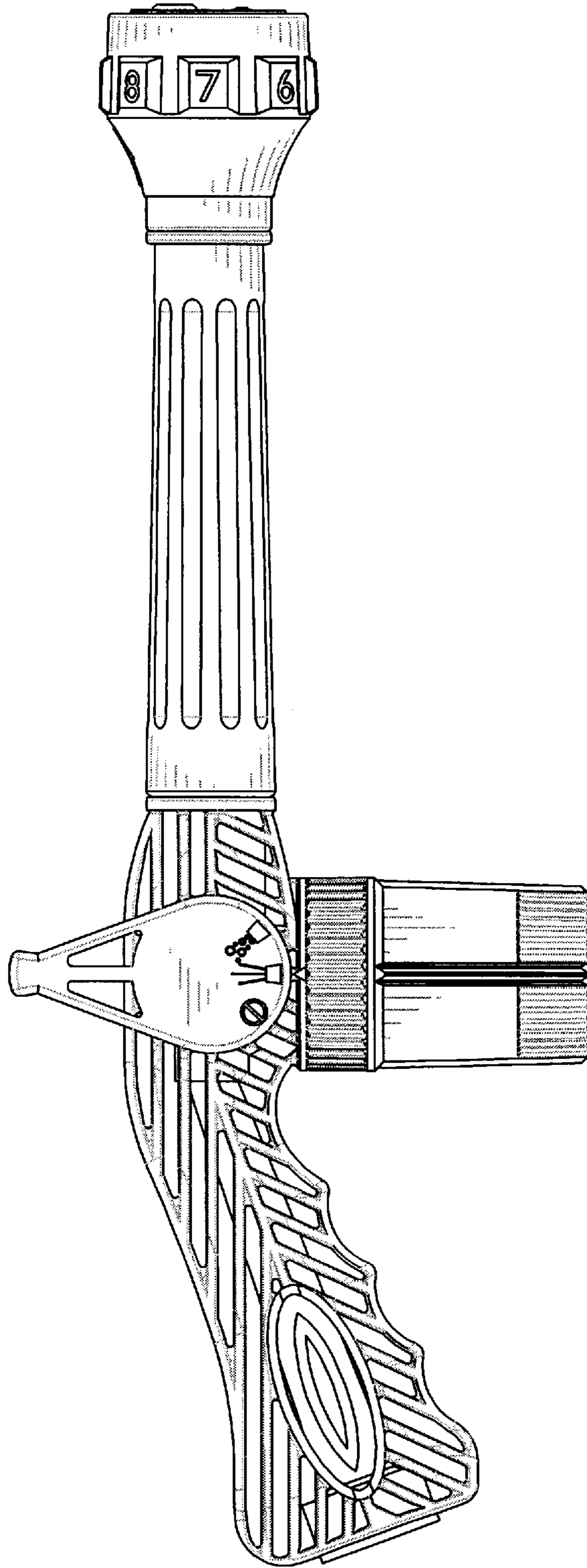


FIG. 4

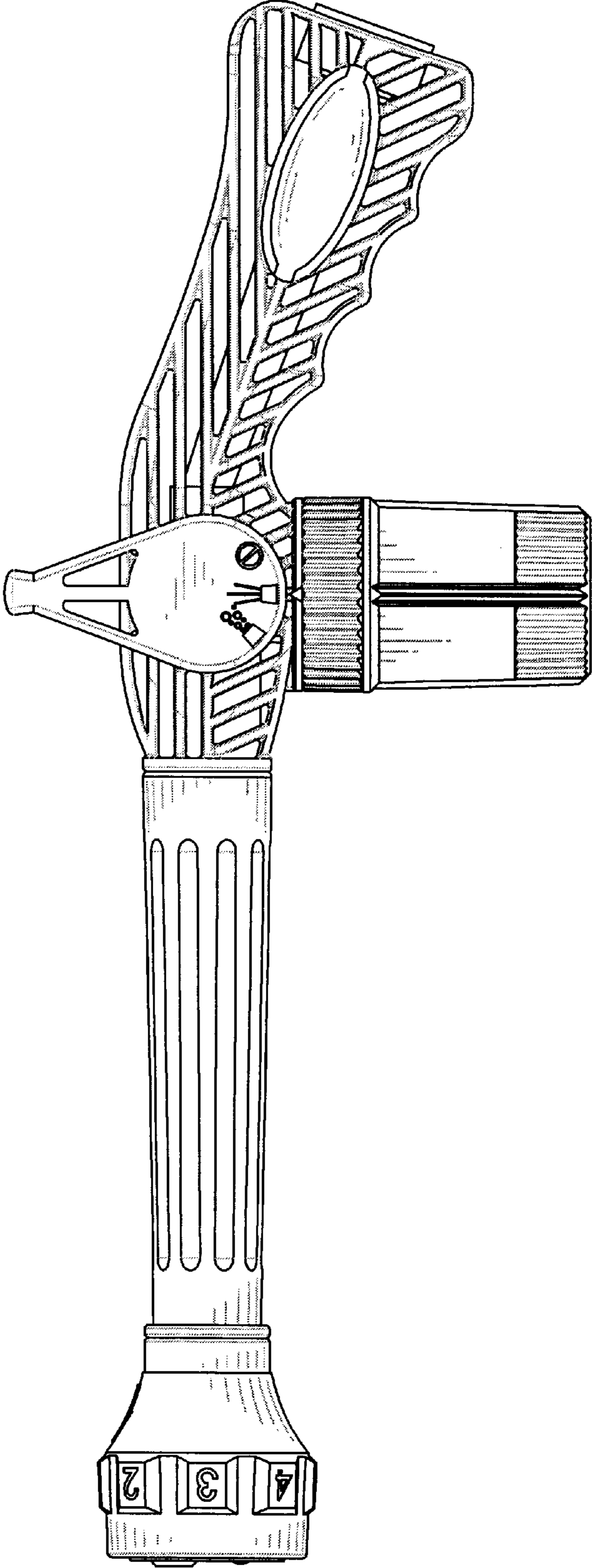


FIG. 5

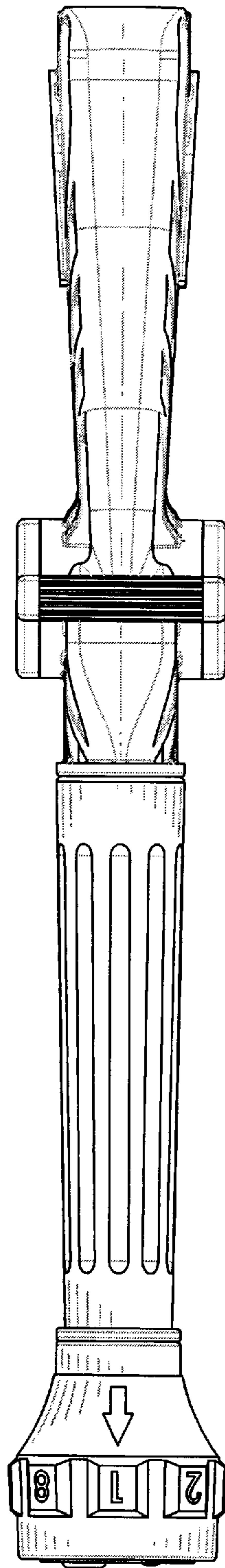


FIG. 6

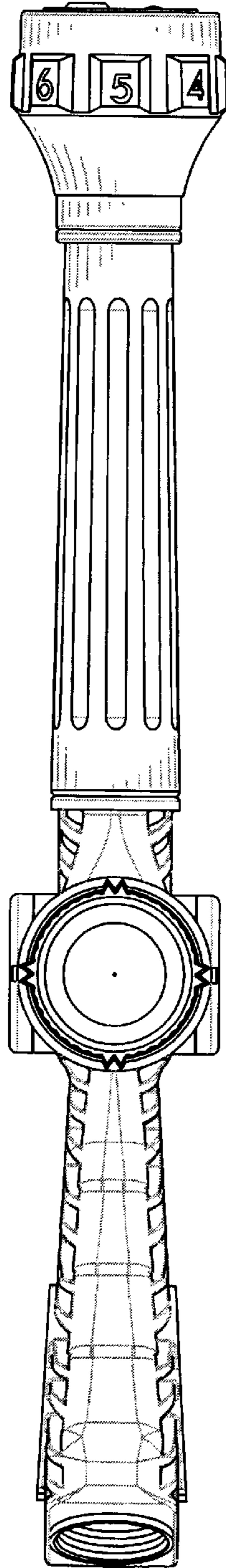


FIG. 7