

US00D540427S

(12) **United States Design Patent**
Bouroullec et al.

(10) **Patent No.:** **US D540,427 S**

(45) **Date of Patent:** **** Apr. 10, 2007**

(54) **SHOWER HEAD**

(75) Inventors: **Ronan Bouroullec**, Saint-Louis (FR);
Erwan Bouroullec, Saint-Louis (FR)

(73) Assignee: **Hansgrohe AG** (DE)

(**) Term: **14 Years**

(21) Appl. No.: **29/239,475**

(22) Filed: **Sep. 30, 2005**

(30) **Foreign Application Priority Data**

Apr. 8, 2005 (EM) 000324223-0001

(51) **LOC (8) Cl.** **23-01**

(52) **U.S. Cl.** **D23/213**

(58) **Field of Classification Search** D23/213,
D23/229-230; 239/282-3, 460, 394
See application file for complete search history.

(56) **References Cited**

U.S. PATENT DOCUMENTS

- D495,778 S * 9/2004 Jorgensen et al. D23/213
- D496,987 S * 10/2004 Glunk D23/213
- D517,164 S * 3/2006 Lee D23/213

- D523,520 S * 6/2006 Theberge D23/213
- D523,925 S * 6/2006 Hoernig D23/213
- D531,260 S * 10/2006 Luo et al. D23/213

* cited by examiner

Primary Examiner—Robin Webster

(74) *Attorney, Agent, or Firm*—Kwadjo Adusei-Poku;
Lloyd D. Doigan

(57) **CLAIM**

The ornamental design for a shower head, as shown and described.

DESCRIPTION

FIG. 1 is a front perspective view of a shower head showing our design;

FIG. 2 is a left side elevational view thereof; the right side elevational view being a mirror image thereof;

FIG. 3 is a front elevational view thereof;

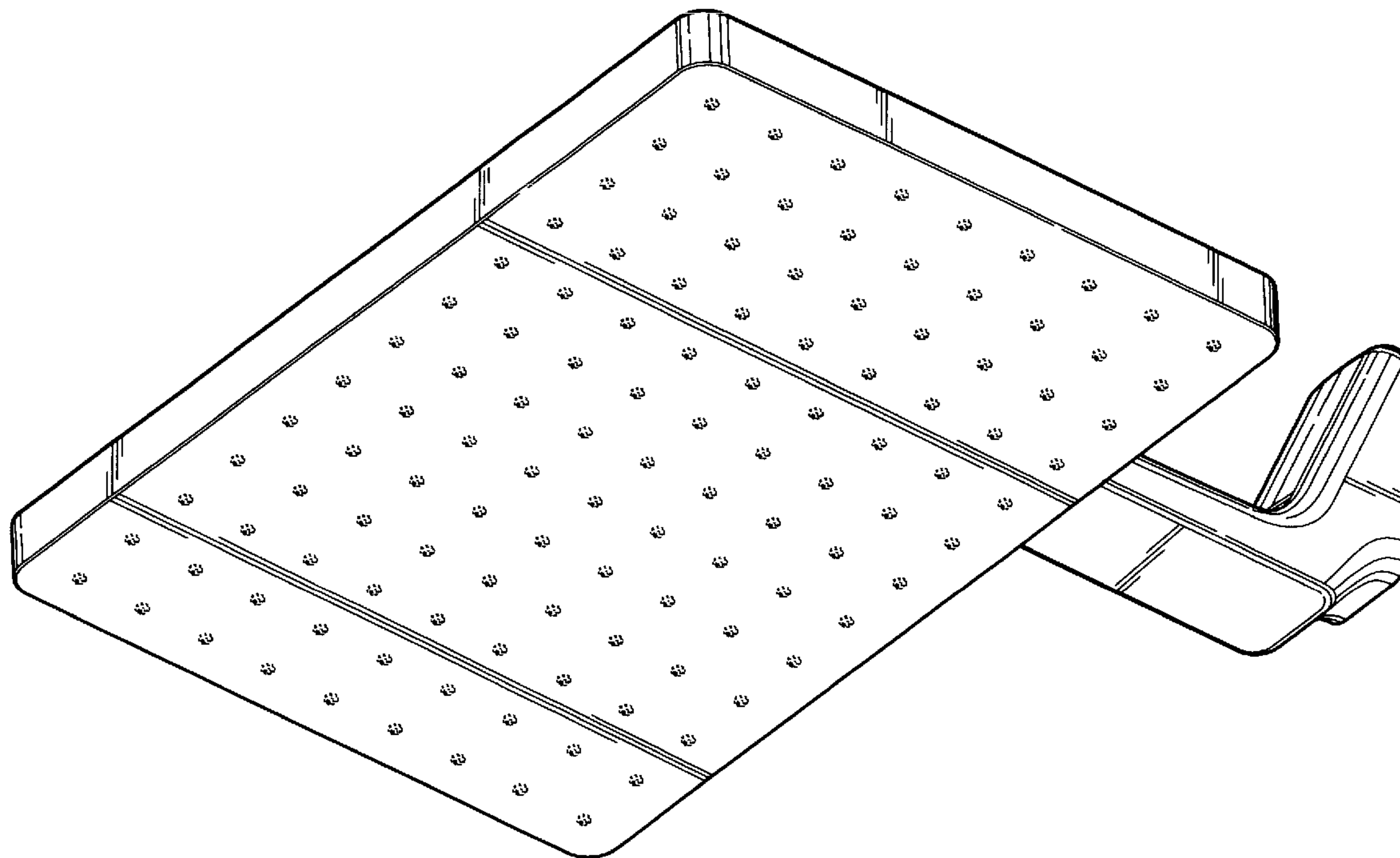
FIG. 4 is a bottom plan view thereof;

FIG. 5 is a top plan view thereof; and,

FIG. 6 is a rear elevational view thereof.

The broken line showing is or the purpose of illustrating and forms no part of the claimed design.

1 Claim, 4 Drawing Sheets



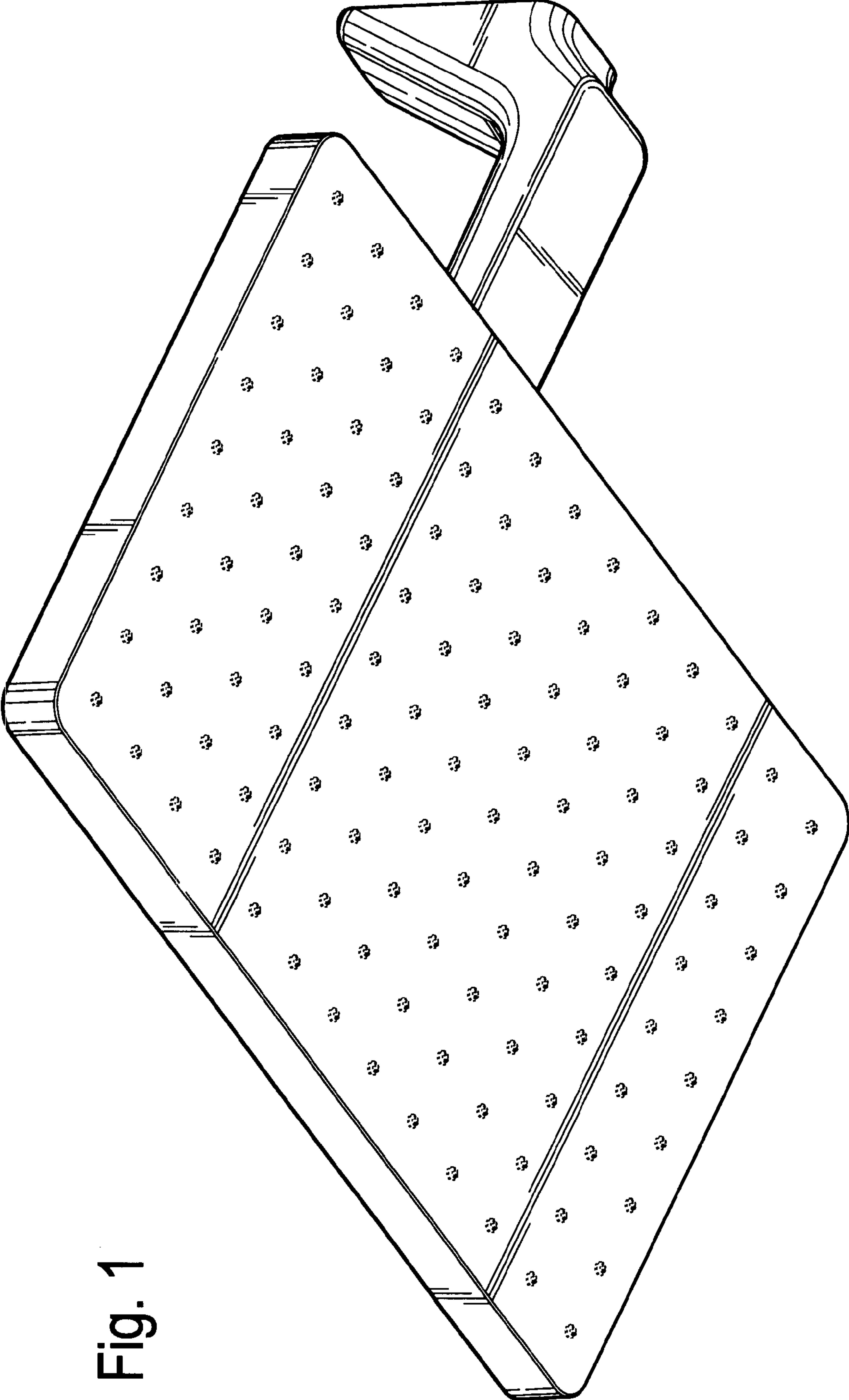


Fig. 1

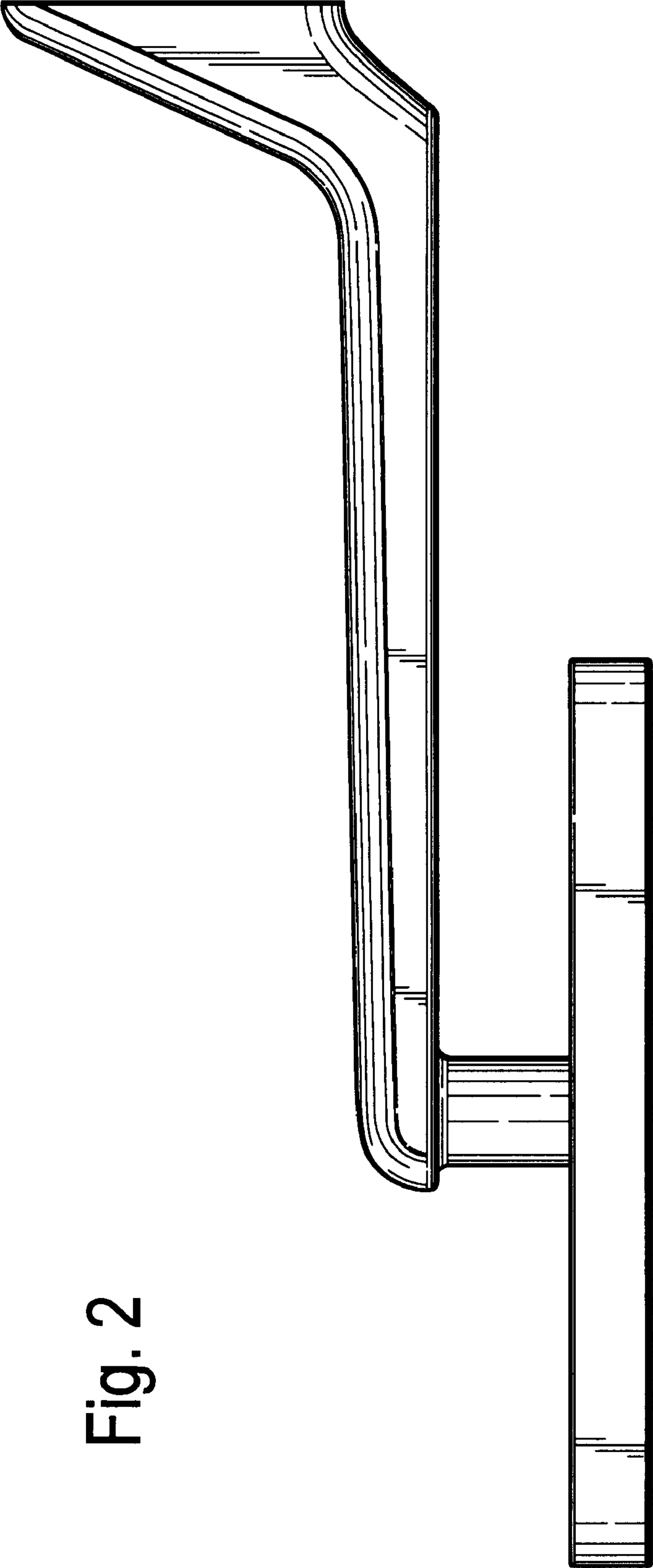


Fig. 2

Fig. 3

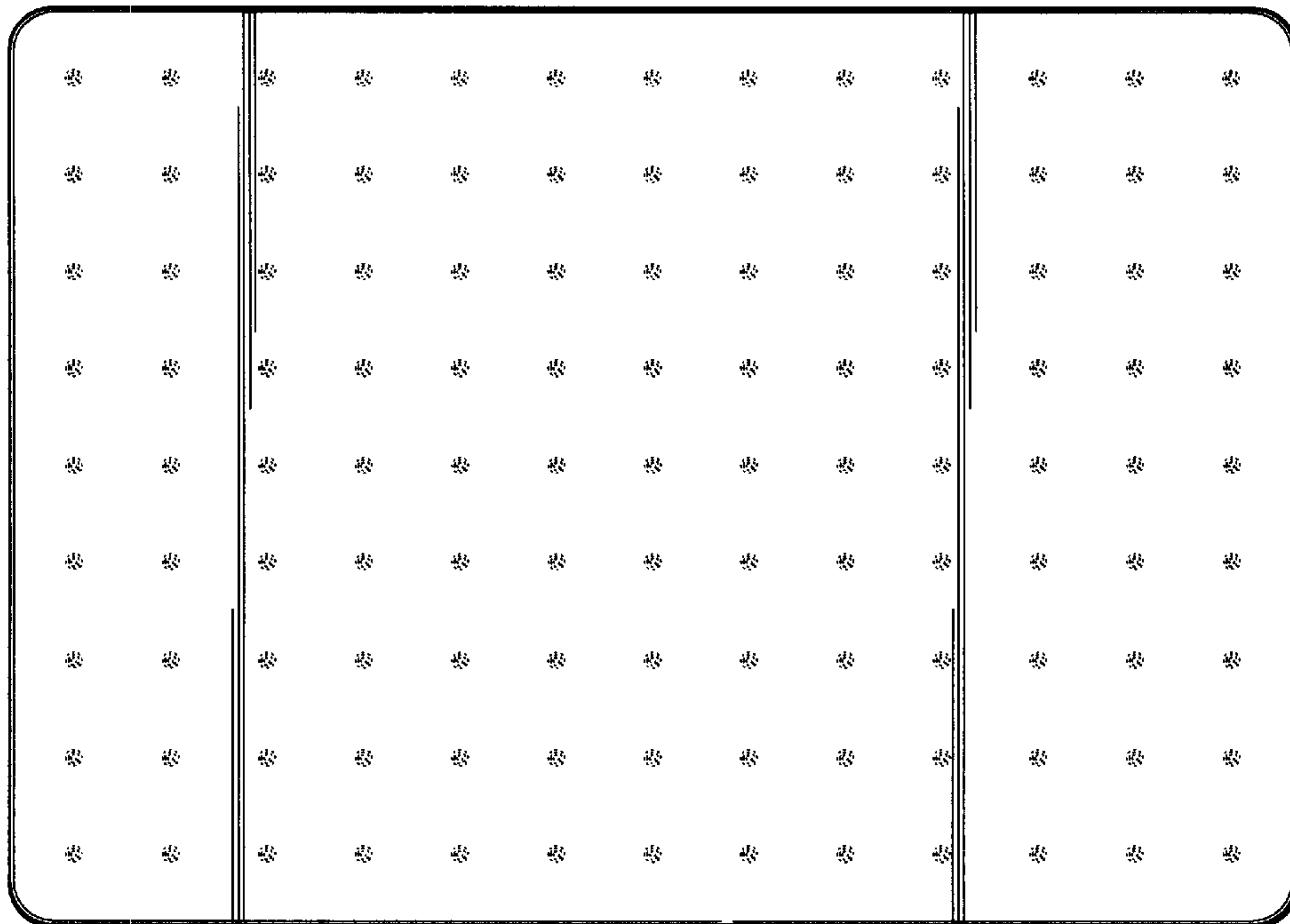
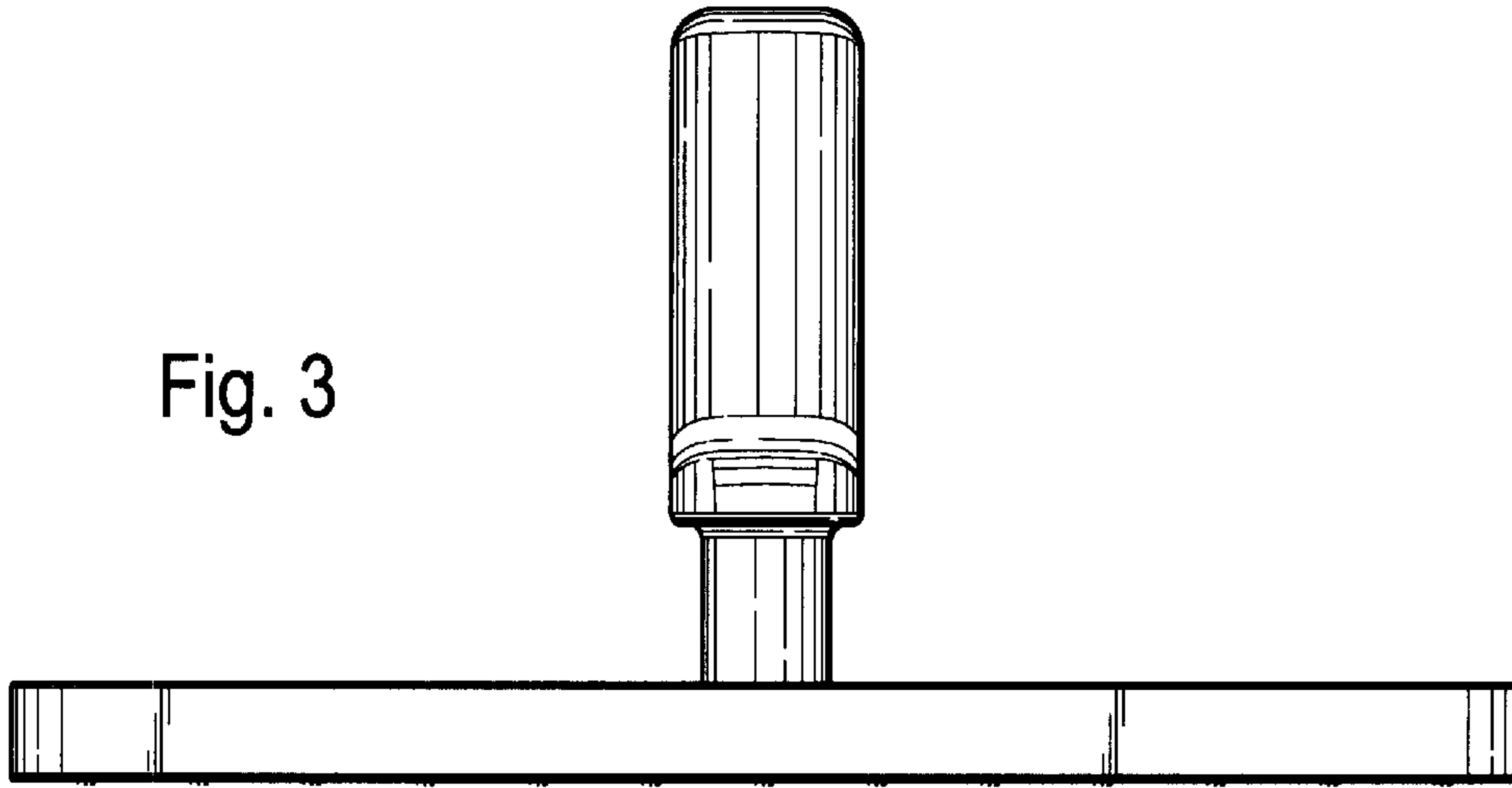
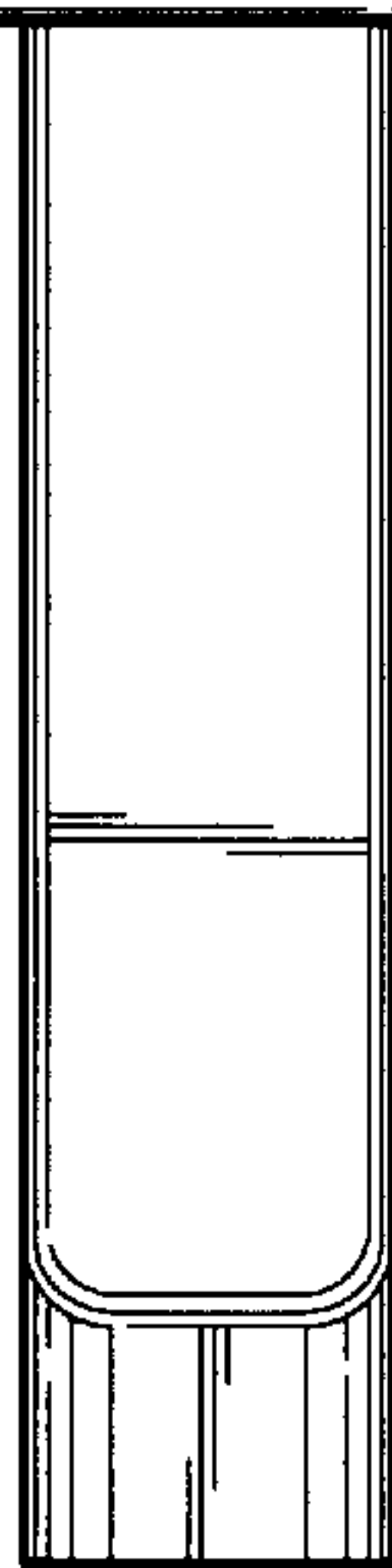


Fig. 4



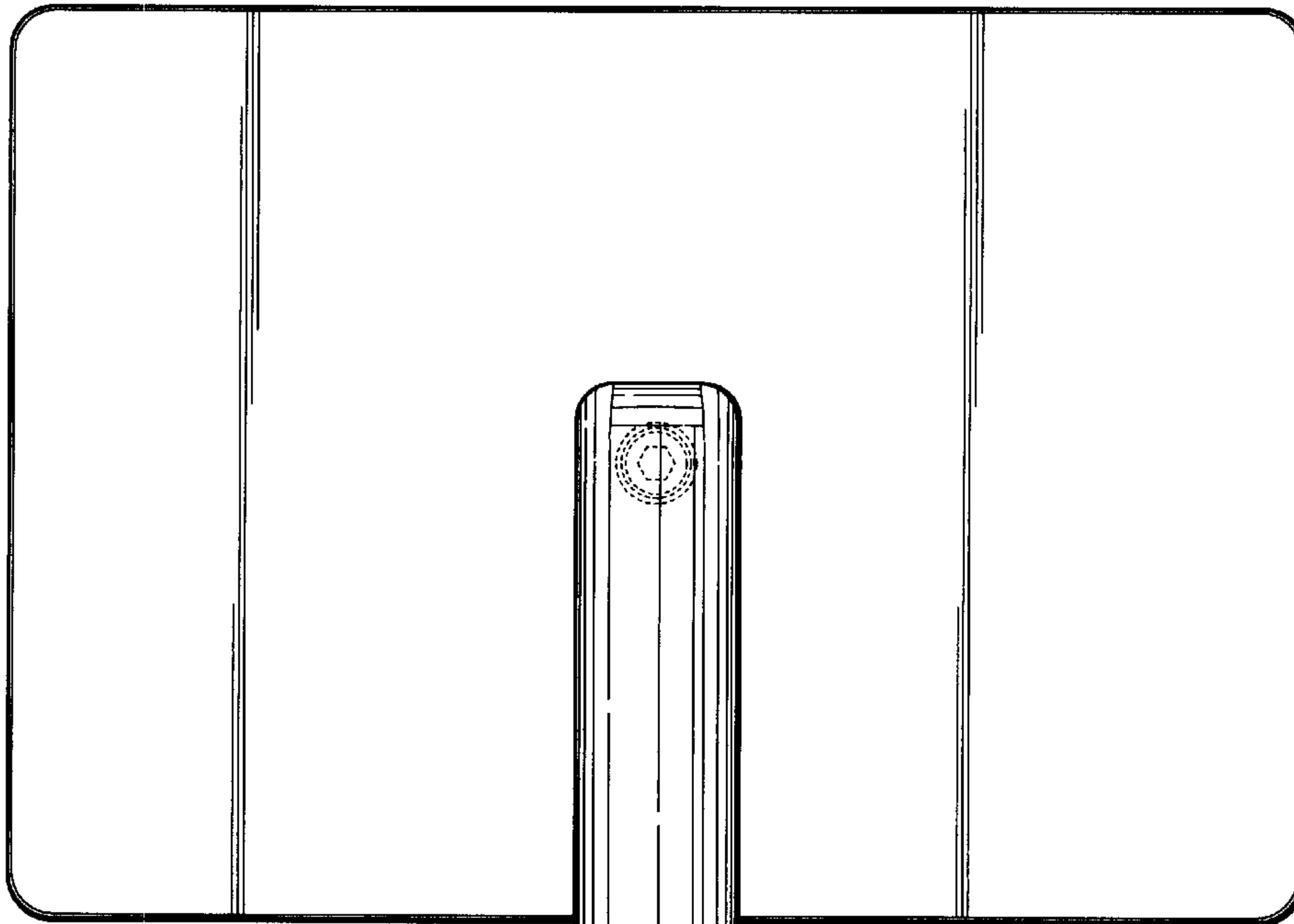


Fig. 5

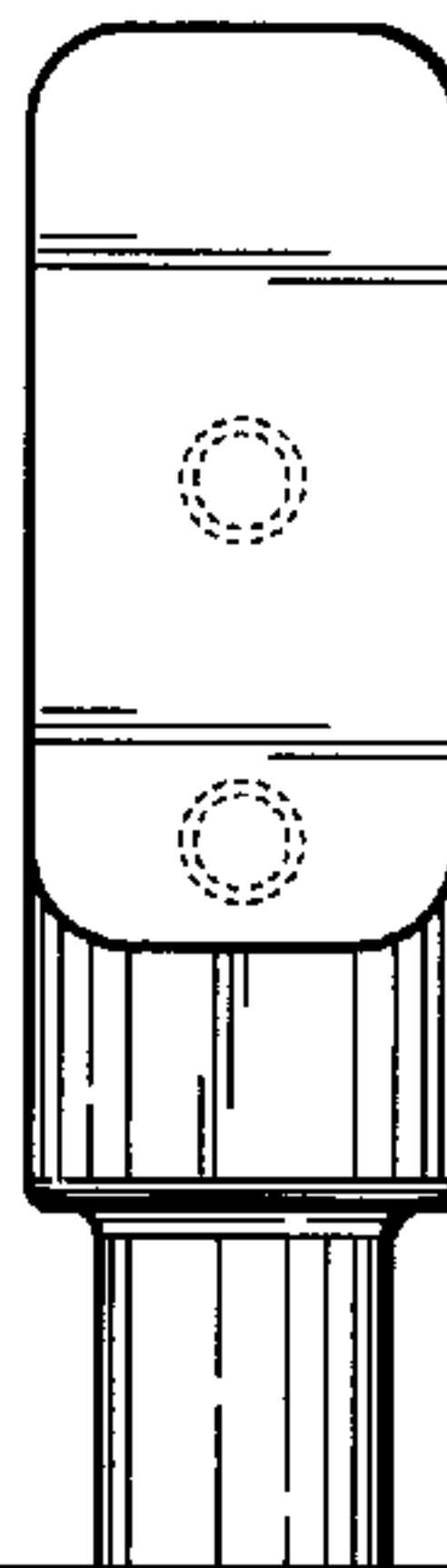


Fig. 6

