

US00D540425S

(12) **United States Design Patent**
Endo et al.

(10) **Patent No.:** **US D540,425 S**

(45) **Date of Patent:** **** Apr. 10, 2007**

(54) **AUTOMATIC SPRAY GUN**

6,860,438 B1 * 3/2005 Huang 239/394

(75) Inventors: **Takeshi Endo**, Kanagawa (JP);
Nobuyoshi Morita, Kanagawa (JP)

* cited by examiner

Primary Examiner—Robin Webster

(73) Assignee: **ANEST IWATA Corporation**,
Kanagawa-ken (JP)

(74) *Attorney, Agent, or Firm*—Wenderoth, Lind & Ponack,
L.L.P.

(**) Term: **14 Years**

(57) **CLAIM**

The ornamental design for an automatic spray gun, as shown and described.

(21) Appl. No.: **29/239,070**

DESCRIPTION

(22) Filed: **Sep. 27, 2005**

(51) **LOC (8) Cl.** **23-01**

(52) **U.S. Cl.** **D23/213**

(58) **Field of Classification Search** D23/213,
D23/223, 226; 239/459–460, 525–7, 690–1;
251/199

See application file for complete search history.

FIG. 1 is a perspective view of an automatic spray gun in accordance with the present design;

FIG. 2 is a front view according to the present design;

FIG. 3 is a back view according to the present design;

FIG. 4 is a side view generally taken from the right side of FIG. 1;

FIG. 5 is a side view of the opposite side;

FIG. 6 is a top view of the present design;

FIG. 7 is a bottom view of the present design; and,

FIG. 8 is a reference view of the present design.

The broken line showing is for illustrative purposes only and forms no part of the claimed design.

(56) **References Cited**

U.S. PATENT DOCUMENTS

- D158,121 S * 4/1950 Peeps D23/226
- D408,889 S * 4/1999 Hui-Chen D23/223
- D412,356 S * 7/1999 Hui-Chen D23/223

1 Claim, 5 Drawing Sheets

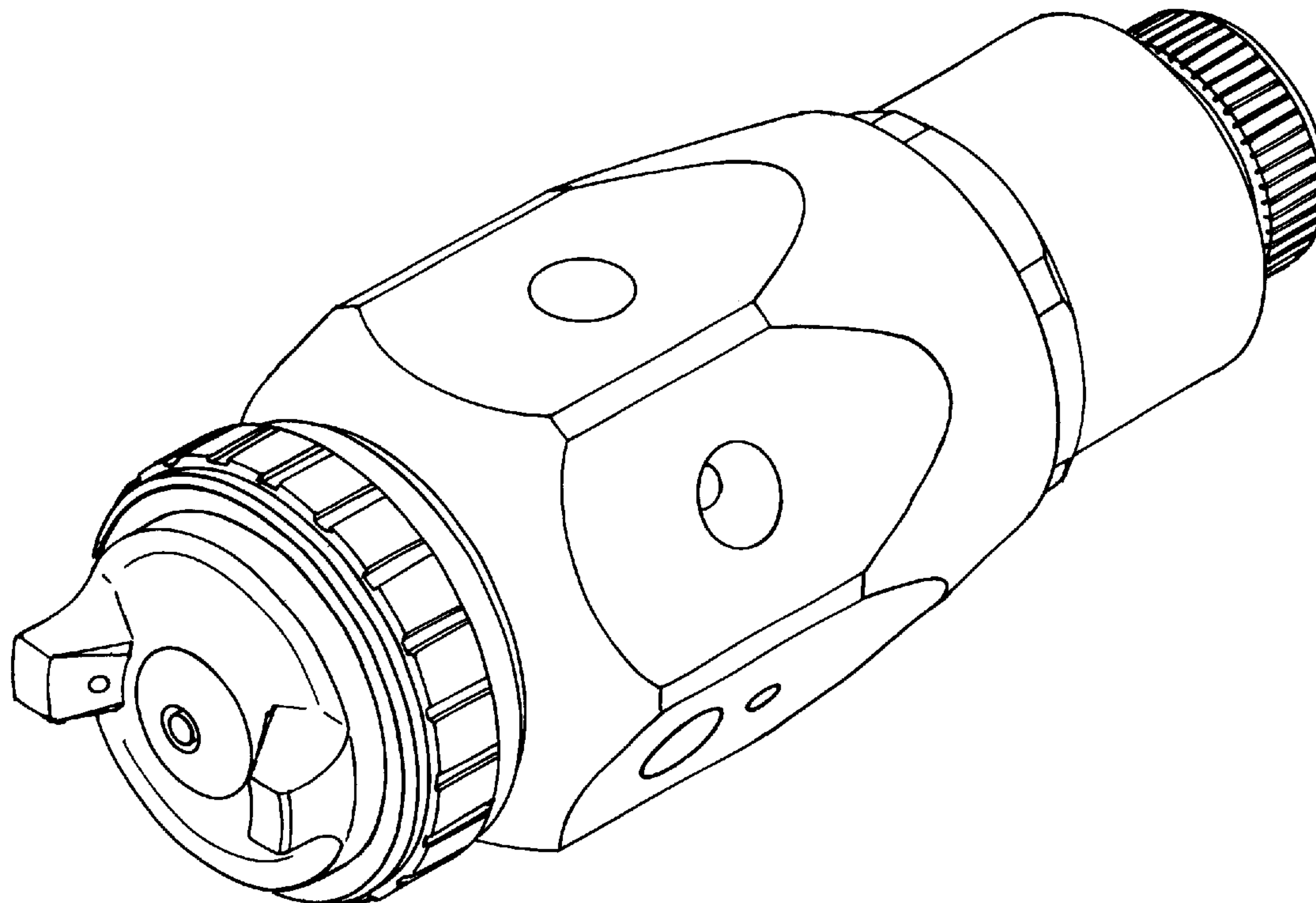


FIG. 1

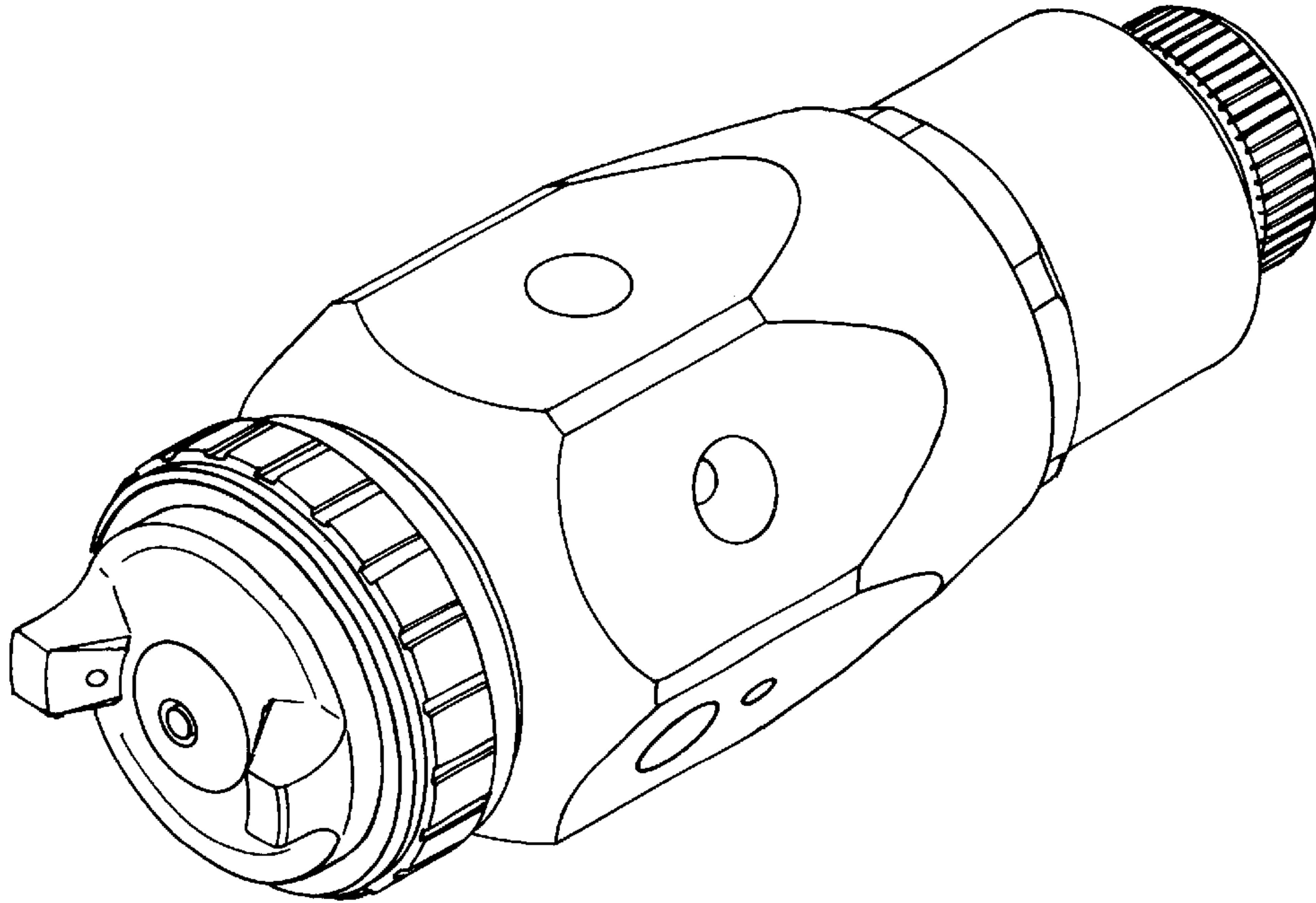


FIG. 2

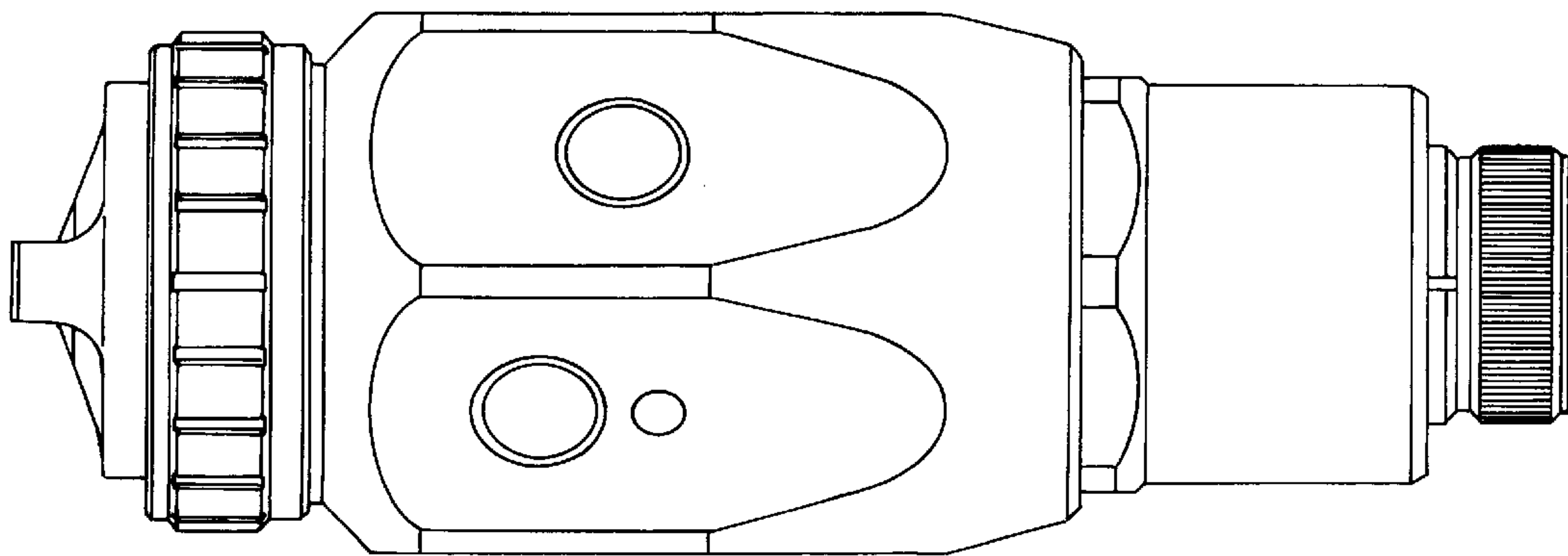


FIG. 3

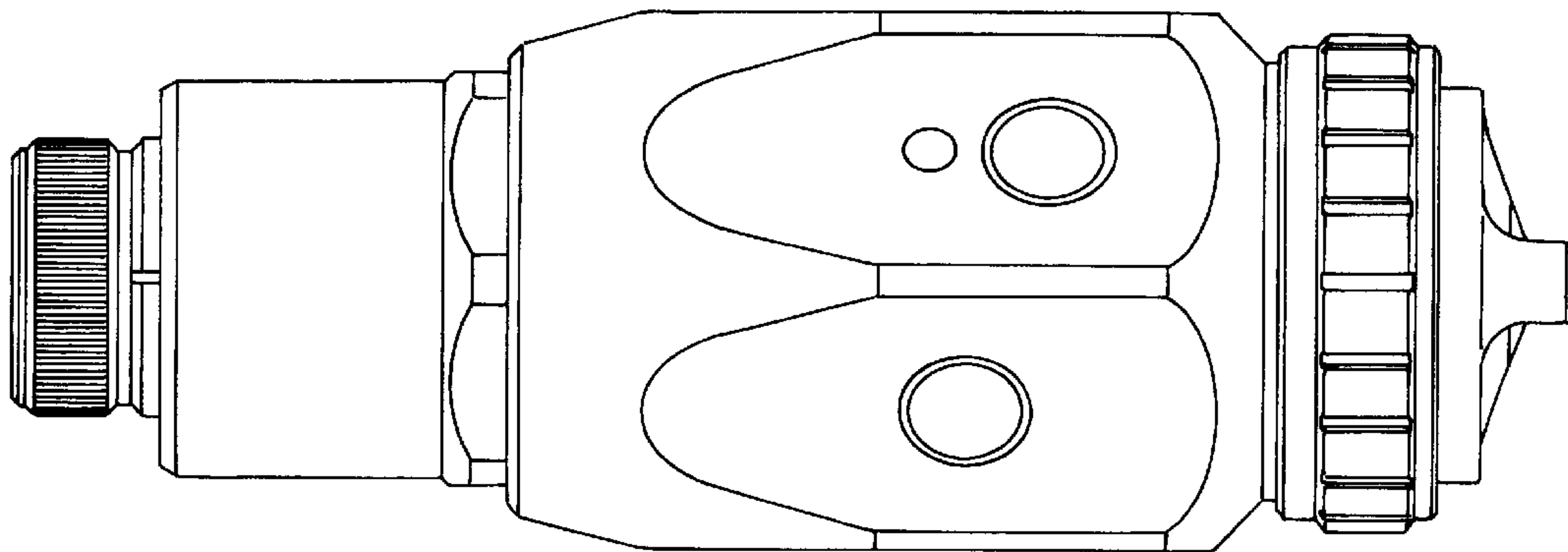


FIG.4

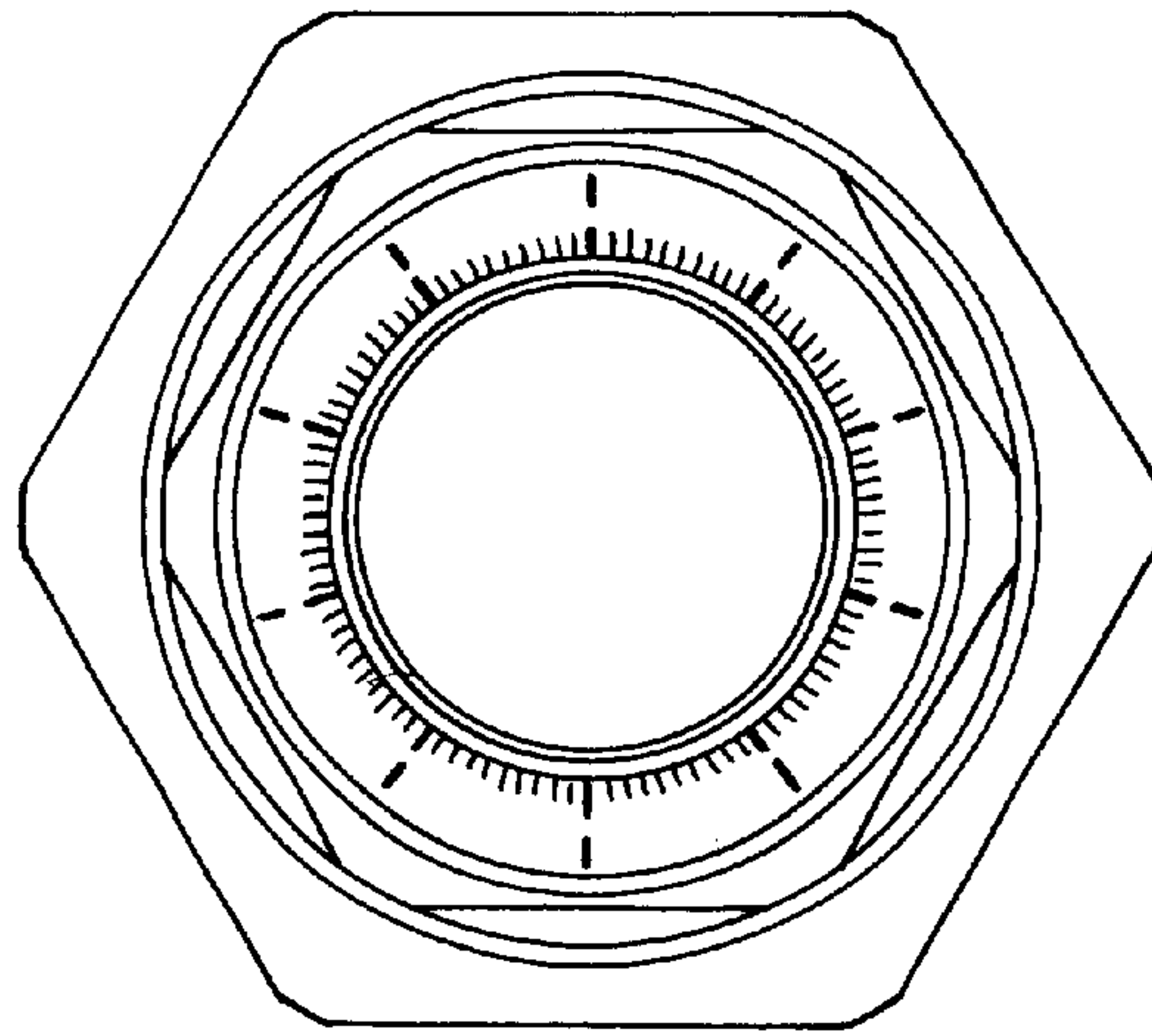


FIG.5

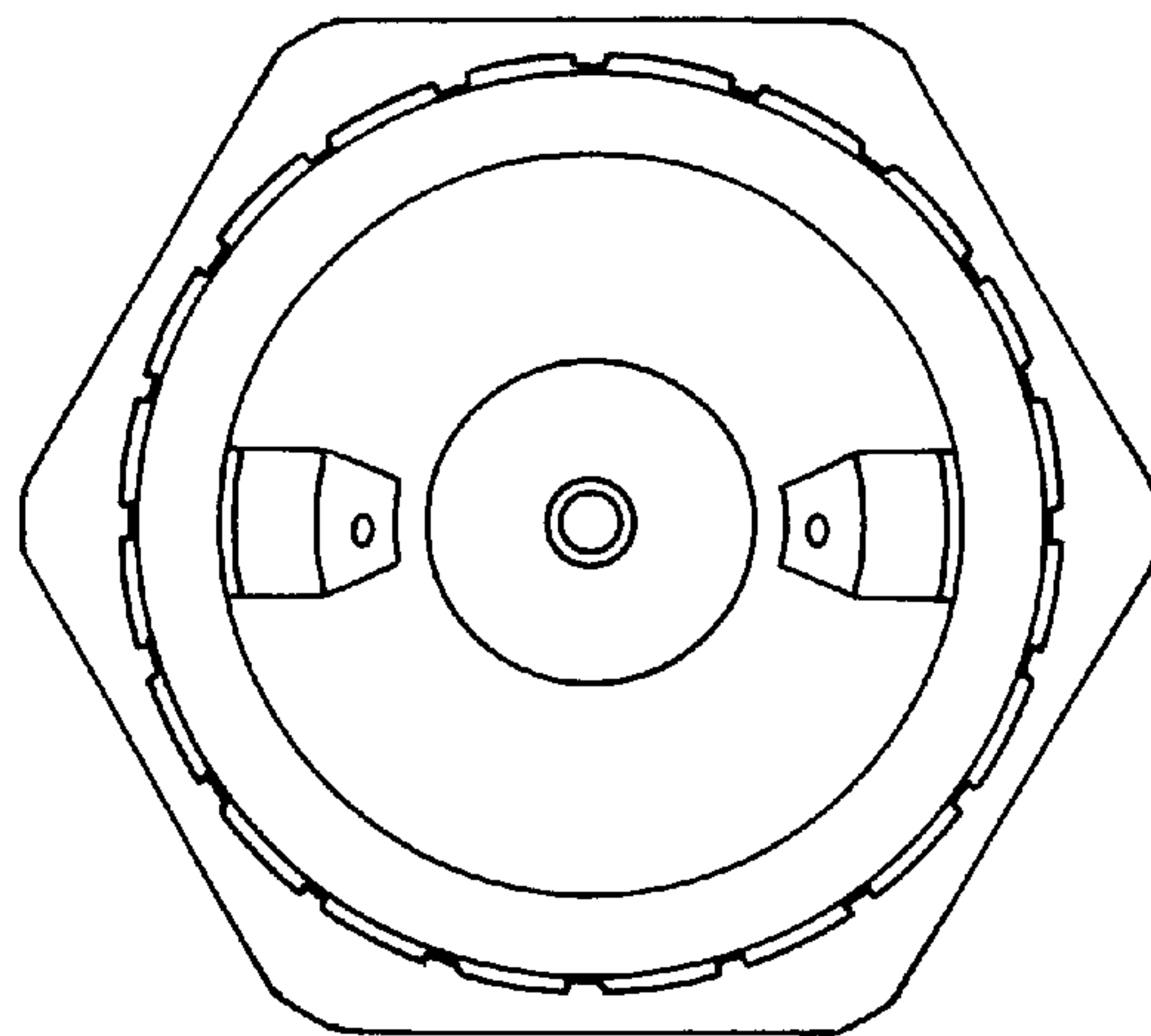


FIG. 6

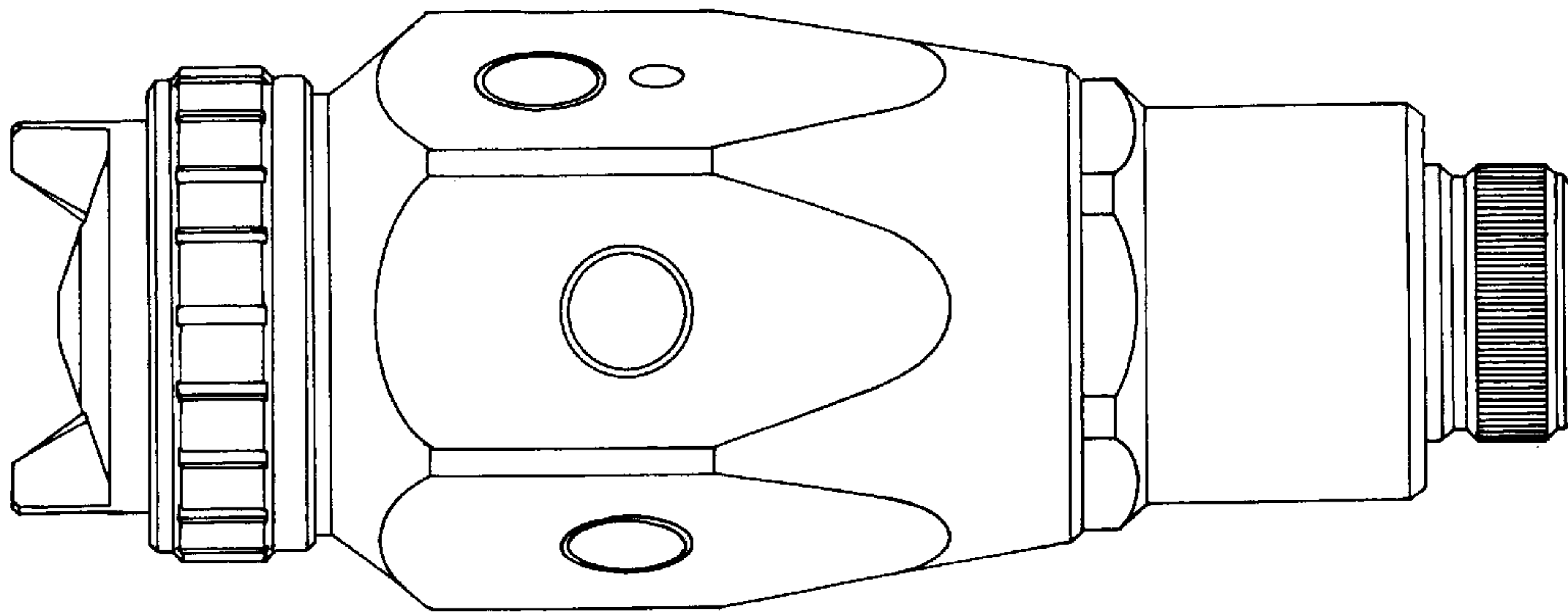


FIG. 7

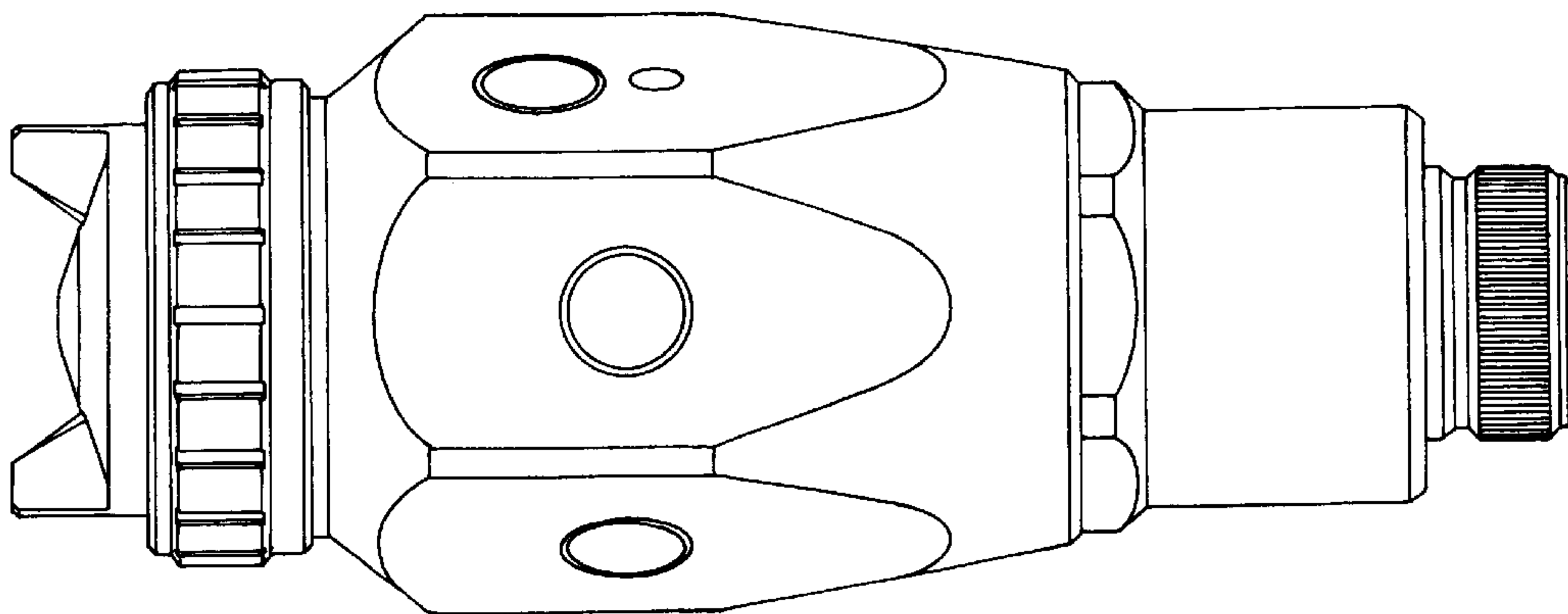


FIG. 8

