

US00D540424S

(12) **United States Design Patent**  
**Kirar**

(10) **Patent No.:** **US D540,424 S**

(45) **Date of Patent:** **\*\* Apr. 10, 2007**

(54) **SHOWERHEAD**

(75) Inventor: **Laura K. Kirar**, New York, NY (US)

(73) Assignee: **Kohler Co.**, Kohler, WI (US)

(\*\*) Term: **14 Years**

(21) Appl. No.: **29/229,655**

(22) Filed: **May 10, 2005**

(51) **LOC (8) Cl.** ..... **23-01**

(52) **U.S. Cl.** ..... **D23/213**

(58) **Field of Classification Search** ..... D23/213,  
D23/223, 229–30; 239/282–3, 462  
See application file for complete search history.

(56) **References Cited**

**U.S. PATENT DOCUMENTS**

D261,417 S	*	10/1981	Klose	.....	D23/229
D297,160 S	*	8/1988	Robbins	.....	D23/213
6,264,121 B1	*	7/2001	McClary	.....	239/525
D501,243 S	*	1/2005	Blomstrom	.....	D23/229
D512,120 S	*	11/2005	Haug et al.	.....	D23/213
D512,764 S	*	12/2005	Kohler et al.	.....	D23/229

**OTHER PUBLICATIONS**

Kohler Co. “Purist® Rite-Temp® pressure-balancing shower faucet trim”. Model No.: K-T14422-3. Kohler Co., online catalog. Copyright 2006 Kohler Co. Admitted prior art.

Kallista, Inc. “Spraybar Shower Fixture”. Retro Collection. Kallista, Inc. online catalog. Copyright 2005 Kallista. Admitted prior art.

Delta Faucet. “Award Collection –Cultured Gold Satin”, Model No.: 2882CG ROS. “At Home with Delta –The Delta Faucet Home Catalogue”, (no copyright information available) Admitted prior art.

Delta Faucet. “Award Collection –Cultured Gold Bright”, Model No.: 2882BC Oak. “At Home with Delta –The Delta Faucet Home Catalogue”. (no copyright information available) Admitted prior art.

\* cited by examiner

*Primary Examiner*—Robin Webster

(74) *Attorney, Agent, or Firm*—Quarles & Brady LLP

(57) **CLAIM**

The ornamental design for a showerhead, as shown and described.

**DESCRIPTION**

In a preferred embodiment, the nature of this product is as a showerhead primarily useful for enabling a water spray from a ceiling or wall mounted fitting.

FIG. 1 is a bottom, front perspective view of a showerhead according to my new design;

FIG. 2 is a bottom plan view thereof;

FIG. 3 is a front elevational view thereof, the rear elevational view thereof being a mirror image of the front view shown;

FIG. 4 is a left side elevational view thereof, the right side elevational view thereof being a mirror image of the left side shown;

FIG. 5 is a top plan view thereof;

FIG. 6 is a top, left, front perspective view of a showerhead according to another embodiment of my new design;

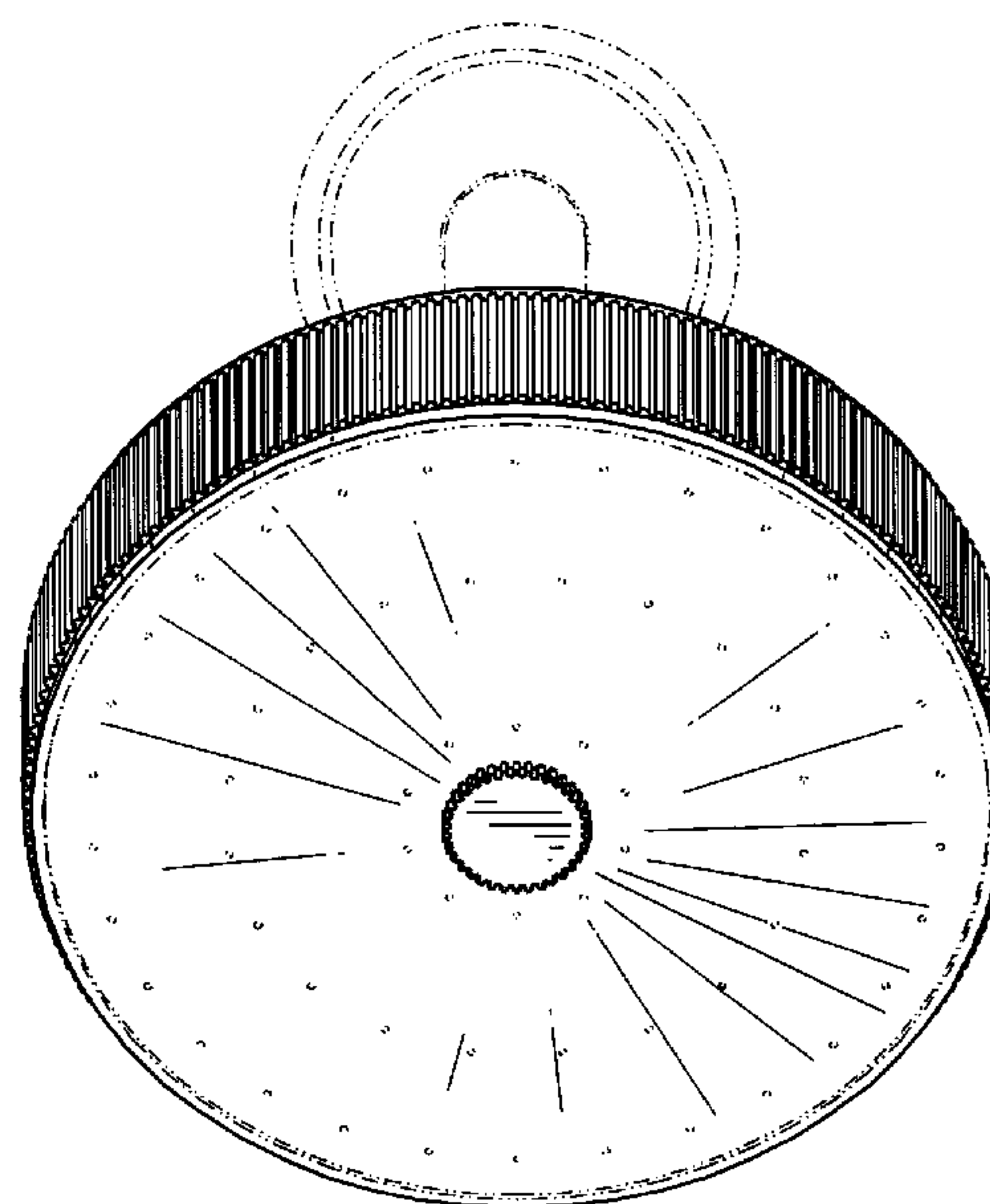
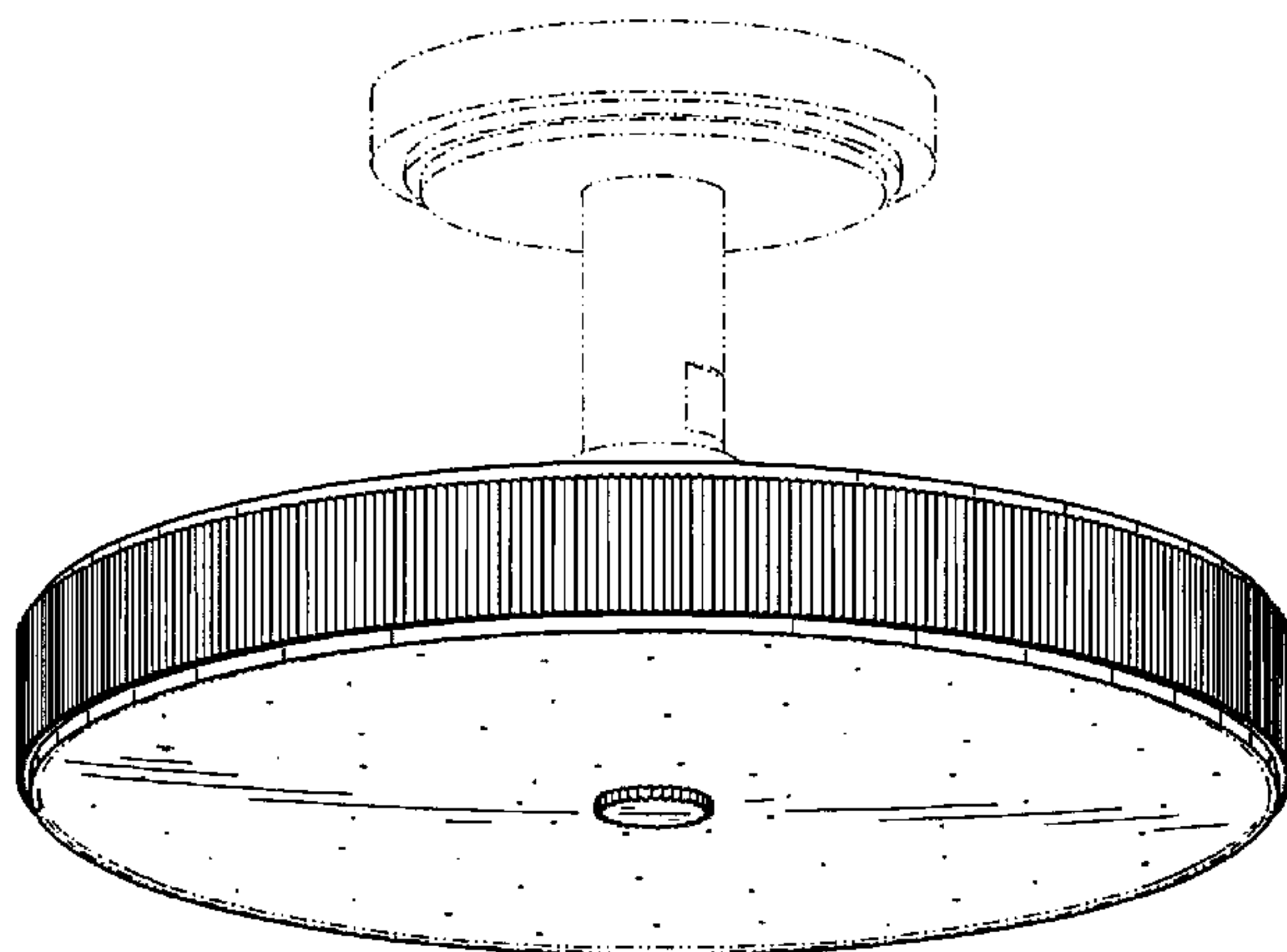
FIG. 7 is a front elevational view thereof;

FIG. 8 is a left side elevational view thereof, the right side elevational view thereof being a mirror image of the left side shown; and,

FIG. 9 is a top plan view thereof.

The broken line representations of mounting structure in FIGS. 1, 3–9 and of outlet holes in FIGS. 1–2 and 6–7 are for the purpose of illustration only, and form no part of the claimed design.

**1 Claim, 7 Drawing Sheets**



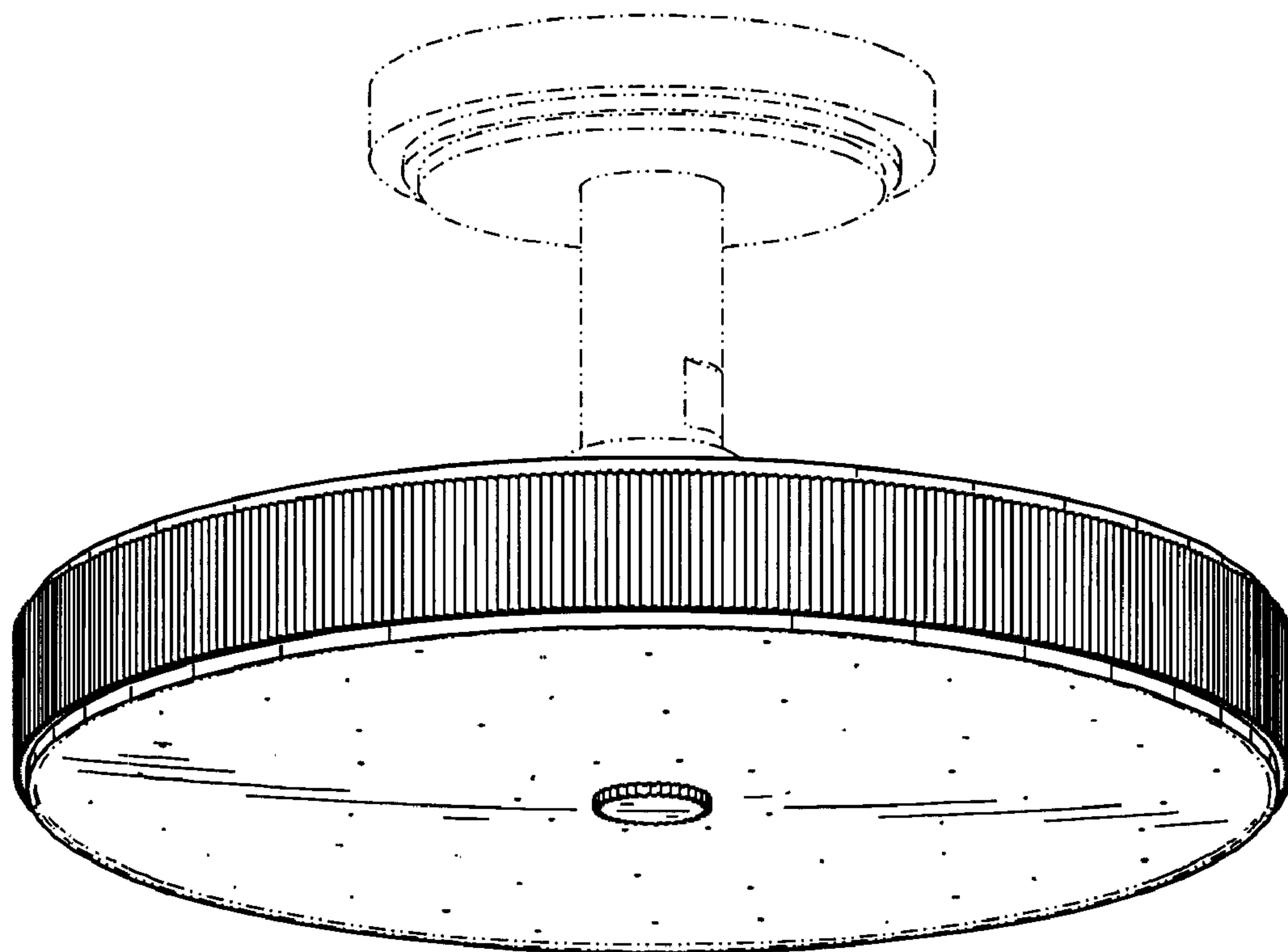


FIG. 1

FIG. 2

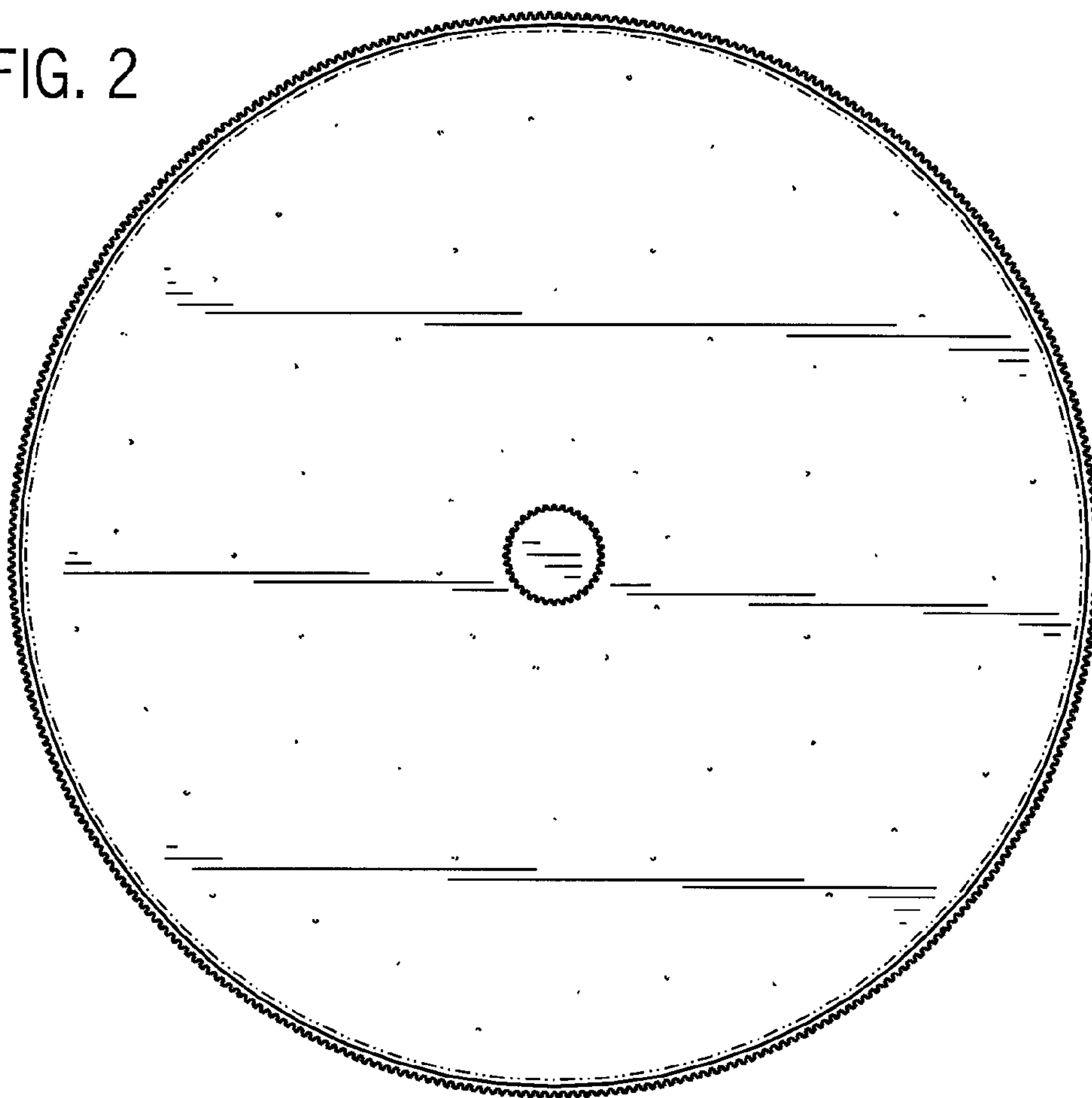


FIG. 3

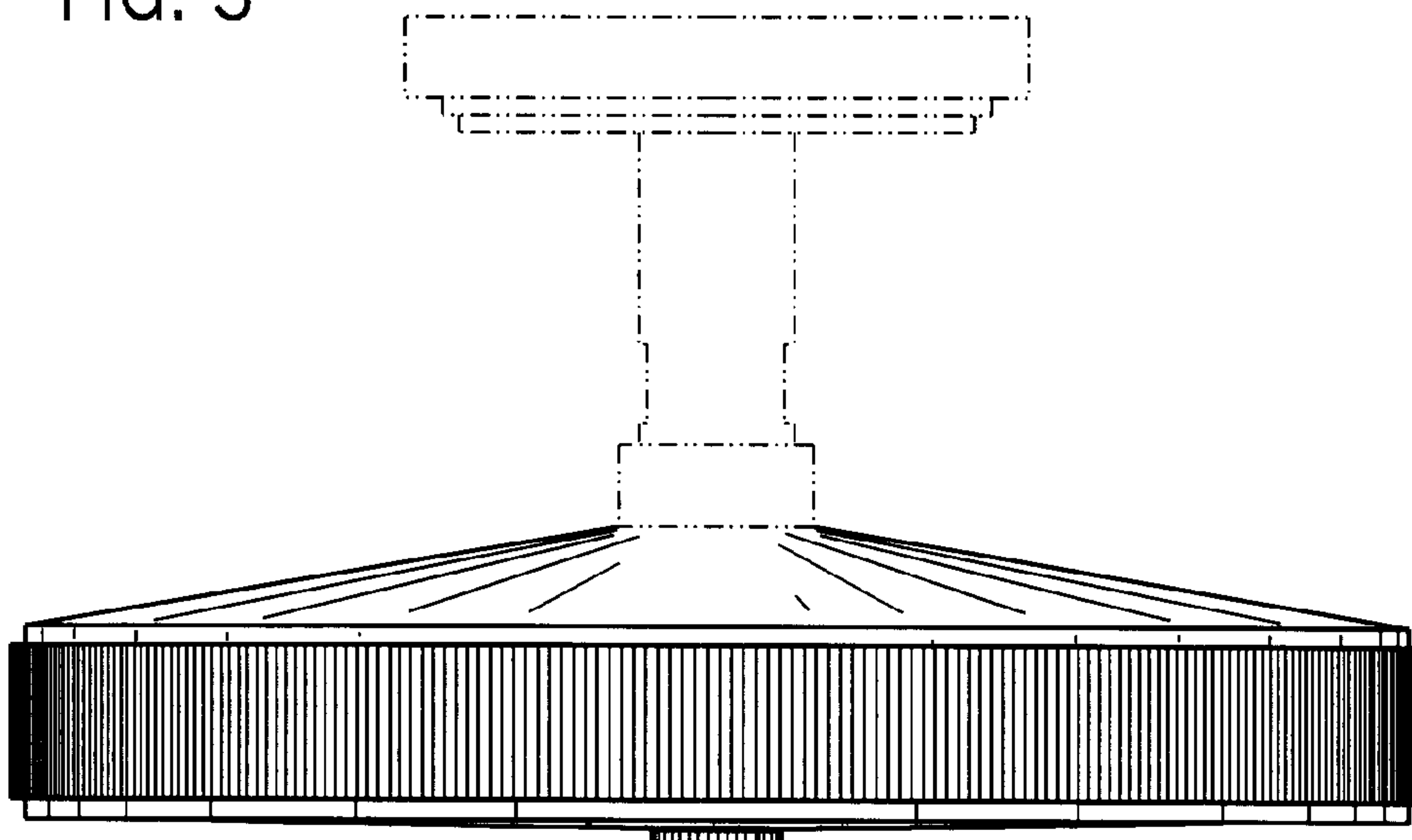


FIG. 4

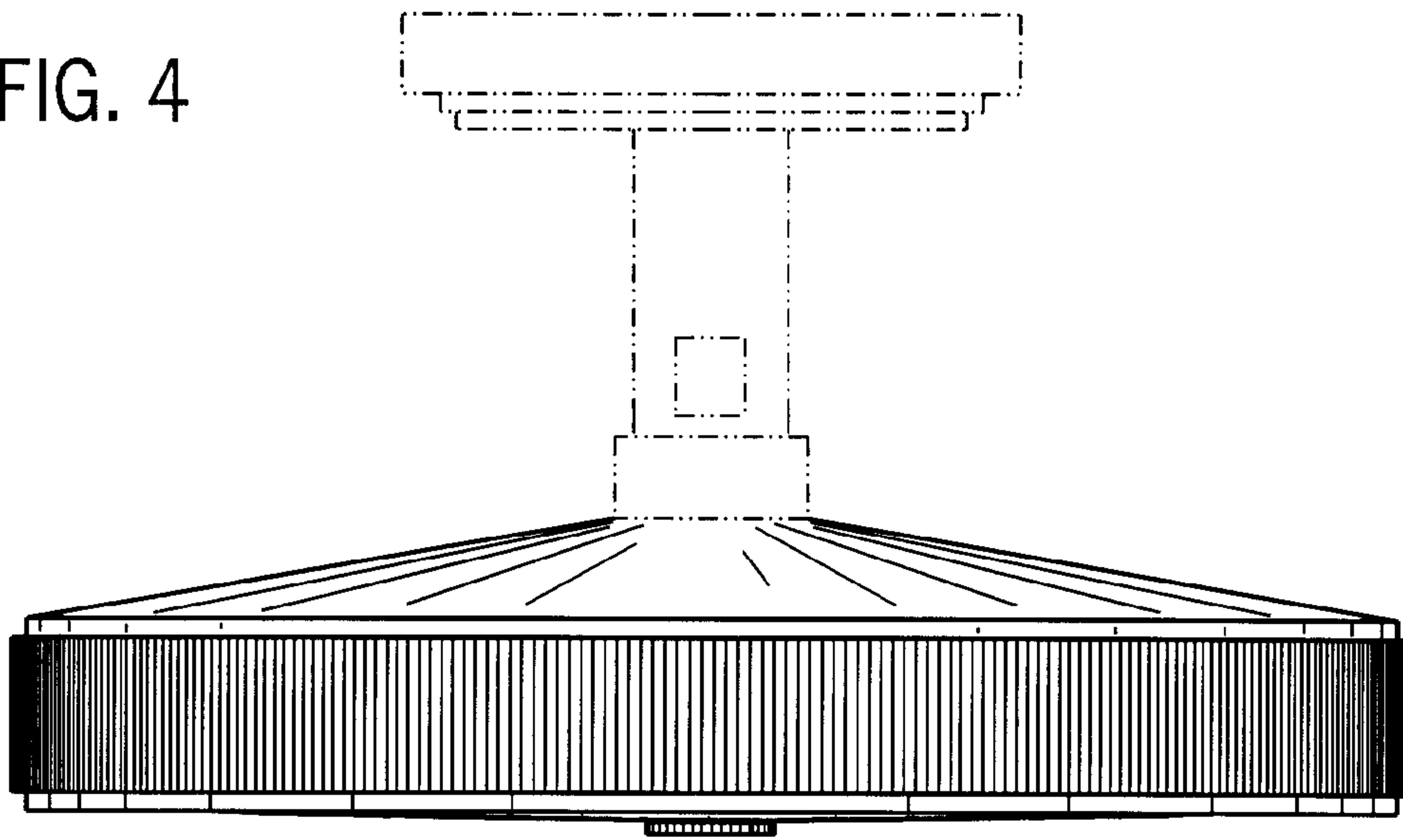
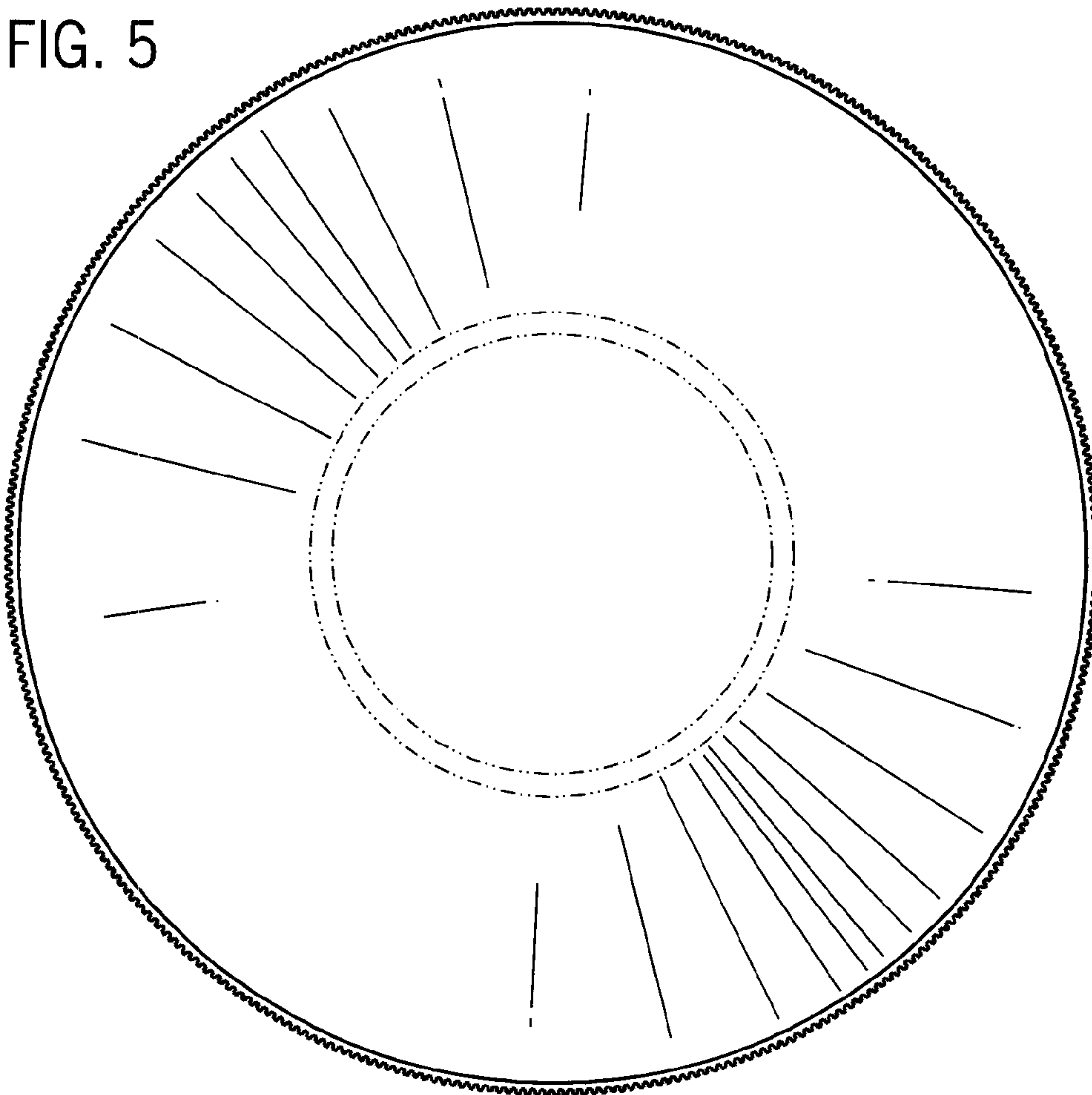


FIG. 5





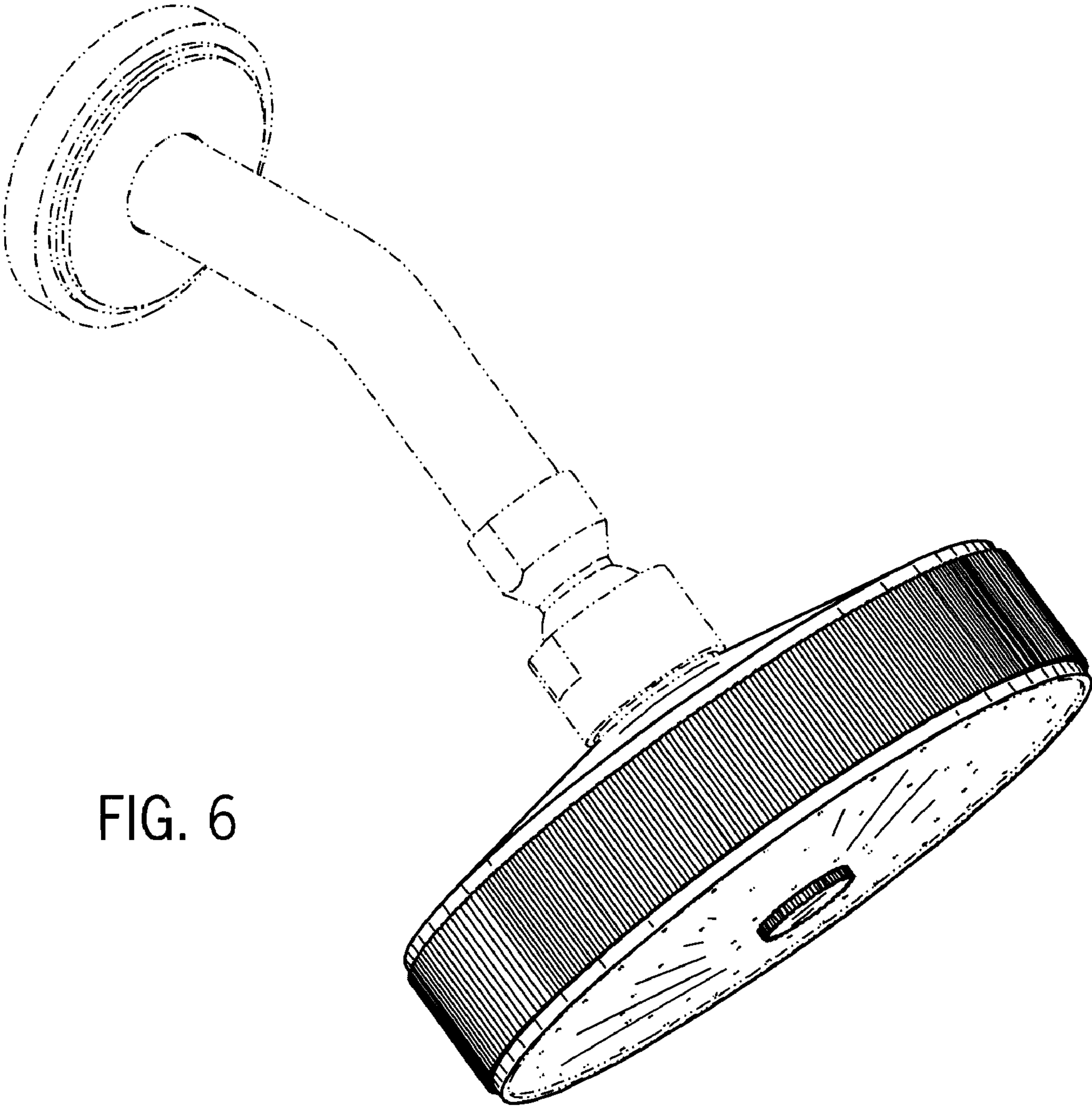


FIG. 6

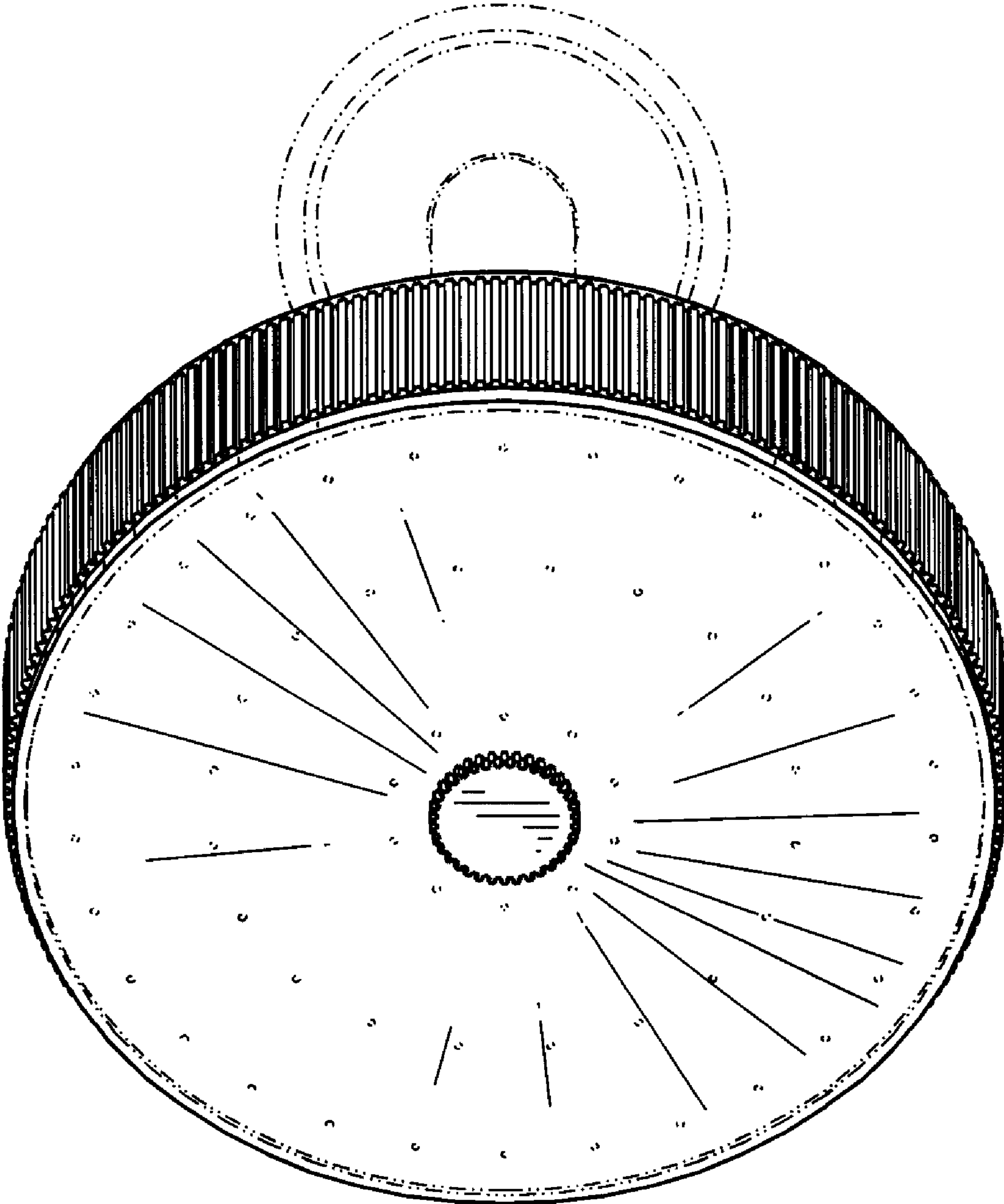


FIG. 7

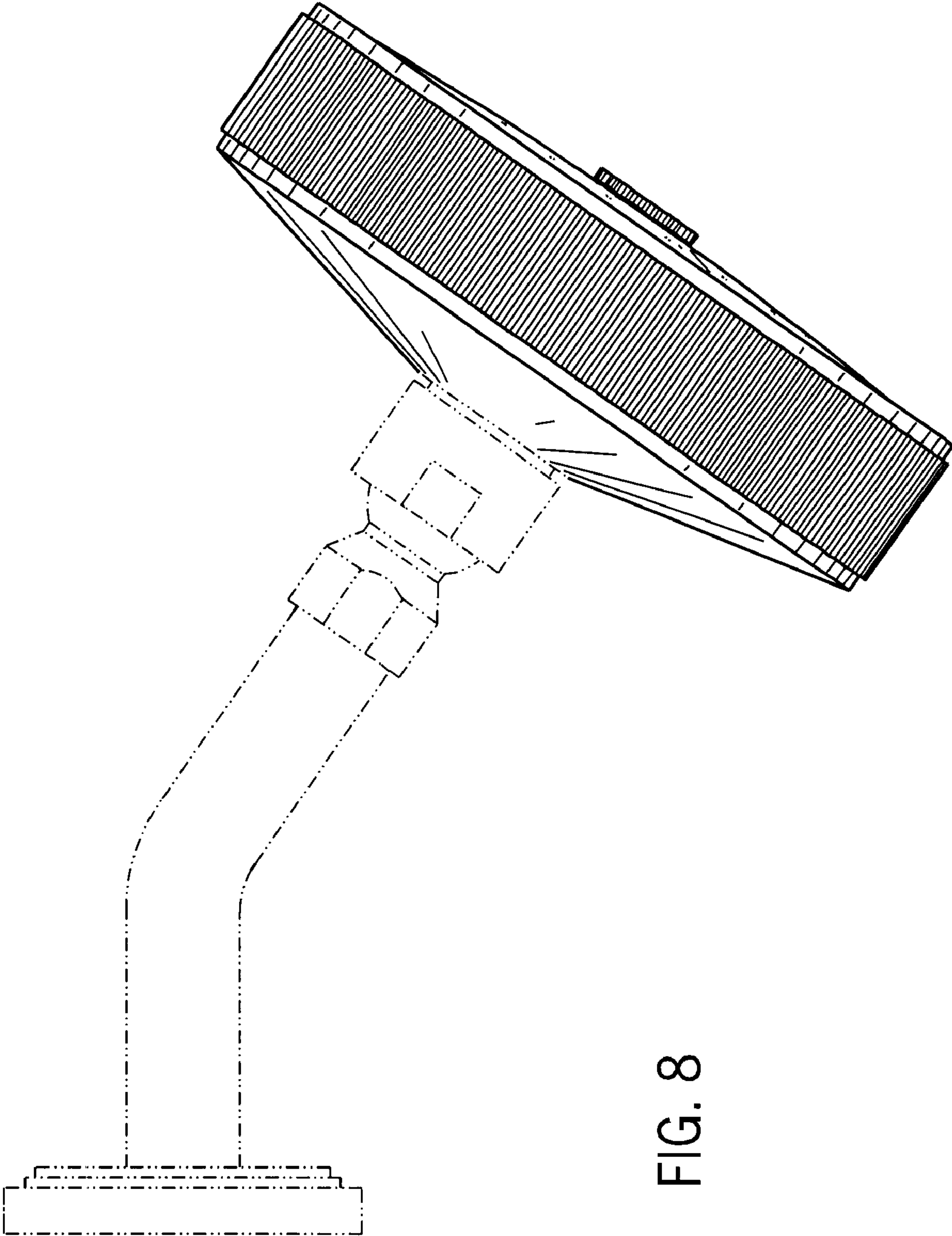


FIG. 8

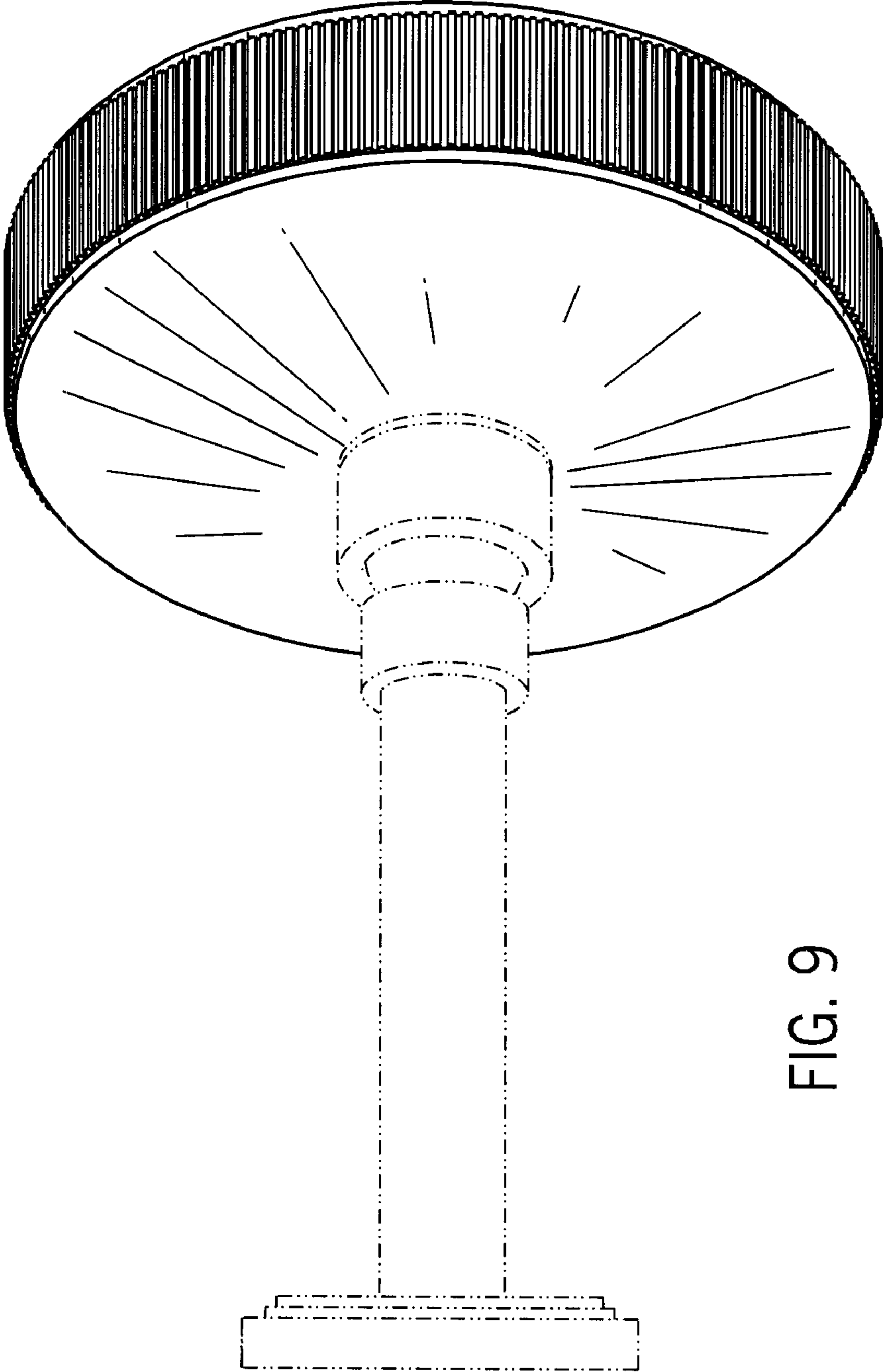


FIG. 9