

US00D540423S

(12) **United States Design Patent**
Burks et al.

(10) **Patent No.:** **US D540,423 S**

(45) **Date of Patent:** **** Apr. 10, 2007**

(54) **LP GAS BOTTLE WITH INTEGRAL TRANSPORT MECHANISM**

(76) Inventors: **Gene Burks**, 6308 W. IH-20, Weatherford, TX (US) 76088; **Kerry Ricketts**, 260 Valley La., Weatherford, TX (US) 76085; **Gabriel Rodriguez**, 260 Valley La., Weatherford, TX (US) 76085

(**) Term: **14 Years**

(21) Appl. No.: **29/234,677**

(22) Filed: **Jul. 21, 2005**

(51) **LOC (8) Cl.** **23-01**

(52) **U.S. Cl.** **D23/211.1**

(58) **Field of Classification Search** D23/200, D23/202, 205, 211, 211.1, 225; D3/316; D27/148; D12/218; 62/926; 220/565, 567.2; 222/175, 222/527

See application file for complete search history.

(56) **References Cited**

U.S. PATENT DOCUMENTS

D196,816 S	*	11/1963	Brody	D23/211
D243,530 S	*	3/1977	Bodine et al.	D23/205
4,629,098 A	*	12/1986	Eger	222/175
D288,586 S	*	3/1987	Moskalik	D23/225
D295,659 S	*	5/1988	Born	D23/225
D305,982 S	*	2/1990	Gillispie et al.	D23/211.1
D357,728 S	*	4/1995	Carano	D23/200

D381,393 S	*	7/1997	Carano	D23/200
D431,279 S	*	9/2000	Spiegel	D23/225
D525,792 S	*	8/2006	Leighton	D3/316
D529,577 S	*	10/2006	McGiveron	D23/225
D530,854 S	*	10/2006	Xu	D27/148
2004/0084485 A1	*	5/2004	Carlton	222/527

* cited by examiner

Primary Examiner—Mitchell Siegel

Assistant Examiner—Shanda C. Hill

(74) *Attorney, Agent, or Firm*—Charles D. Gunter, Jr.

(57) **CLAIM**

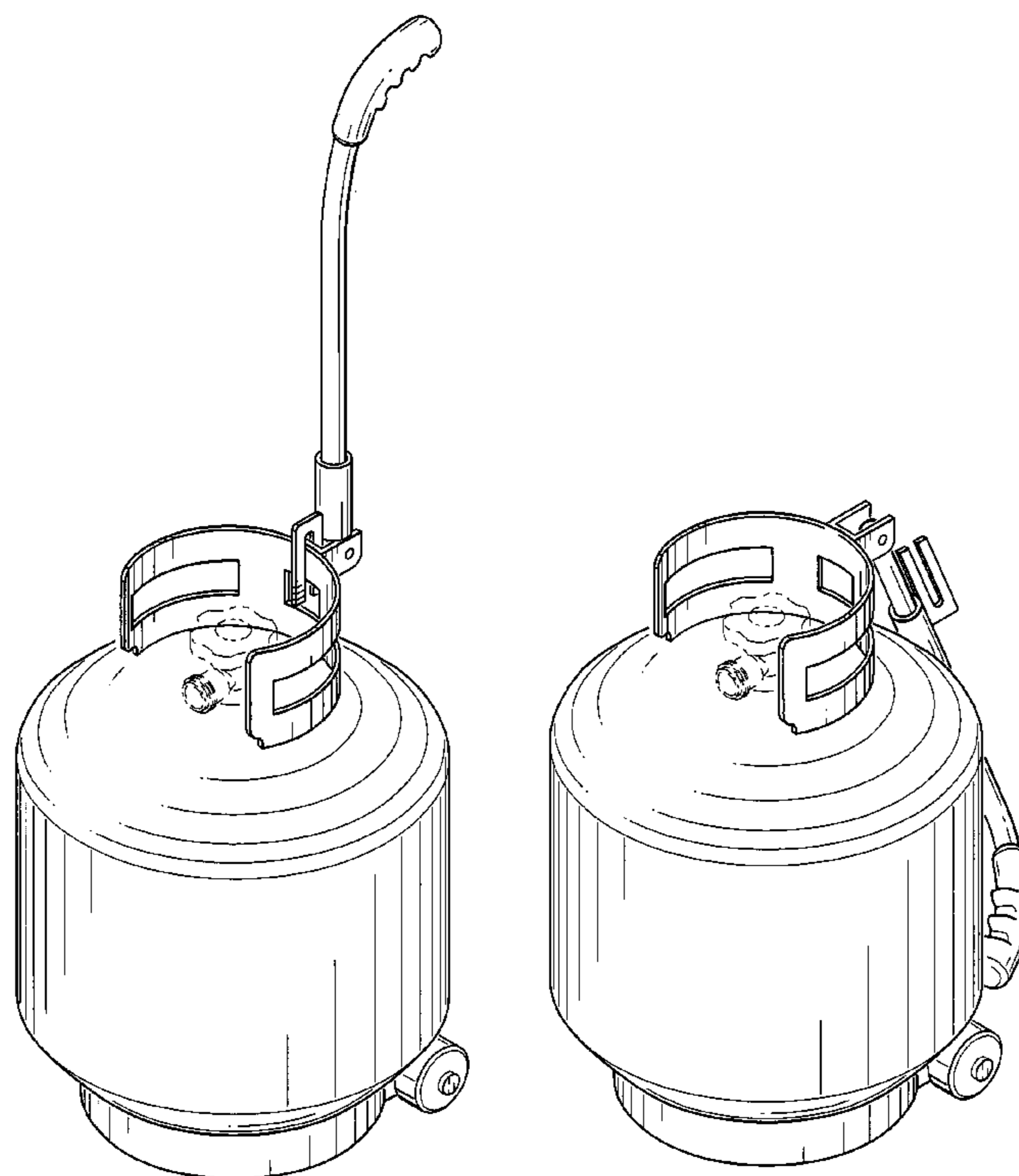
The ornamental design for a LP gas bottle with integral transport mechanism, as shown and described.

DESCRIPTION

FIG. 1 is a front perspective view of a LP gas bottle with integral transport mechanism showing our new design; FIG. 2 is a front view thereof; FIG. 3 is a left side view thereof, wherein the right side view is a mirror image; FIG. 4 is a rear view thereof; FIG. 5 is a top view thereof; FIG. 6 is a bottom view thereof; and, FIG. 7 is a front perspective view of FIG. 1 shown with the handle in an alternate position.

The broken lines shown in the drawing disclosure are for illustrative purposes only and form no part of the claimed design.

1 Claim, 6 Drawing Sheets



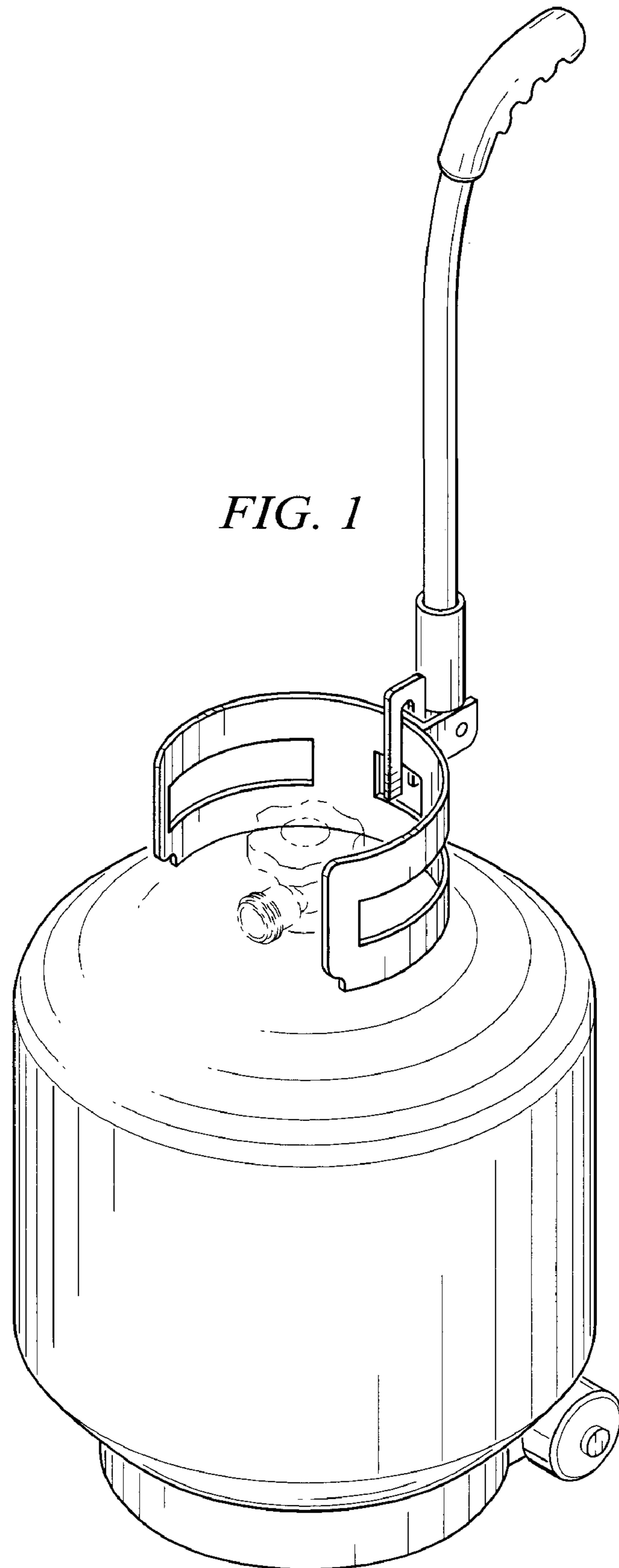


FIG. 1

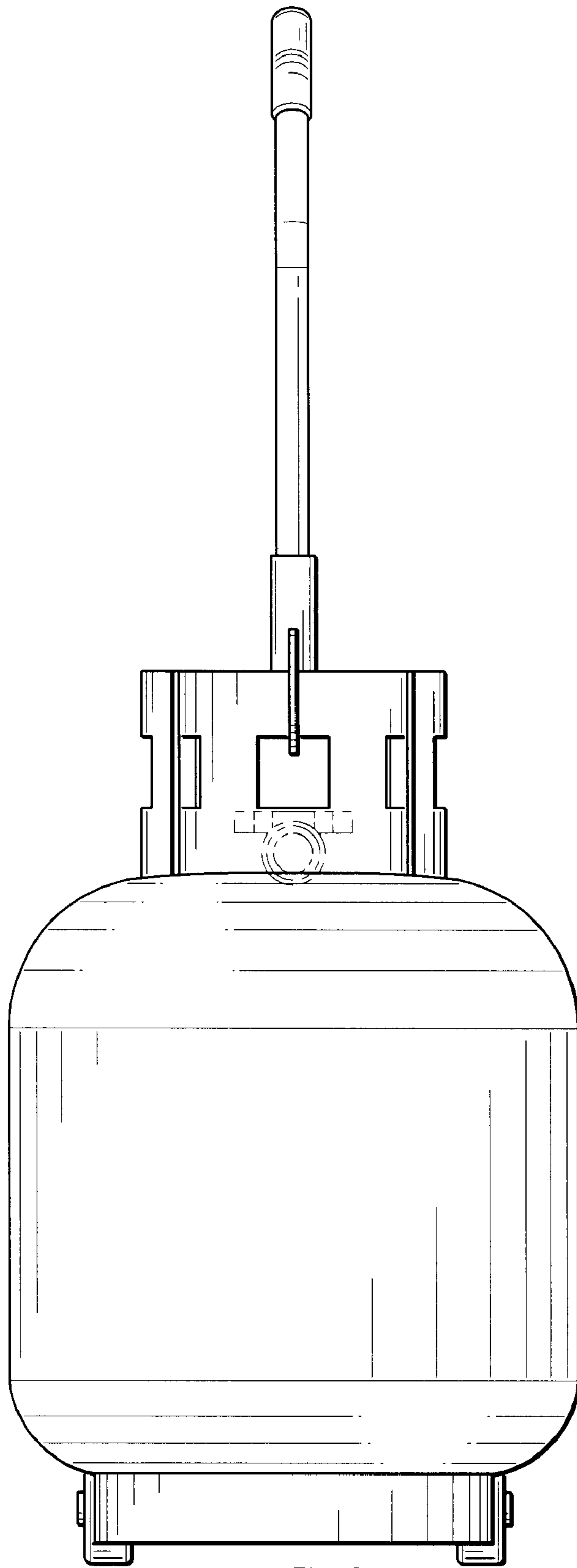


FIG. 2

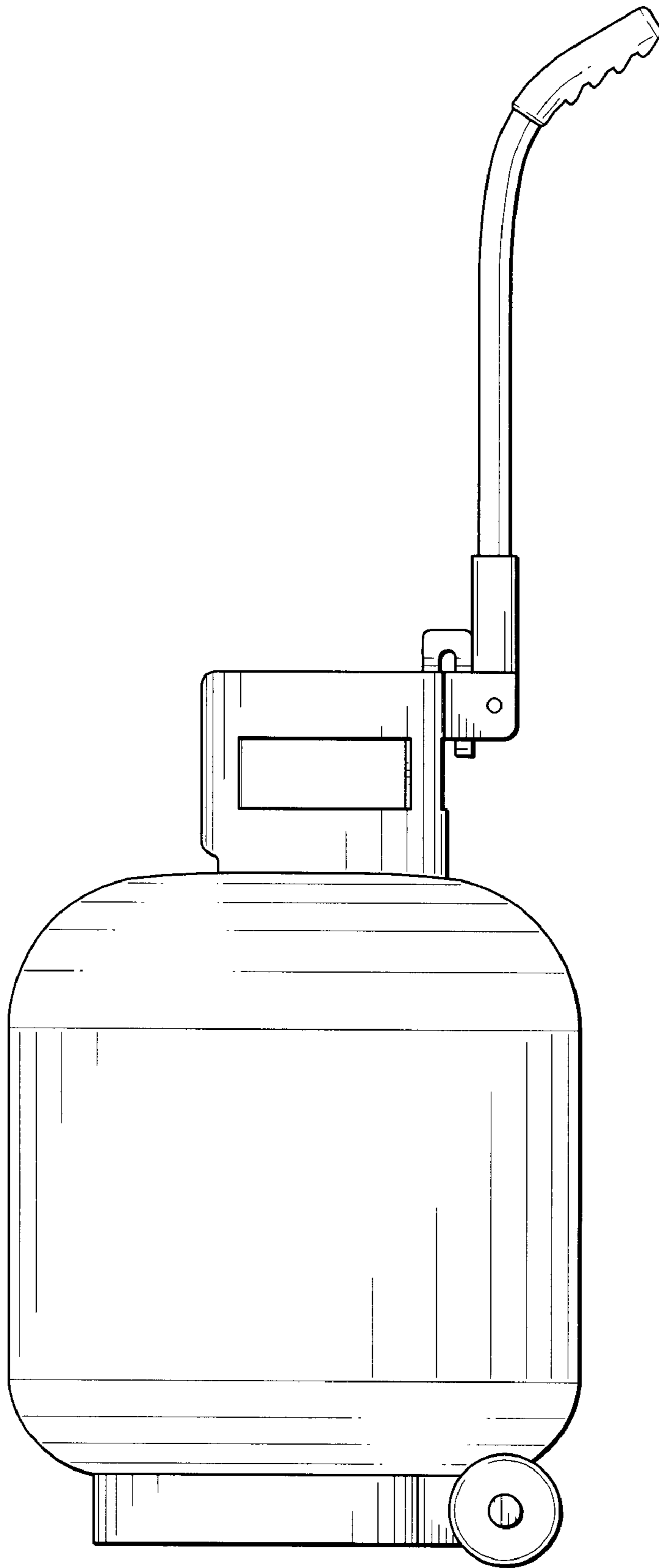


FIG. 3

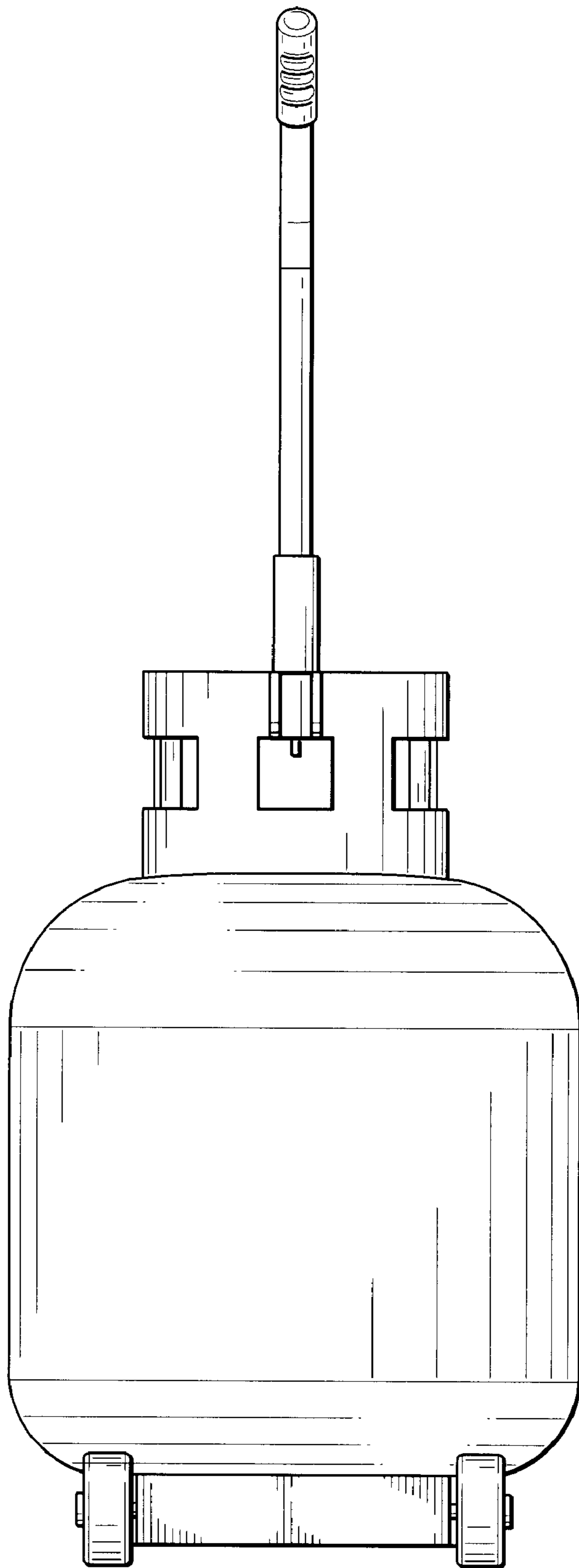


FIG. 4

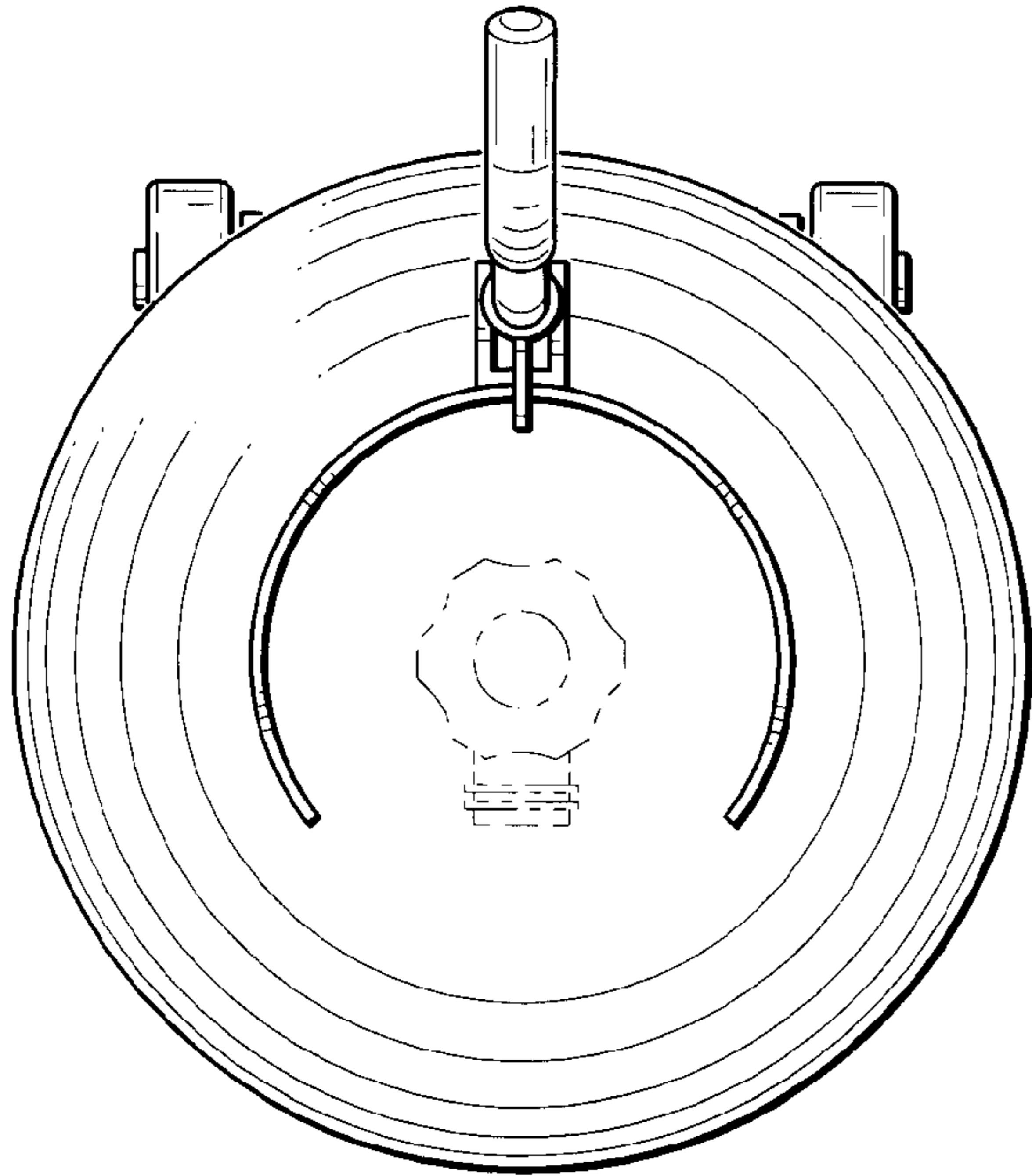


FIG. 5

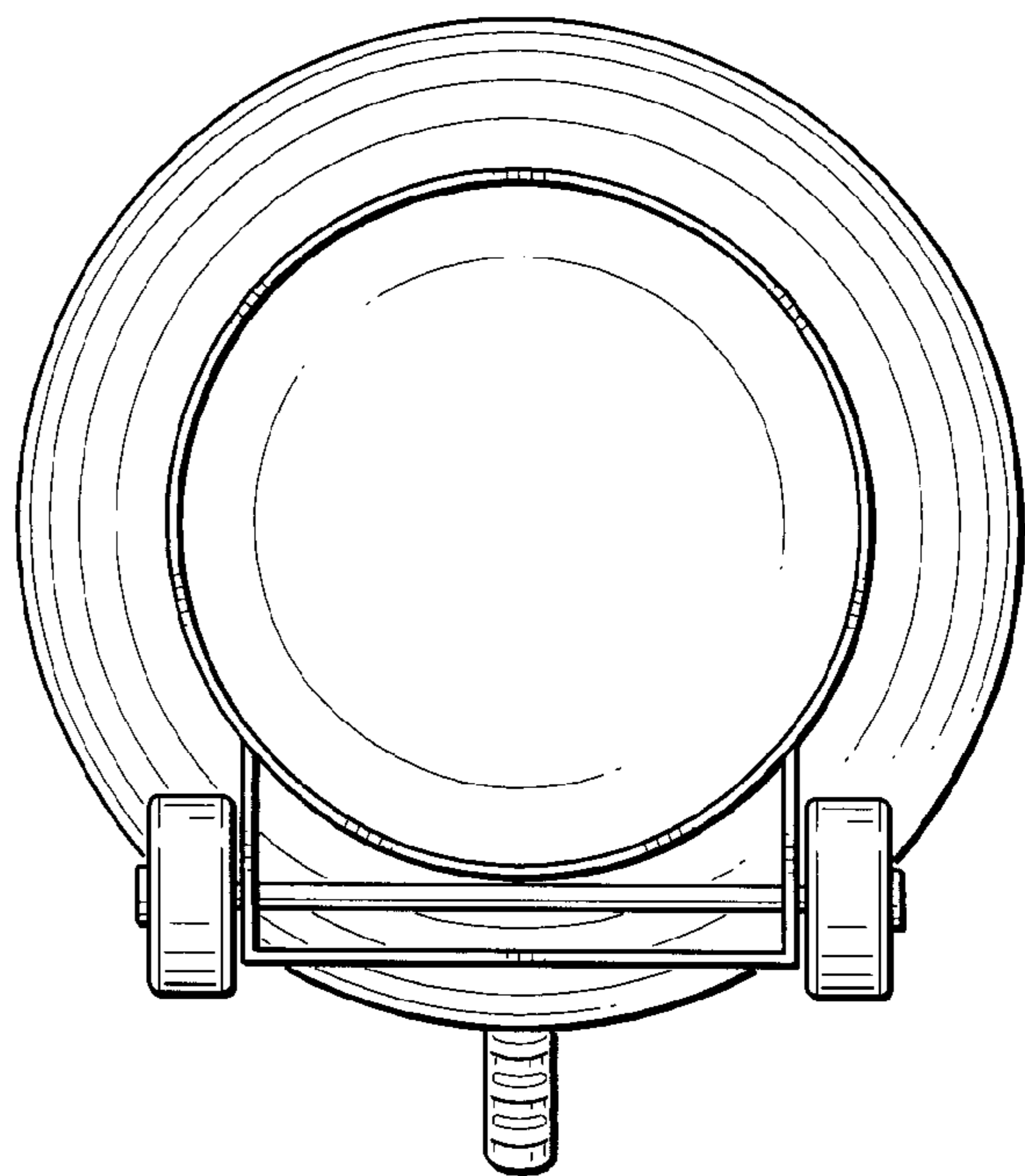


FIG. 6

FIG. 7

