



US00D540419S

(12) **United States Design Patent**
Nago

(10) **Patent No.:** **US D540,419 S**

(45) **Date of Patent:** **** Apr. 10, 2007**

(54) **FISHING REEL**

(75) Inventor: **Akira Nago**, Sakai (JP)

(73) Assignee: **Shimano Inc.**, Osaka (JP)

(**) Term: **14 Years**

(21) Appl. No.: **29/259,684**

(22) Filed: **May 15, 2006**

(30) **Foreign Application Priority Data**

Nov. 17, 2005 (JP) 2005-033917

(51) **LOC (8) Cl.** **22-06**

(52) **U.S. Cl.** **D22/140**

(58) **Field of Classification Search** D22/137–142;
43/20–24; 242/311, 318, 322, 390, 370, 223–224,
242/234–240

See application file for complete search history.

(56) **References Cited**

U.S. PATENT DOCUMENTS

D394,896 S	*	6/1998	Asano et al.	D22/140
D436,645 S	*	1/2001	Kim et al.	D22/140
D447,787 S	*	9/2001	Smith et al.	D22/140
D452,292 S	*	12/2001	Kim et al.	D22/140
D502,754 S	*	3/2005	Tao	D22/140

* cited by examiner

Primary Examiner—Catherine R. Oliver

(74) *Attorney, Agent, or Firm*—Global IP Counselors, LLP

(57) **CLAIM**

The ornamental design for a fishing reel, as shown and described.

DESCRIPTION

FIG. 1 is a first perspective view of a fishing reel in accordance with my new design;

FIG. 2 is a second perspective view of the fishing reel in accordance with my new design;

FIG. 3 is a third perspective view of the fishing reel in accordance with my new design;

FIG. 4 is a first side elevational view of the fishing reel in accordance with my new design;

FIG. 5 is a second side elevational view of the fishing reel in accordance with my new design;

FIG. 6 is a top plan view of the fishing reel in accordance with my new design;

FIG. 7 is a bottom plan view of the fishing reel in accordance with my new design;

FIG. 8 is a right end elevational view of the fishing reel in accordance with my new design;

FIG. 9 is a left end elevational view of the fishing reel in accordance with my new design;

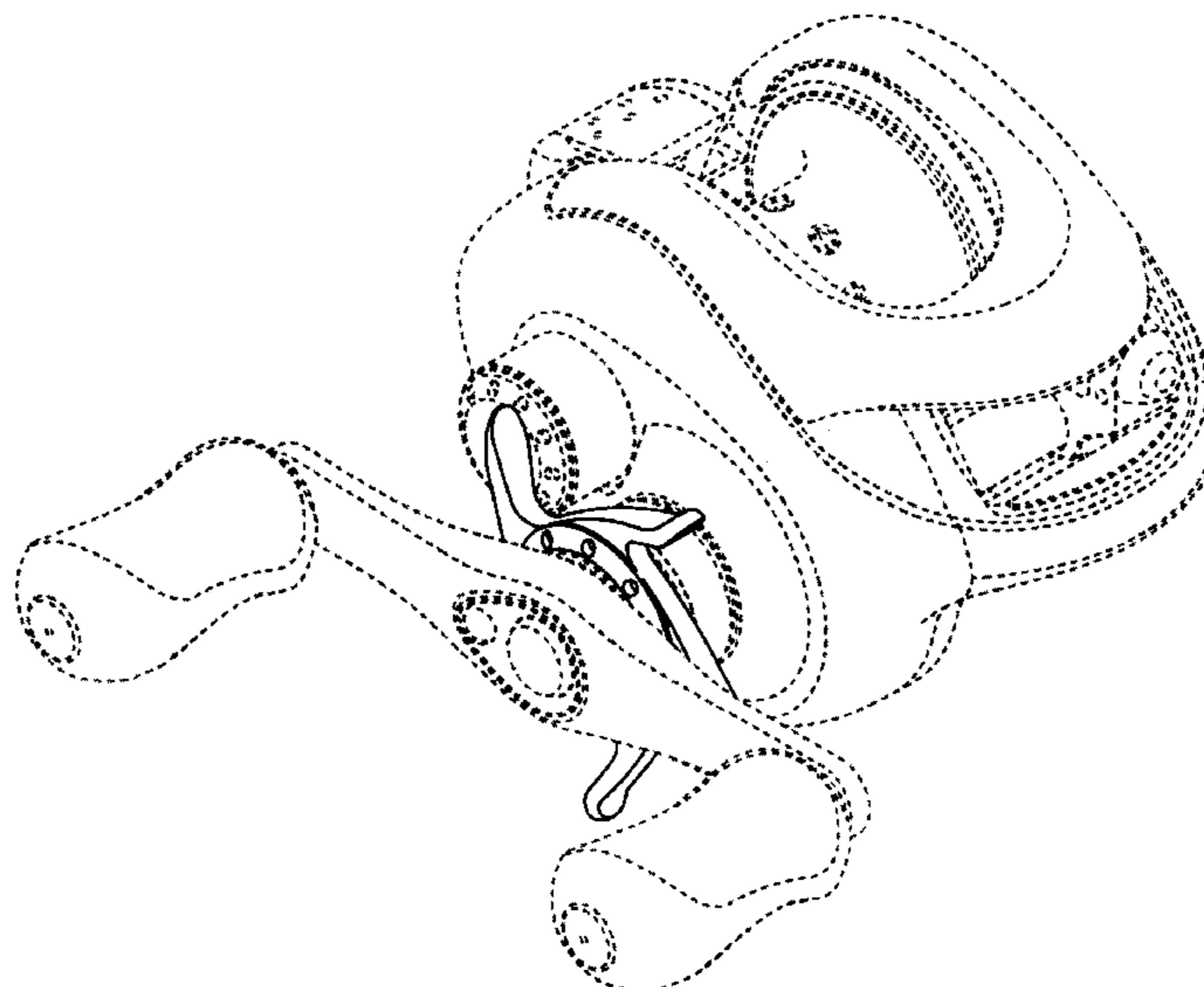
FIG. 10 is an enlarged, cross sectional view of the fishing reel in accordance with my new design as seen along section line 10—10 of FIG. 6;

FIG. 11 is an enlarged, cross sectional view of the fishing reel in accordance with my new design as seen along section line 11—11 of FIG. 6; and,

FIG. 12 is an enlarged, cross sectional view of the fishing reel in accordance with my new design as seen along section line 12—12 of FIG. 6.

The broken line showing of environment (the remaining structure of the fishing reel) in the Figures is for illustrative purposes only and forms no part of the claimed design.

1 Claim, 7 Drawing Sheets



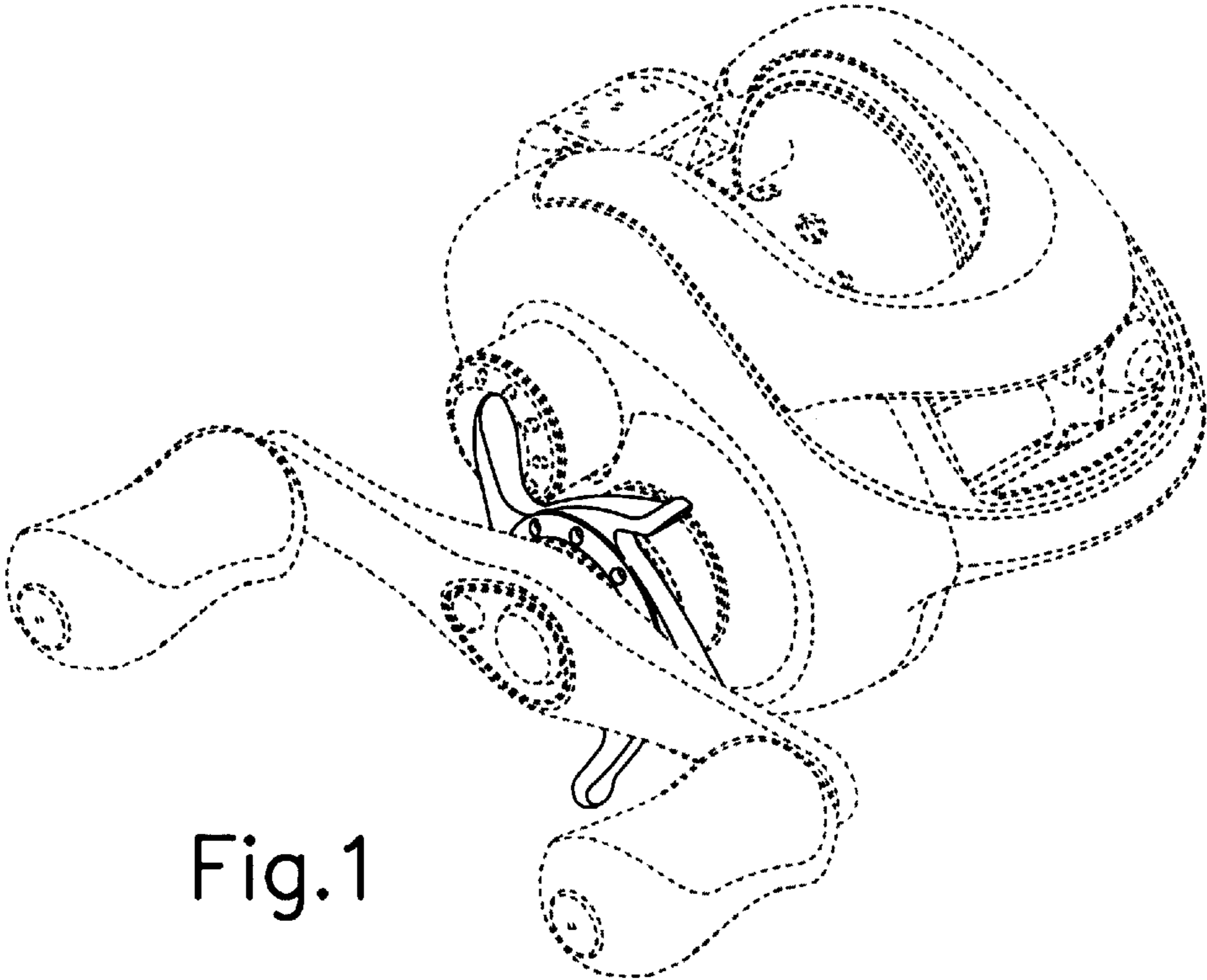


Fig.1

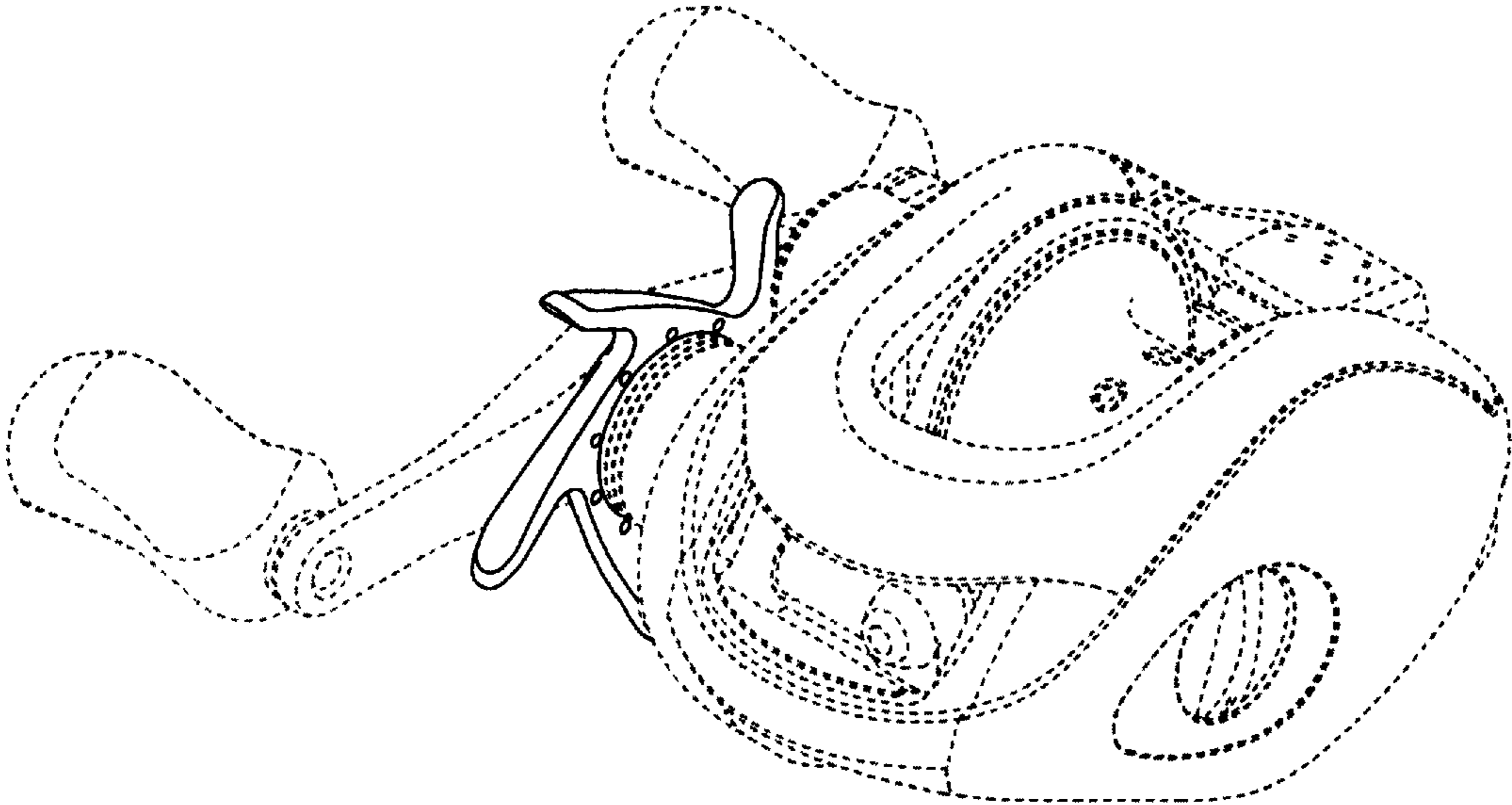


Fig.2

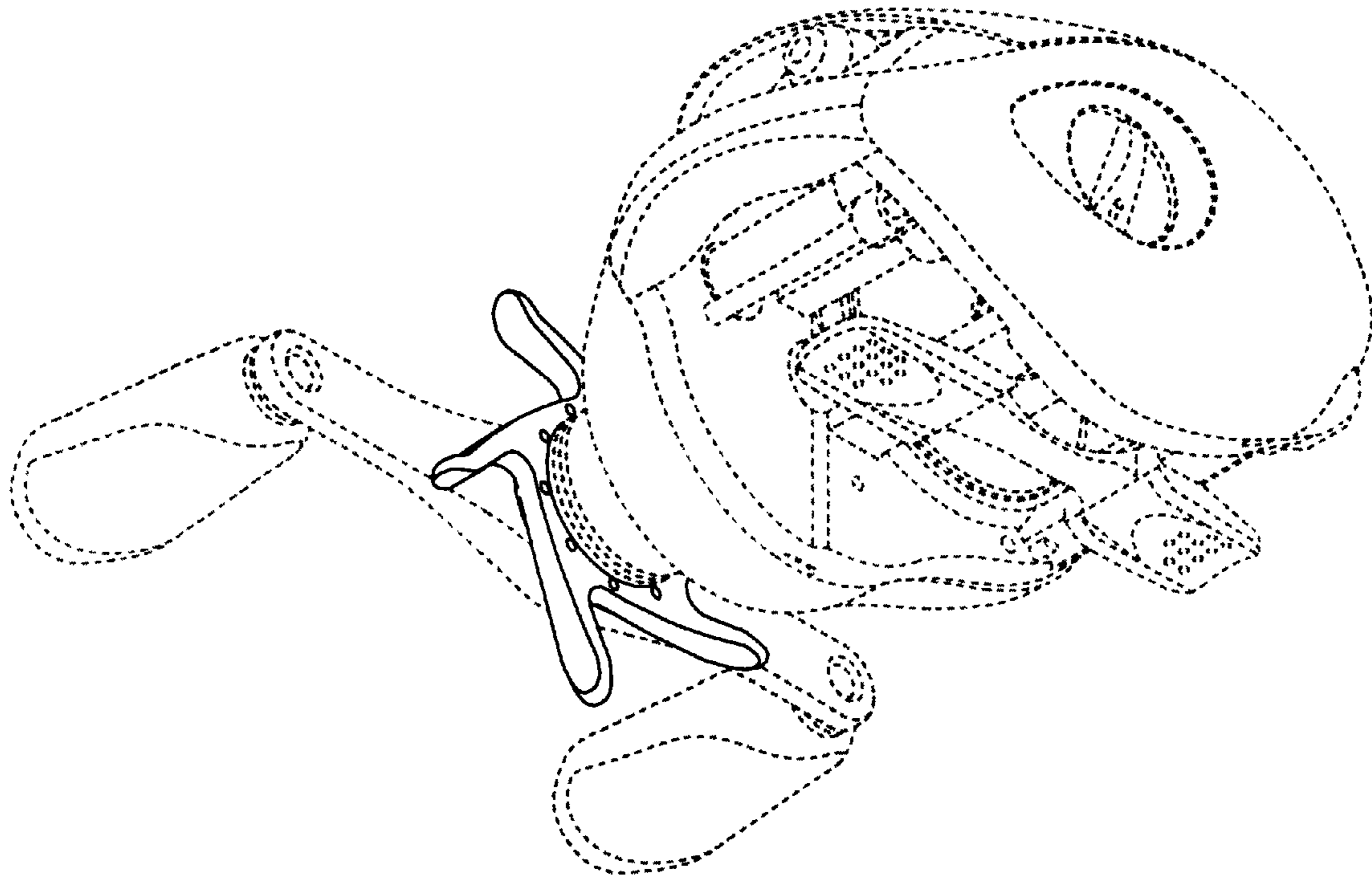


Fig.3

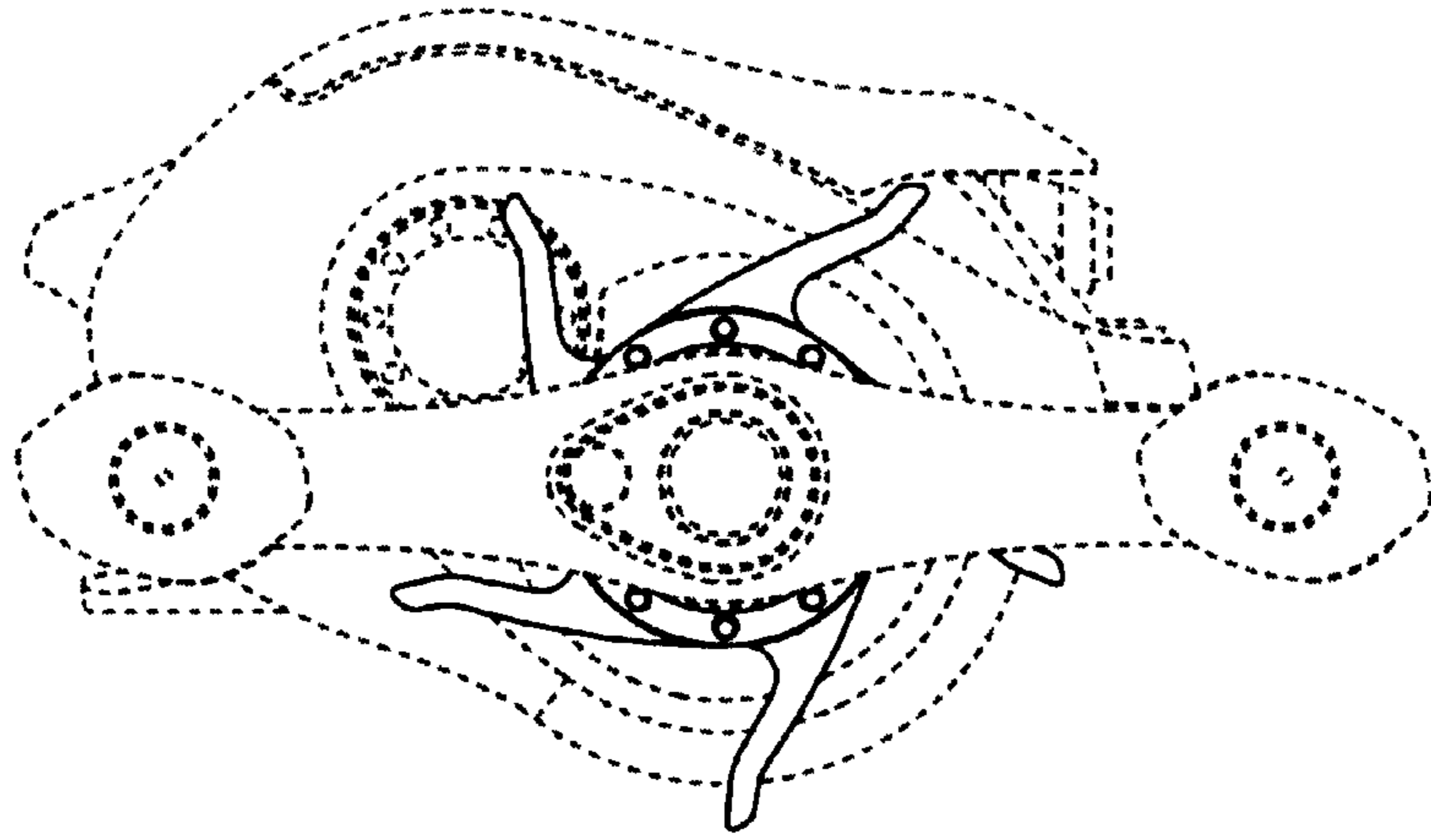


Fig. 4

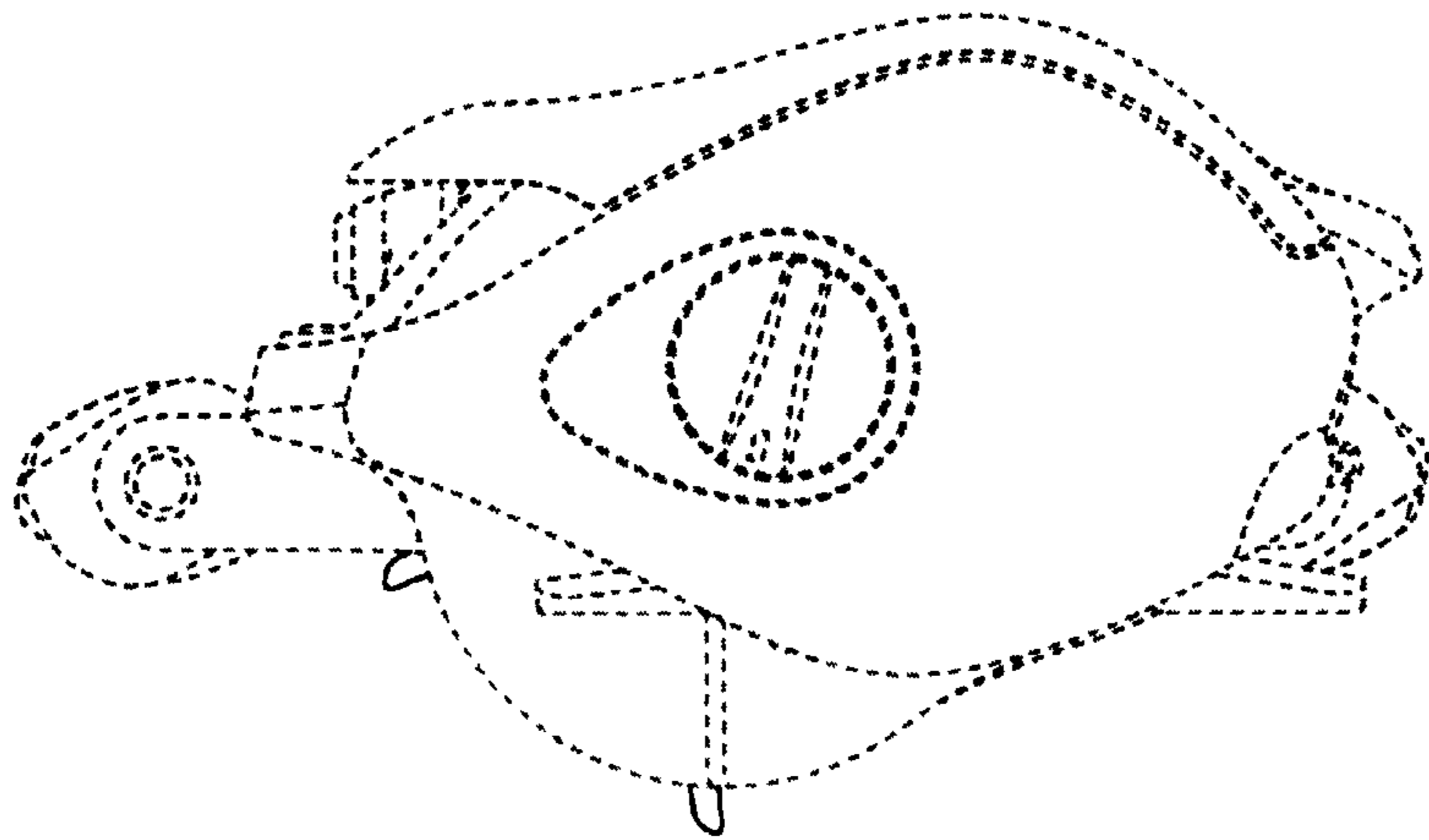


Fig. 5

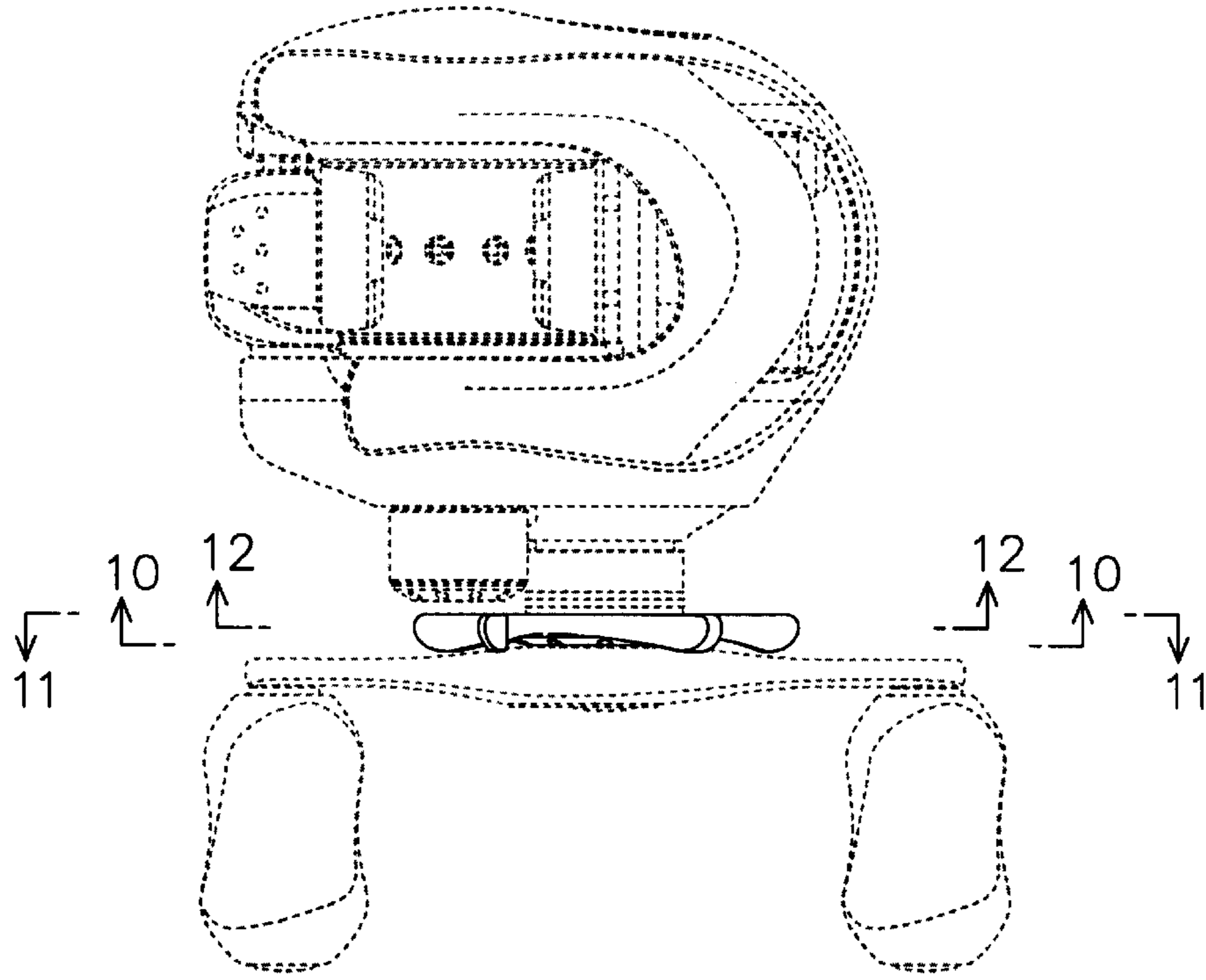


Fig. 6

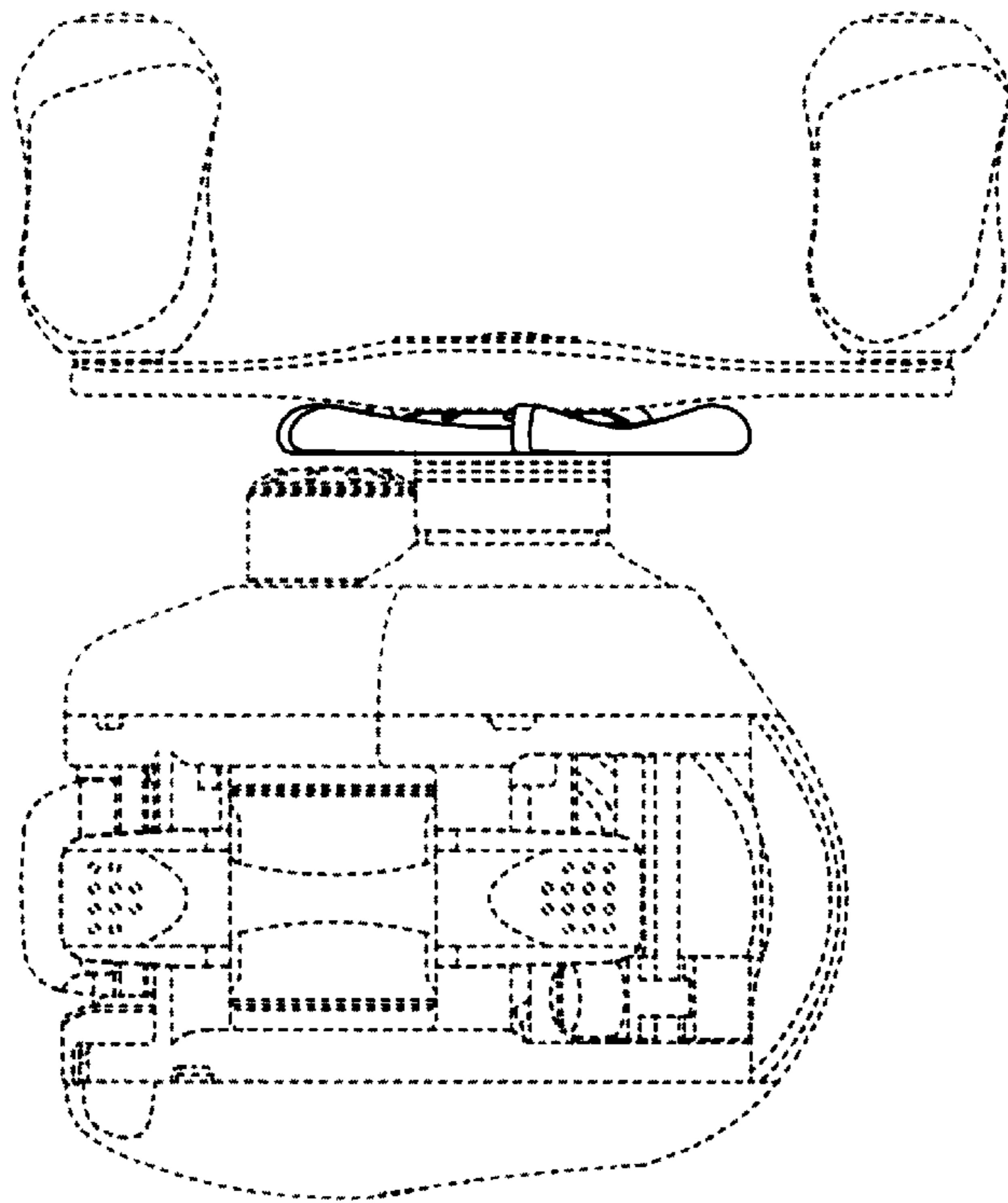


Fig. 7

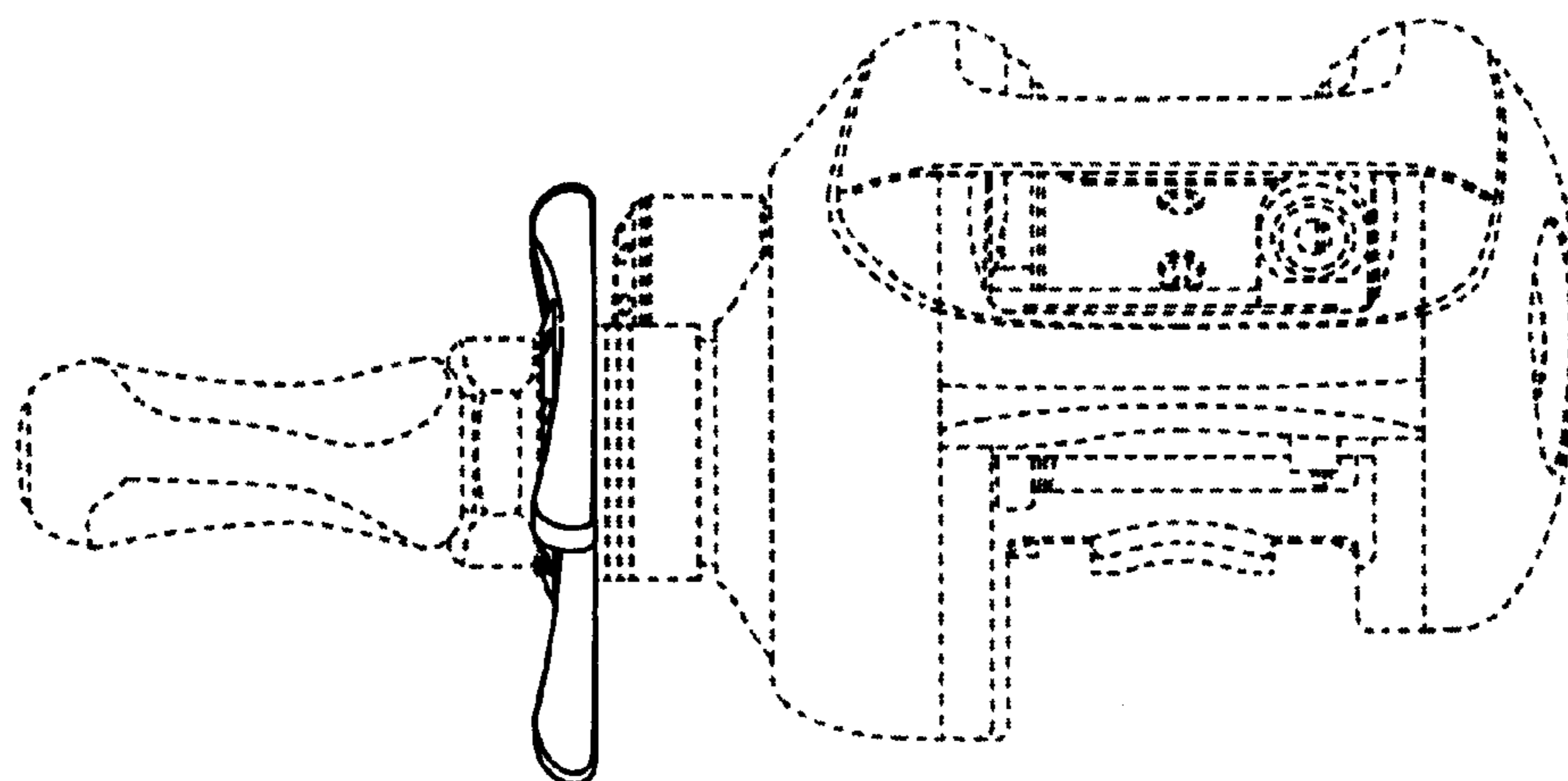


Fig. 8

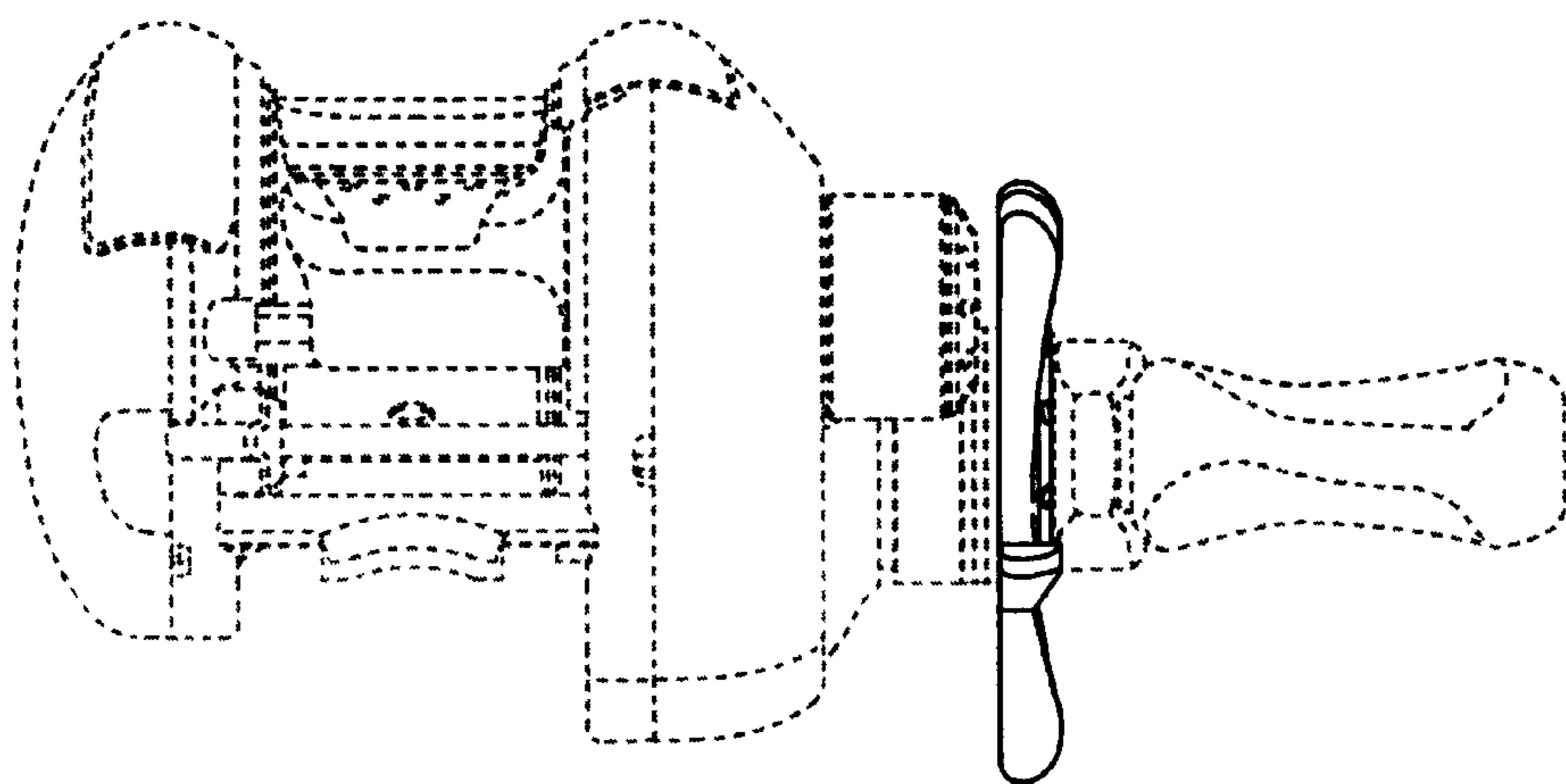


Fig. 9

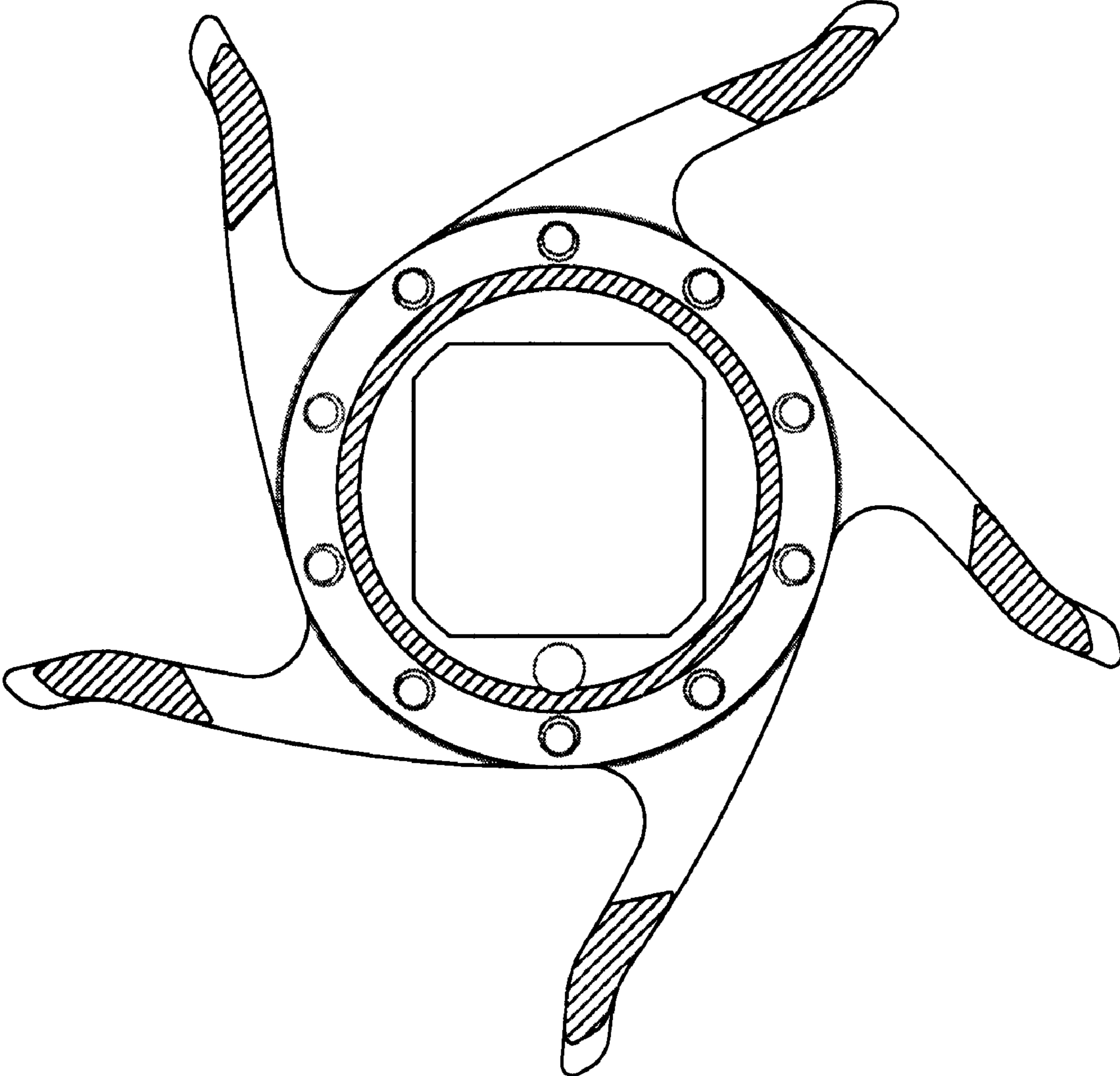


Fig.10

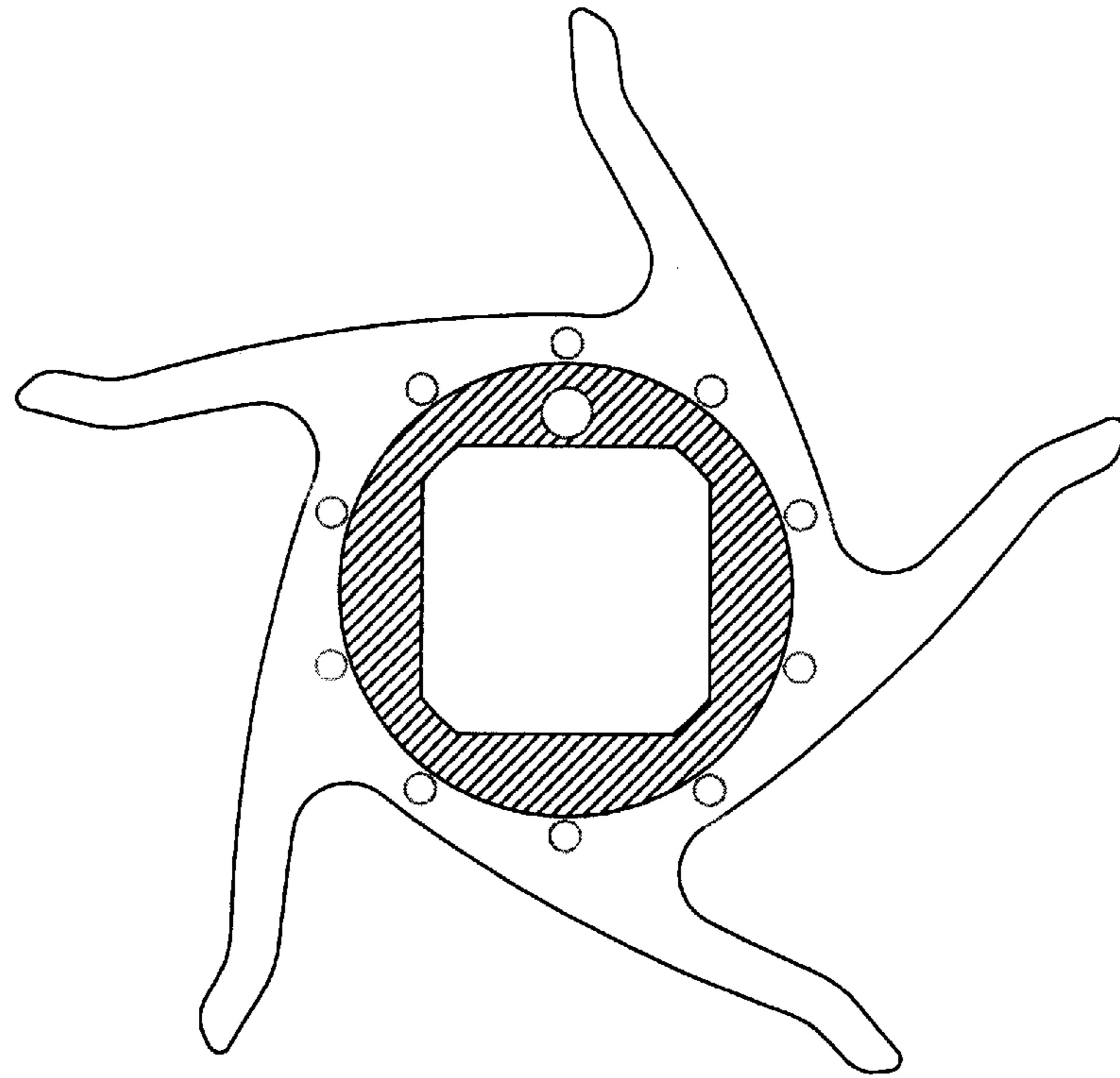


Fig.11

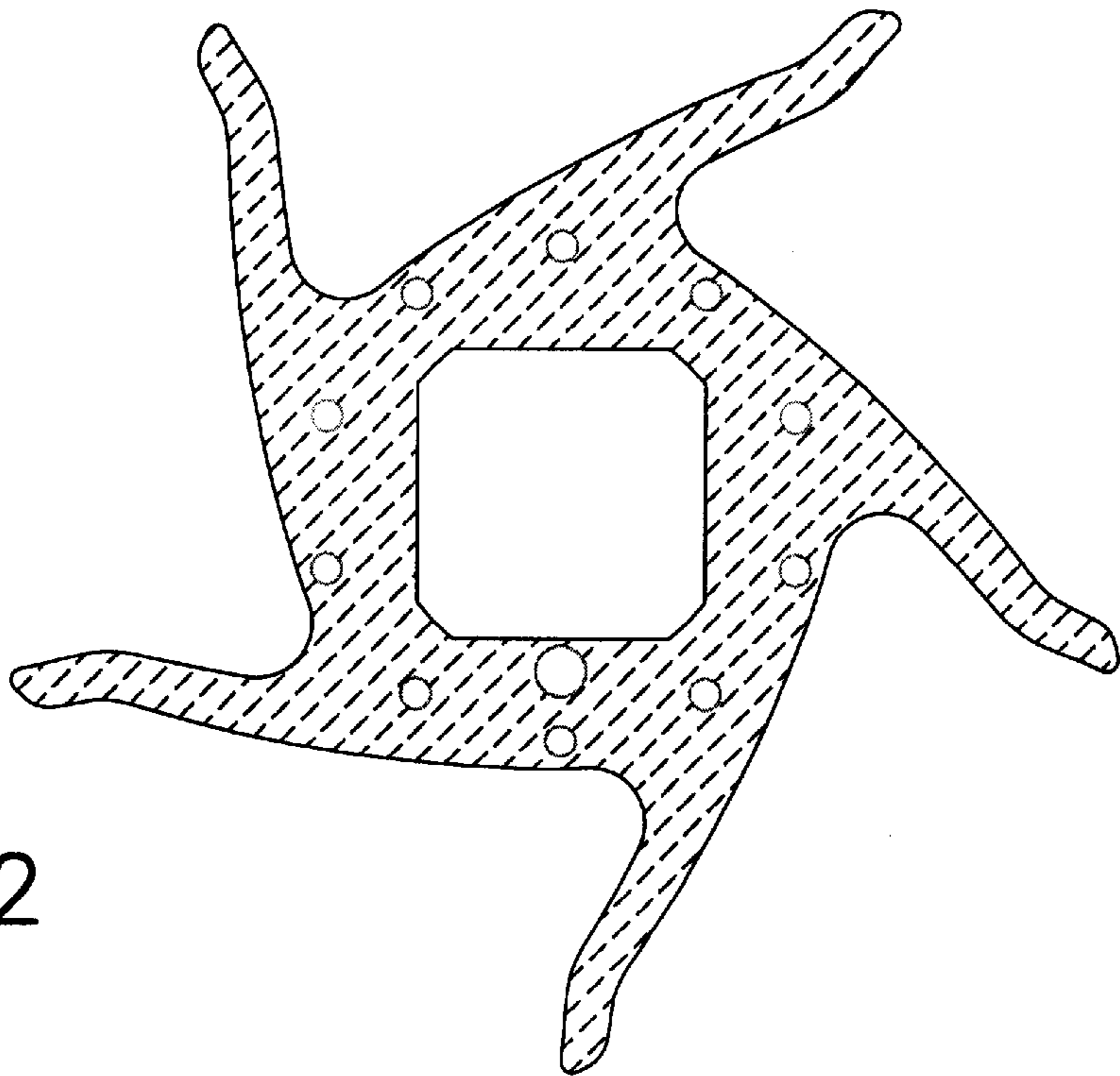


Fig.12