



US00D540417S

(12) **United States Design Patent**
Kunz

(10) **Patent No.:** **US D540,417 S**

(45) **Date of Patent:** **** Apr. 10, 2007**

(54) **DICE FISHING LURE**

(76) Inventor: **Mark Kunz**, 3 Cedarwood Ct., St. Peters, MO (US) 63376

(**) Term: **14 Years**

(21) Appl. No.: **29/236,438**

(22) Filed: **Aug. 16, 2005**

(51) **LOC (8) Cl.** **22-05**

(52) **U.S. Cl.** **D22/130**

(58) **Field of Classification Search** D22/126–133;
43/42.2, 42.5, 42.11, 42.13, 42.14, 42.17,
43/42.15, 42.32, 42.34

See application file for complete search history.

(56) **References Cited**

U.S. PATENT DOCUMENTS

D187,795 S * 5/1960 Persson D22/130

D398,036 S * 9/1998 Berryman D22/129

6,082,037 A * 7/2000 Malouf et al. 43/42.14
D450,803 S * 11/2001 Kordish D22/130

* cited by examiner

Primary Examiner—Catherine R. Oliver

(74) *Attorney, Agent, or Firm*—Thompson Coburn LLP

(57) **CLAIM**

The ornamental design for a dice fishing lure, as shown and described.

DESCRIPTION

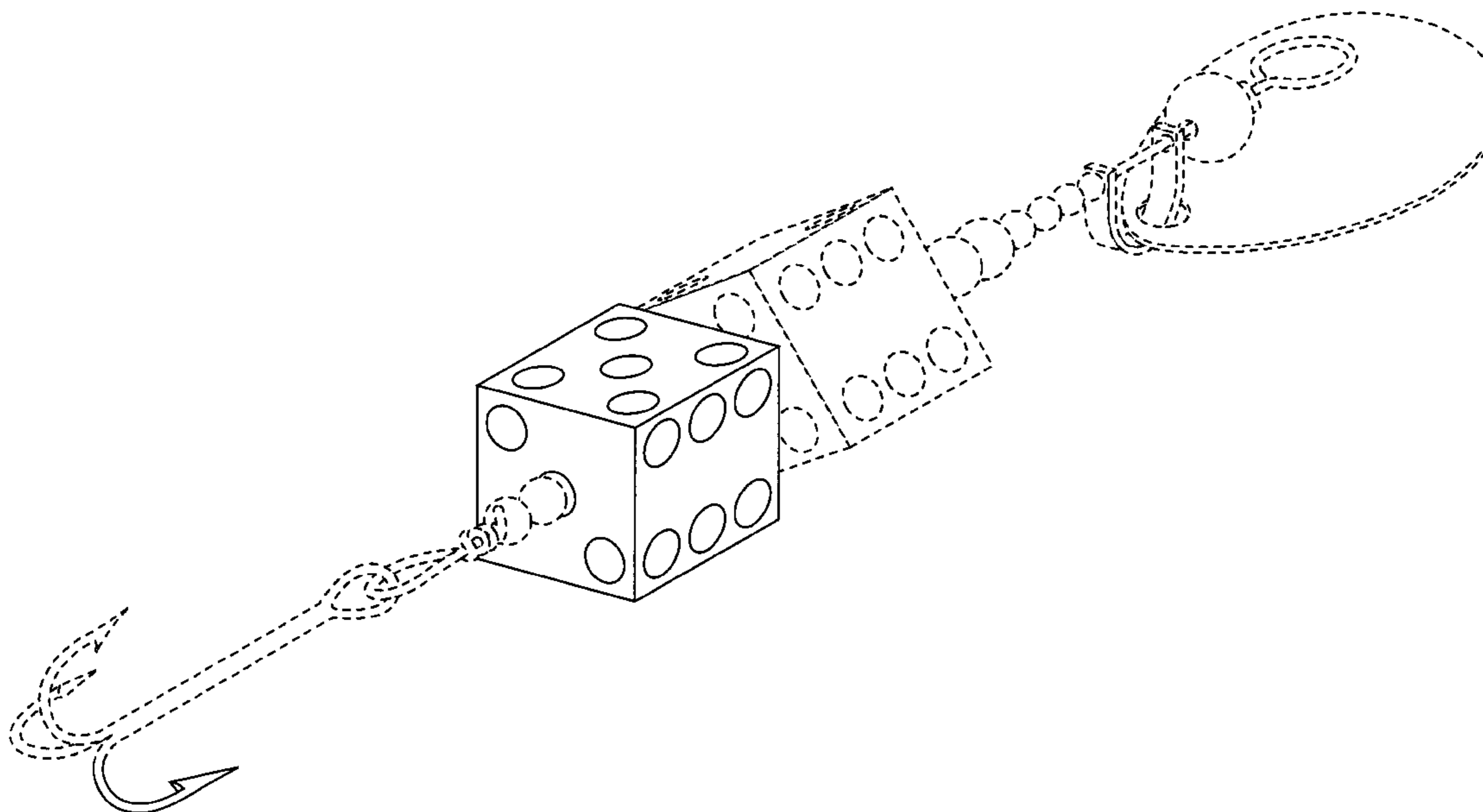
FIG. 1 is a perspective view of the dice fishing lure showing my new design;

FIG. 2 is a side elevation view thereof; and,

FIG. 3 is another perspective view thereof.

Broken lines shown in the drawings represent the environment of the hook and first die of the preferred embodiment and do not form part of the claimed design.

1 Claim, 3 Drawing Sheets



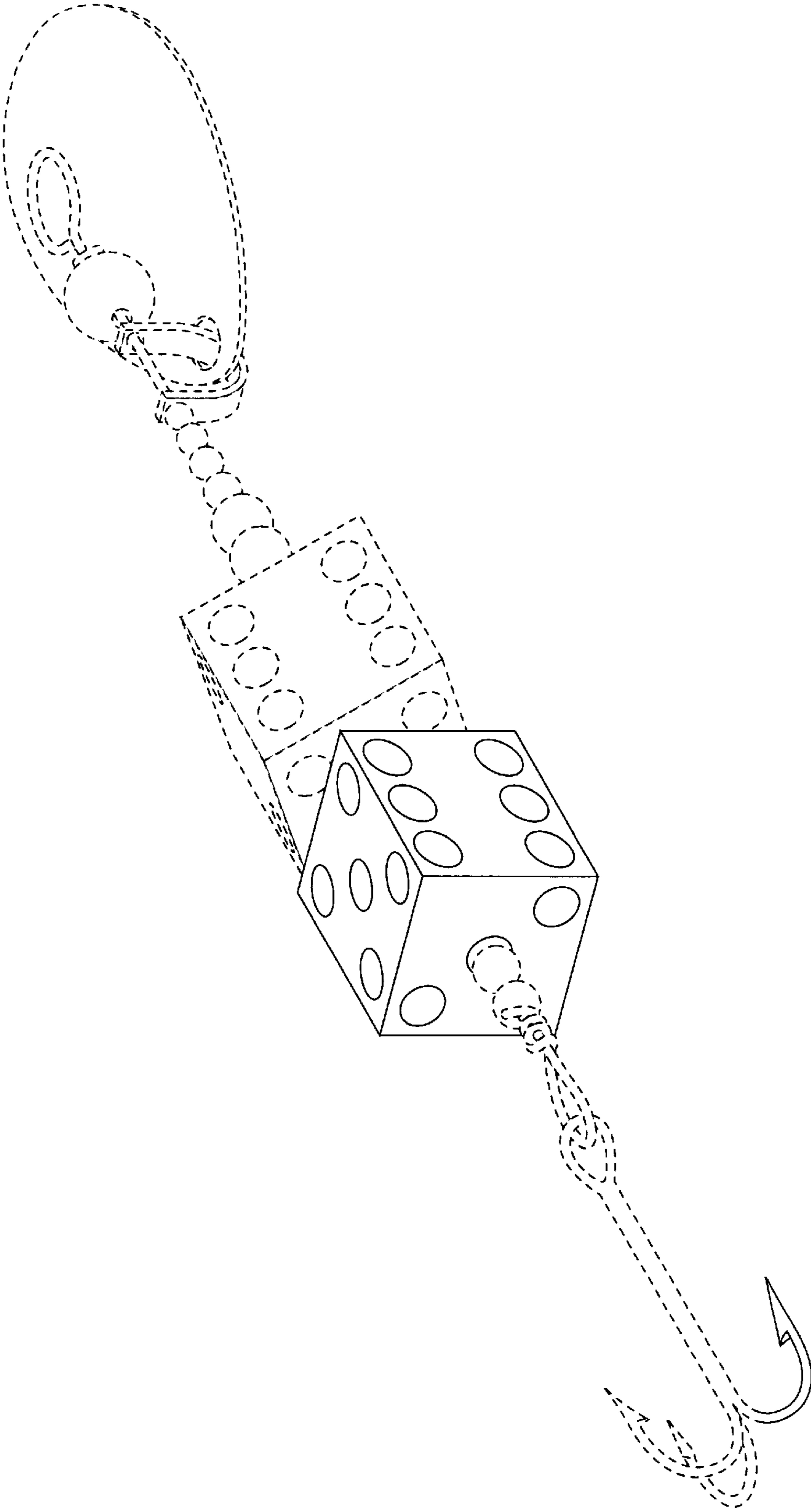


Figure 1

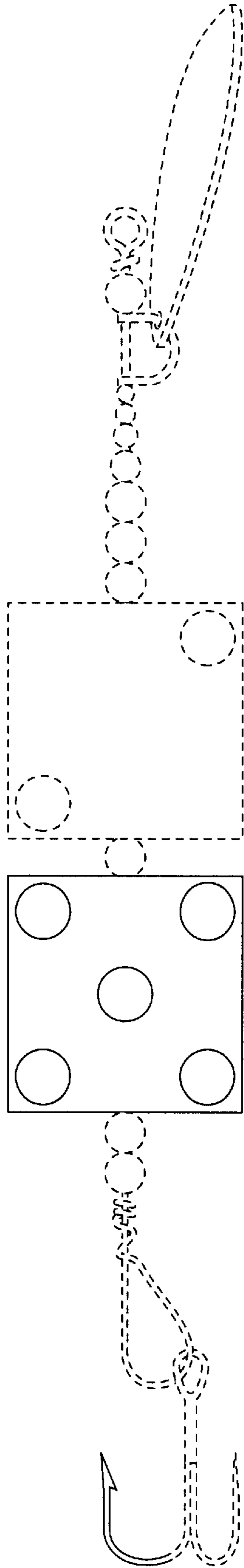


Figure 2

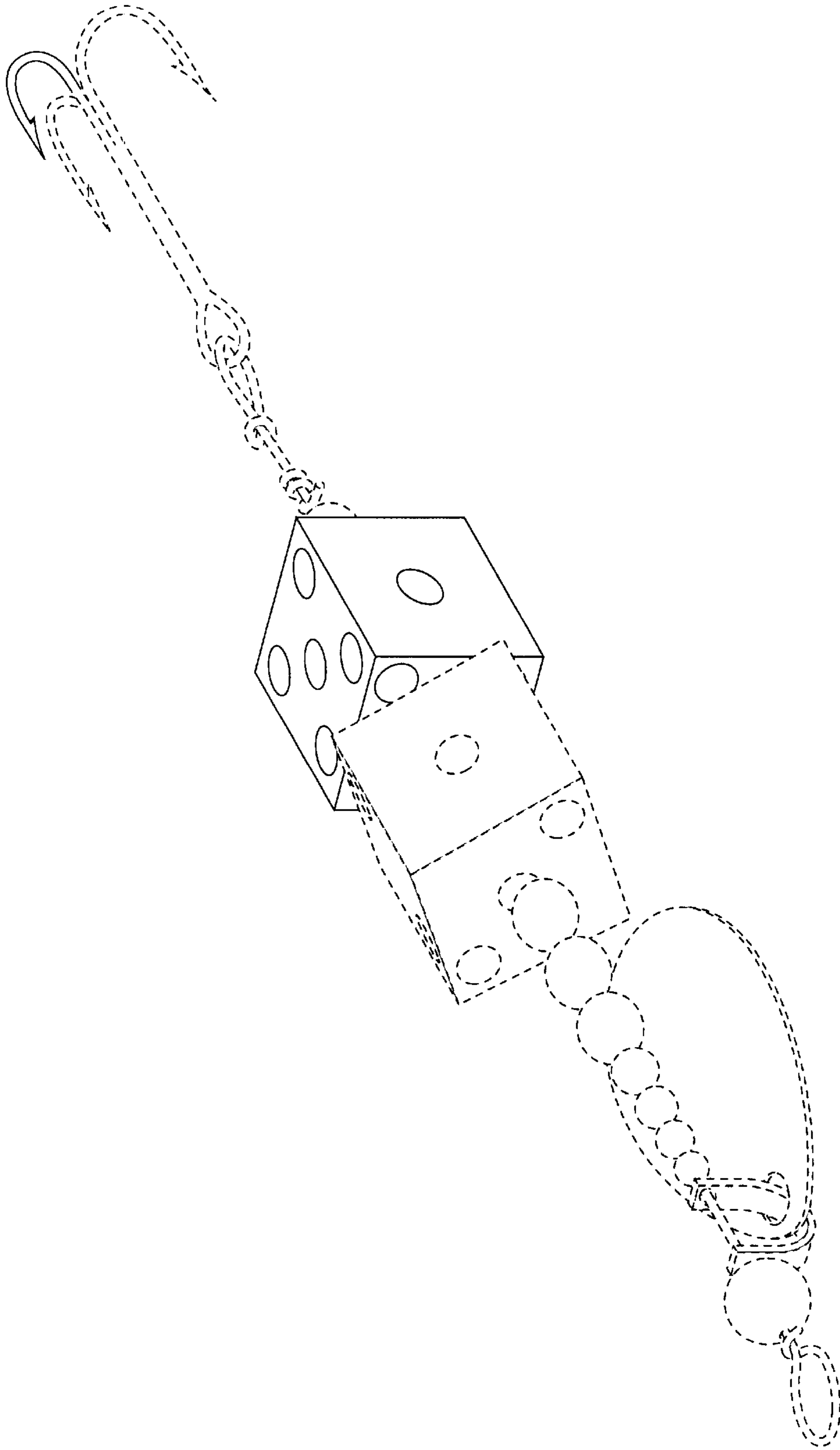


Figure 3