



US00D540414S

(12) **United States Design Patent**  
**Glenn**

(10) **Patent No.:** **US D540,414 S**

(45) **Date of Patent:** **\*\* Apr. 10, 2007**

(54) **TREBUCHET**

(75) Inventor: **Michael A. Glenn**, 115 Lake Rd.,  
Portola Valley, CA (US) 94028

(73) Assignee: **Michael A. Glenn**, Portola Valley, CA  
(US)

(\*\*) Term: **14 Years**

(21) Appl. No.: **29/229,986**

(22) Filed: **May 13, 2005**

(51) **LOC (8) Cl.** ..... **22-01**

(52) **U.S. Cl.** ..... **D22/100**

(58) **Field of Classification Search** ..... D22/100,  
D22/107, 113–115, 199; D21/301, 454; 124/4–9,  
124/16, 20.1, 26, 36, 41.1, 900  
See application file for complete search history.

(56) **References Cited**

**U.S. PATENT DOCUMENTS**

1,152,186	A	*	8/1915	Koehler	.....	124/7
1,384,046	A	*	7/1921	Carrino	.....	124/7
3,254,639	A	*	6/1966	Laird	.....	124/7
5,398,665	A	*	3/1995	Carlson	.....	124/17
D366,908	S	*	2/1996	Crennen	.....	D21/454
D392,013	S	*	3/1998	Scarlett	.....	D22/106
5,769,724	A	*	6/1998	Wiegel	.....	472/49
D398,937	S	*	9/1998	Spikes	.....	D21/301
6,129,076	A	*	10/2000	Powell et al.	.....	124/7

**OTHER PUBLICATIONS**

“Levers—The Trebuchet Classpack.” ETA Cui-  
senaire–2006. p. 104, top left corner.\*

\* cited by examiner

*Primary Examiner*—Ian Simmons

*Assistant Examiner*—Melanie Levy

(74) *Attorney, Agent, or Firm*—Michael A. Glenn; Glenn  
Patent Group

(57) **CLAIM**

The design for a trebuchet, as shown and described.

**DESCRIPTION**

FIG. 1 shows a perspective view of a design for a trebuchet  
according to my invention;

FIG. 2 shows a first end view of a design for a trebuchet  
according to my invention;

FIG. 3 shows a second end view of a design for a trebuchet  
according to my invention;

FIG. 4 shows a first side view of a design for a trebuchet  
according to my invention;

FIG. 5 shows a second side view of a design for a trebuchet  
according to my invention; and

FIG. 6 shows a top view of a design for a trebuchet  
according to my invention.

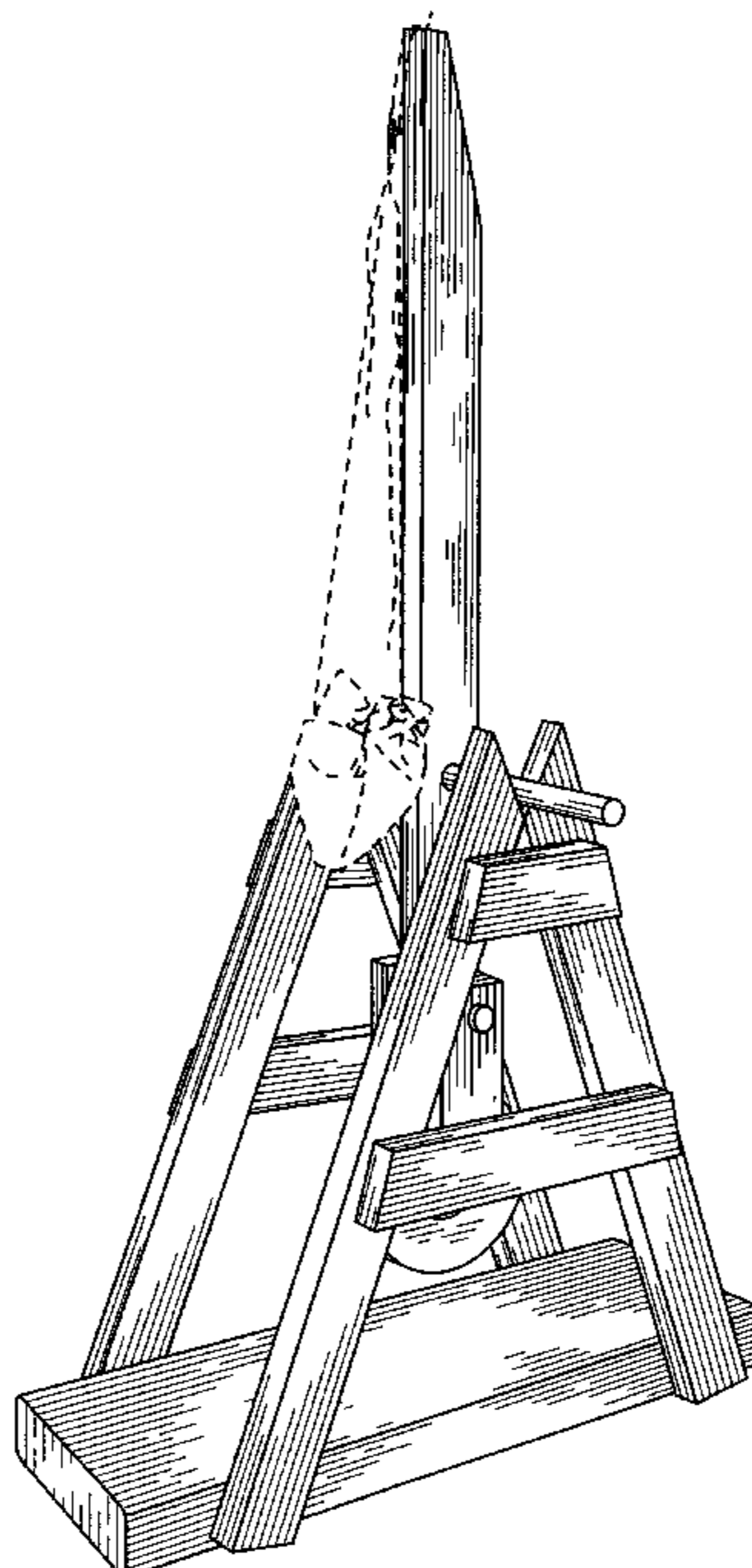
FIG. 7 shows a bottom view of a design for a trebuchet  
according to my invention;

FIG. 8 shows a first side view with an elevated throwing arm  
of a design for a trebuchet according to my invention; and,

FIG. 9 shows a second side view with an elevated throwing  
arm of a design for a trebuchet according to my invention.

The broken lines in the figures are for illustrative purposes  
only and form no part of the claimed design.

**1 Claim, 8 Drawing Sheets**



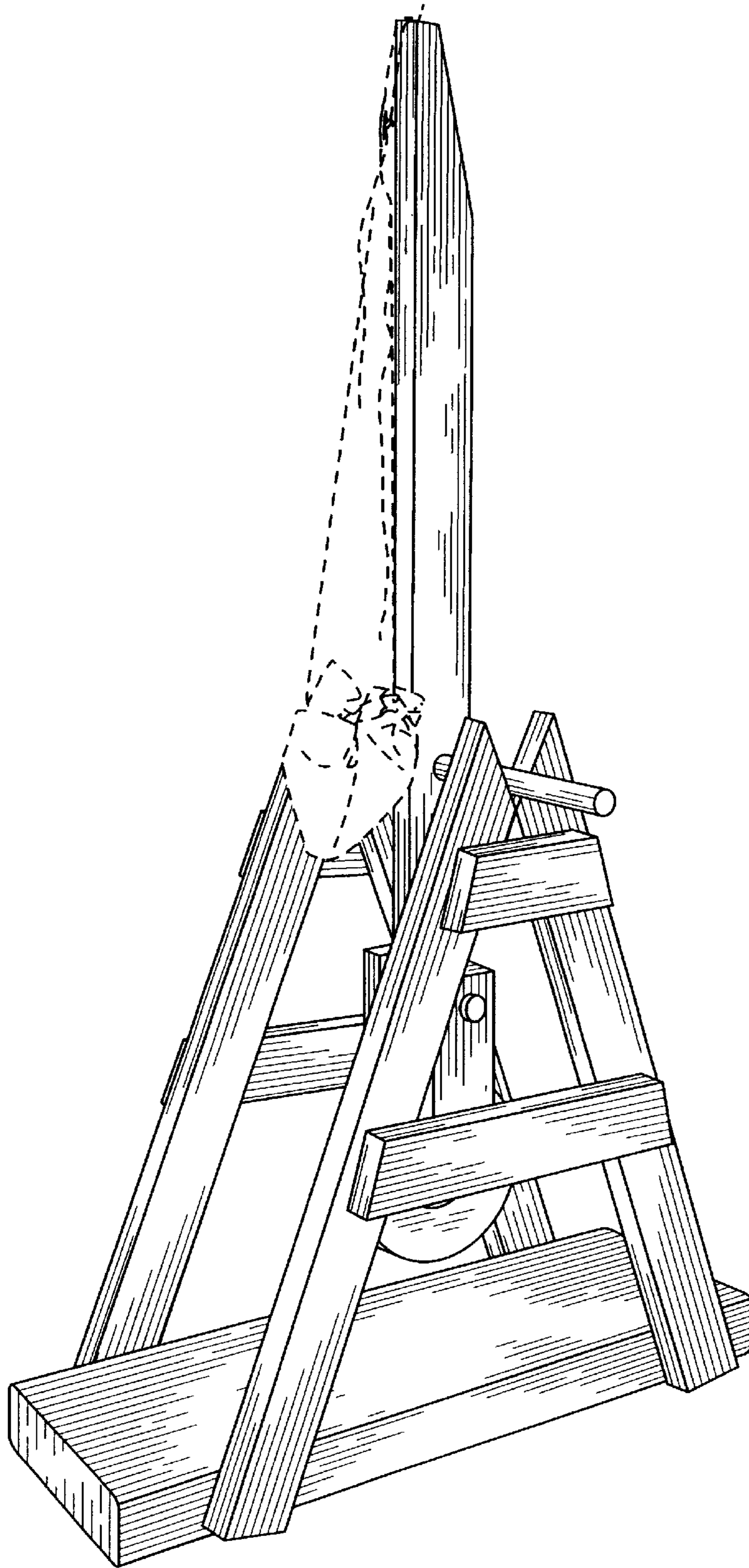


FIG. 1

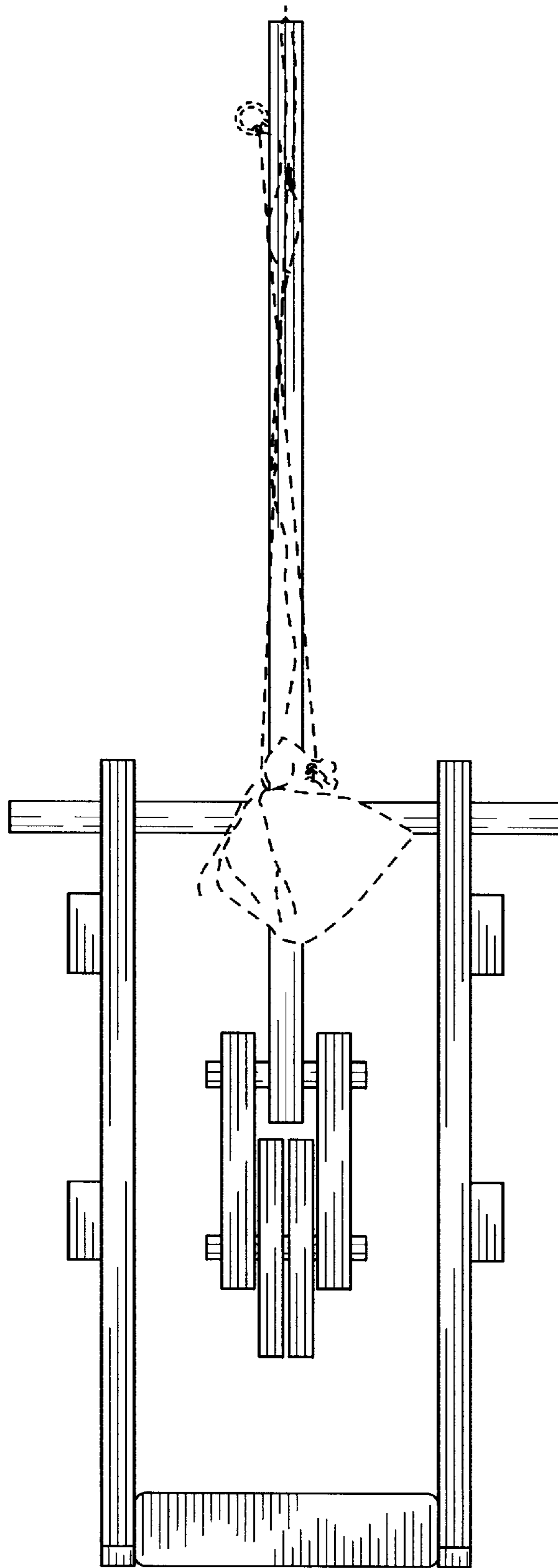


FIG. 2

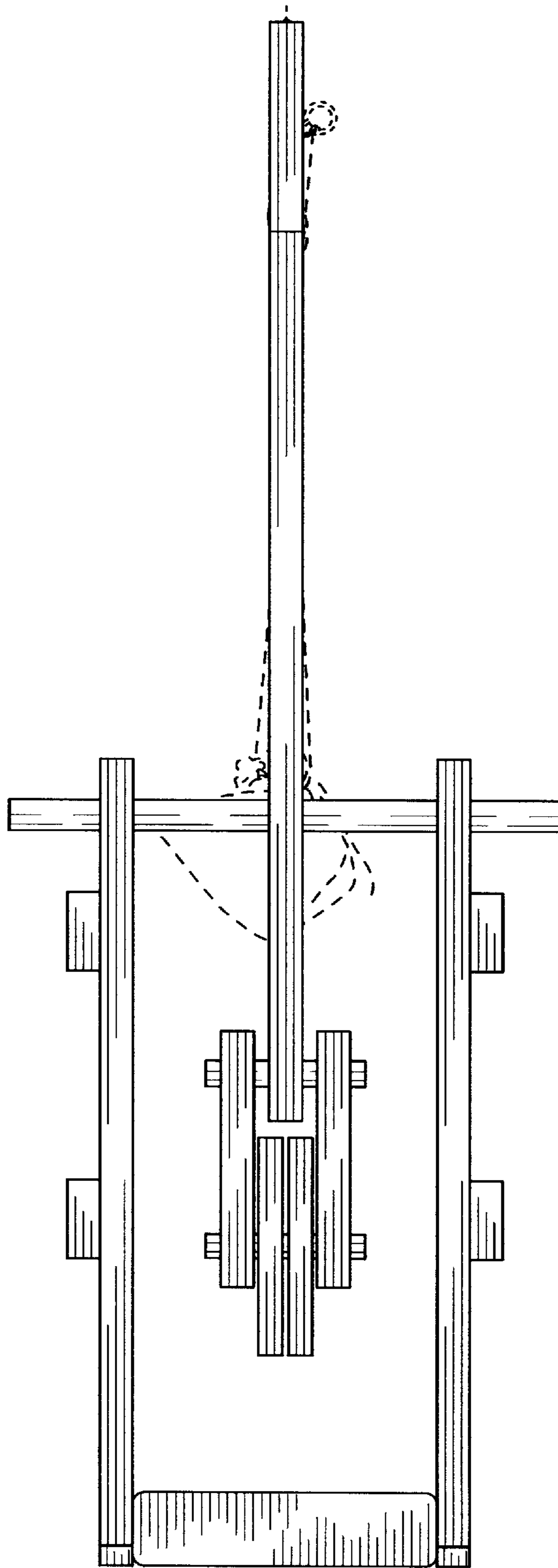


FIG. 3

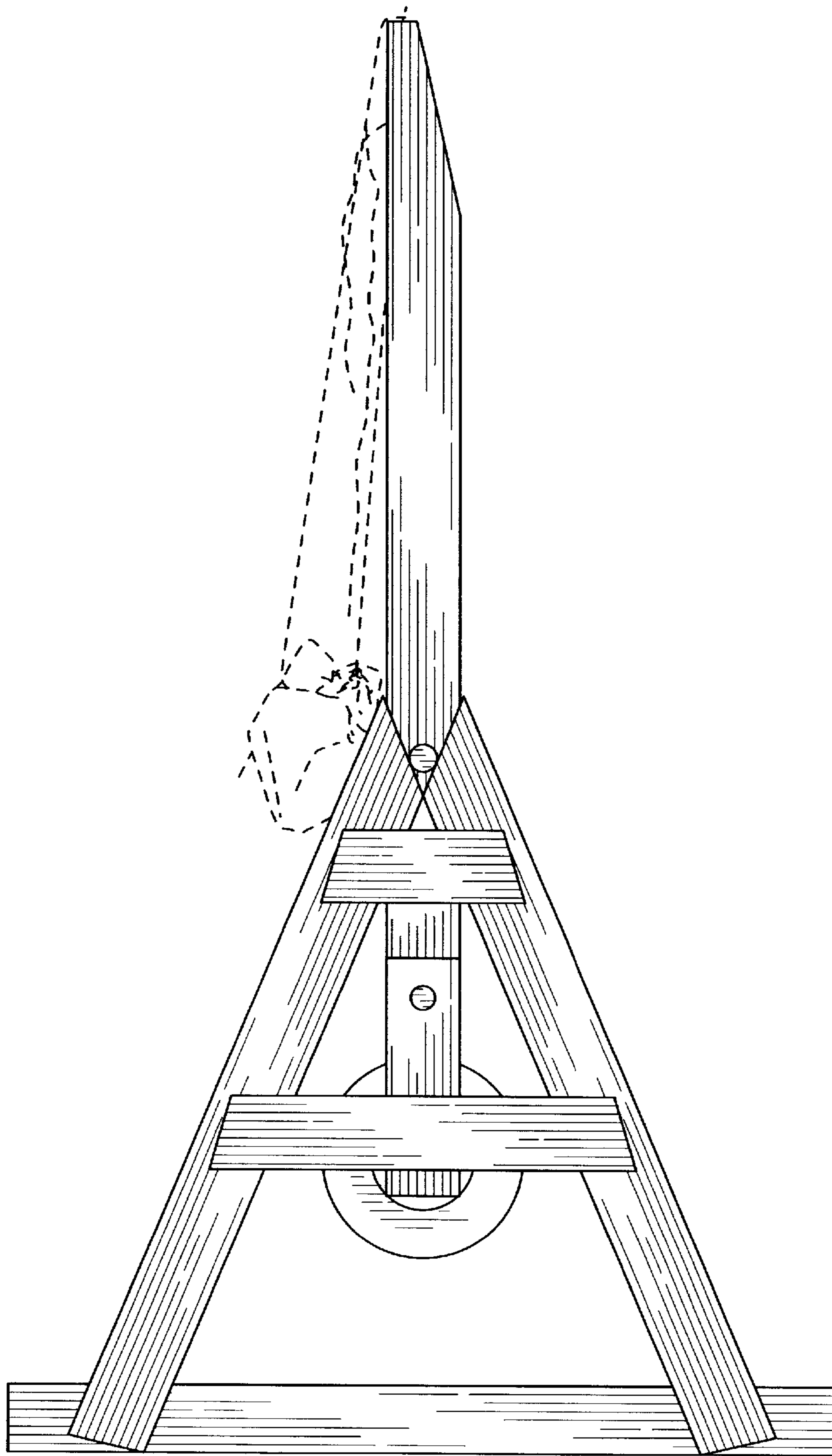


FIG. 4

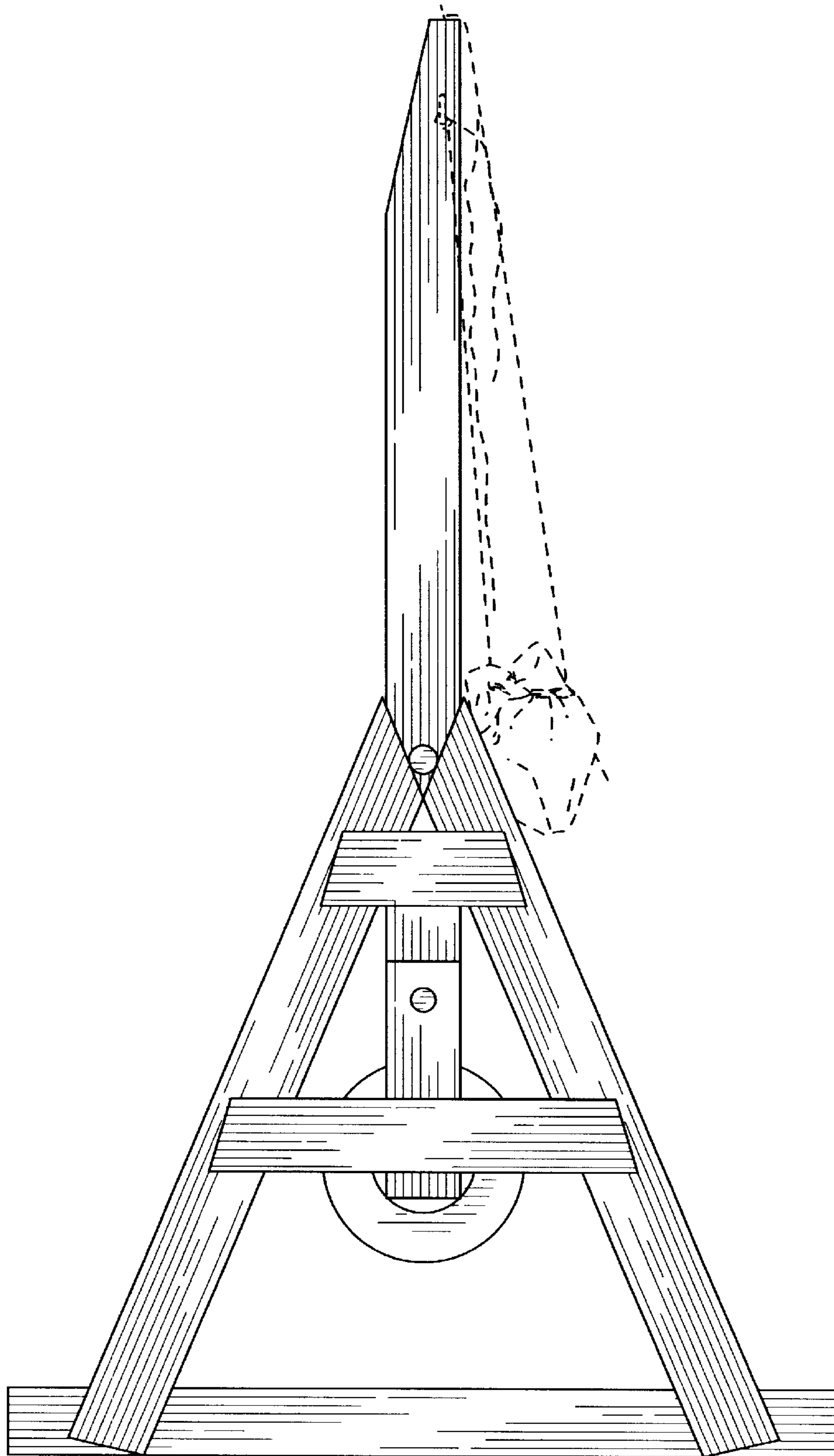
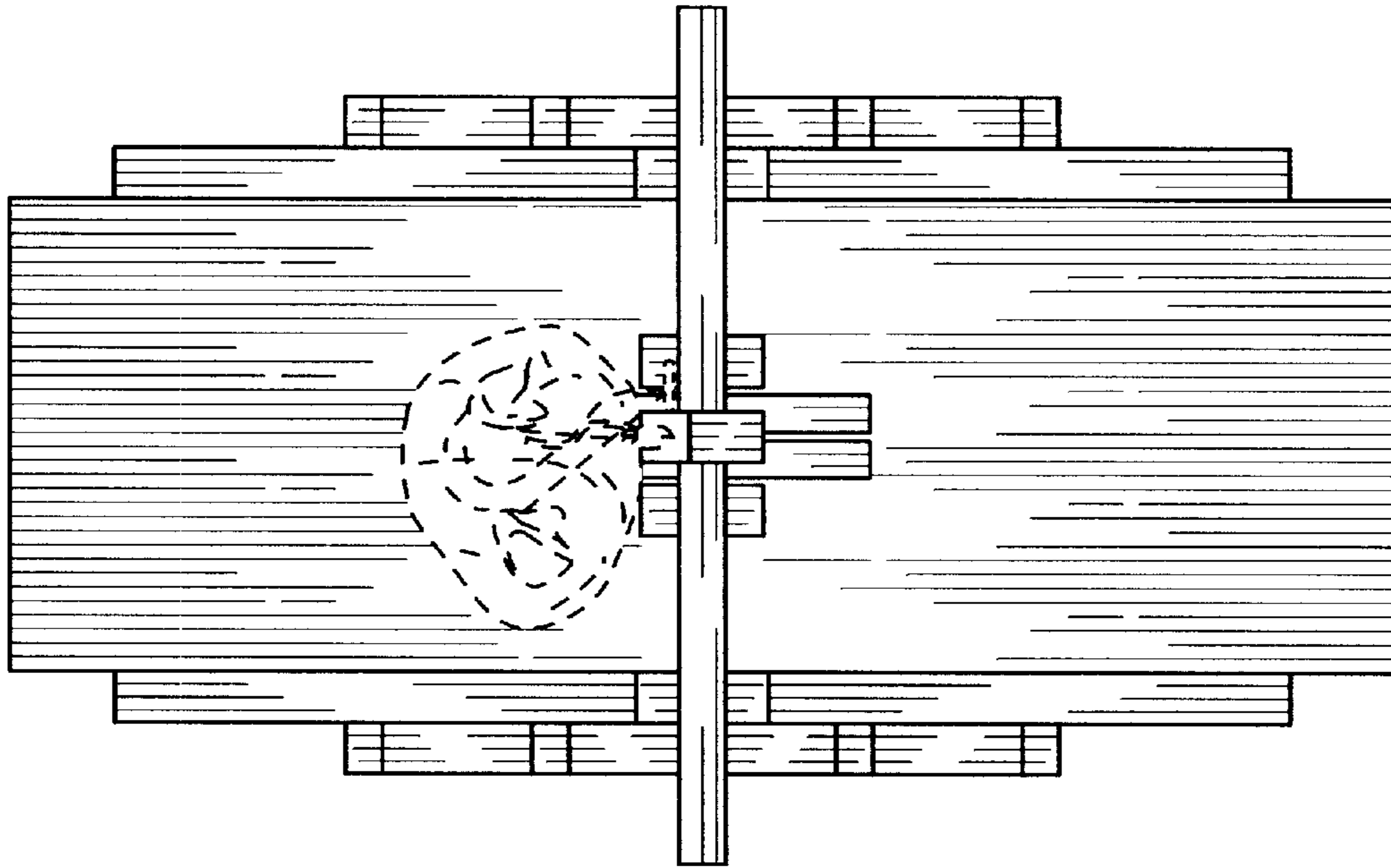
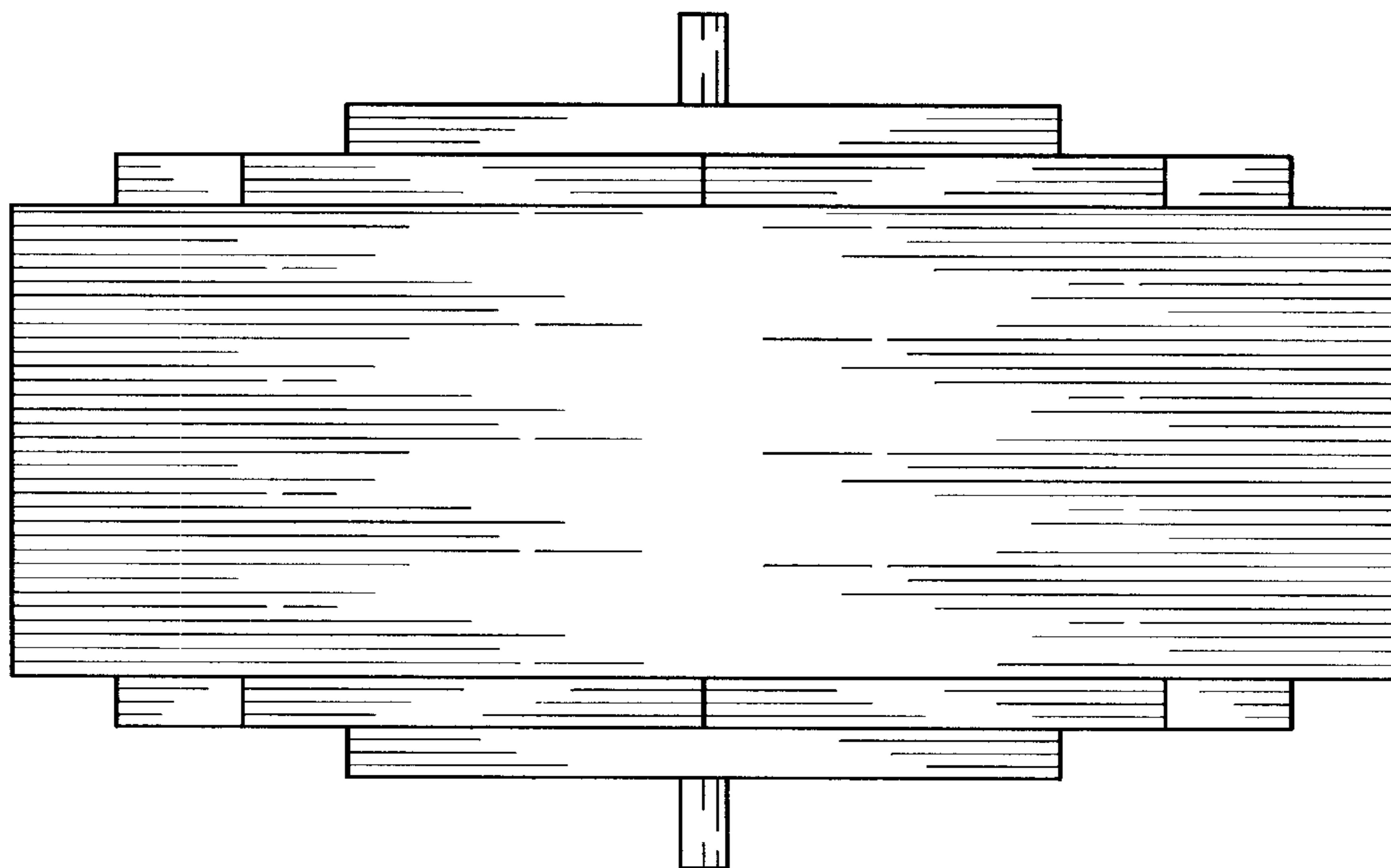


FIG. 5



**FIG. 6**



**FIG. 7**

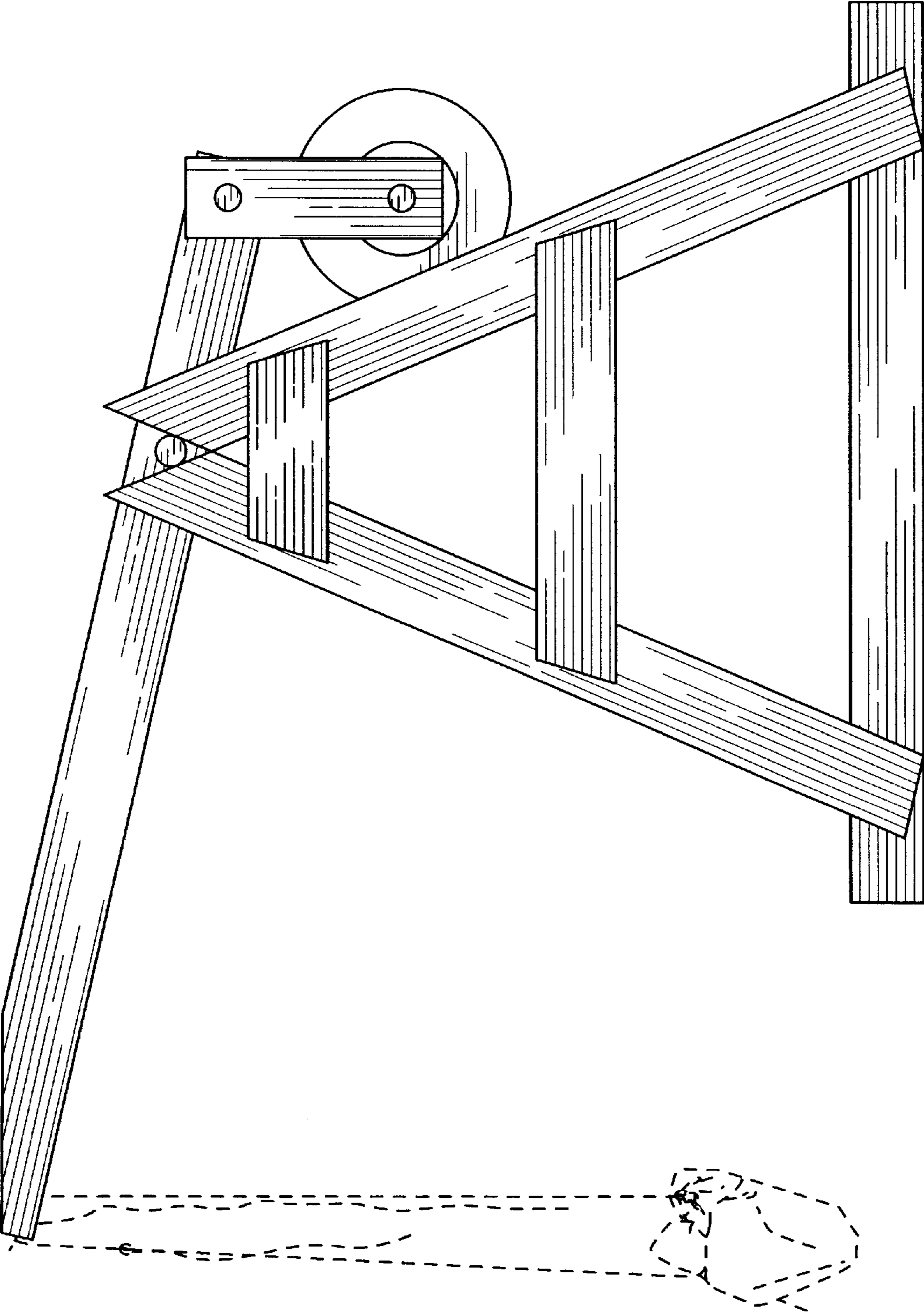


FIG. 8



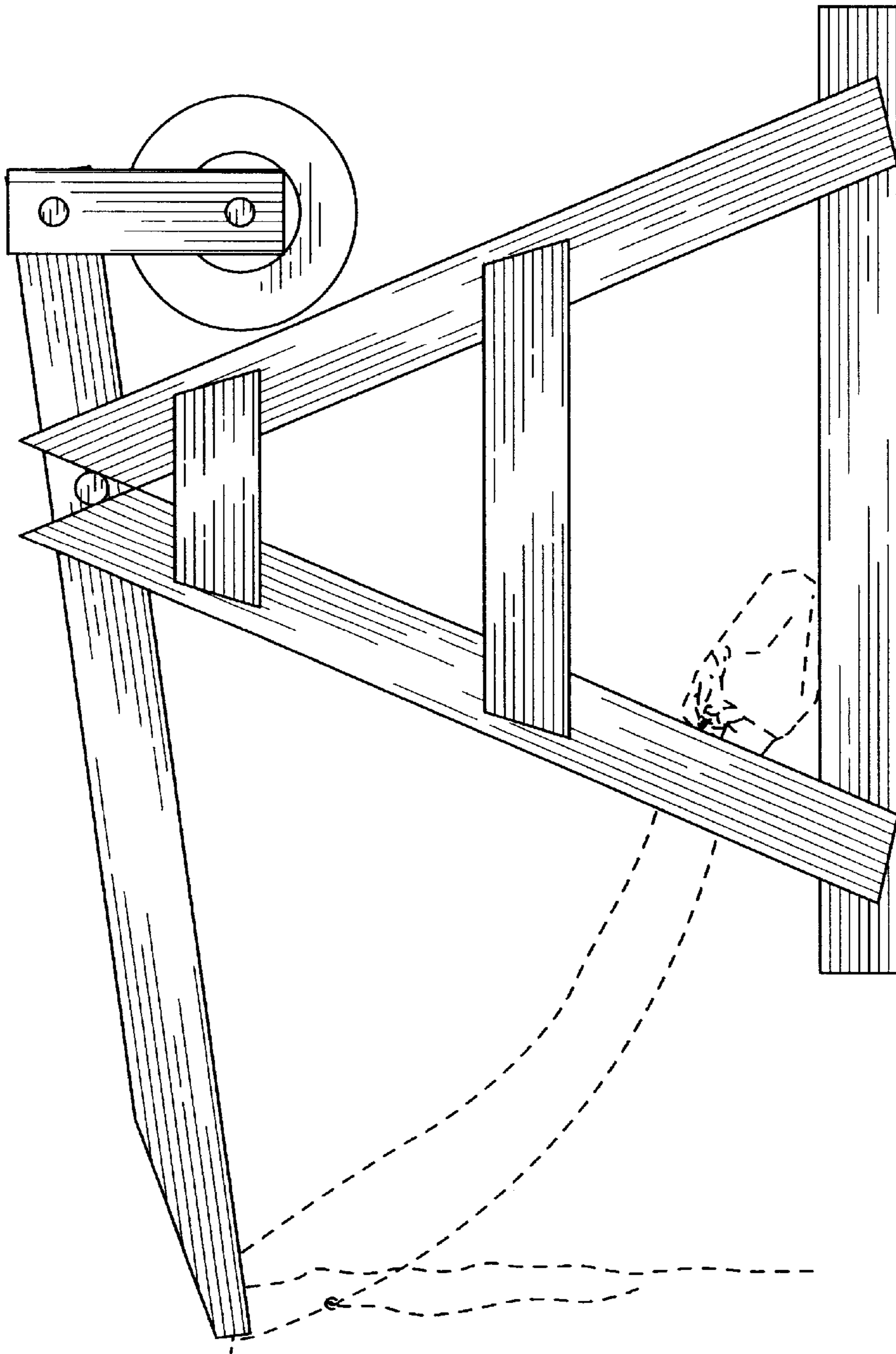


FIG. 9