

US00D540413S

(12) **United States Design Patent**
McKee et al.

(10) **Patent No.:** **US D540,413 S**

(45) **Date of Patent:** **** Apr. 10, 2007**

(54) **SLIDE**

4,343,464 A * 8/1982 Dose 472/116
D522,082 S * 5/2006 Peterson D21/818

(75) Inventors: **Geoff McKee**, San Carlos, CA (US);
Eileen Sefchick, Fremont, CA (US);
Albert Fan, San Francisco, CA (US);
Bruce Popek, South Windsor, CT (US)

* cited by examiner

Primary Examiner—Mitchell Siegel
(74) *Attorney, Agent, or Firm*—John W. Carpenter

(73) Assignee: **WHAM-O Corporation**, Emeryville,
CA (US)

(57) **CLAIM**

The ornamental design for a slide, as shown and described.

(**) Term: **14 Years**

DESCRIPTION

(21) Appl. No.: **29/255,086**

FIG. 1 is a perspective view of the slide;
FIG. 2 is an end elevational view of the slide.
FIG. 3 is an end view of the slide, opposed to the end view
shown in FIG. 2;
FIG. 4 is a side elevational view of the slide.
FIG. 5 is an elevation view of the slide, opposed to the
elevation view shown in FIG. 4;
FIG. 6 is a top plan view of the slide.
FIG. 7 is a bottom plan view of the slide; and,
FIG. 8 is perspective view of the slide, opposed to the
perspective view shown in FIG. 1.

(22) Filed: **Mar. 3, 2006**

(51) **LOC (8) Cl.** **21-03**

(52) **U.S. Cl.** **D21/818**

(58) **Field of Classification Search** D21/811,
D21/814, 818-822, 835; 472/116-117; 482/35,
482/36

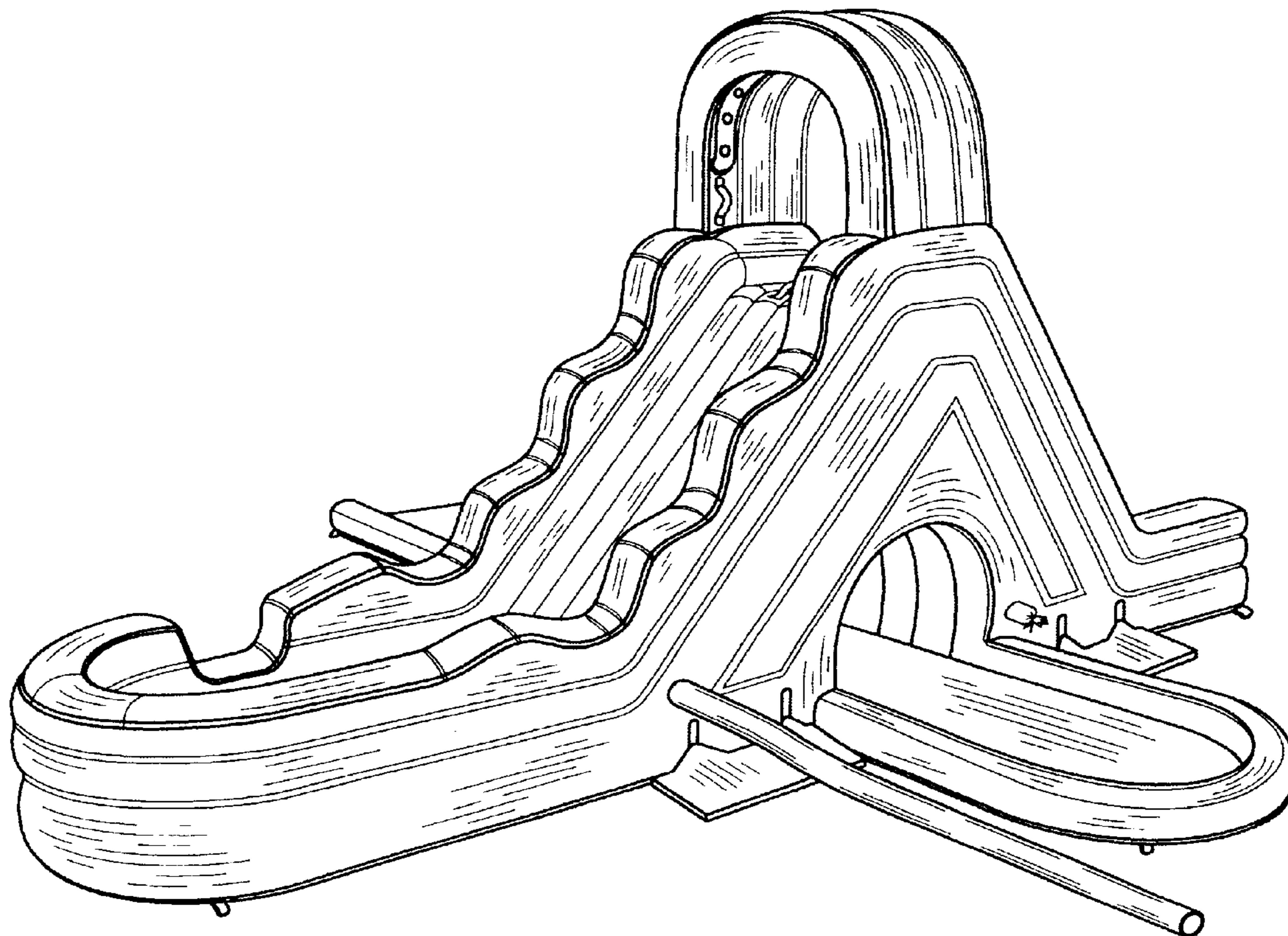
See application file for complete search history.

(56) **References Cited**

U.S. PATENT DOCUMENTS

D207,105 S * 3/1967 Gale D21/818

1 Claim, 7 Drawing Sheets



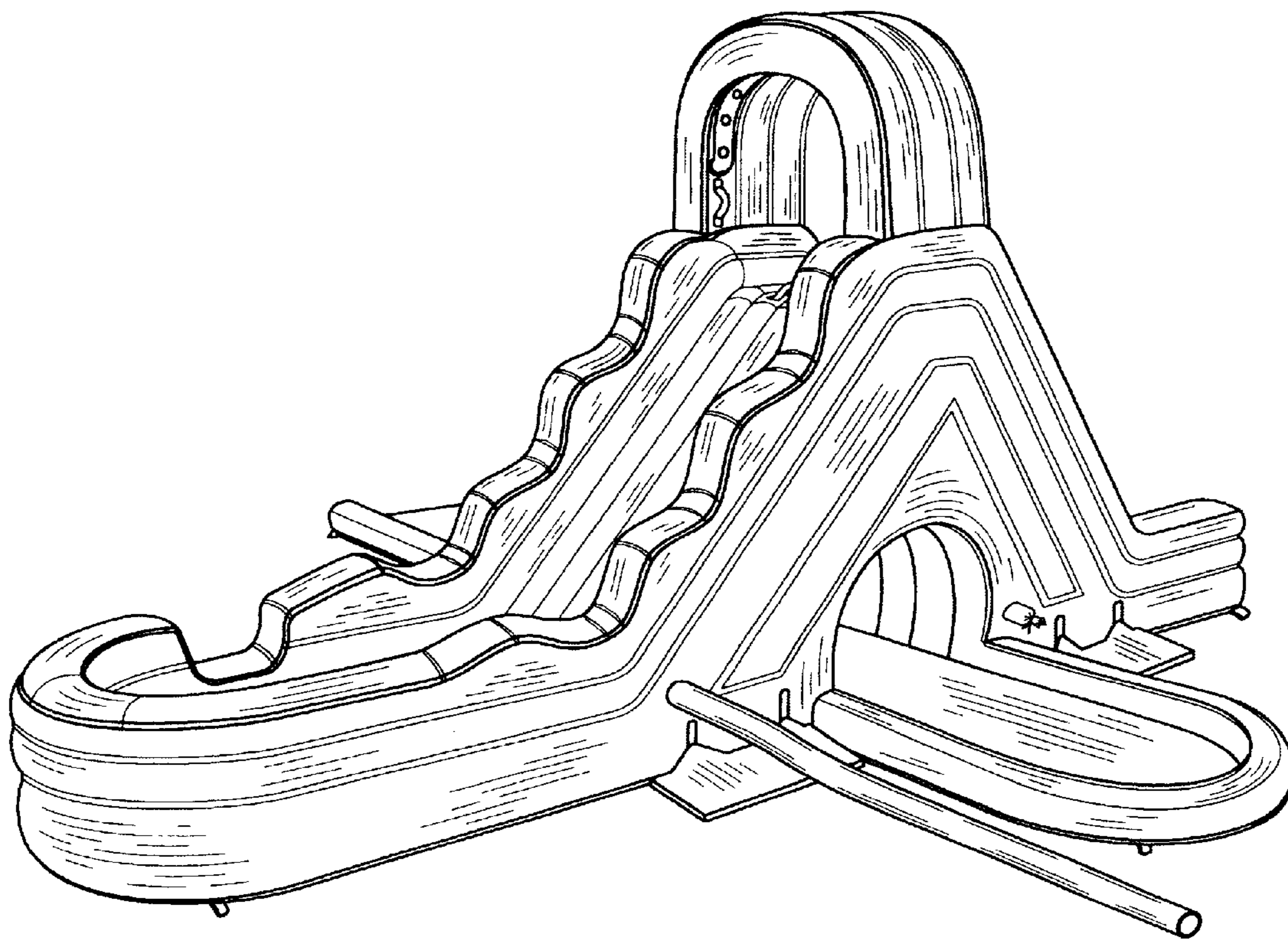


FIG. 1

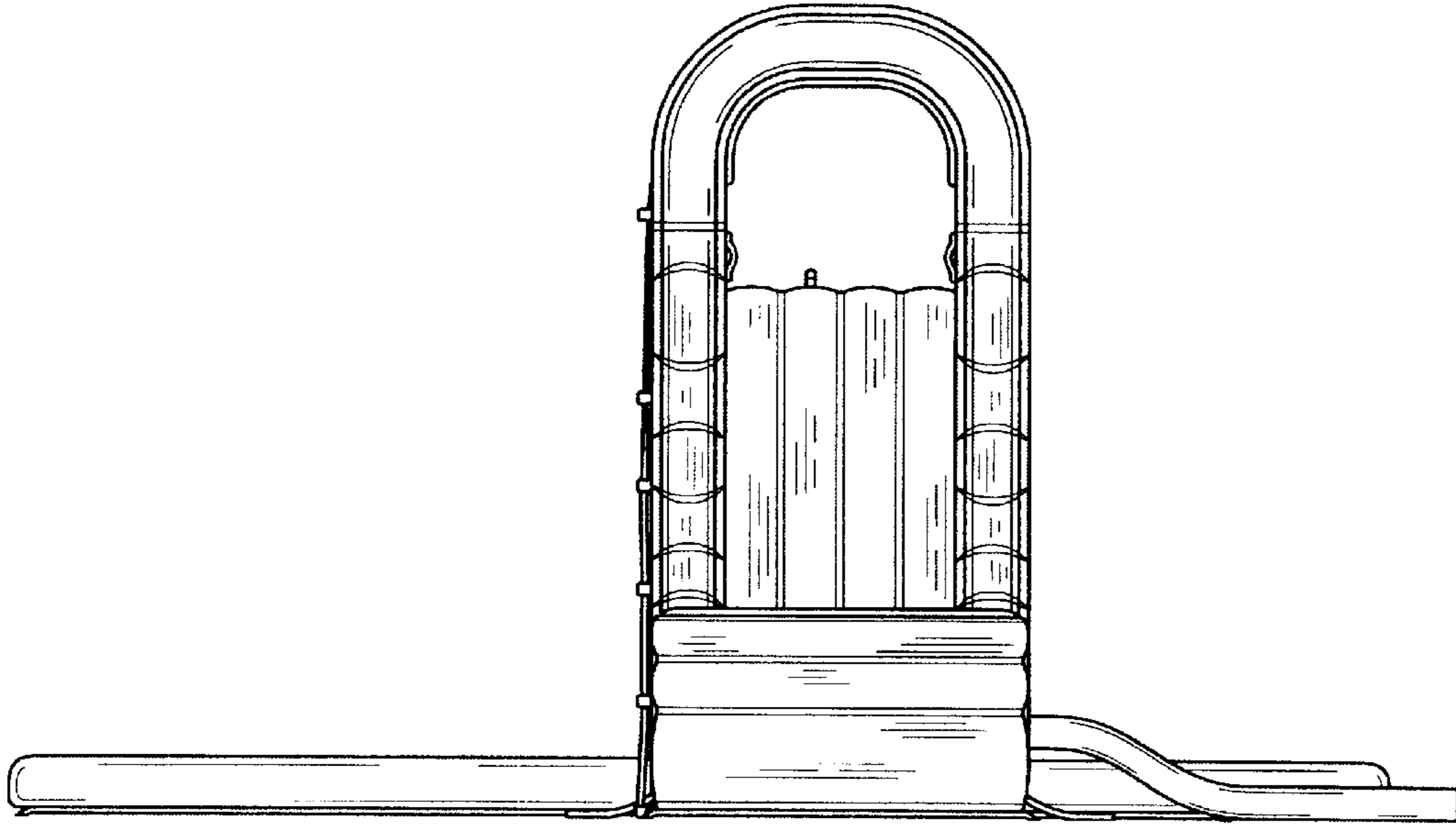


FIG. 2

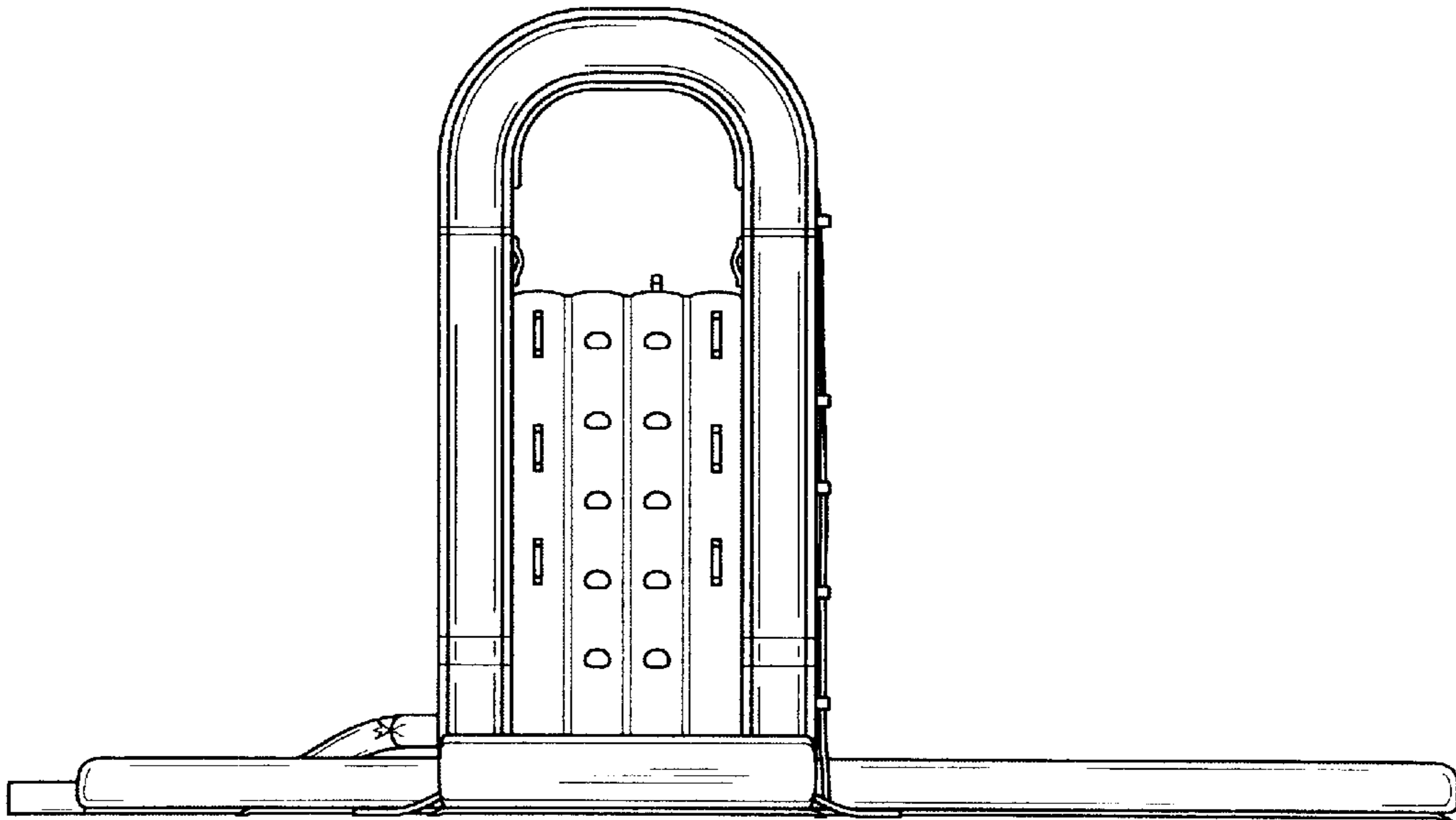


FIG. 3

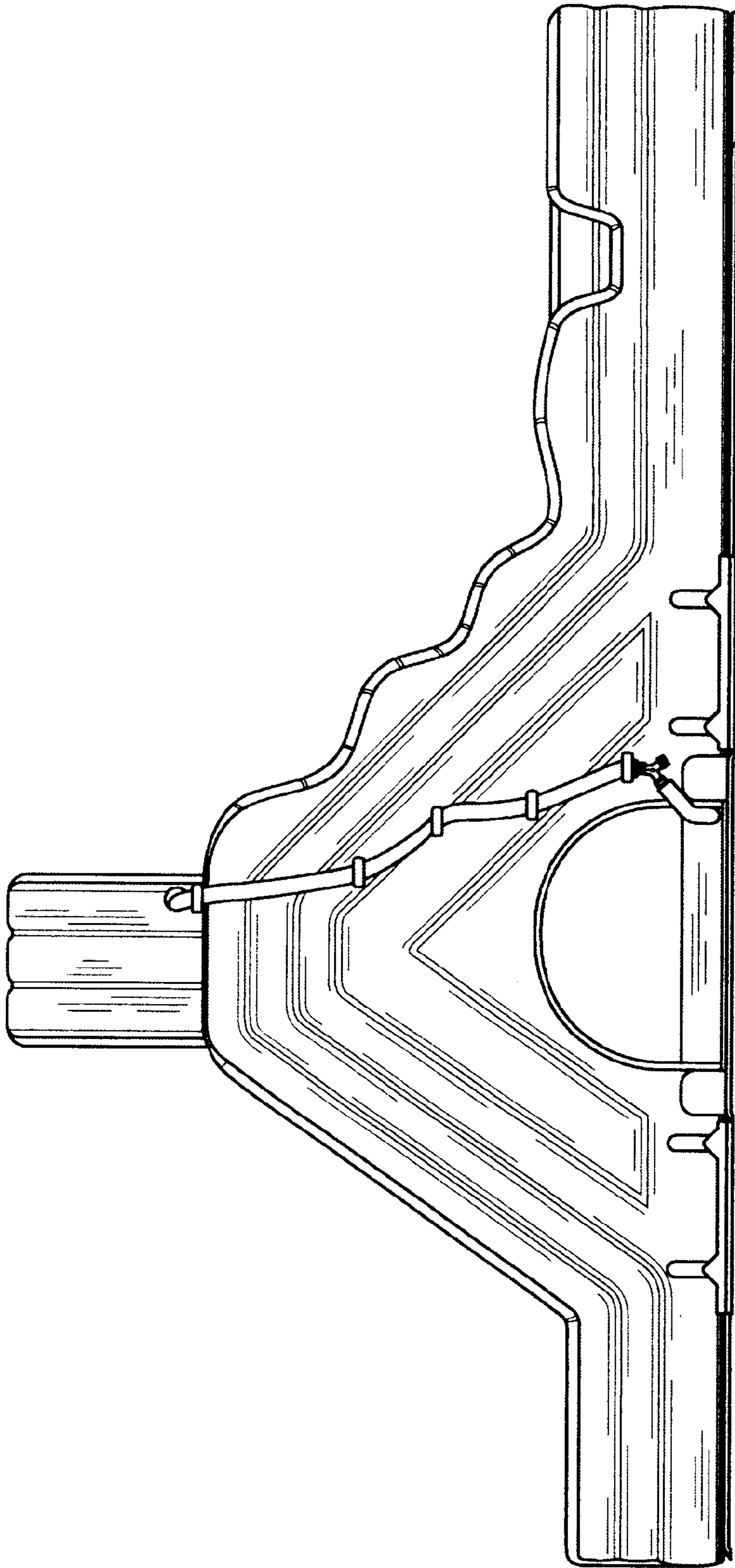


FIG. 4

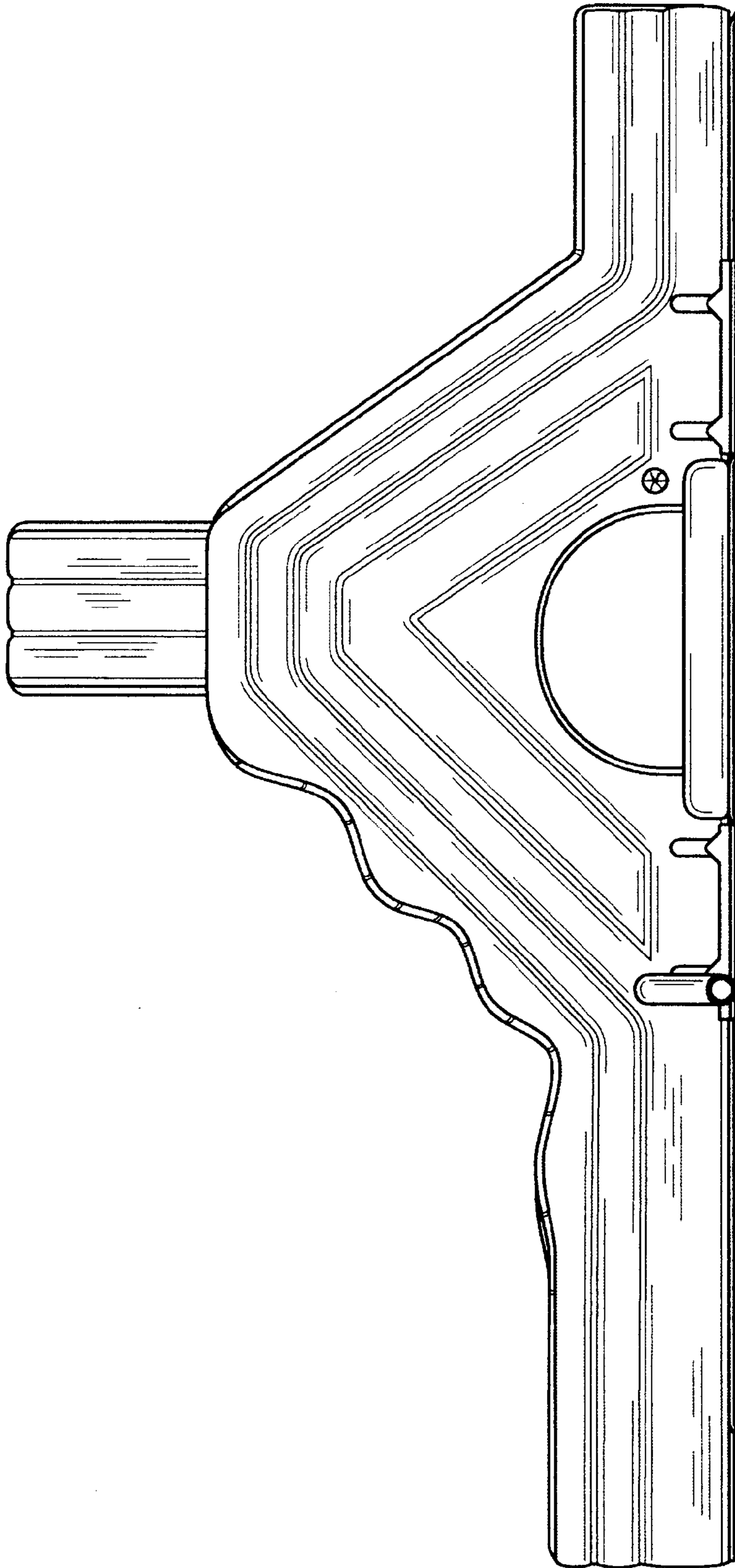


FIG. 5

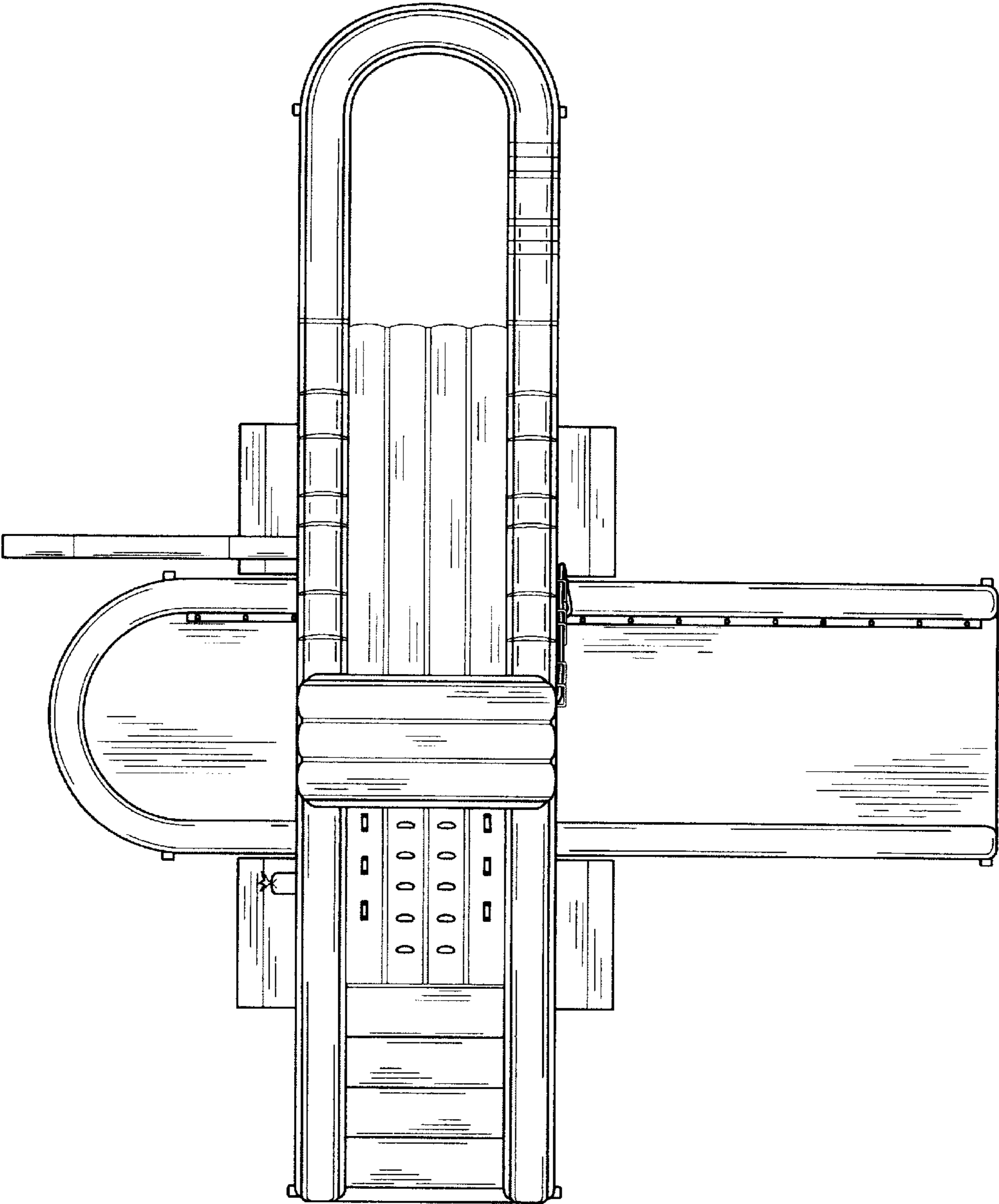


FIG. 6

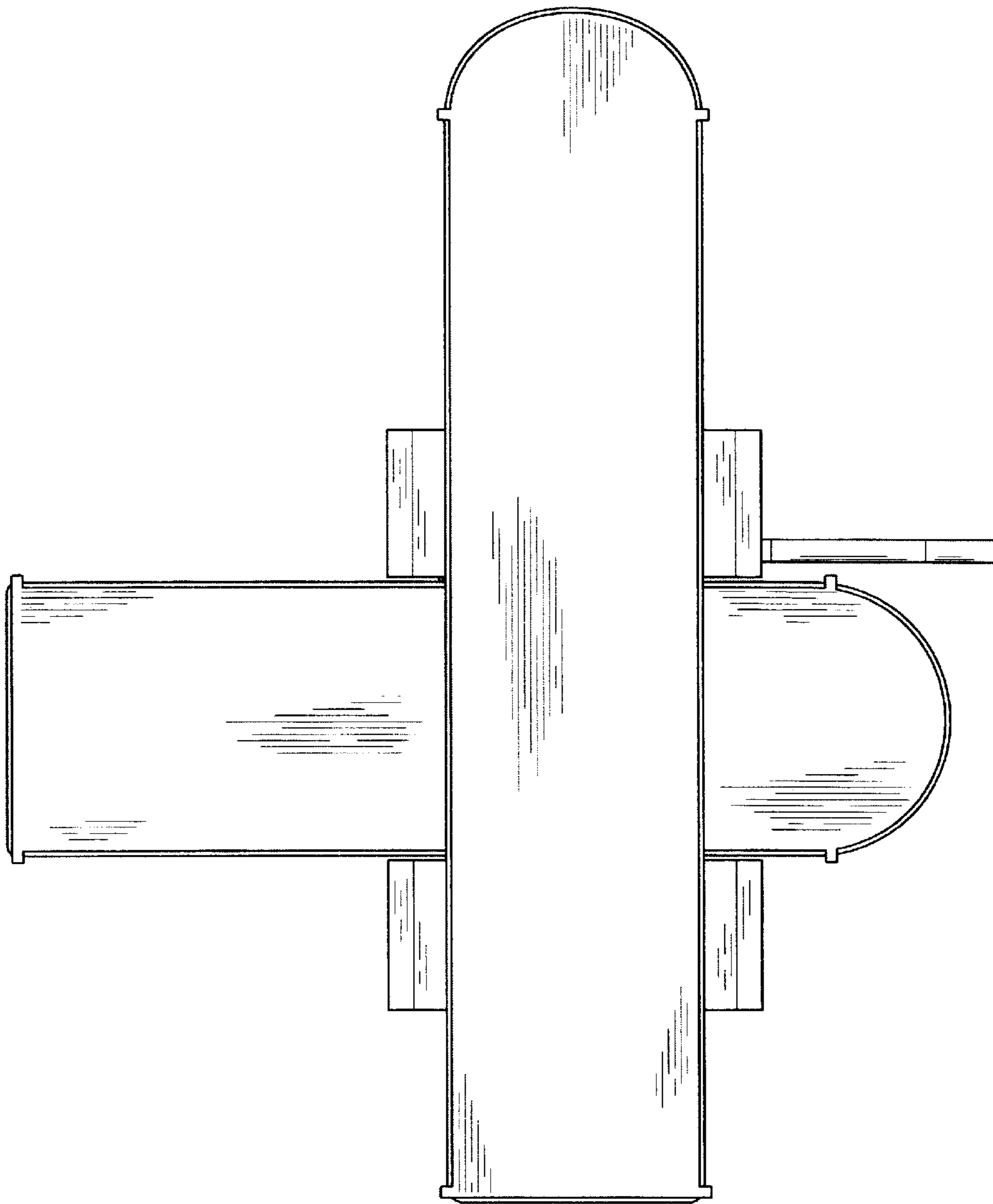


FIG. 7

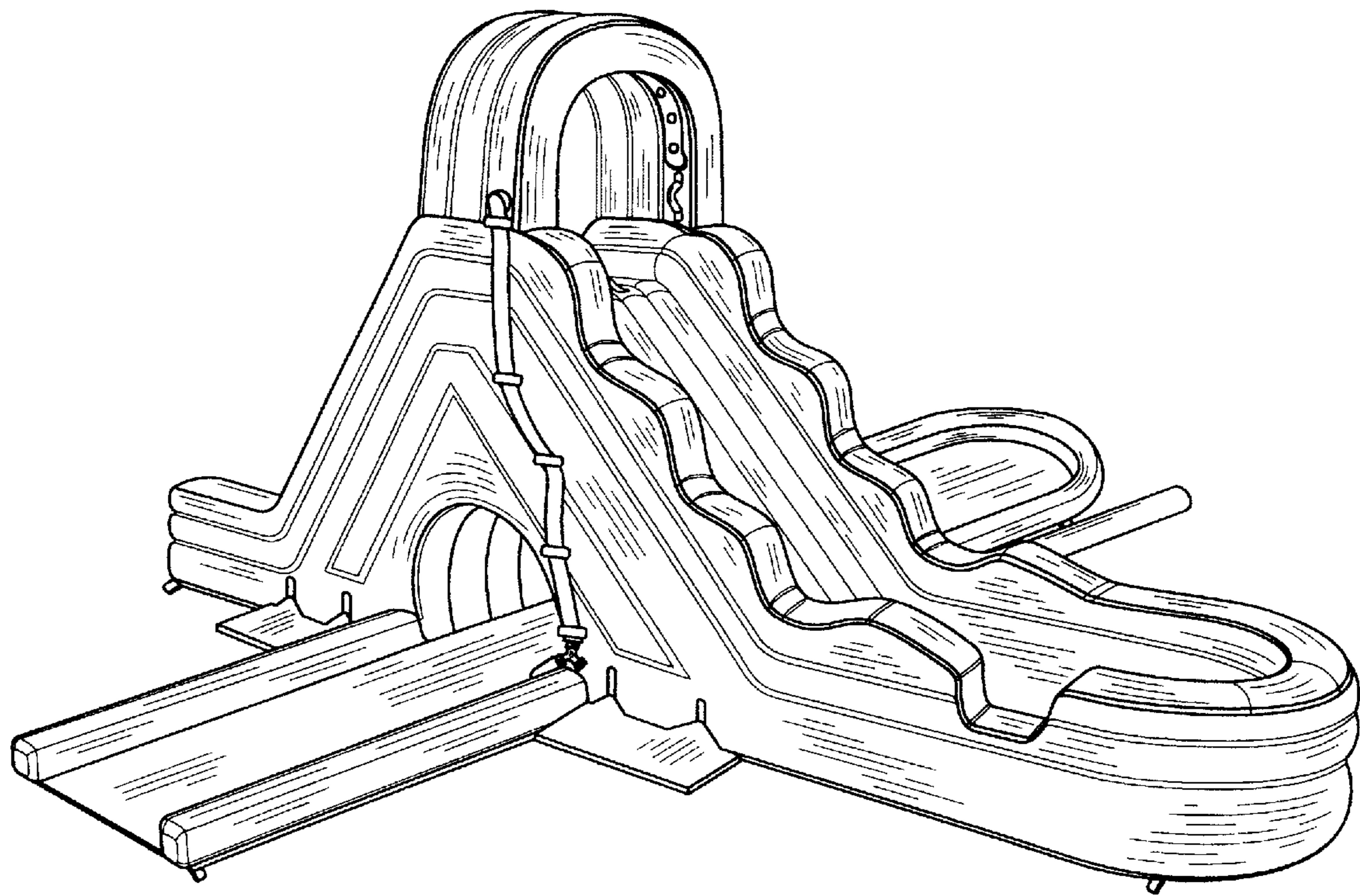


FIG. 8