

US00D540411S

(12) **United States Design Patent**  
**Bradford et al.**

(10) **Patent No.:** **US D540,411 S**

(45) **Date of Patent:** **\*\* Apr. 10, 2007**

(54) **PUTTER STRIKING FACE**

(76) Inventors: **Brent W. Bradford**, 19742 Azurefield, Newhall, CA (US) 91321; **Joseph D. Breda**, 6336 West Ave. J-4, Lancaster, CA (US) 93635

(\*\*) Term: **14 Years**

(21) Appl. No.: **29/254,013**

(22) Filed: **Feb. 16, 2006**

(51) **LOC (8) Cl.** ..... **21-02**

(52) **U.S. Cl.** ..... **D21/759**

(58) **Field of Classification Search** ..... D21/736-746, D21/759; 473/324-331, 251-256, 340-341  
See application file for complete search history.

(56) **References Cited**

**U.S. PATENT DOCUMENTS**

5,029,864 A 7/1991 Keener  
5,090,702 A 2/1992 Viste

D378,113 S 2/1997 Rollinson et al.

5,618,239 A 4/1997 Rife

D435,072 S \* 12/2000 Jaeckel ..... D21/738

D530,764 S \* 10/2006 Frame et al. .... D21/759

2004/0014533 A1 1/2004 Joo et al.

2005/0130764 A1 \* 6/2005 Frame ..... 473/340

\* cited by examiner

*Primary Examiner*—Mitchell Siegel

(74) *Attorney, Agent, or Firm*—Welsh & Flaxman LLC

(57) **CLAIM**

The ornamental design for a putter striking face, as shown and described.

**DESCRIPTION**

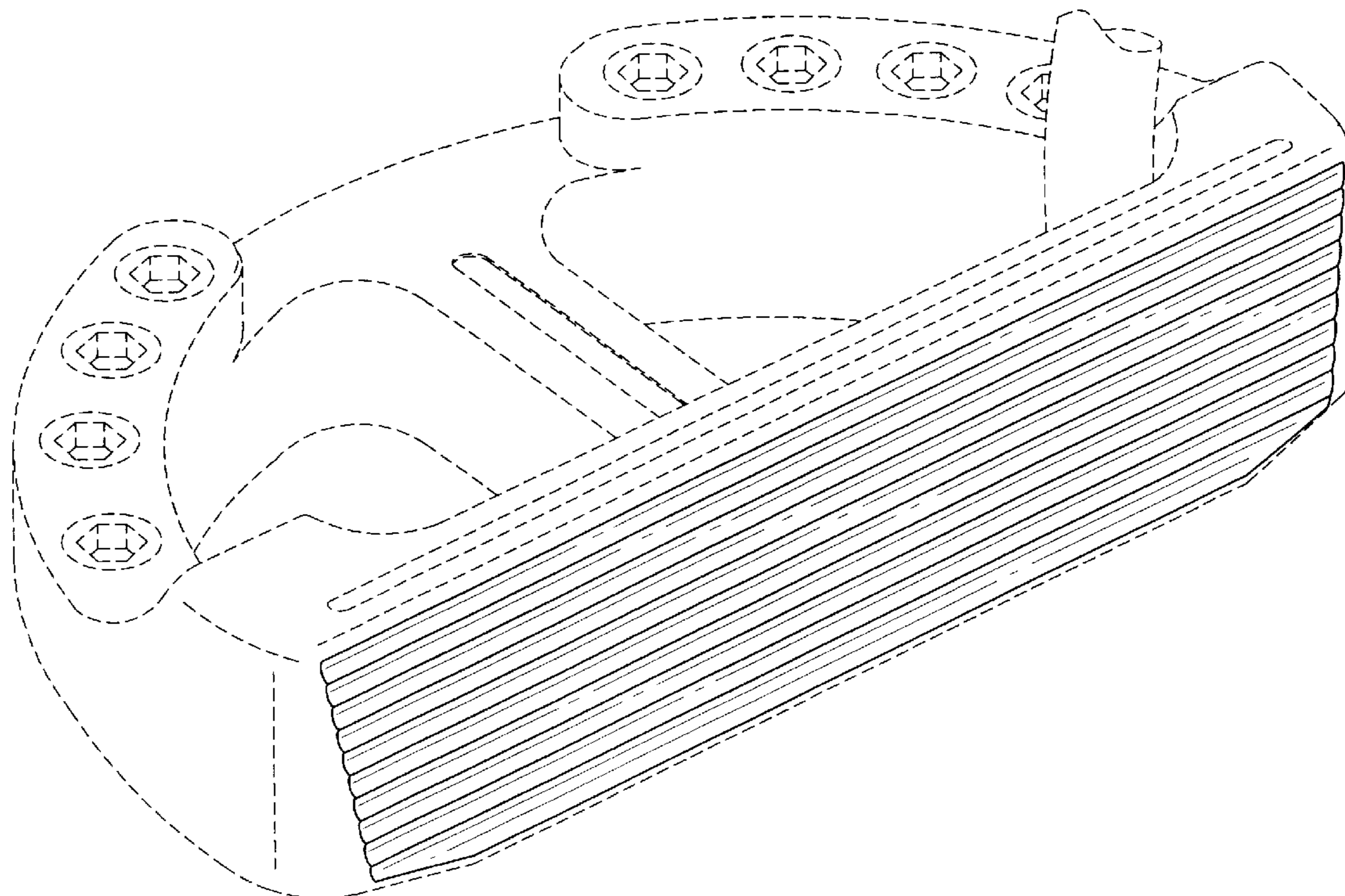
FIG. 1 is a perspective view of a putter striking face showing our new design.

FIG. 2 is a top view thereof.

FIG. 3 is a side view thereof; and,

FIG. 4 is a front view thereof.

**1 Claim, 2 Drawing Sheets**



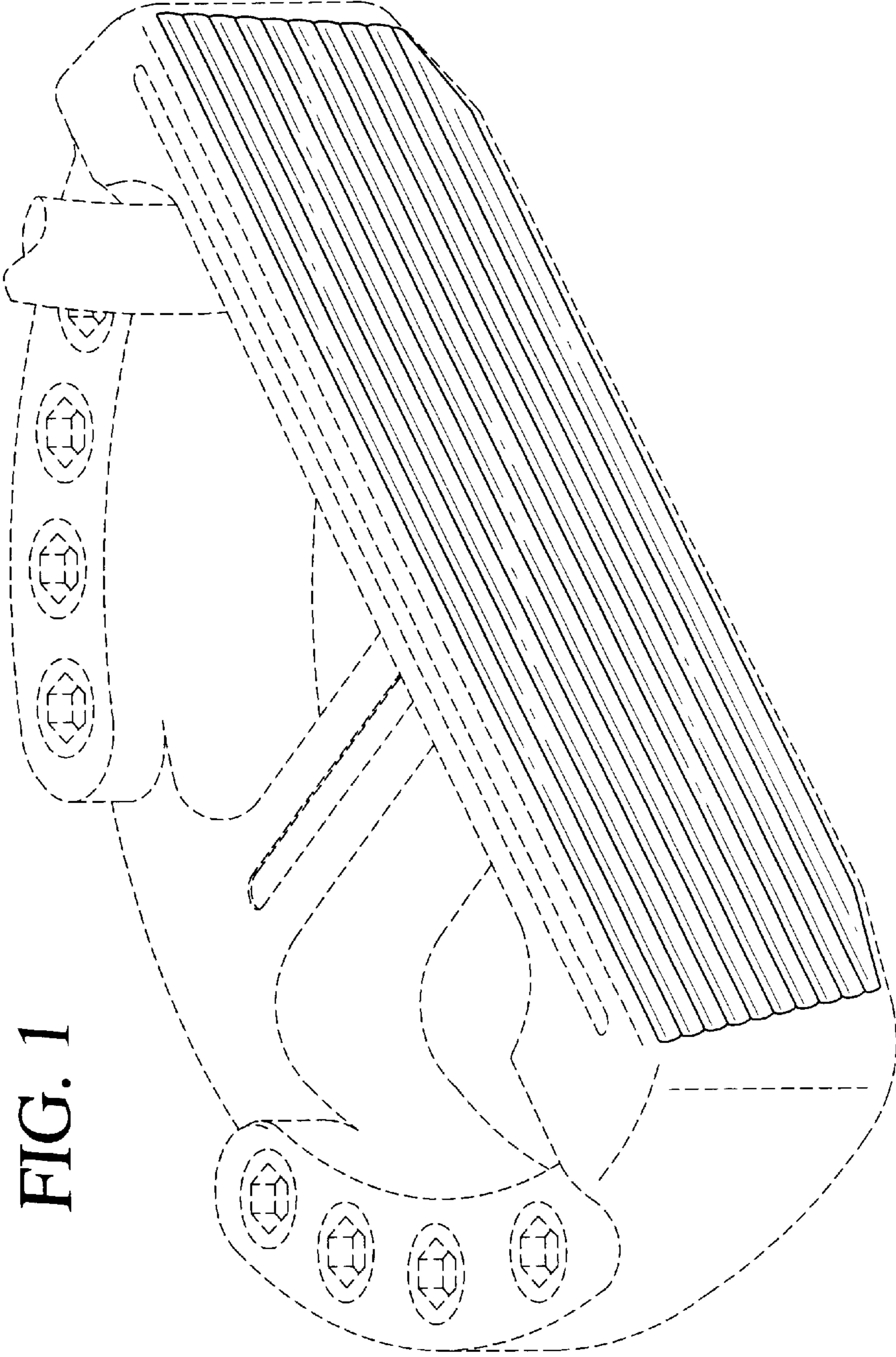


FIG. 1

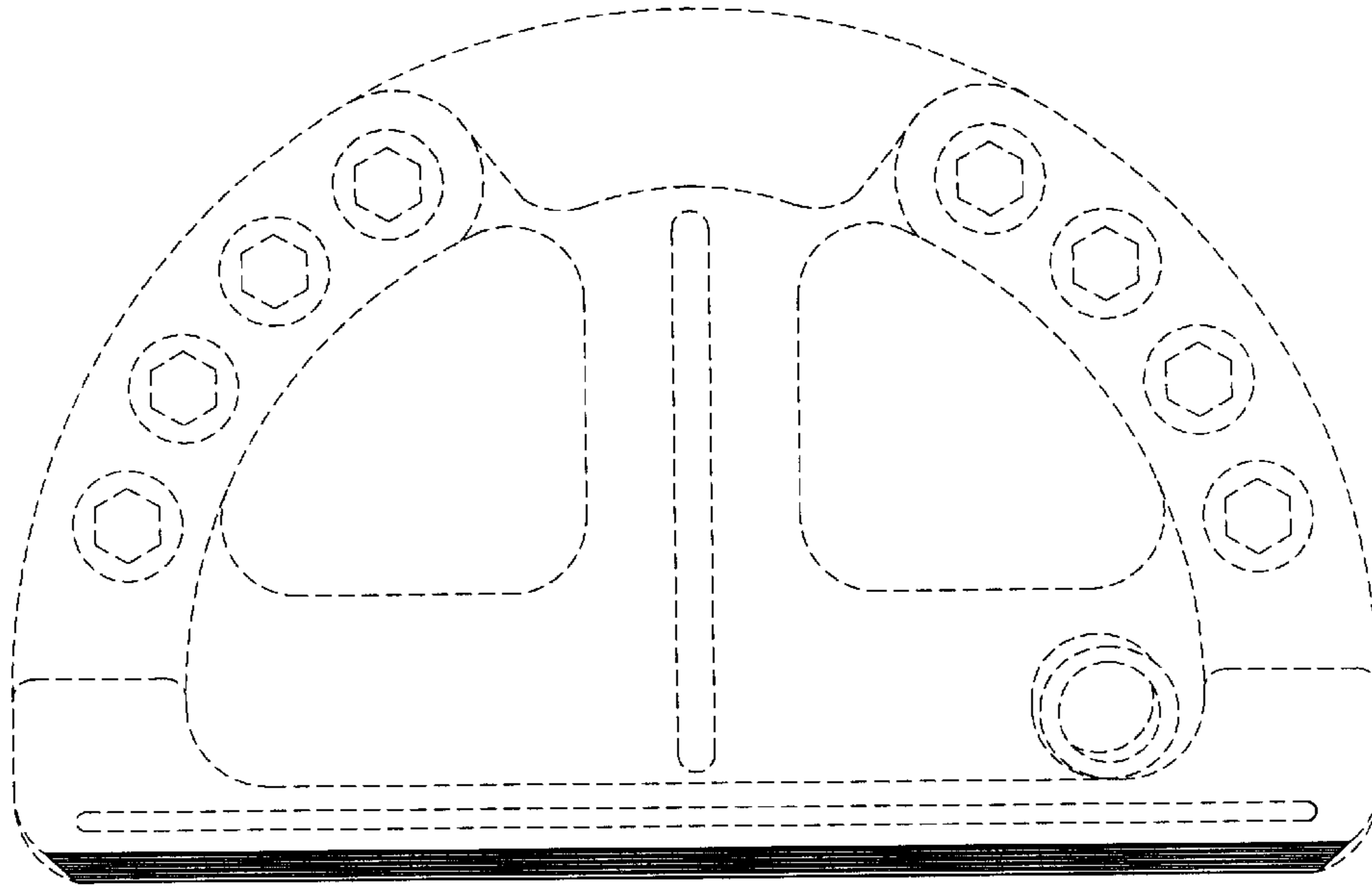


FIG. 2



FIG. 3

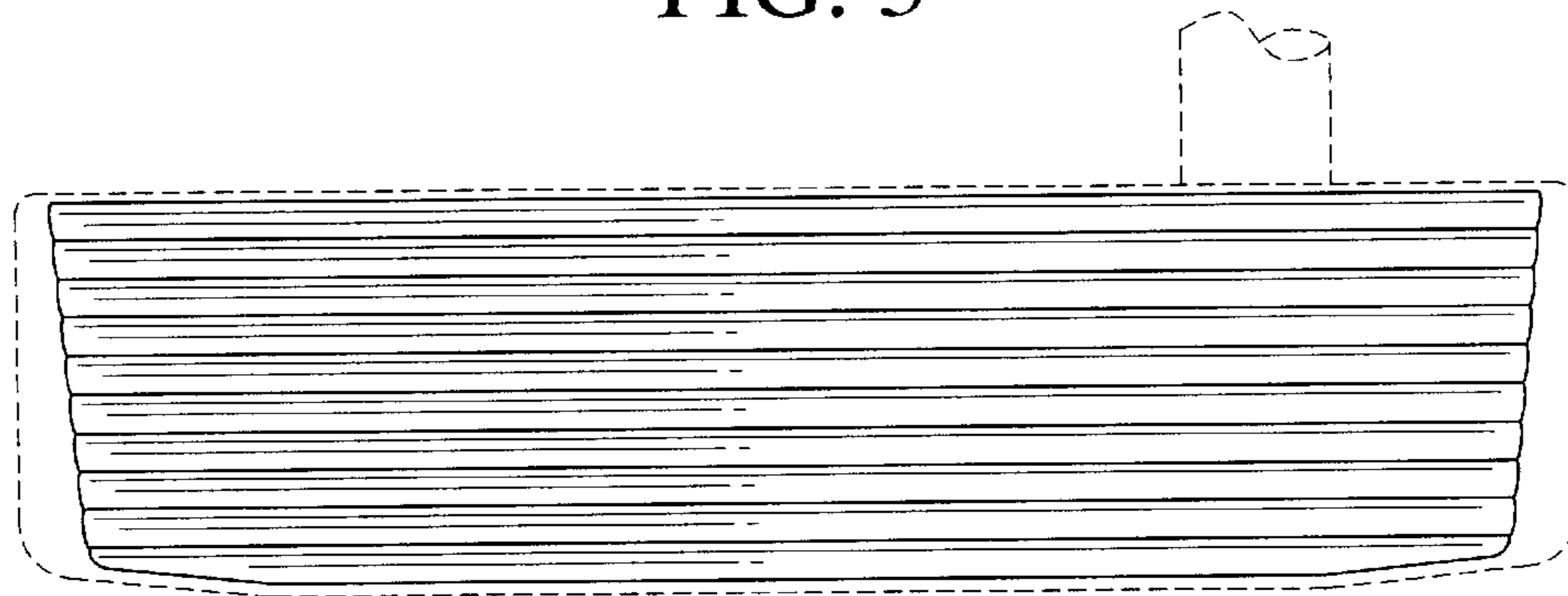


FIG. 4