



US00D540409S

(12) **United States Design Patent**
Martin et al.

(10) **Patent No.:** **US D540,409 S**

(45) **Date of Patent:** **** Apr. 10, 2007**

(54) **SPORT BALL STORAGE AND RETRIEVAL APPARATUS**

(75) Inventors: **Aloysius Ignatius Martin**, Philadelphia, PA (US); **David Charles Curry**, Philadelphia, PA (US)

(73) Assignee: **Swishful Thinking, LLC**, Philadelphia, PA (US)

(**) Term: **14 Years**

(21) Appl. No.: **29/263,885**

(22) Filed: **Jul. 31, 2006**

(51) **LOC (8) Cl.** **21-02**

(52) **U.S. Cl.** **D21/720; D6/552**

(58) **Field of Classification Search** D21/698, D21/720, 721, 780, 781, 785; D6/397, 408, D6/512, 515, 552; 473/106, 132, 415, 422, 473/431, 432, 433, 447, 451, 460, 468, 470, 473/503, 569; 211/85.7, 14, 15, 59.2, 162; 221/65, 66, 175, 178, 191-194, 199, 281, 221/282, 283, 285

See application file for complete search history.

(56) **References Cited**

U.S. PATENT DOCUMENTS

- 3,319,797 A * 5/1967 Felstehausen 211/15
- 3,319,798 A * 5/1967 Stevens 211/15
- 3,606,022 A * 9/1971 Beesley 211/59.2

- 3,917,263 A * 11/1975 Wiley 473/433
- 4,282,848 A * 8/1981 Kulesza et al. 124/16
- 4,854,456 A * 8/1989 Lee 211/14
- 5,980,399 A * 11/1999 Campbell et al. 473/459
- D457,767 S * 5/2002 Schumacher D6/552
- D461,859 S * 8/2002 Dirks D21/720
- 6,679,794 B1 * 1/2004 Vitello et al. 473/433
- 6,949,034 B2 * 9/2005 Vitello et al. 473/433
- 2002/0155907 A1 * 10/2002 Bewley 473/451

* cited by examiner

Primary Examiner—Catherine Tuttle

(74) *Attorney, Agent, or Firm*—Werner & Axenfeld, P.C.

(57) **CLAIM**

The ornamental design for a sport ball storage and retrieval apparatus, as shown and described.

DESCRIPTION

FIG. 1 is a perspective view of a sport ball storage and retrieval apparatus showing the new design, the sport ball storage and retrieval apparatus being shown in its open position;

FIG. 2 is a side view thereof;

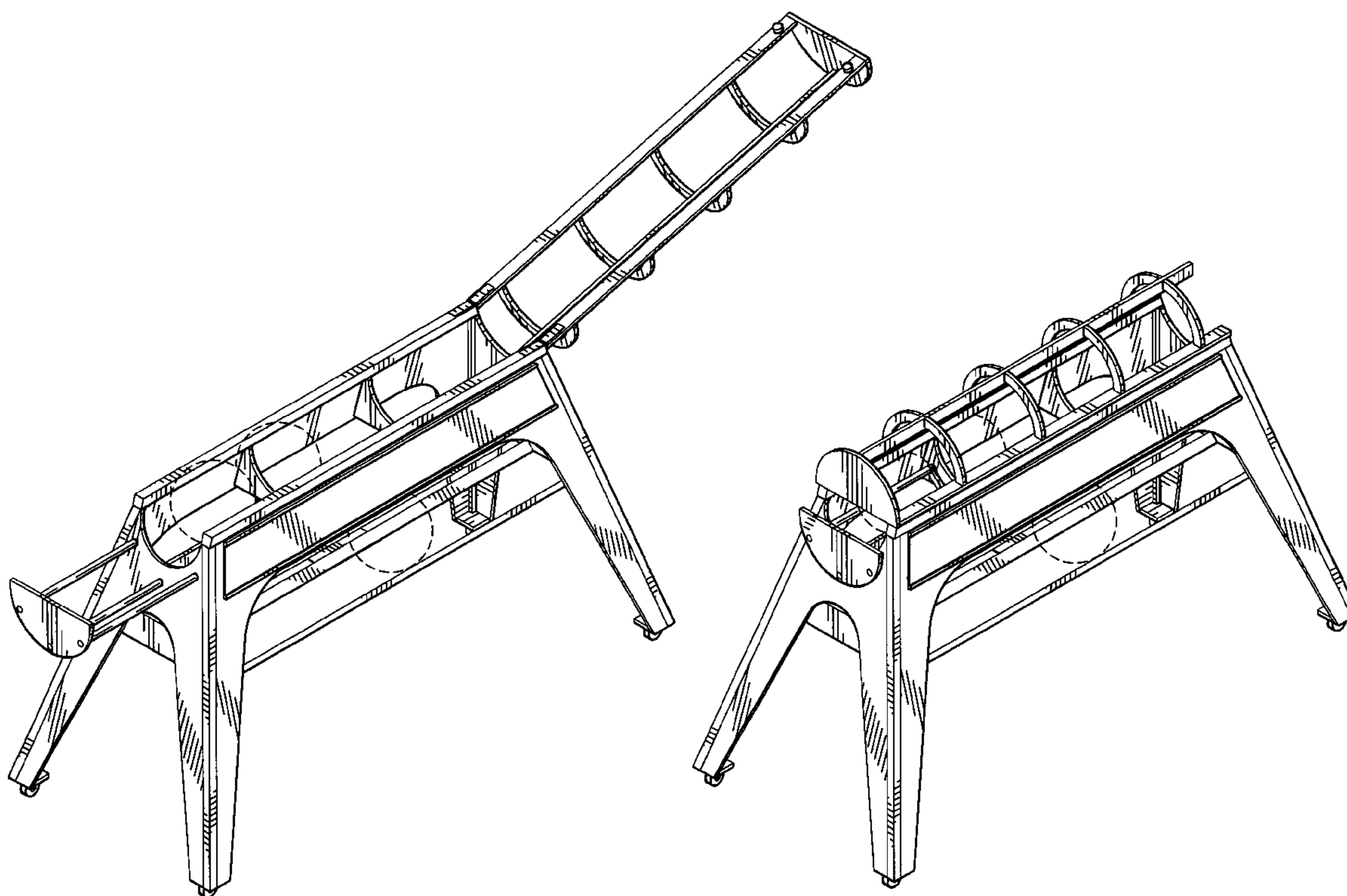
FIG. 3 is a top perspective view thereof;

FIG. 4 is a perspective view showing the design in an alternative closed position; and,

FIG. 5 is a side view of FIG. 4 .

The even broken lines of sport balls in the figures are environmental and form no part of the claimed design.

1 Claim, 4 Drawing Sheets



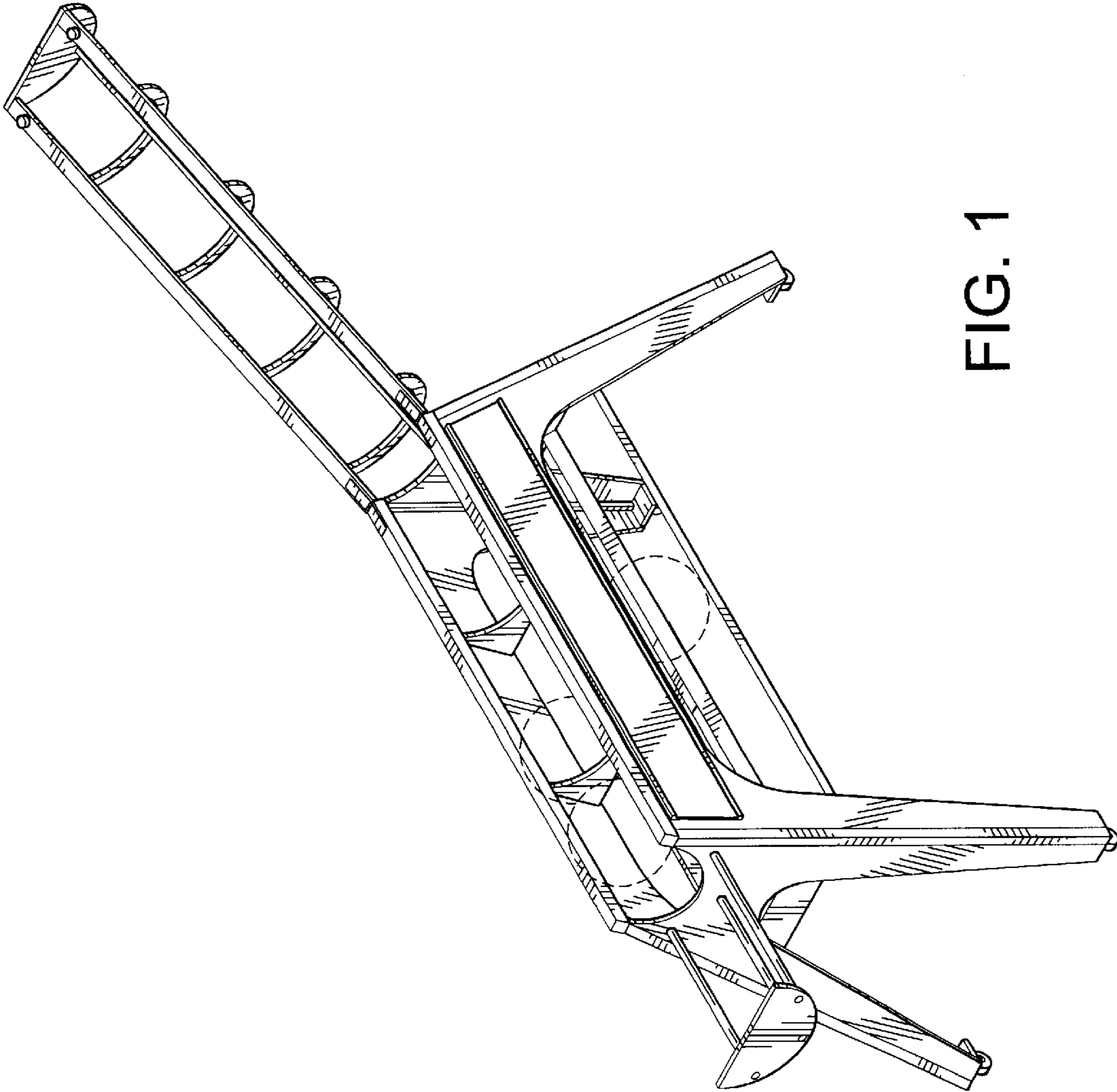


FIG. 1

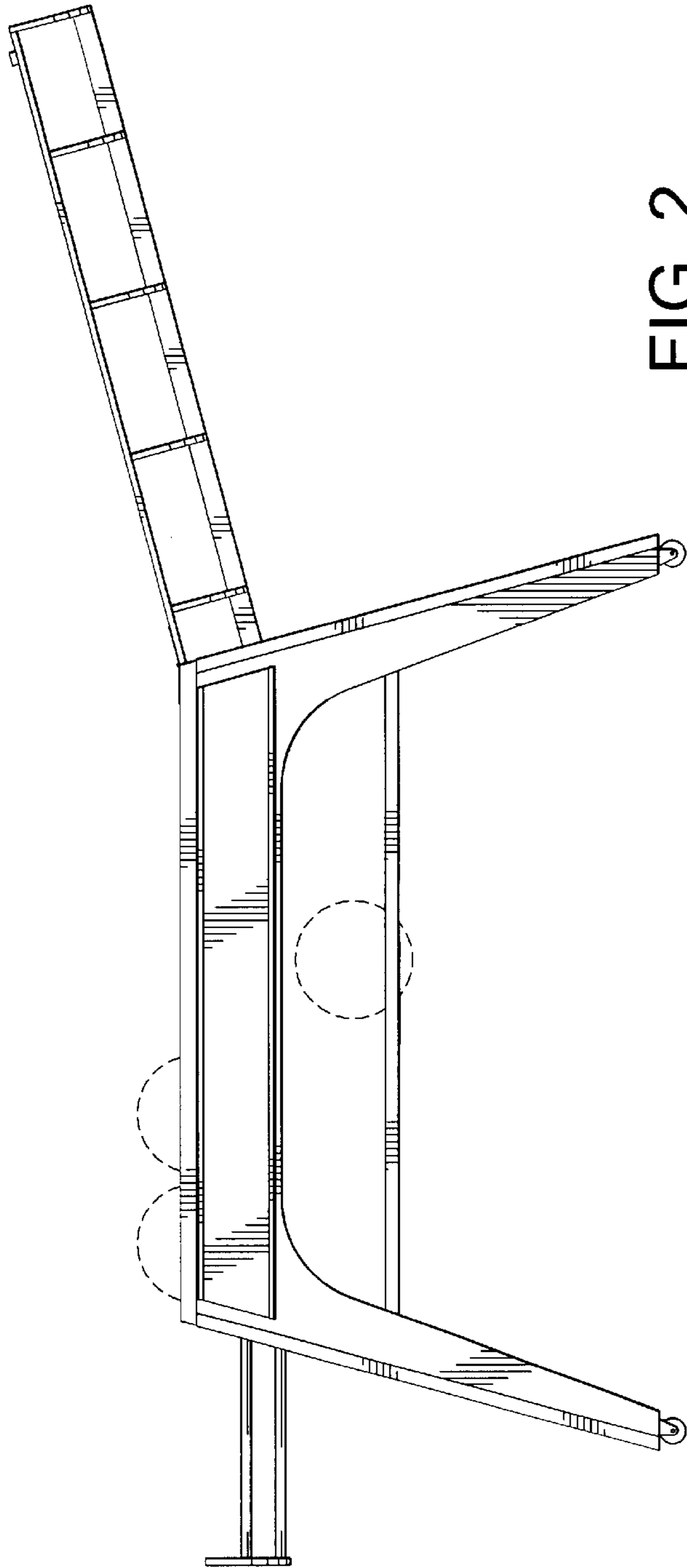


FIG. 2

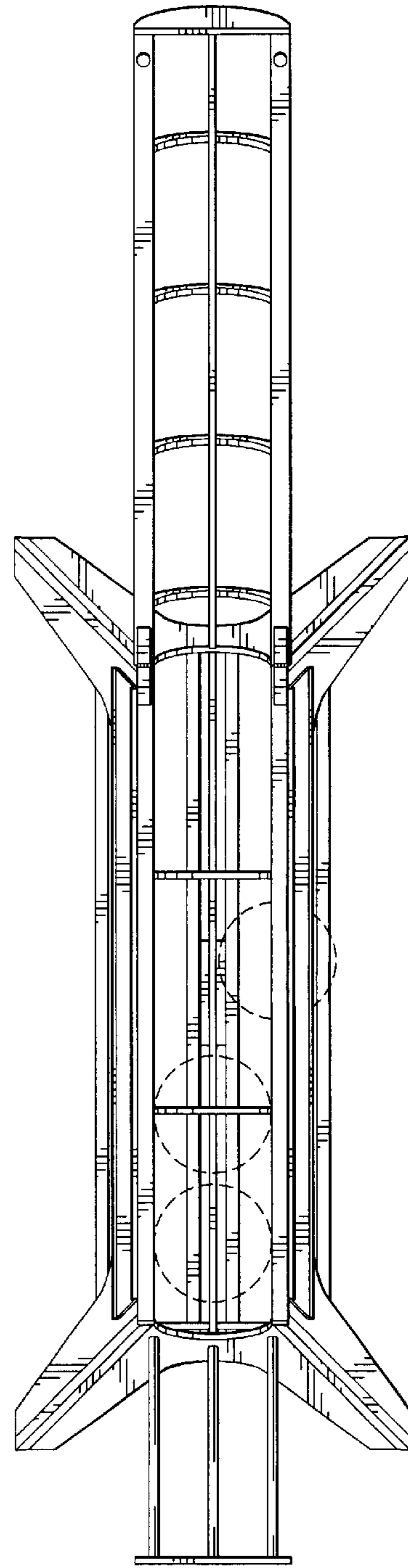


FIG. 3

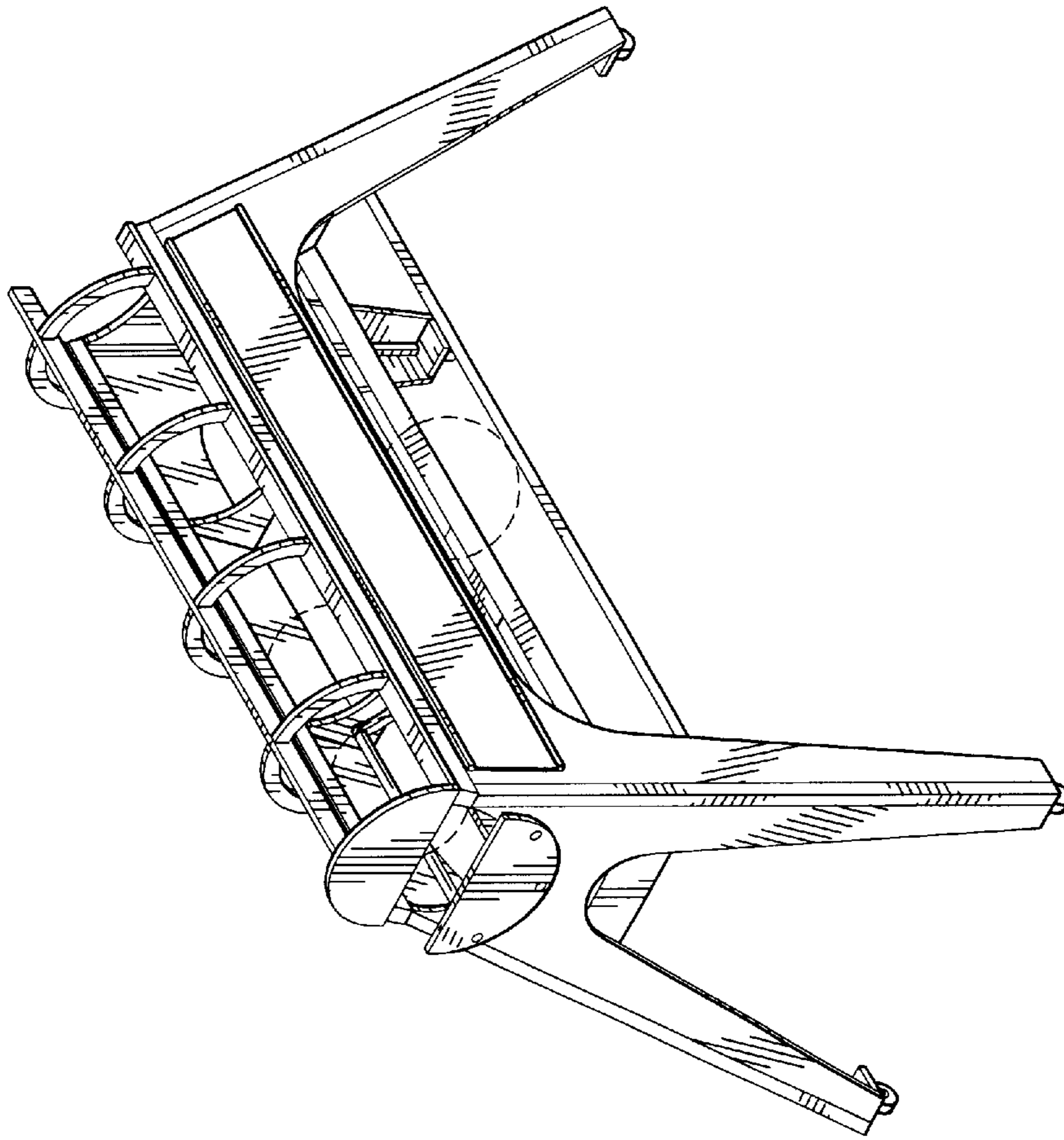


FIG. 4

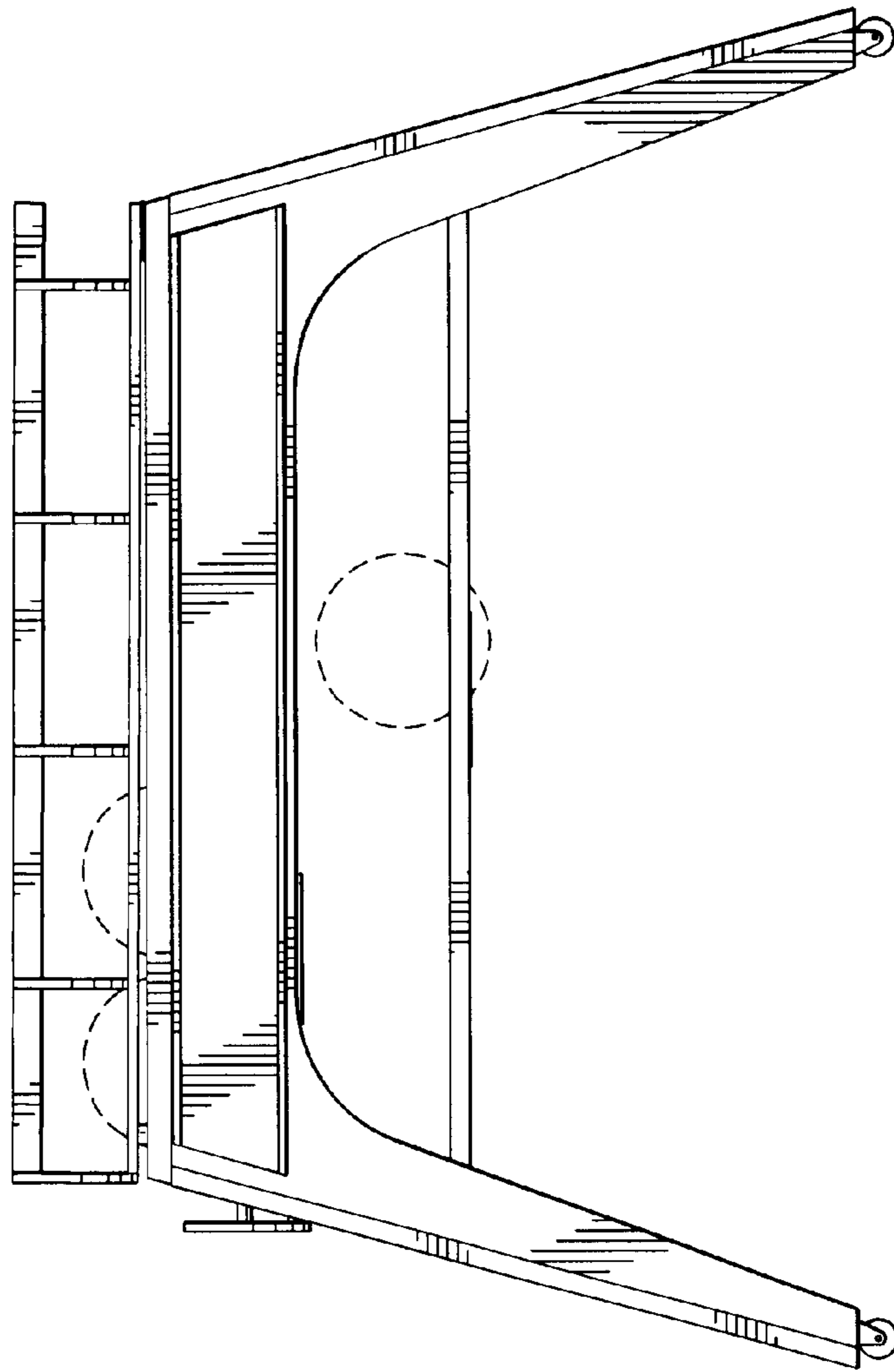


FIG. 5