



US00D540405S

(12) **United States Design Patent**
Crawford et al.

(10) **Patent No.:** **US D540,405 S**
(45) **Date of Patent:** **** Apr. 10, 2007**

(54) **ADJUSTABLE DUMBBELL**

4,453,710 A 6/1984 Plötz
4,529,197 A 7/1985 Gogarty

(75) Inventors: **Douglas A. Crawford**, Lafayette, CO (US); **Eric D. Golesh**, Thornton, CO (US); **Edward L. Flick**, Denver, CO (US); **Matthew Rauwerdink**, Westminster, CO (US)

(Continued)

FOREIGN PATENT DOCUMENTS

(73) Assignee: **Nautilus, Inc.**, Vancouver, WA (US)

(**) Term: **14 Years**

(21) Appl. No.: **29/164,826**

(22) Filed: **Jul. 31, 2002**

(51) **LOC (8) Cl.** **21-02**

(52) **U.S. Cl.** **D21/681**

(58) **Field of Classification Search** D21/662,
D21/680, 681, 682, 683, 684; 482/105, 106,
482/107, 108

CH	384485	11/1964
EP	177643	4/1986
FR	637365	4/1928
FR	1468902	2/1967
FR	2452296	10/1980
FR	2613237	10/1988
JP	10118222	5/1998
SU	1258447	9/1986
SU	1643024	7/1987
SU	1367987	1/1988
SU	1389789 A2	4/1988
SU	1659073	6/1991
SU	1687271	10/1991
SU	1780780	12/1992
WO	WO 03/063969 A3	8/2003
WO	WO 03/063969 A2	8/2003
WO	03/089070 A1	10/2003

See application file for complete search history.

OTHER PUBLICATIONS

(56) **References Cited**

UK fitness supplies.co.uk, located at <http://www.ukfitness-supplies.co.uk>, 3 pages (First publ. date unknown, website pages printed on Aug. 5, 2003).

U.S. PATENT DOCUMENTS

Primary Examiner—Philip S. Hyder
(74) *Attorney, Agent, or Firm*—Dorsey & Whitney LLP

772,906 A	10/1904	Reach	
848,272 A	3/1907	Thornley	
1,053,109 A	2/1913	Reach	
1,422,888 A	7/1922	Reeves et al.	
1,672,944 A	6/1928	Jowett	
1,779,594 A	10/1930	Hall	
1,917,566 A	7/1933	Wood	
3,647,209 A	3/1972	La Lanne	
3,758,109 A	9/1973	Bender	
3,771,785 A	11/1973	Speyer	
3,825,253 A	7/1974	Speyer	
3,912,261 A	10/1975	Lambert, Sr.	272/58
3,913,908 A	10/1975	Speyer	
D244,628 S	6/1977	Wright	
4,029,312 A	6/1977	Wright	
4,076,236 A	2/1978	Ionel	
4,349,192 A	9/1982	Lambert, Jr. et al.	
RE31,113 E	12/1982	Coker et al.	
4,411,424 A	10/1983	Barnett	272/118

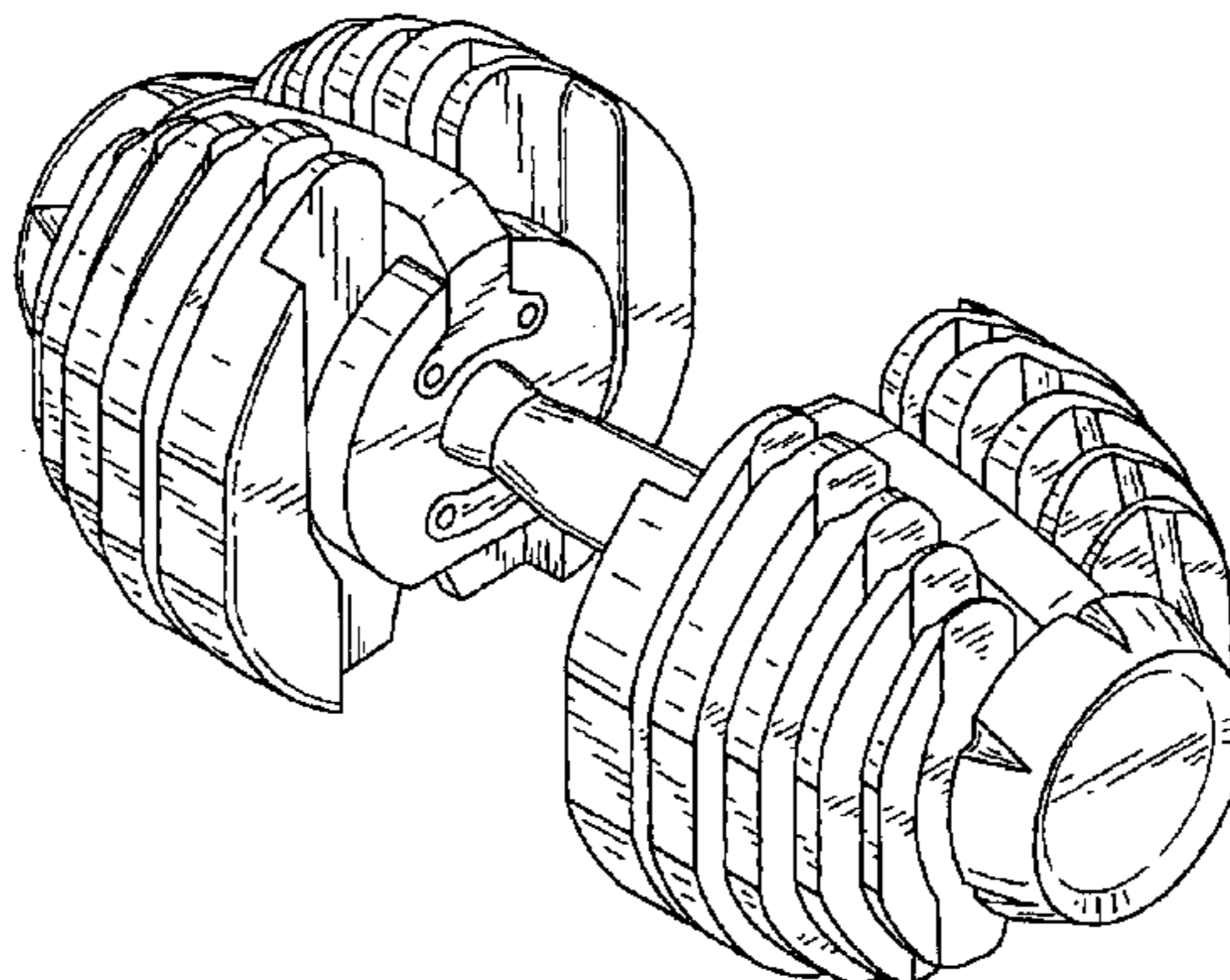
(57) **CLAIM**

The ornamental design for an adjustable dumbbell, as shown and described.

DESCRIPTION

FIG. 1 is a perspective view of the adjustable dumbbell of the present invention;
FIG. 2 is a front elevation view thereof;
FIG. 3 is a rear elevation view thereof;
FIG. 4 is a right side elevation view thereof;
FIG. 5 is a left side elevation view thereof;
FIG. 6 is a top plan view thereof; and,
FIG. 7 is a bottom plan view thereof.

1 Claim, 4 Drawing Sheets



US D540,405 S

U.S. PATENT DOCUMENTS					
4,529,198 A	7/1985	Hettick, Jr.	5,776,040 A	7/1998	Webb et al.
4,538,805 A	9/1985	Parviainen	5,779,604 A	7/1998	Towley, III et al. 482/108
4,540,171 A	9/1985	Clark et al.	5,839,997 A	11/1998	Roth et al. 482/107
4,546,971 A	10/1985	Raasoch 272/118	5,853,355 A	12/1998	Standish 482/106
4,566,690 A	1/1986	Schook	5,876,313 A	3/1999	Krull 482/98
4,568,078 A	2/1986	Weiss	5,879,274 A	3/1999	Mattox
4,575,074 A	3/1986	Damratoski	5,971,899 A	10/1999	Towley, III et al. 482/108
4,601,466 A	7/1986	Lais 272/118	6,033,350 A	3/2000	Krull 482/98
4,624,457 A	11/1986	Silberman et al.	6,039,678 A	3/2000	Dawson 482/107
4,627,615 A	12/1986	Nurkowski	D422,654 S *	4/2000	Chen D21/681
4,627,618 A	12/1986	Schwartz	6,083,144 A	7/2000	Towley, III et al. 482/107
4,651,988 A	3/1987	Sobel	6,099,442 A	8/2000	Krull 482/107
4,712,793 A	12/1987	Harwick et al.	6,123,651 A	9/2000	Ellenburg
4,730,828 A	3/1988	Lane	6,149,558 A	11/2000	Chen
4,743,017 A	5/1988	Jaeger	6,186,927 B1	2/2001	Krull 482/98
4,768,780 A	9/1988	Hayes	6,186,928 B1	2/2001	Chen 482/107
4,787,629 A	11/1988	DeMyer	6,196,952 B1	3/2001	Chen 482/107
4,809,973 A	3/1989	Johns 272/118	6,228,003 B1	5/2001	Hald et al. 482/107
4,822,034 A	4/1989	Shields	6,261,022 B1	7/2001	Dalebout et al. 402/107
4,834,365 A	5/1989	Jones	6,261,211 B1	7/2001	Suarez et al. 482/107
4,878,662 A	11/1989	Chern	6,322,481 B1	11/2001	Krull 482/107
4,878,663 A	11/1989	Luquette 272/134	6,328,678 B1	12/2001	Romero 482/106
4,880,229 A	11/1989	Broussard	6,350,221 B1	2/2002	Krull 482/142
4,900,016 A	2/1990	Caruthers	6,402,666 B2	6/2002	Krull 482/107
4,900,018 A	2/1990	Ish, III et al. 272/134	6,416,446 B1	7/2002	Krull 482/108
D307,168 S	4/1990	Vodhanel D21/681	6,422,979 B1	7/2002	Krull 482/98
4,913,422 A	4/1990	Elmore et al.	6,461,282 B1	10/2002	Fenelon 482/106
4,948,123 A	8/1990	Schook	6,500,101 B1	12/2002	Chen 482/107
4,971,305 A	11/1990	Rennex	D468,946 S	1/2003	Harms et al. D6/552
4,982,957 A	1/1991	Shields	D469,294 S	1/2003	Harms et al. D6/552
D315,003 S	2/1991	Huang D21/681	6,540,650 B1	4/2003	Krull 482/107
5,000,446 A	3/1991	Sarno 272/118	6,582,345 B2	6/2003	Roy
5,037,089 A	8/1991	Spagnuolo et al. 272/134	6,629,910 B1	10/2003	Krull 482/98
5,040,787 A	8/1991	Brotman	6,656,093 B2	12/2003	Chen
D321,230 S	10/1991	Leonesio D21/681	6,669,606 B2	12/2003	Krull 482/98
5,102,124 A	4/1992	Diodati 482/107	6,679,816 B1	1/2004	Krull 482/107
5,123,885 A	6/1992	Shields 482/106	6,682,464 B2	1/2004	Shifferaw
5,131,898 A	7/1992	Panagos 482/108	6,719,672 B1	4/2004	Ellis et al.
5,135,453 A	8/1992	Sollenberger	6,719,674 B2	4/2004	Krull 482/106
D329,563 S	9/1992	Rasmussen D6/552	6,733,424 B2	5/2004	Krull 482/98
5,171,199 A	12/1992	Panagos 482/106	6,746,381 B2	6/2004	Krull 482/108
5,221,244 A	6/1993	Doss 482/106	6,749,547 B2	6/2004	Krull 482/106
5,263,915 A	11/1993	Habing 482/99	D498,272 S	11/2004	Sanford-Schwentke et al.
5,284,463 A	2/1994	Shields 482/107	D500,820 S	1/2005	Krull
5,306,221 A	4/1994	Itaru 482/98	6,855,097 B2	2/2005	Krull
5,344,375 A	9/1994	Cooper 482/106	6,872,173 B2	3/2005	Krull
5,374,229 A	12/1994	Sencil 482/98	6,902,516 B2	6/2005	Krull
5,407,413 A	4/1995	Kupferman 482/106	D508,628 S	8/2005	Crawford et al.
D359,778 S	6/1995	Towley, III et al. D21/681	2002/0107118 A1	8/2002	Shifferaw 482/106
5,433,687 A	7/1995	Hinzman et al.	2002/0115539 A1	8/2002	Krull 482/106
5,435,800 A	7/1995	Nelson 482/108	2002/0183174 A1	12/2002	Chen 482/108
D362,776 S	10/1995	Thorn D6/552	2003/0148862 A1	8/2003	Chen et al.
5,484,367 A	1/1996	Martinez 482/107	2003/0153439 A1	8/2003	Krull 482/99
5,607,379 A	3/1997	Scott 482/107	2003/0199368 A1	10/2003	Krull 482/106
5,628,716 A	5/1997	Brice 482/106	2003/0199369 A1	10/2003	Krull 482/107
5,630,776 A	5/1997	Yang 482/104	2004/0005968 A1	1/2004	Crawford et al. 482/106
5,637,064 A	6/1997	Olson et al. 482/108	2004/0023765 A1	2/2004	Krull 482/142
5,669,861 A	9/1997	Toups 482/98	2004/0072661 A1	4/2004	Krull 482/106
5,749,814 A	5/1998	Chen	2004/0138031 A1	7/2004	Krull 482/104
5,769,762 A	6/1998	Towley, III et al. 482/93	2005/0079961 A1	4/2005	Dalebout et al.

* cited by examiner

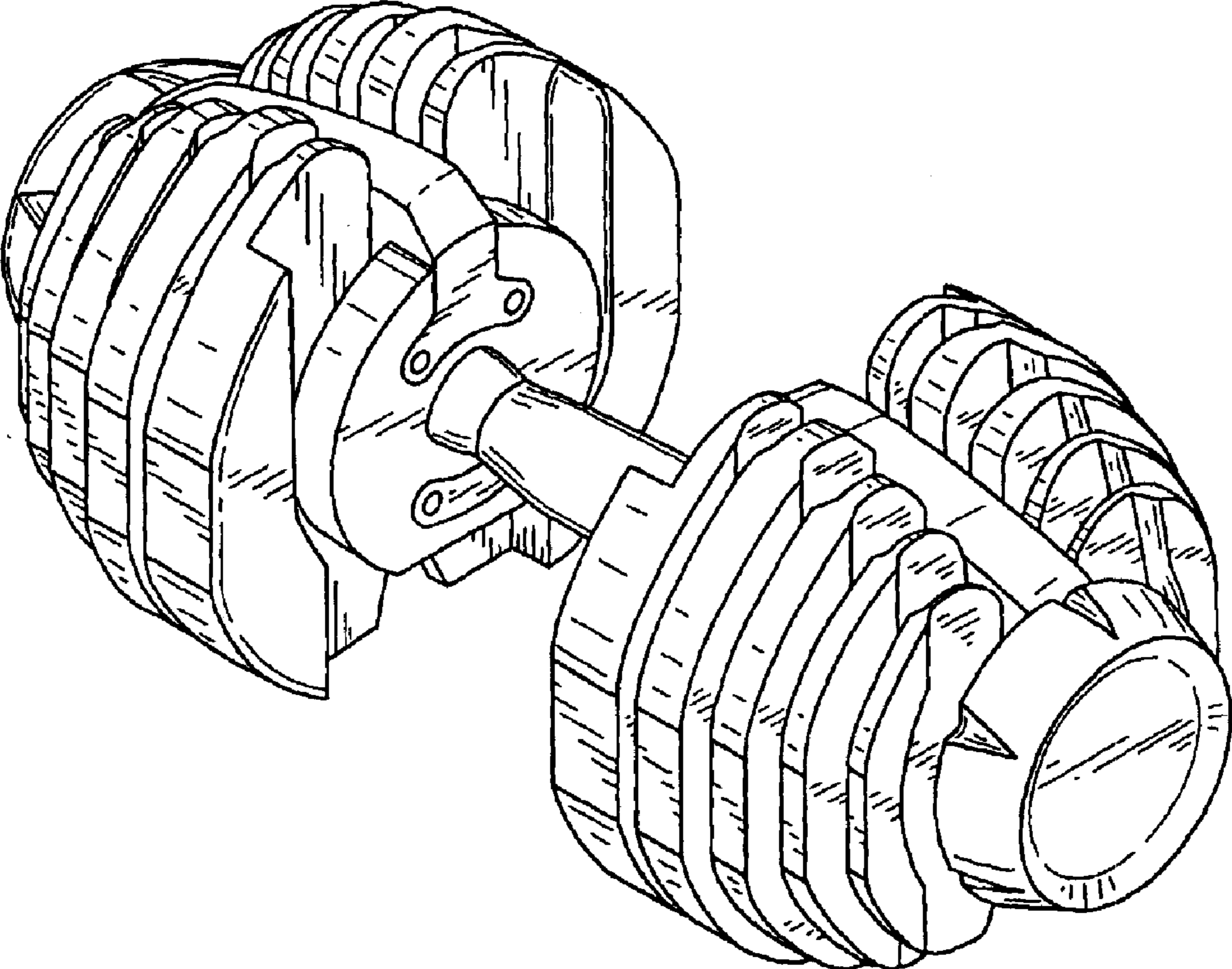


FIG. 1

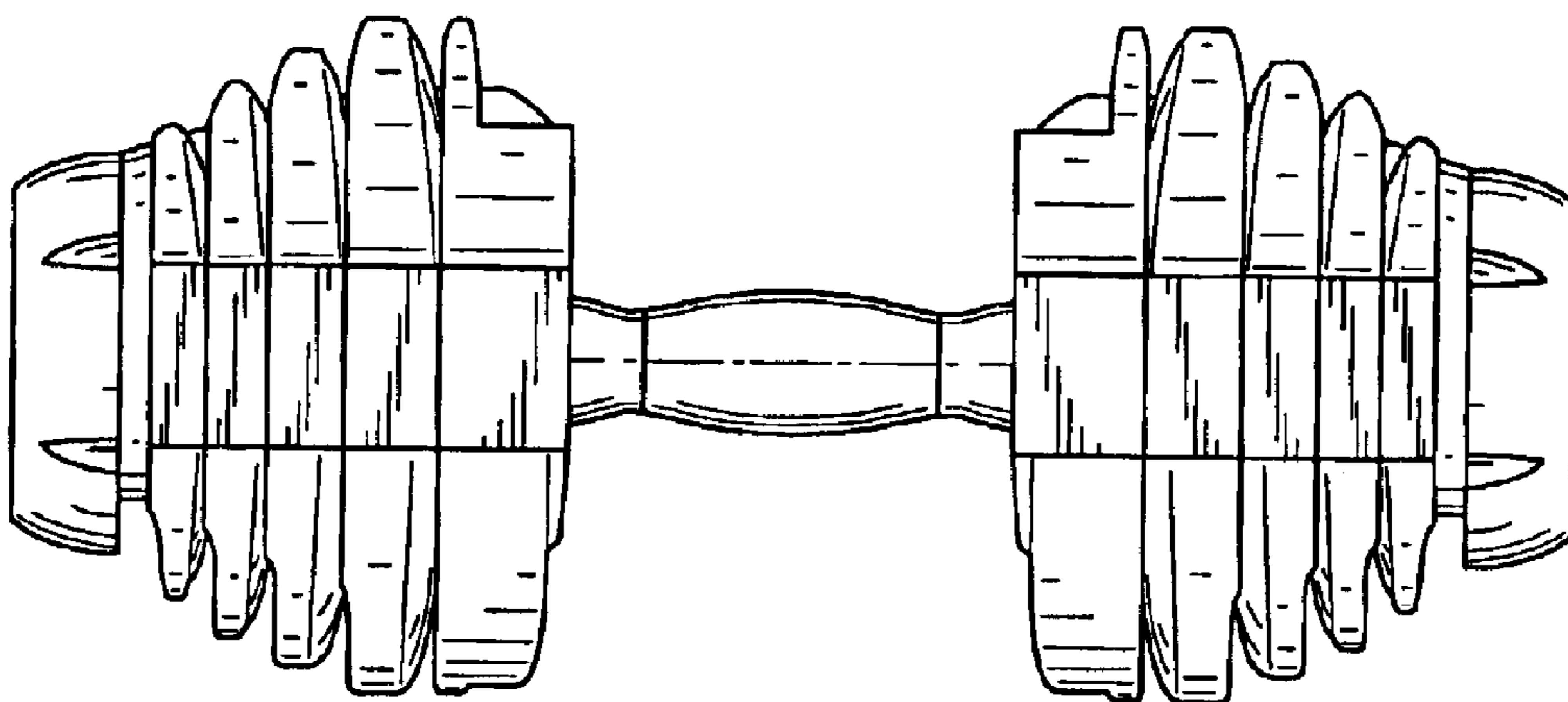


FIG. 2

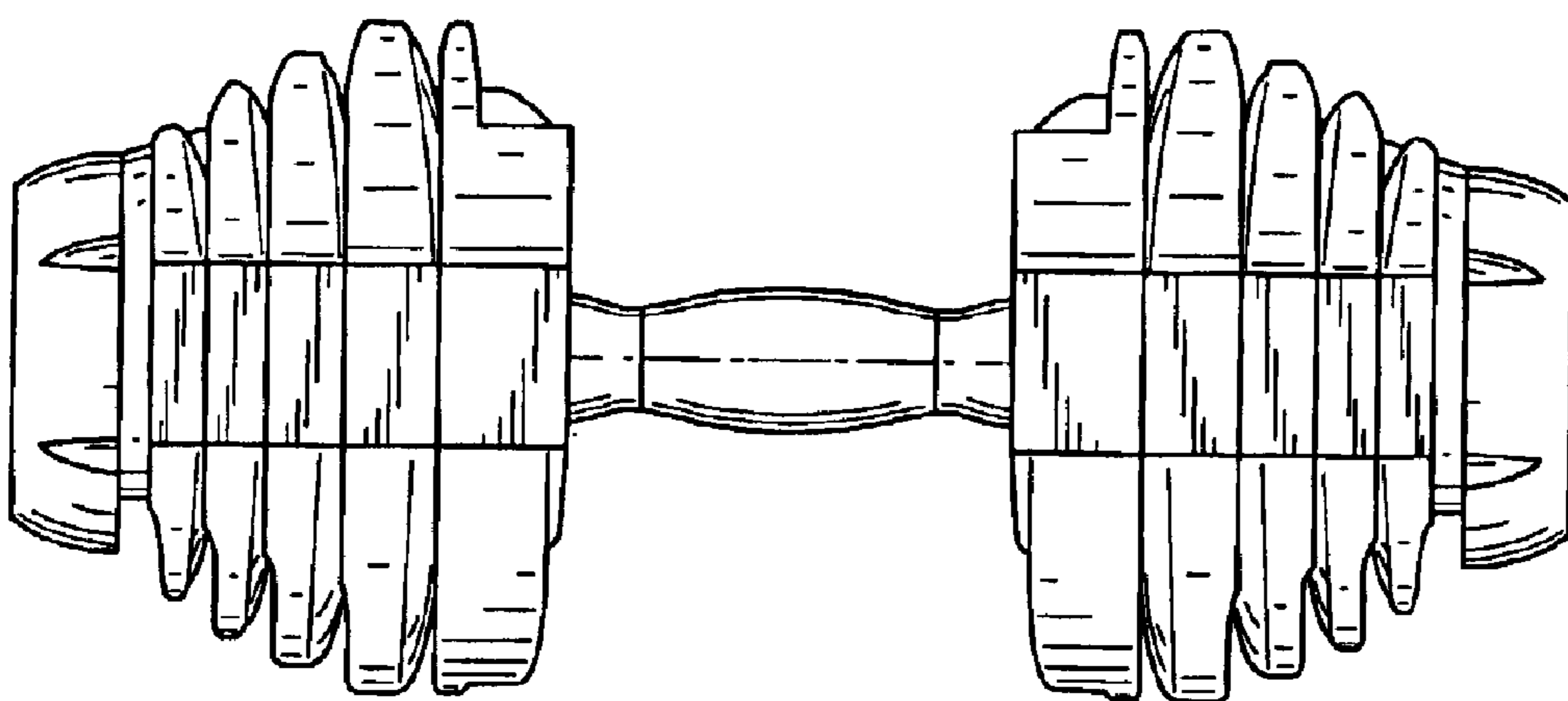


FIG. 3

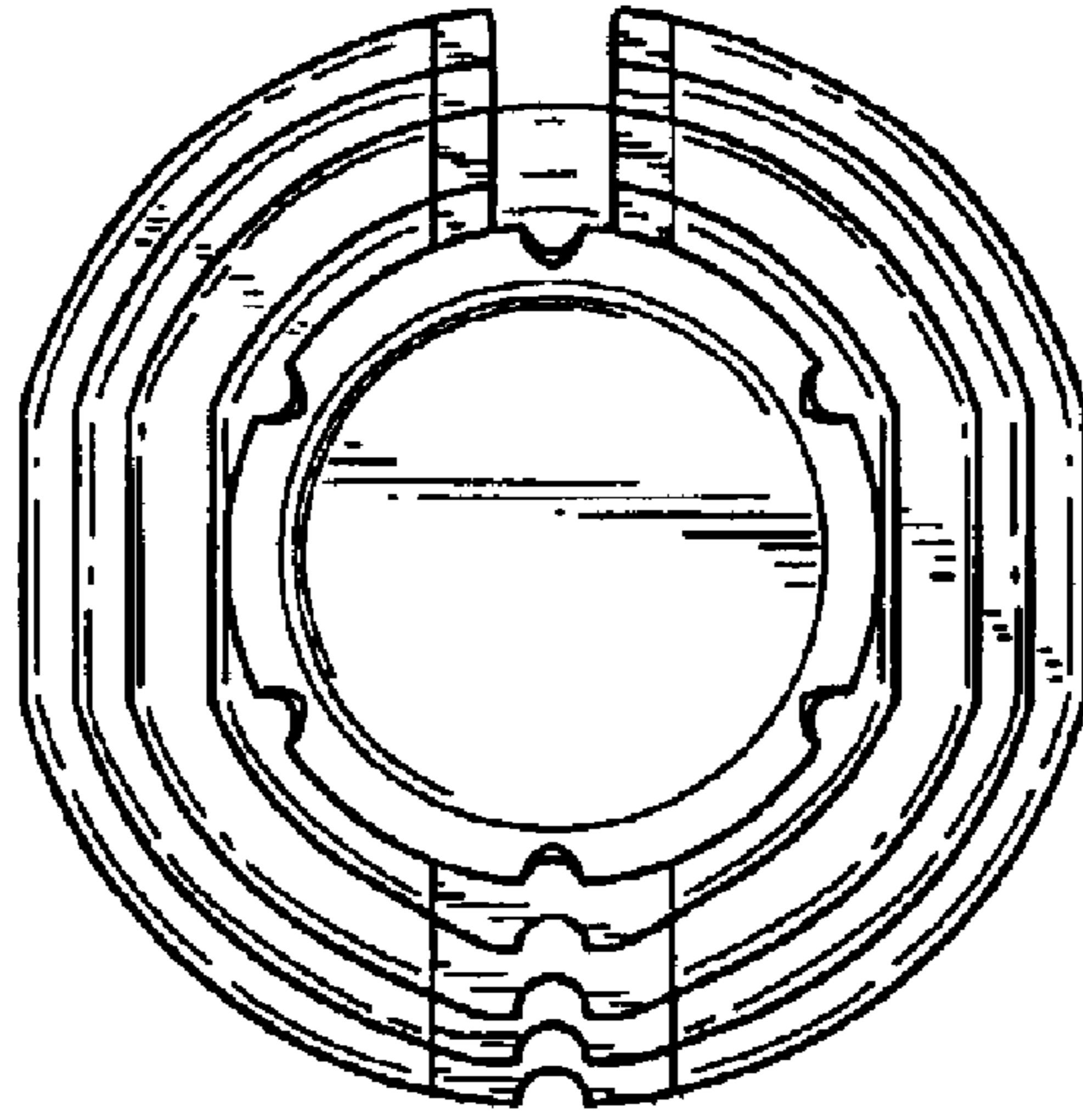


FIG. 4

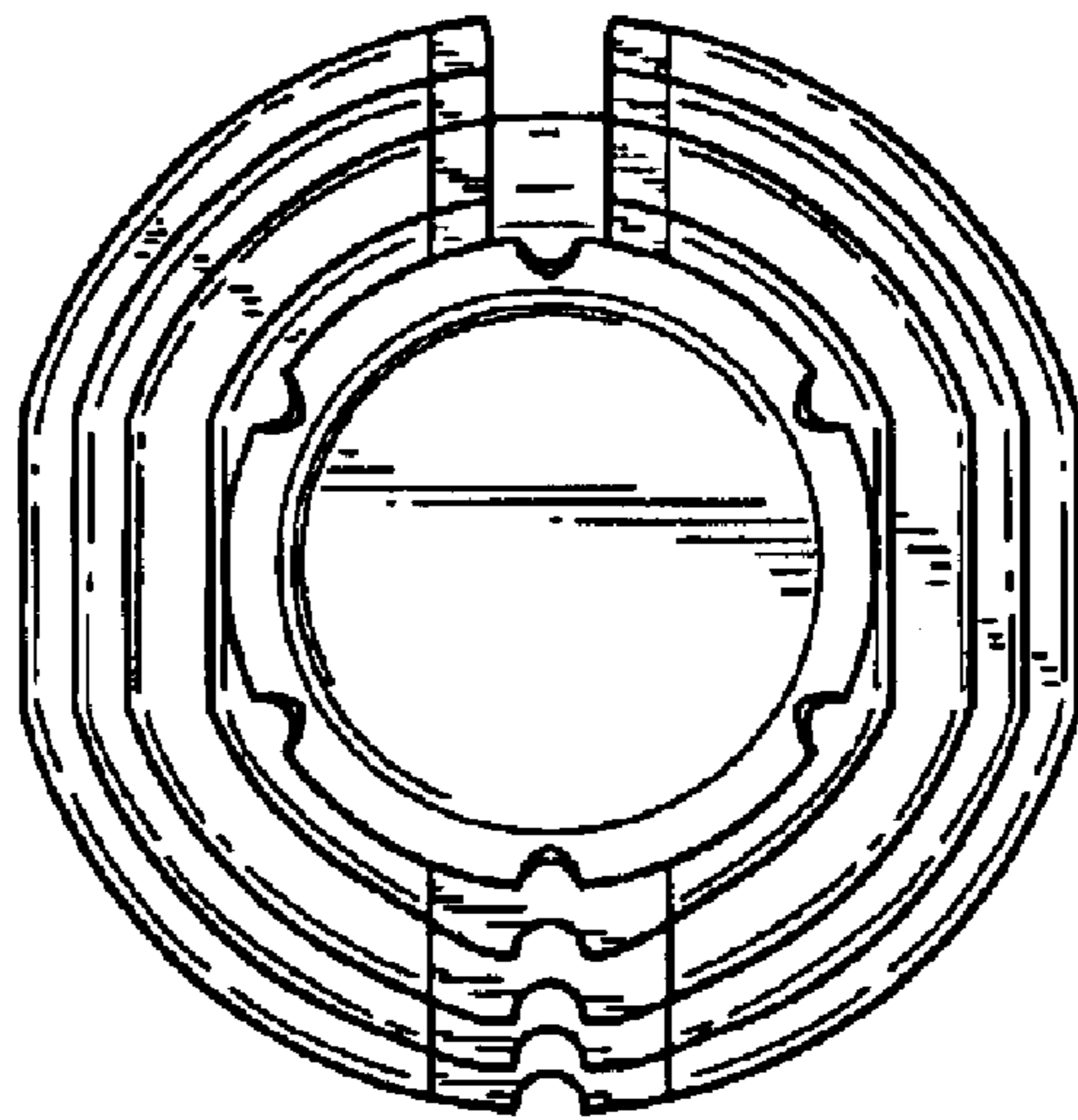


FIG. 5

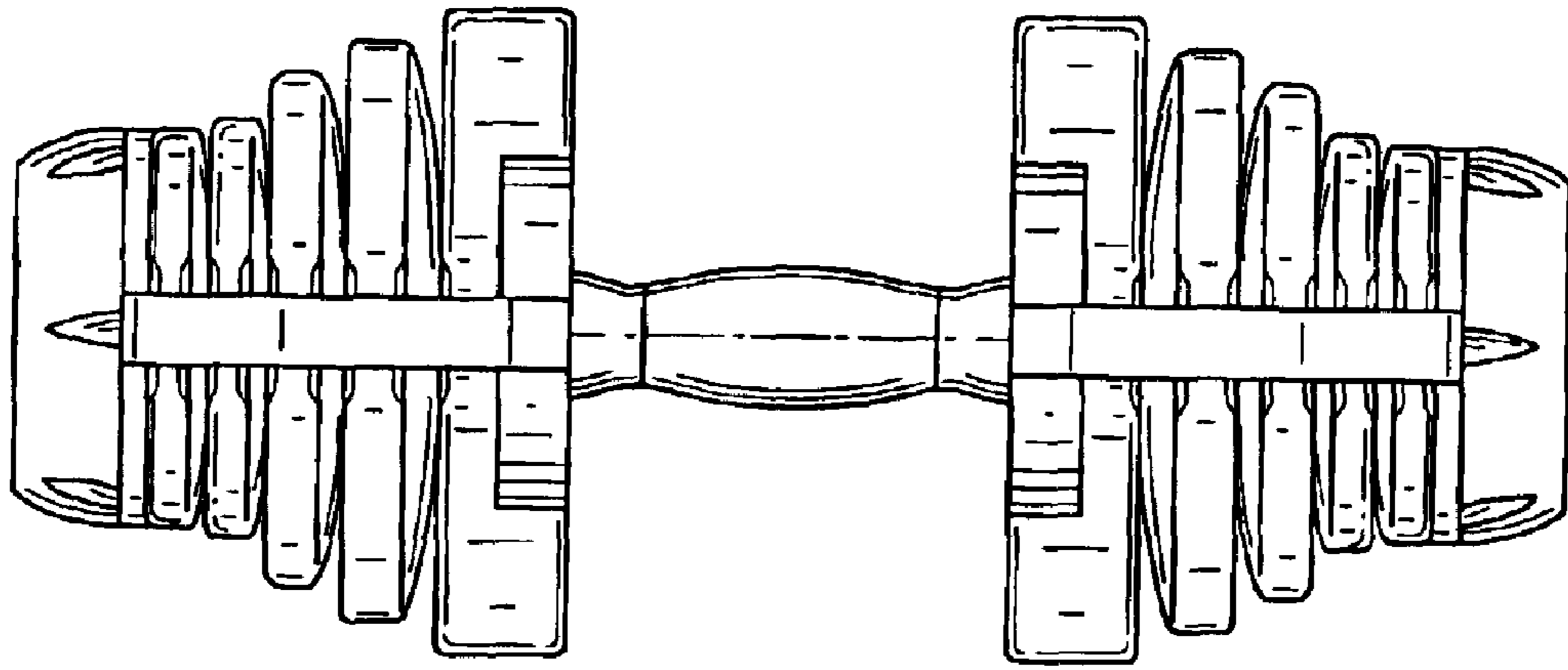


FIG. 6

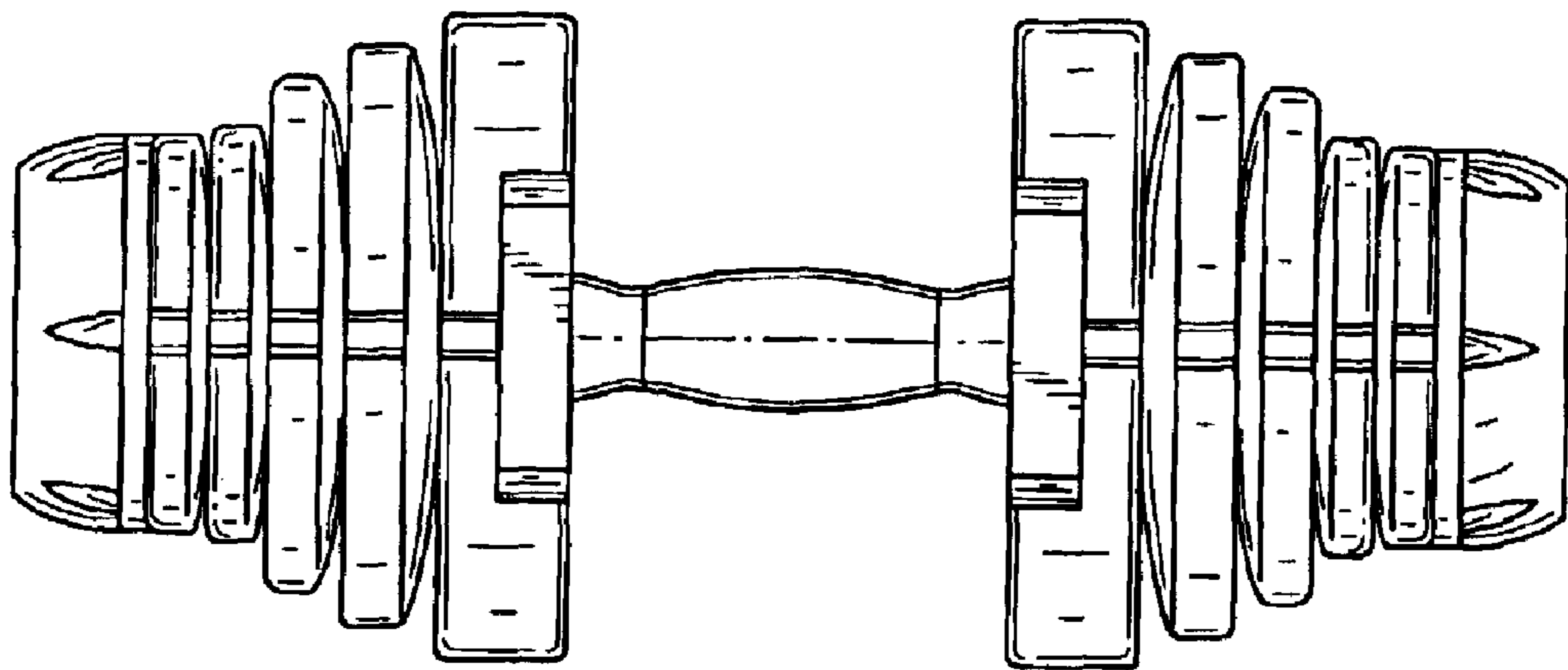


FIG. 7

UNITED STATES PATENT AND TRADEMARK OFFICE
CERTIFICATE OF CORRECTION

PATENT NO. : Des. 540,405 S
APPLICATION NO. : 29/164826
DATED : April 10, 2007
INVENTOR(S) : Douglas A. Crawford et al.

Page 1 of 1

It is certified that error appears in the above-identified patent and that said Letters Patent is hereby corrected as shown below:

Title page, Item (56), References Cited, U.S. PATENT DOCUMENTS, insert the following:

--2004/0005969 A1 01/2004 Chen...482/107--.

Signed and Sealed this

Twenty-sixth Day of June, 2007

A handwritten signature in black ink on a light gray dotted background. The signature reads "Jon W. Dudas" in a cursive style.

JON W. DUDAS

Director of the United States Patent and Trademark Office