

US00D540400S

(12) **United States Design Patent**
Starr

(10) **Patent No.:** **US D540,400 S**

(45) **Date of Patent:** **** Apr. 10, 2007**

(54) **THREE-WHEELED VEHICLE**

D480,665 S * 10/2003 Gunter et al. D12/112
D489,771 S * 5/2004 Laver et al. D21/423

(75) Inventor: **Gary Starr**, Santa Rosa, CA (US)

* cited by examiner

(73) Assignee: **Zap**, Santa Rosa, CA (US)

Primary Examiner—Raphael Barkai
Assistant Examiner—Randall H. Gholson

(**) Term: **14 Years**

(74) *Attorney, Agent, or Firm*—Jay P. Hendrickson

(21) Appl. No.: **29/213,997**

(57) **CLAIM**

(22) Filed: **Sep. 24, 2004**

The ornamental design for a three-wheeled vehicle, as shown and described.

(51) **LOC (8) Cl.** **21-01**

(52) **U.S. Cl.** **D21/423; D21/435**

(58) **Field of Classification Search** D21/419–435,
D21/533, 760, 765, 771; D12/107, 110–112;
280/87.01, 87.021, 87.041, 87.042, 281.1,
280/288.1–288.3, 261, 278, 287; 180/219–231,
180/216, 181

See application file for complete search history.

DESCRIPTION

FIG. 1 is a front perspective view of a three-wheeled vehicle showing the design.

FIG. 2 is a front elevational view of the three-wheeled vehicle showing the design.

FIG. 3 is a left side elevational view of the three-wheeled vehicle showing the design.

FIG. 4 is a rear elevational view of the three-wheeled vehicle showing the design.

FIG. 5 is a right side elevational view of the three-wheeled vehicle showing the design.

FIG. 6 is a top plan view of the three-wheeled vehicle showing the design; and,

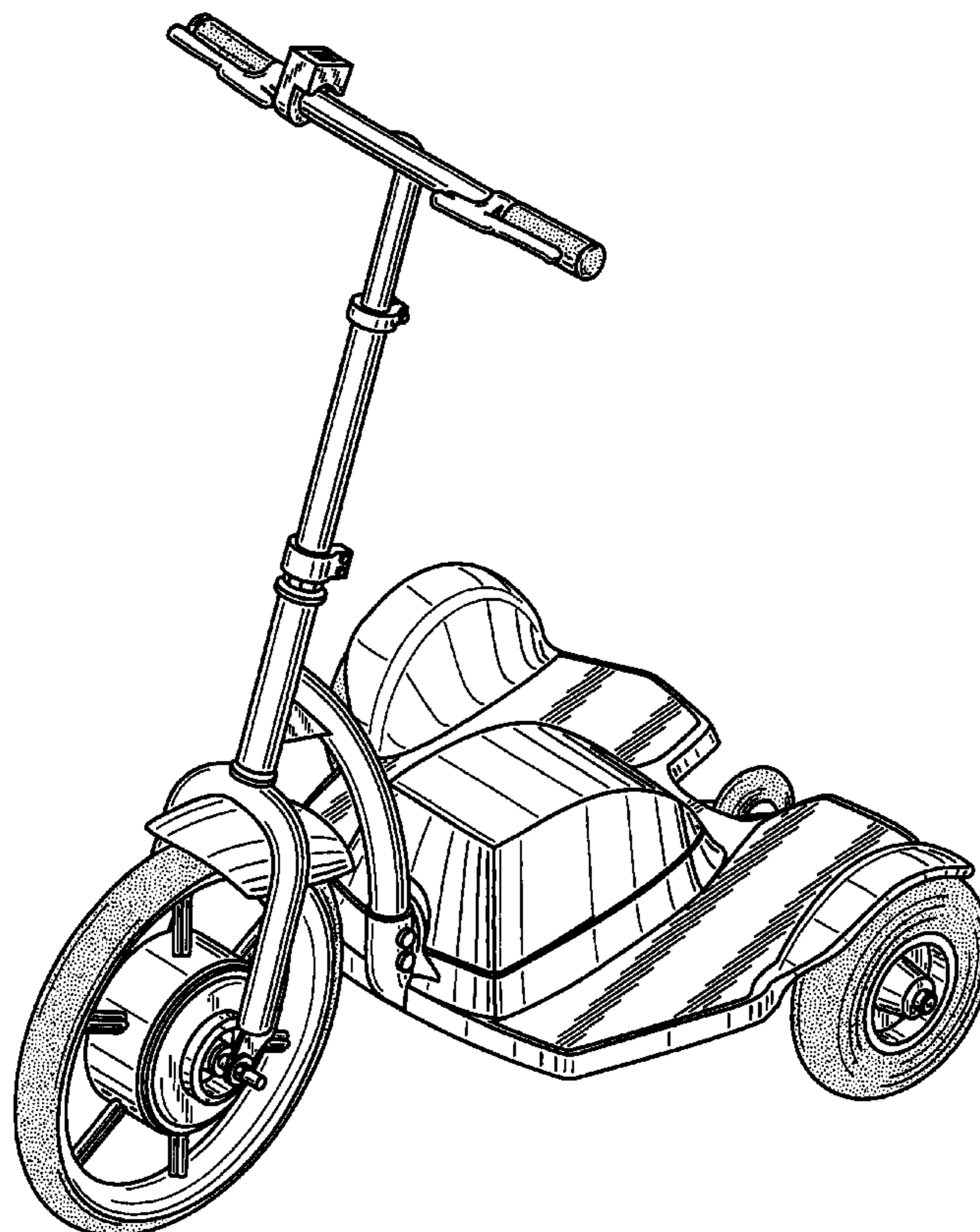
FIG. 7 is a bottom plan view of the three-wheeled vehicle showing the design.

(56) **References Cited**

U.S. PATENT DOCUMENTS

5,894,898	A	*	4/1999	Catto	180/2.2
D414,220	S	*	9/1999	Catto	D21/423
D434,350	S	*	11/2000	Van Der Linden	D12/112
D437,007	S	*	1/2001	Lerch	D21/432
D441,184	S	*	5/2001	Haapala	D3/207
D443,000	S	*	5/2001	Chen	D21/423
D445,145	S	*	7/2001	Yang	D21/423

1 Claim, 7 Drawing Sheets



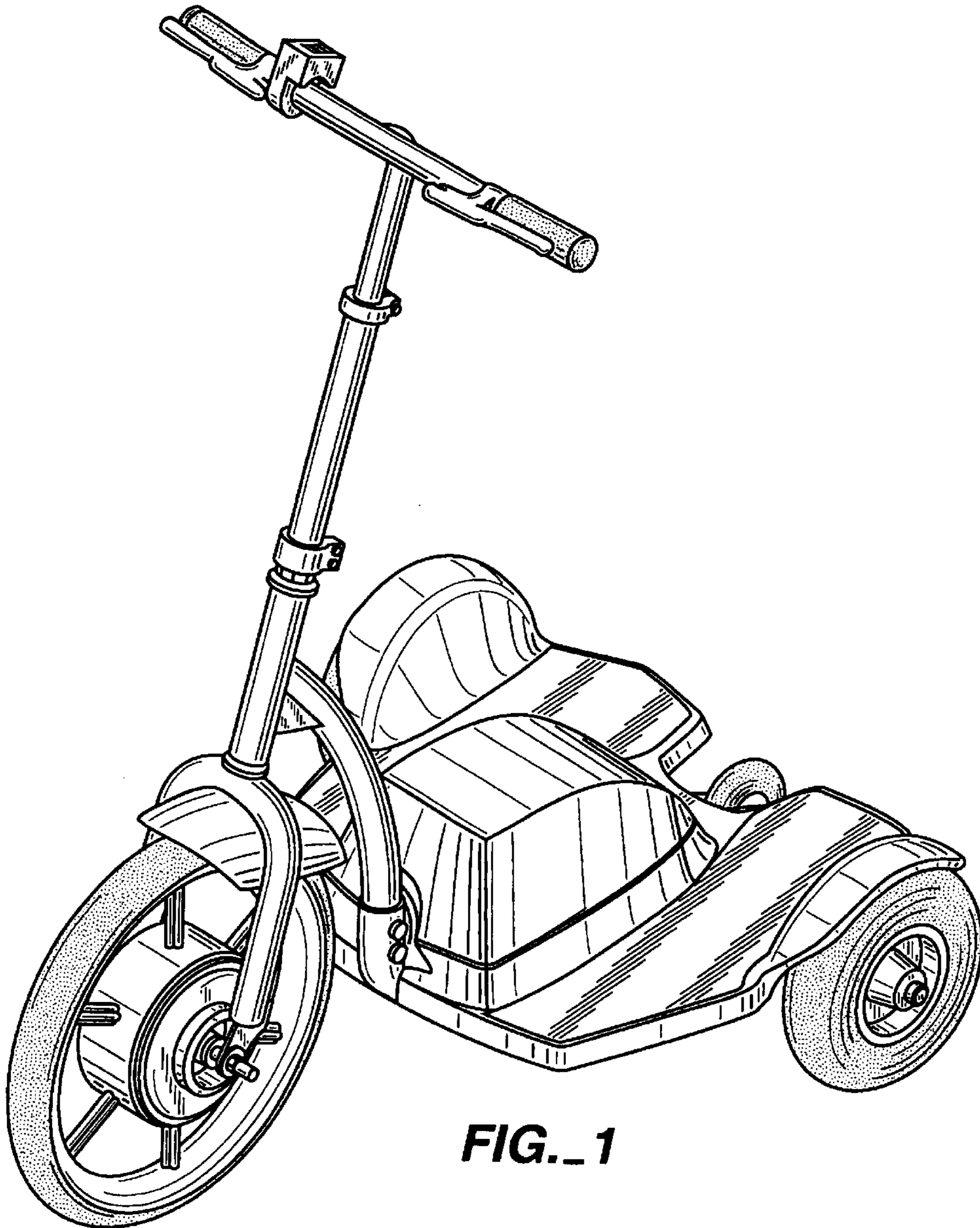


FIG. 1

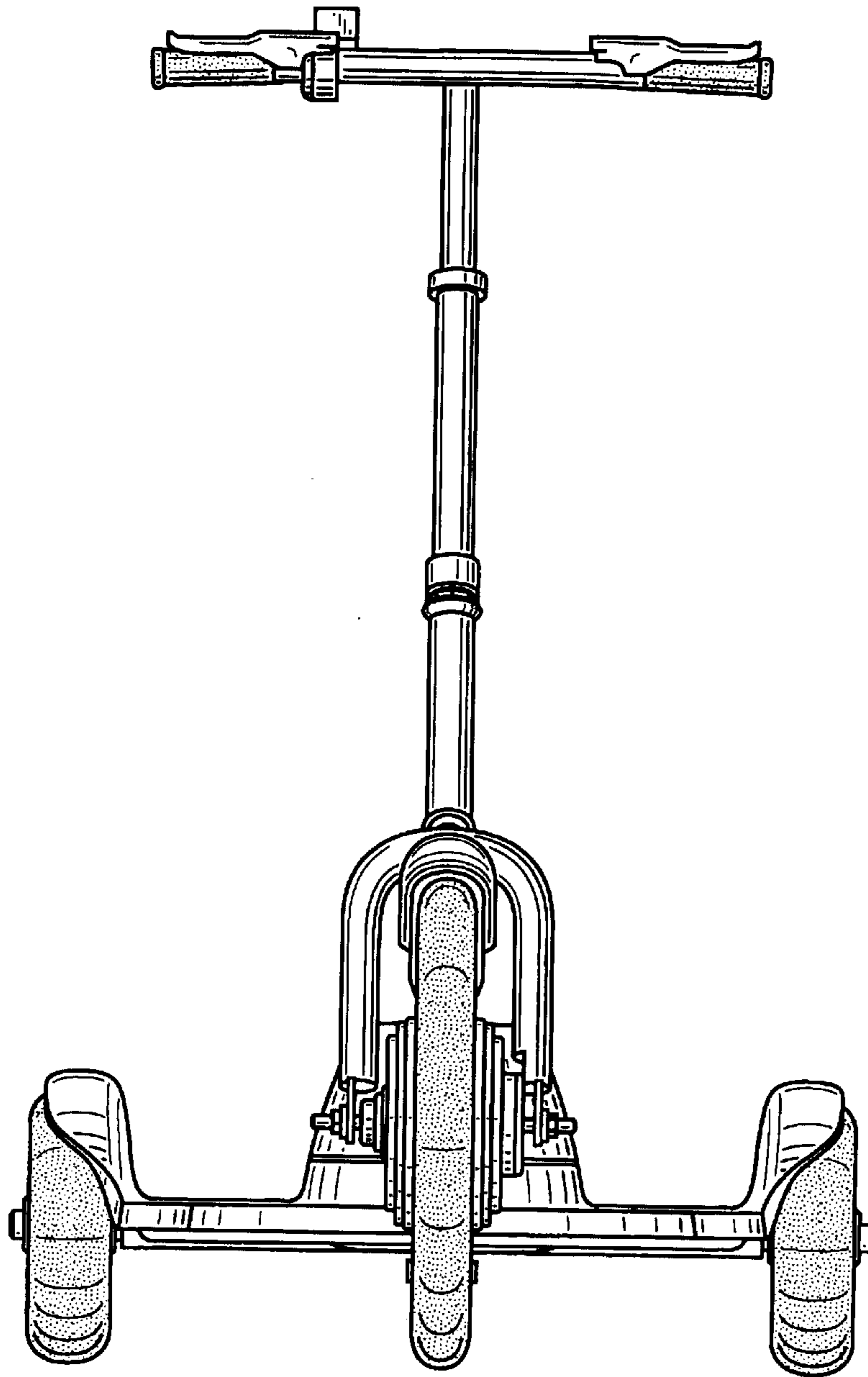


FIG. 2

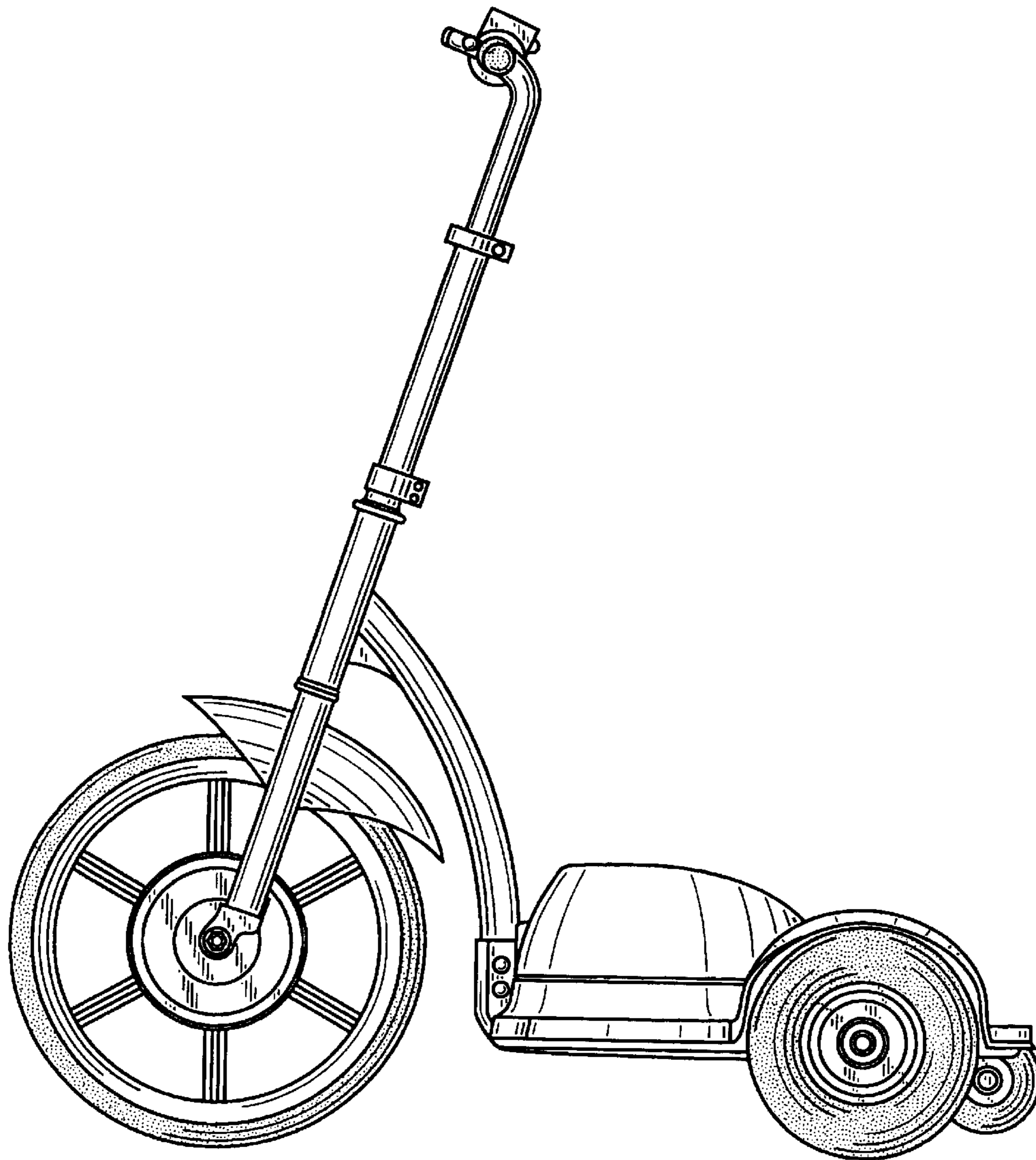


FIG. 3

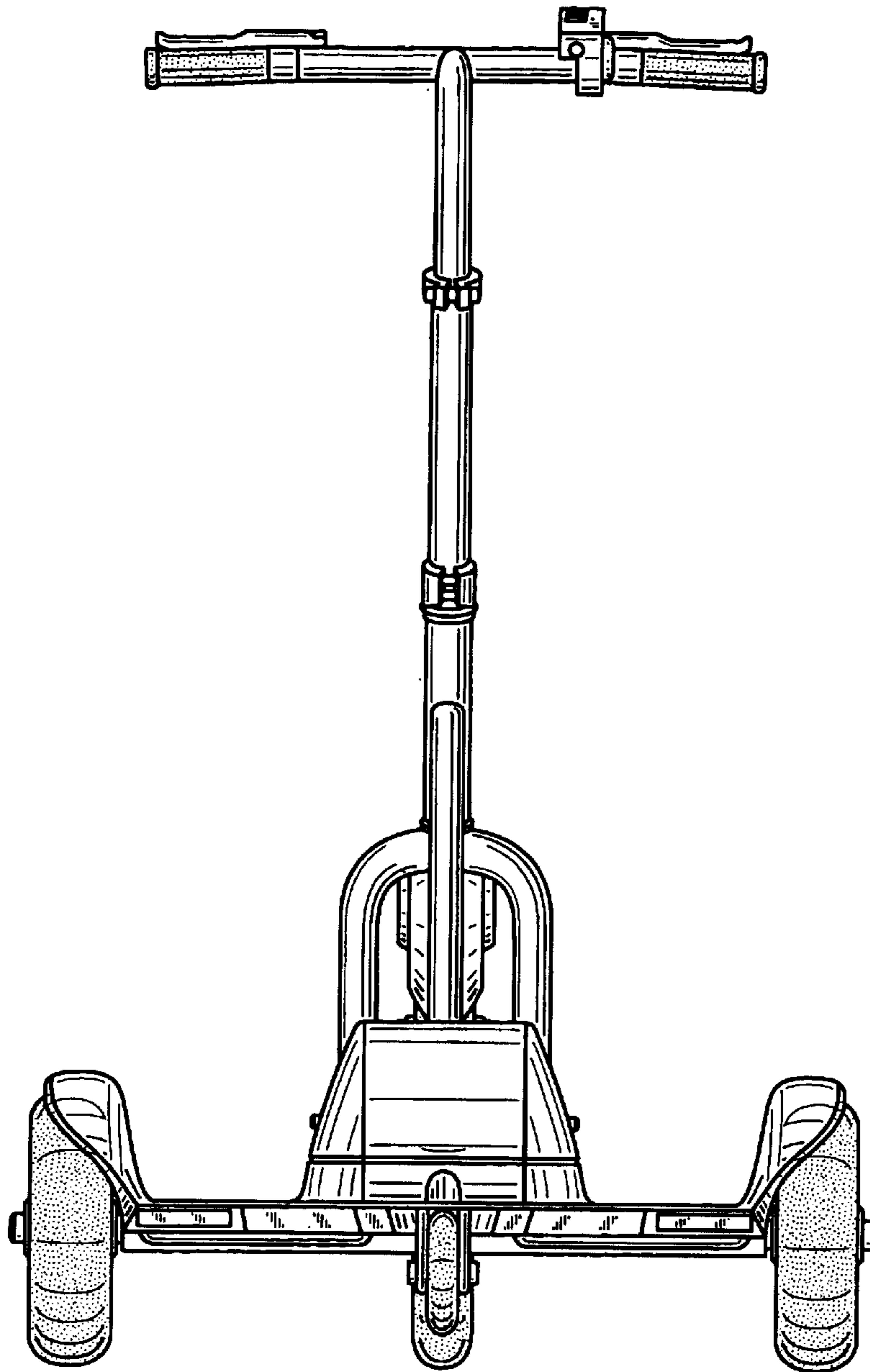


FIG. 4

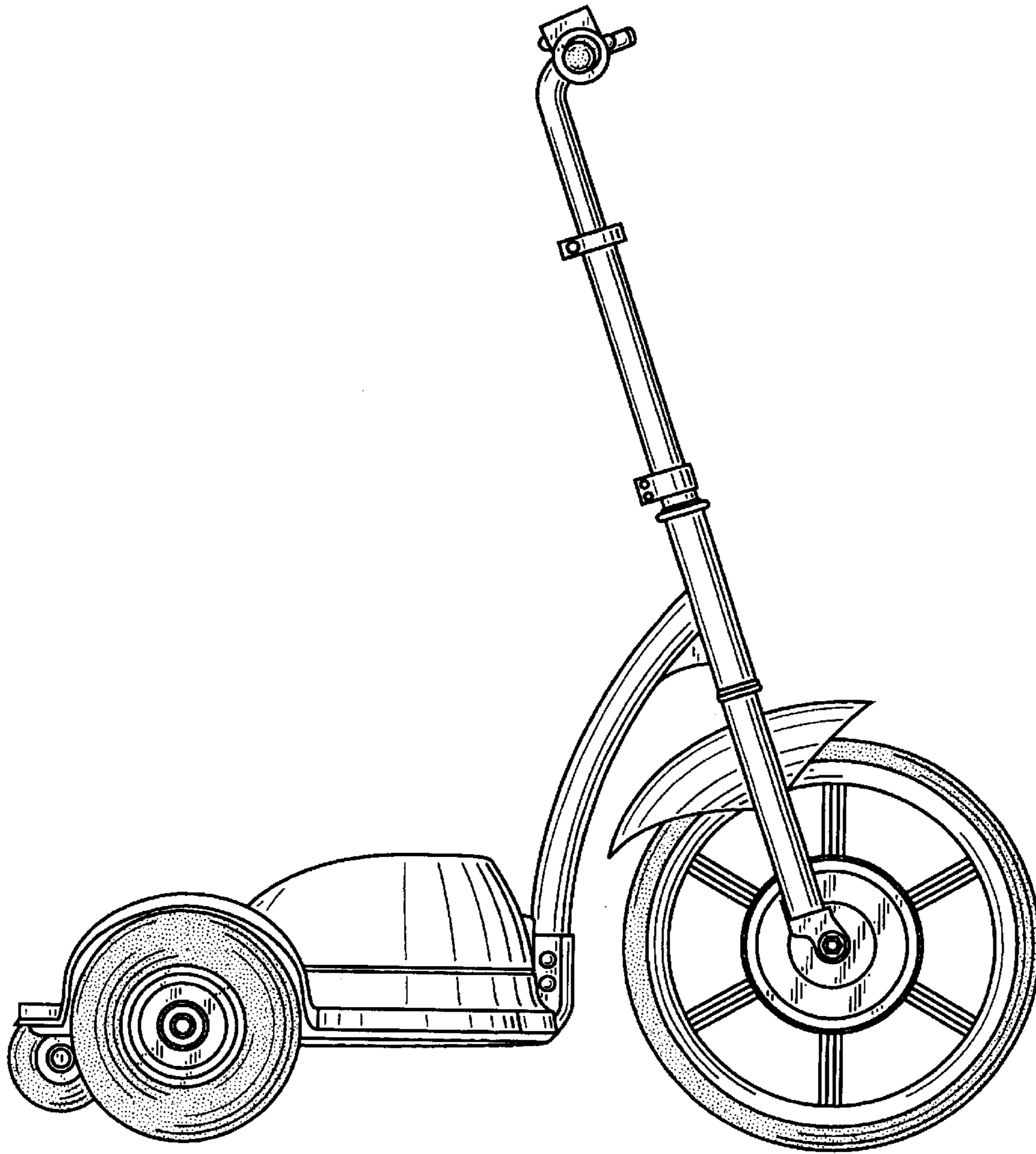


FIG. 5

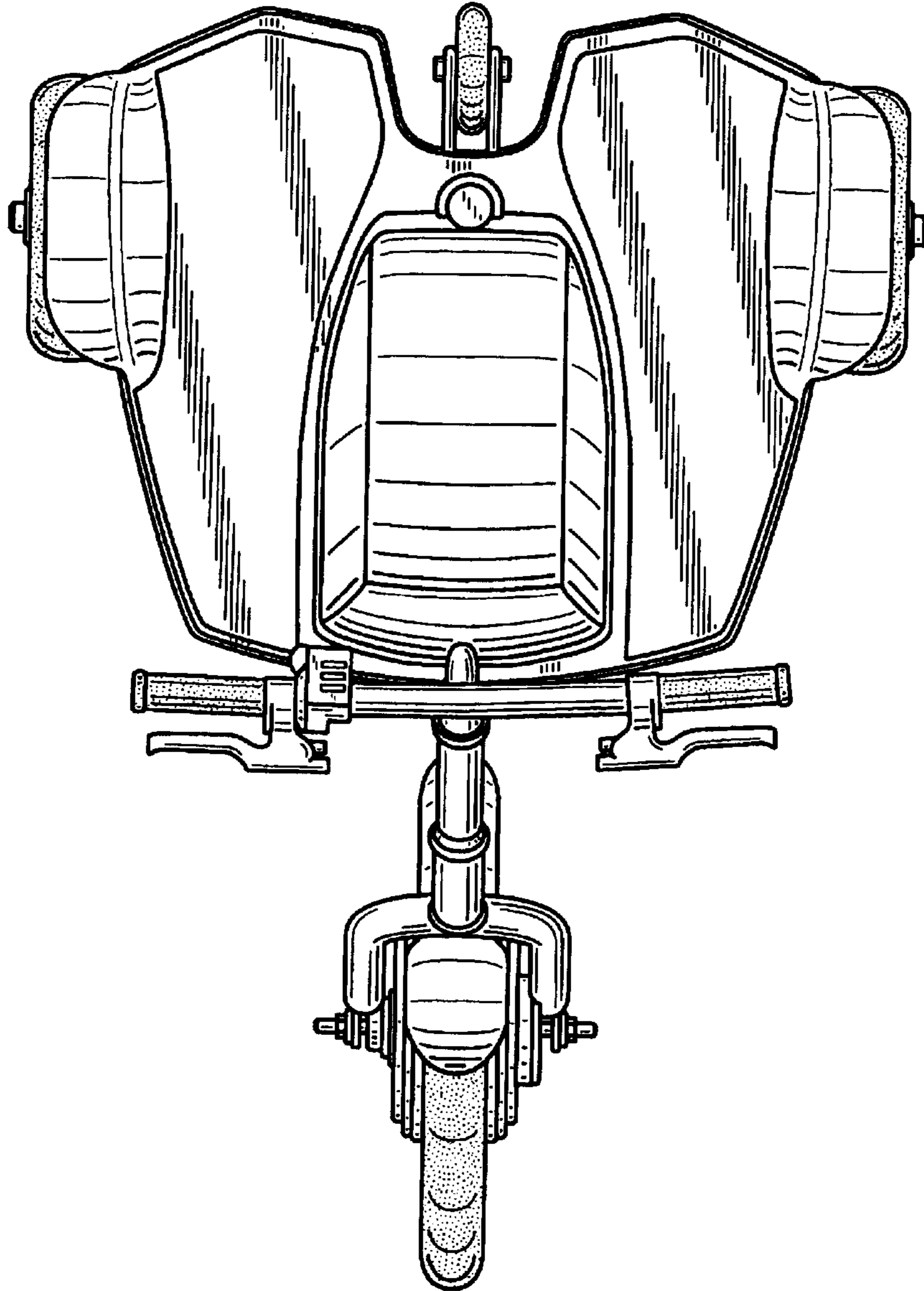


FIG. 6

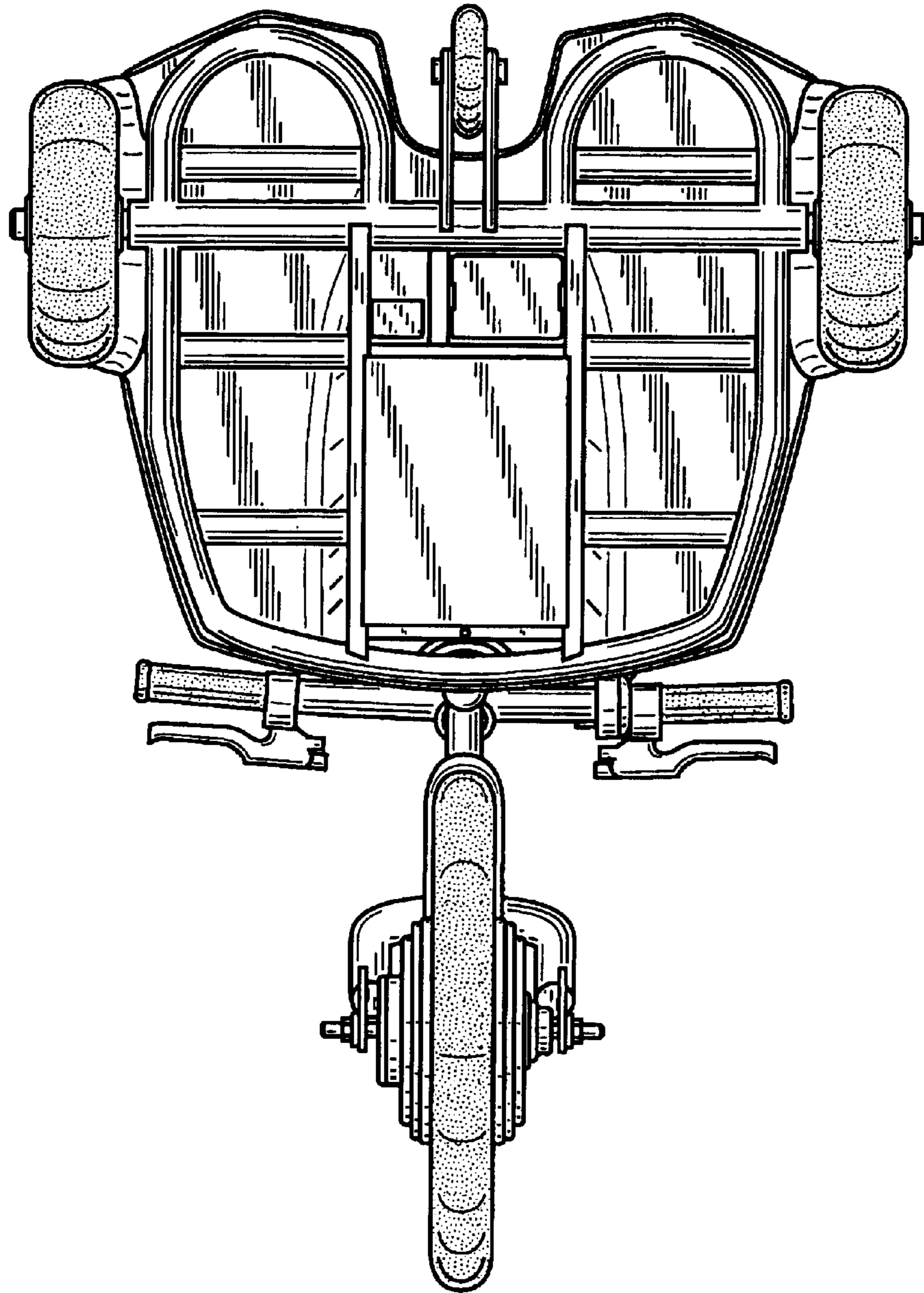


FIG. 7