

US00D540394S

(12) **United States Design Patent**
Simasko

(10) **Patent No.:** **US D540,394 S**

(45) **Date of Patent:** **** Apr. 10, 2007**

(54) **ADVERTISING DEVICE**

(75) Inventor: **Thomas M. Simasko**, Mt. Clemens, MI (US)

(73) Assignee: **Spirit Realty, Inc.**, Mt. Clemens, MI (US)

(**) Term: **14 Years**

(21) Appl. No.: **29/252,971**

(22) Filed: **Jan. 31, 2006**

(51) **LOC (8) Cl.** **20-03**

(52) **U.S. Cl.** **D20/43; D20/99**

(58) **Field of Classification Search** D20/10, D20/11, 13, 15, 17, 22, 27, 40, 42, 43, 99; D8/354; D12/193, 400; D19/89, 90; 40/124.01, 40/200, 206, 209, 210, 591, 592, 593, 643; 428/179, 914

See application file for complete search history.

(56) **References Cited**

U.S. PATENT DOCUMENTS

679,462	A	*	7/1901	Kennedy et al.	40/503
D117,447	S	*	11/1939	Campbell et al.	D20/43
D179,424	S	*	12/1956	Olejniczak	D6/472
2,828,562	A	*	4/1958	Warren	40/493
3,712,263	A	*	1/1973	Faragosa	116/28 R
4,182,059	A	*	1/1980	Greene	40/377
4,960,067	A	*	10/1990	Currie	116/28 R
4,962,860	A	*	10/1990	Lehmann	211/88.01
D317,630	S	*	6/1991	Allen et al.	D20/42
D322,287	S	*	12/1991	Sukman	D20/43
D362,022	S	*	9/1995	Larson	D19/89
D365,952	S	*	1/1996	Gagnon et al.	D6/515
D372,499	S	*	8/1996	Carlson et al.	D19/65
D380,235	S	*	6/1997	Gruneisen, III	D20/43

D383,925	S	*	9/1997	Ahlberg	D6/491
6,644,606	B1	*	11/2003	Seidel	248/220.41
D515,143	S	*	2/2006	Tigchelaar	D20/99

* cited by examiner

Primary Examiner—Robert M. Spear

(74) *Attorney, Agent, or Firm*—Dobrusin & Thennisch PC

(57) **CLAIM**

The ornamental design for an advertising device, as shown and described.

DESCRIPTION

FIG. 1 is a perspective view of one embodiment of the present invention.

FIG. 2 is another perspective view of the embodiment shown in FIG. 1.

FIG. 3 is a front elevational view of the embodiment shown in FIG. 1.

FIG. 4 is a back elevational view of the embodiment shown in FIG. 1.

FIG. 5 is a side elevational view of the embodiment shown in FIG. 1.

FIG. 6 is a top elevational view of the embodiment shown in FIG. 1.

FIG. 7 is a bottom elevational view of the embodiment shown in FIG. 1.

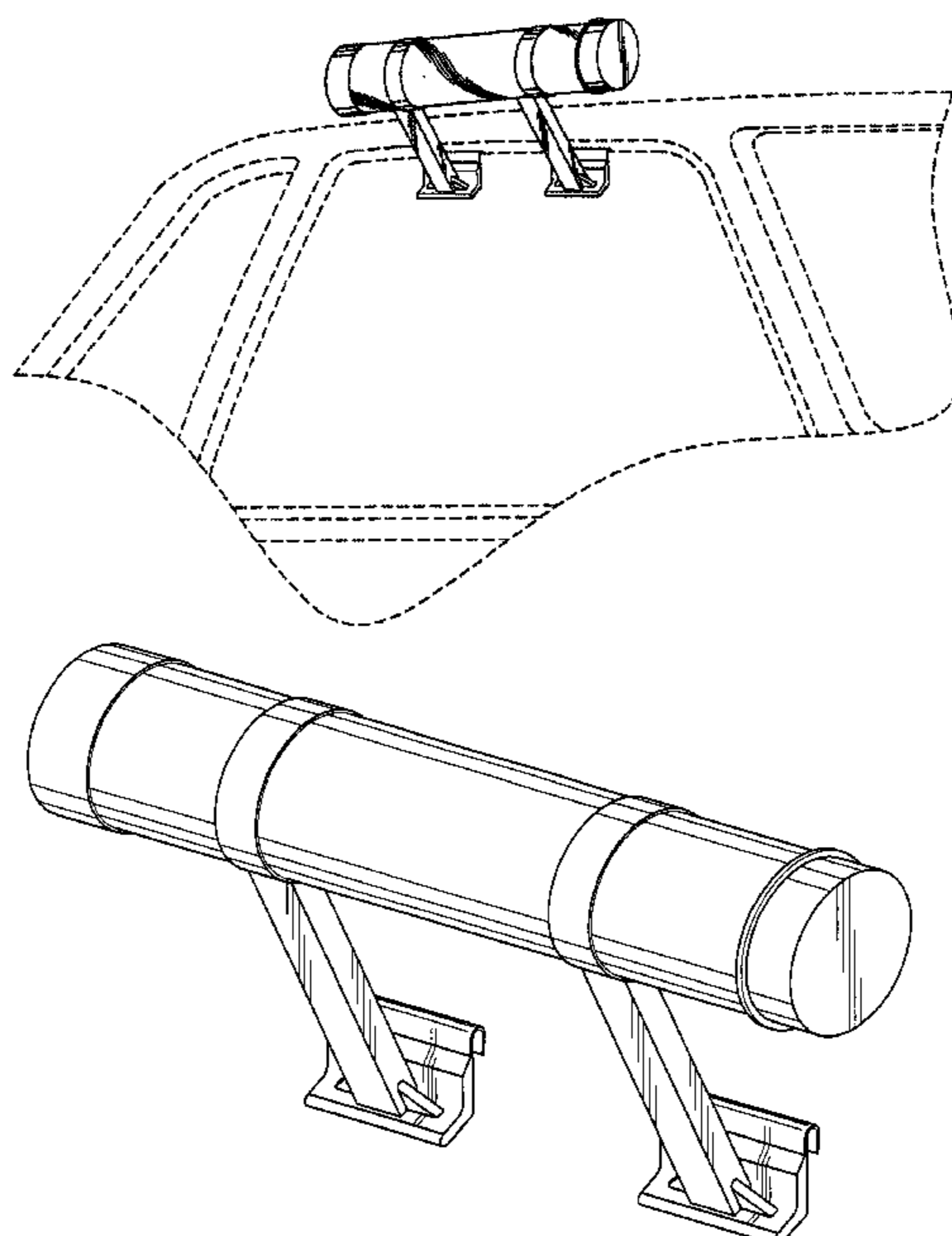
FIG. 8 is a perspective view of an alternate embodiment of the present invention.

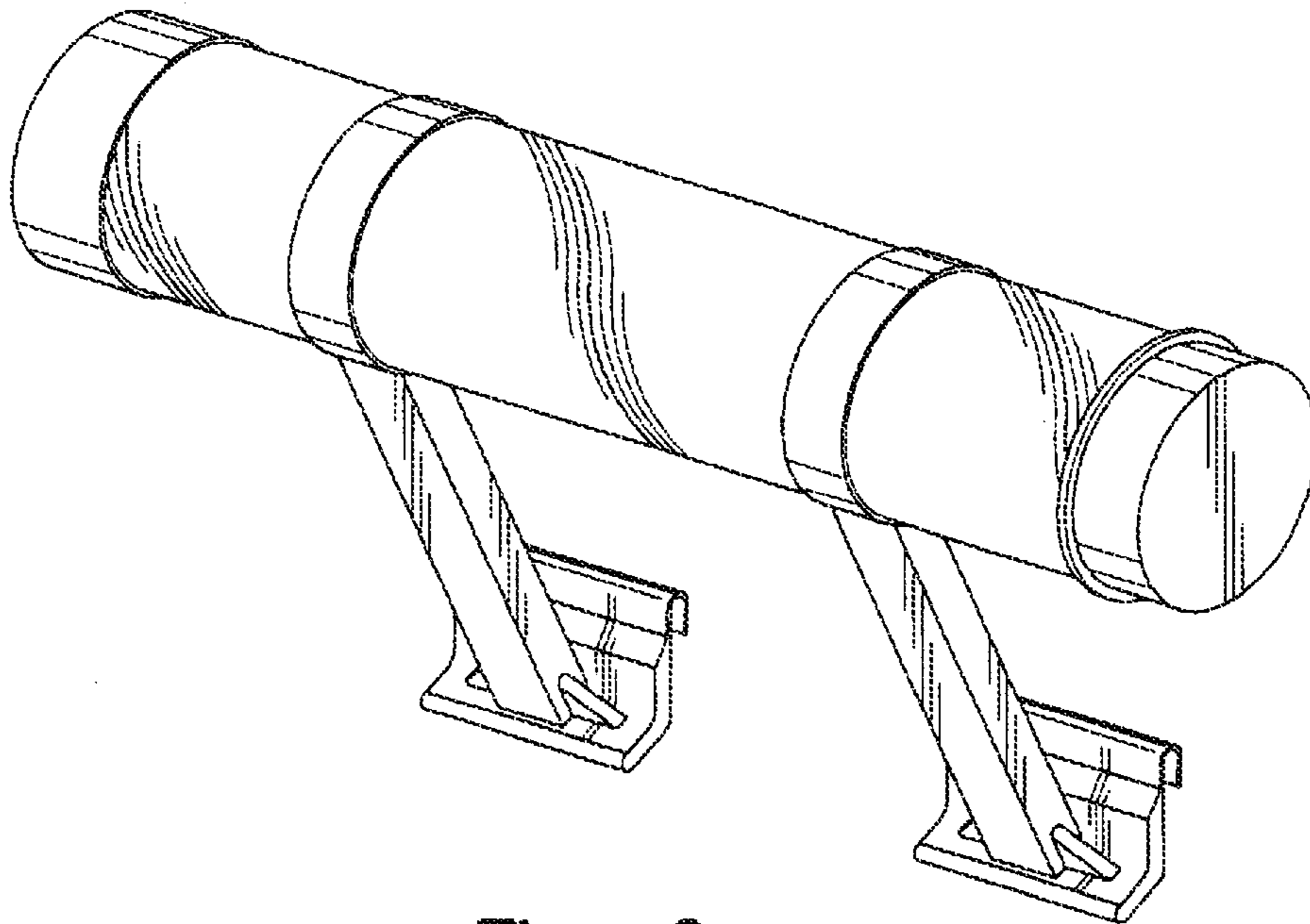
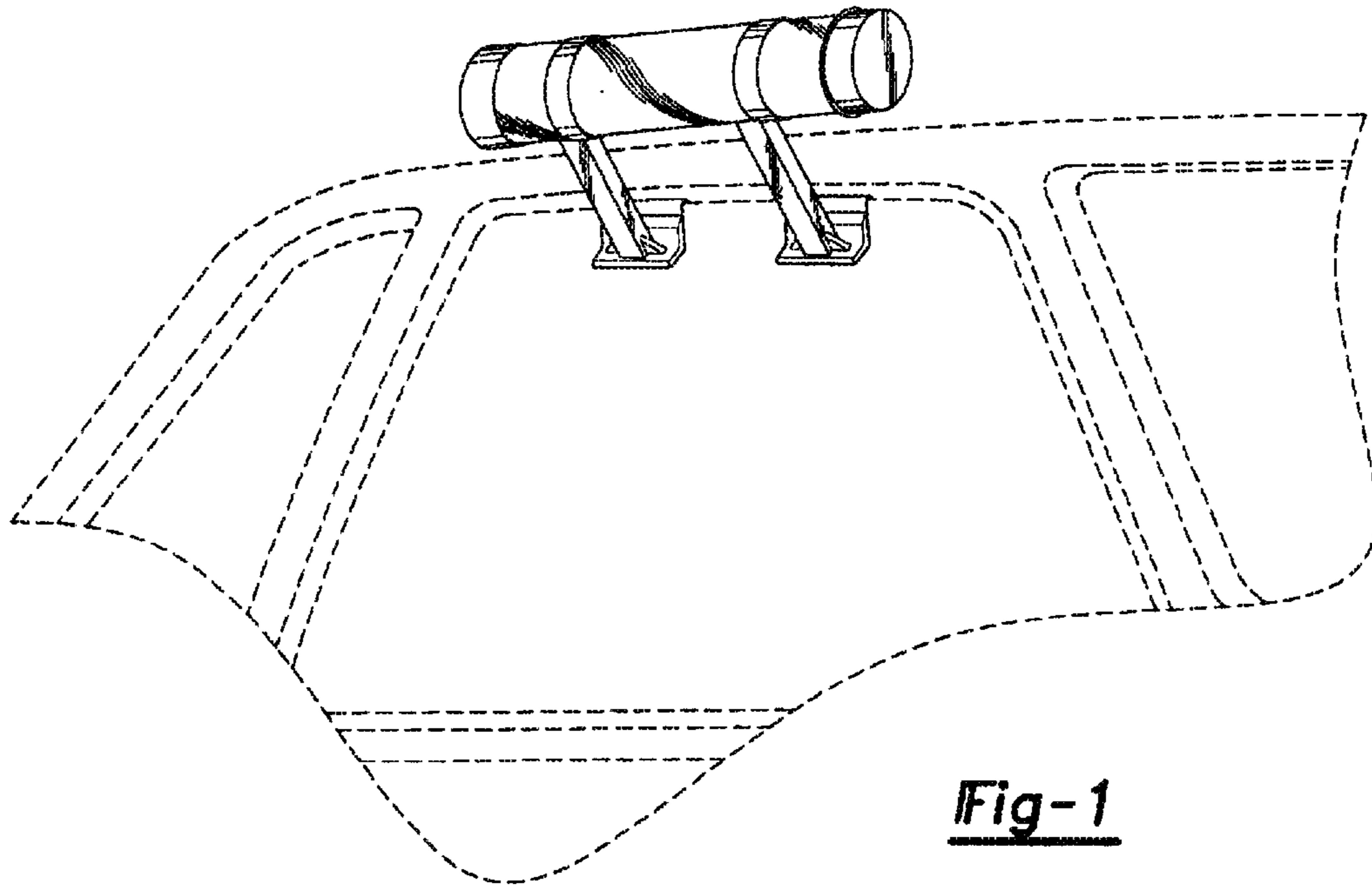
FIG. 9 is a perspective view of another alternate embodiment of the present invention; and,

FIG. 10 is a perspective view of yet another alternate embodiment of the present invention.

The broken lines showing environment in the drawings are for illustrative purposes only and form no part of the claimed design.

1 Claim, 4 Drawing Sheets





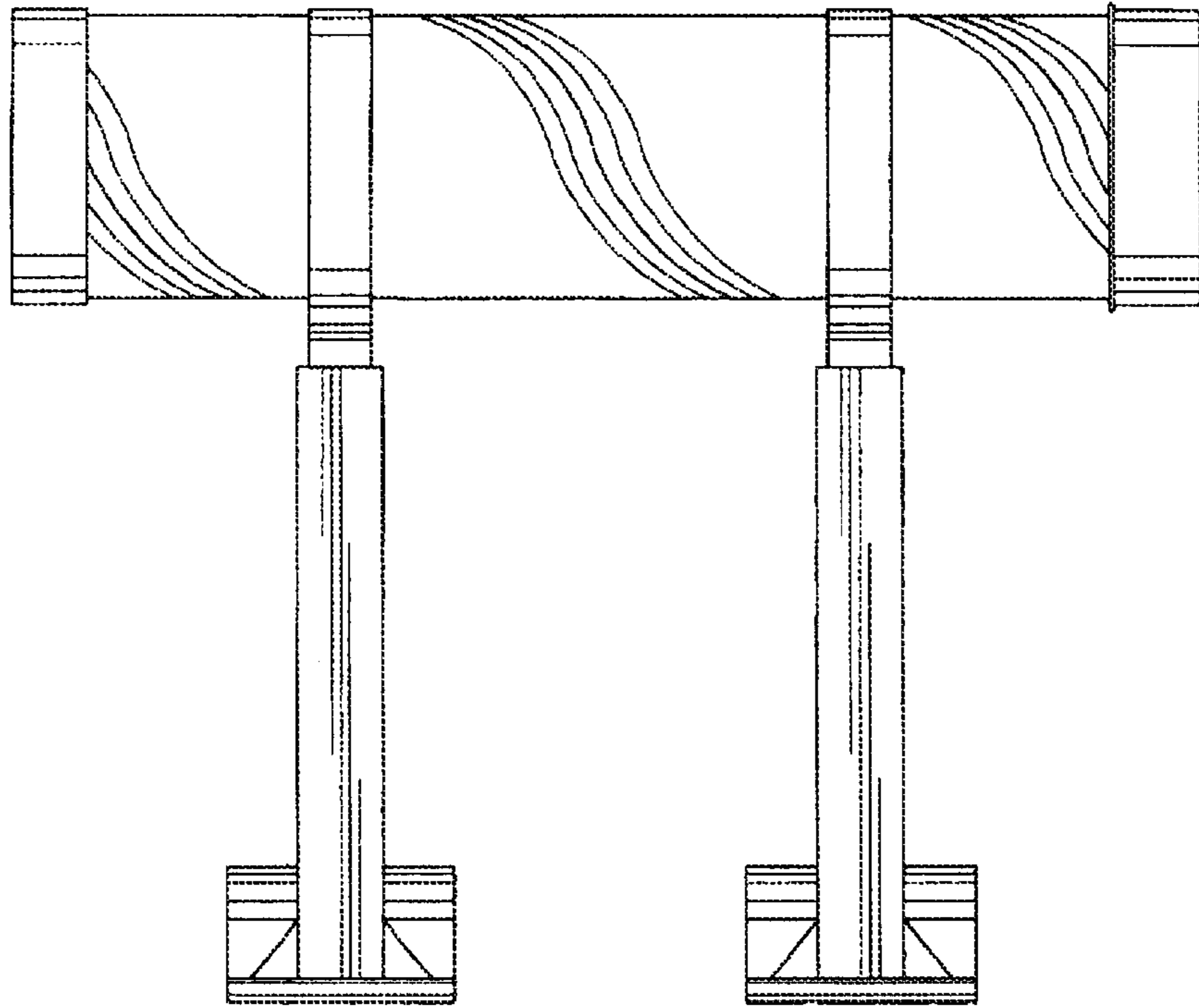


Fig- 3

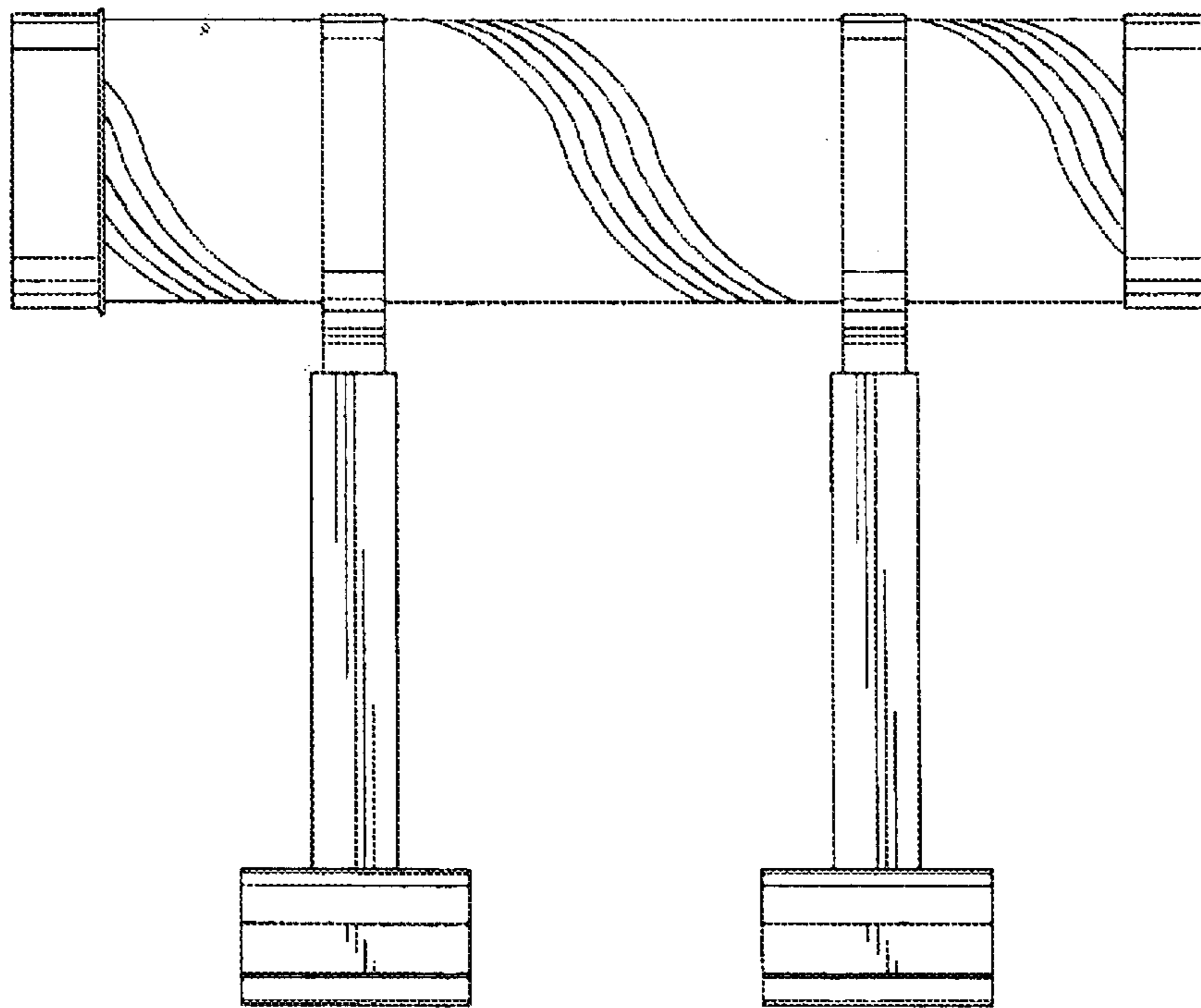


Fig- 4

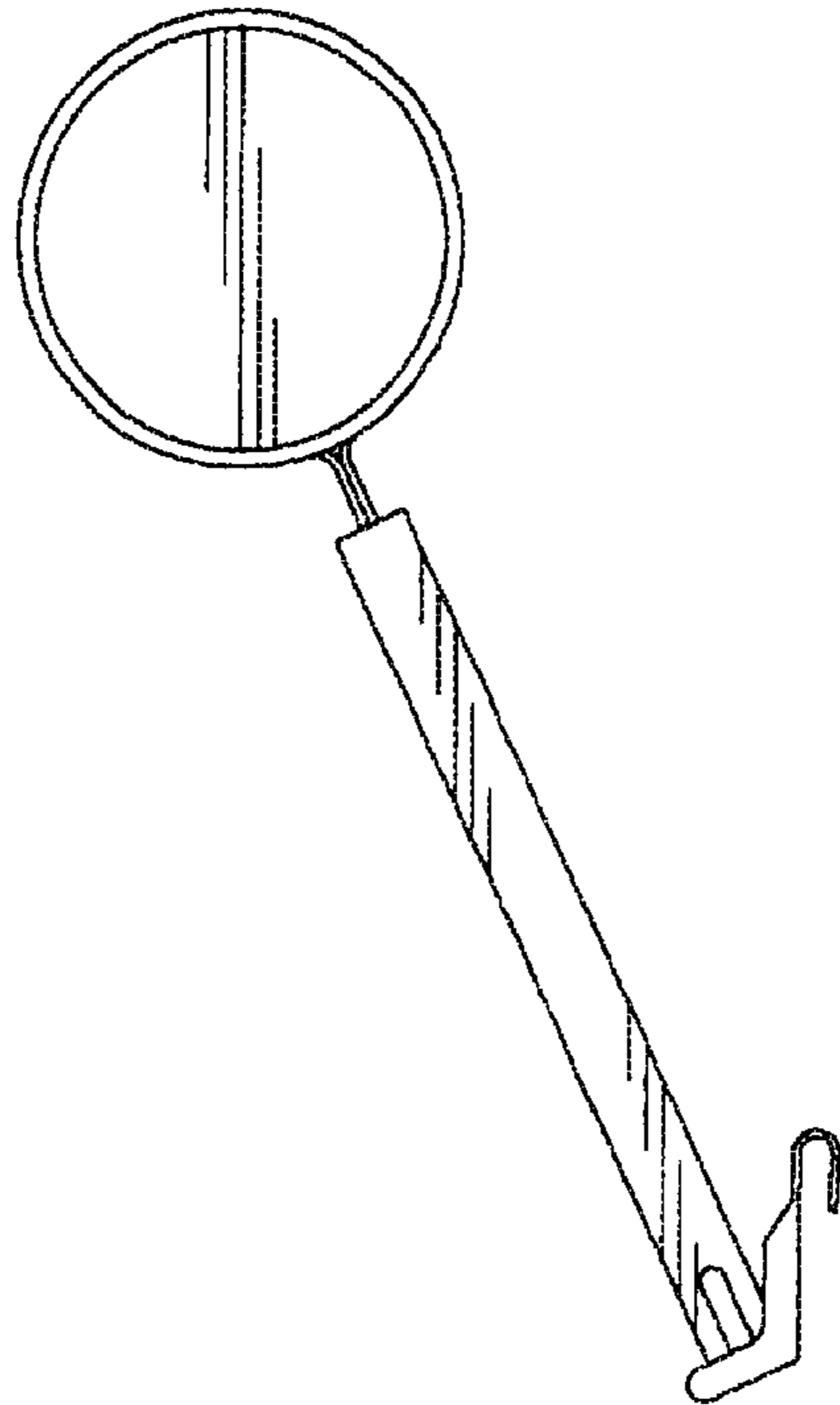


Fig-5

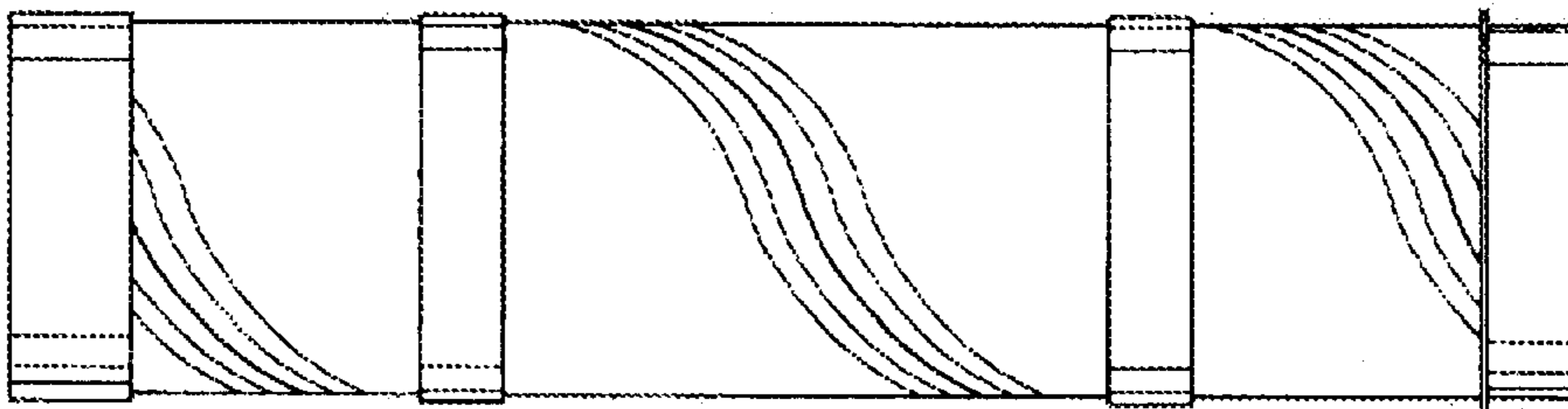


Fig-6

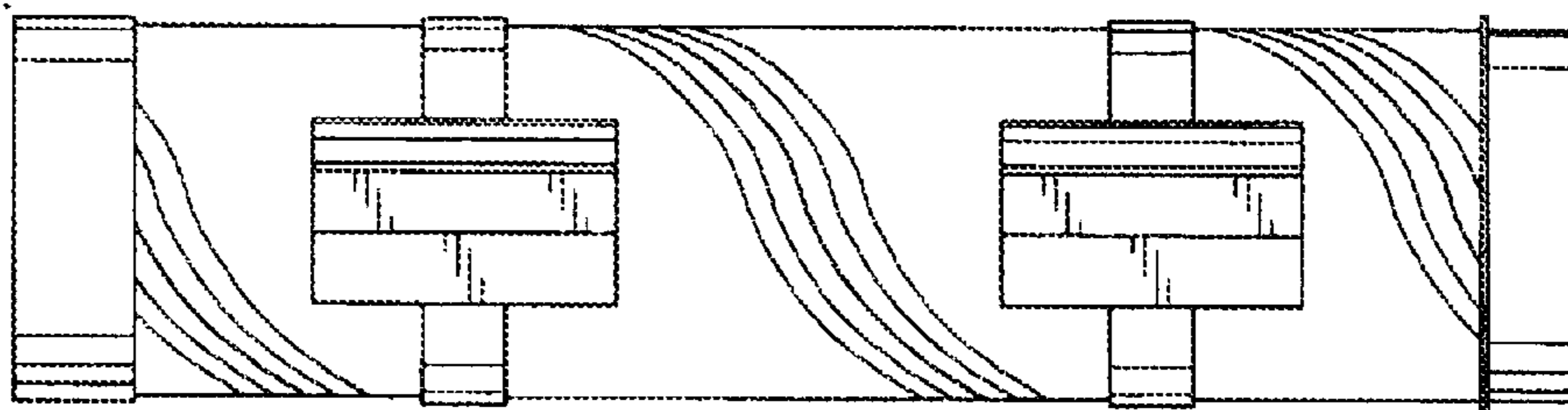


Fig-7

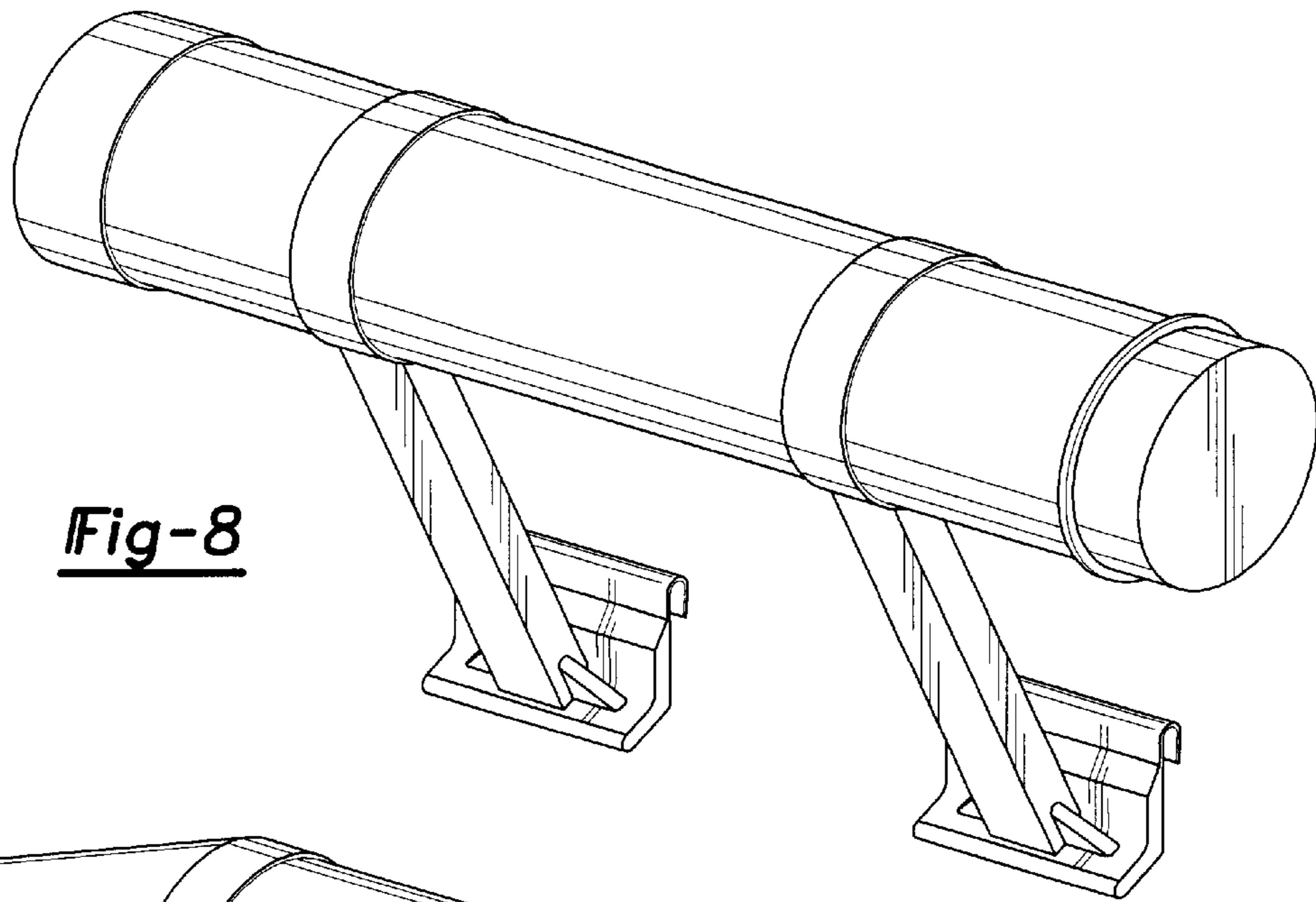


Fig-8

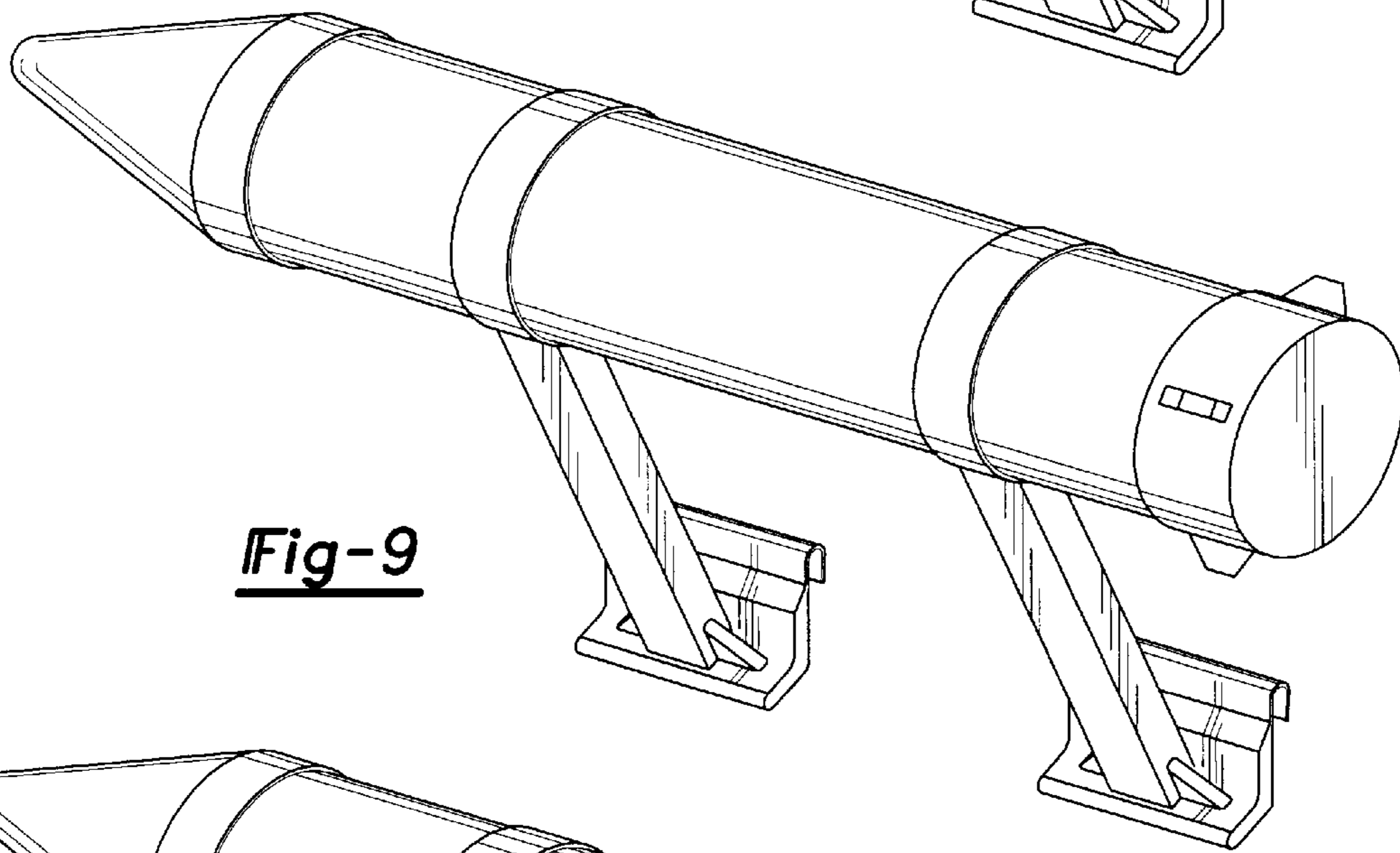


Fig-9

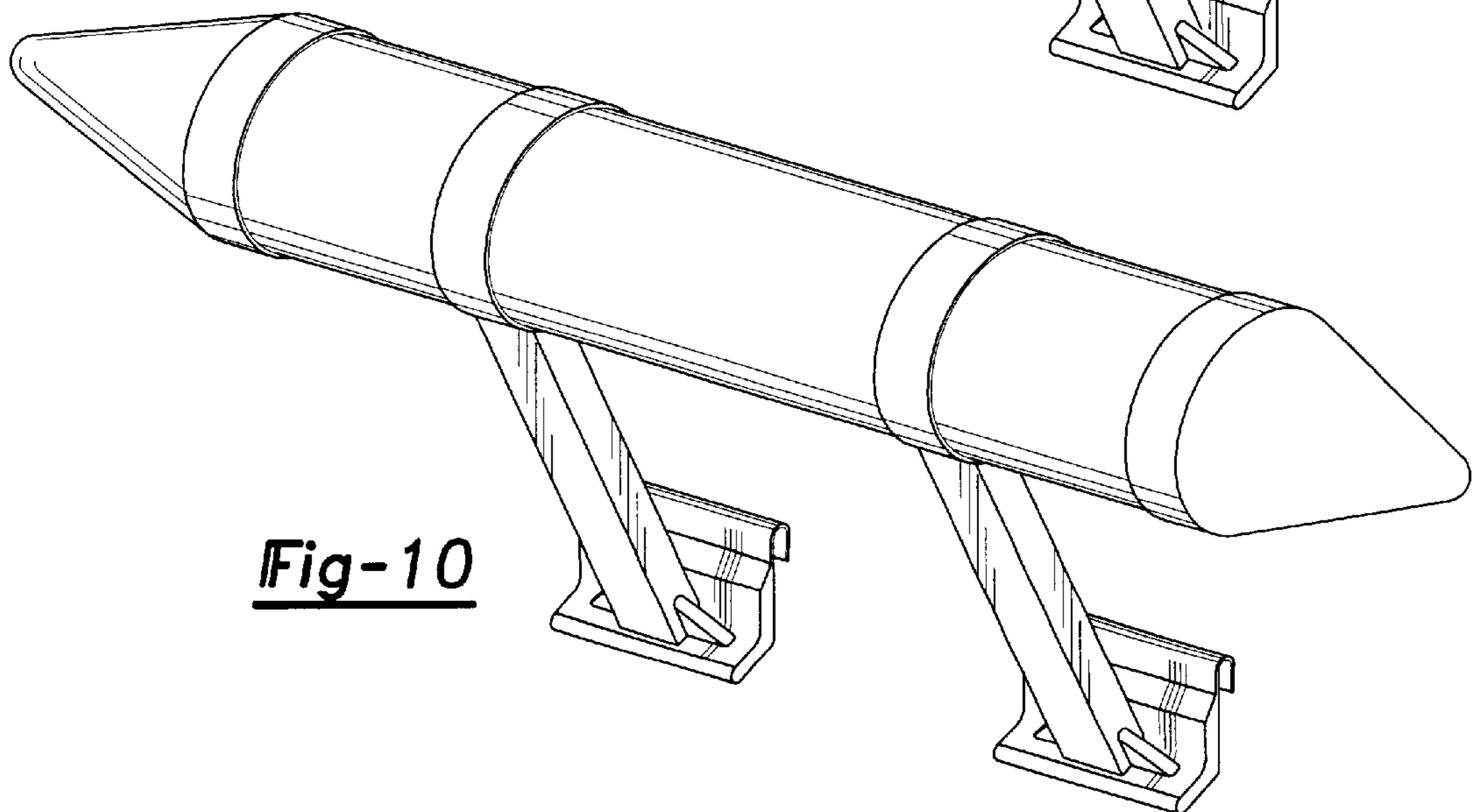


Fig-10

UNITED STATES PATENT AND TRADEMARK OFFICE
CERTIFICATE OF CORRECTION

PATENT NO. : Des. 540,394 S
APPLICATION NO. : 29/252971
DATED : April 10, 2007
INVENTOR(S) : Thomas M. Simasko

Page 1 of 2

It is certified that error appears in the above-identified patent and that said Letters Patent is hereby corrected as shown below:

TITLE PAGE, DESCRIPTION, THE DESCRIPTIONS OF FIGS. 9-10 HAVE BEEN DELETED.

DELETE DRAWING SHEET 4 OF 4, CONSISTING OF FIGS. 8, 9 AND 10, AND REPLACE WITH DRAWING SHEET 4 OF 4, CONSISTING OF FIG. 8.

Signed and Sealed this

Twenty-seventh Day of November, 2007

A handwritten signature in black ink on a light gray dotted background. The signature reads "Jon W. Dudas" in a cursive style.

JON W. DUDAS

Director of the United States Patent and Trademark Office

U.S. Patent

Apr. 10, 2007

Sheet 4 of 4

D540,394 S

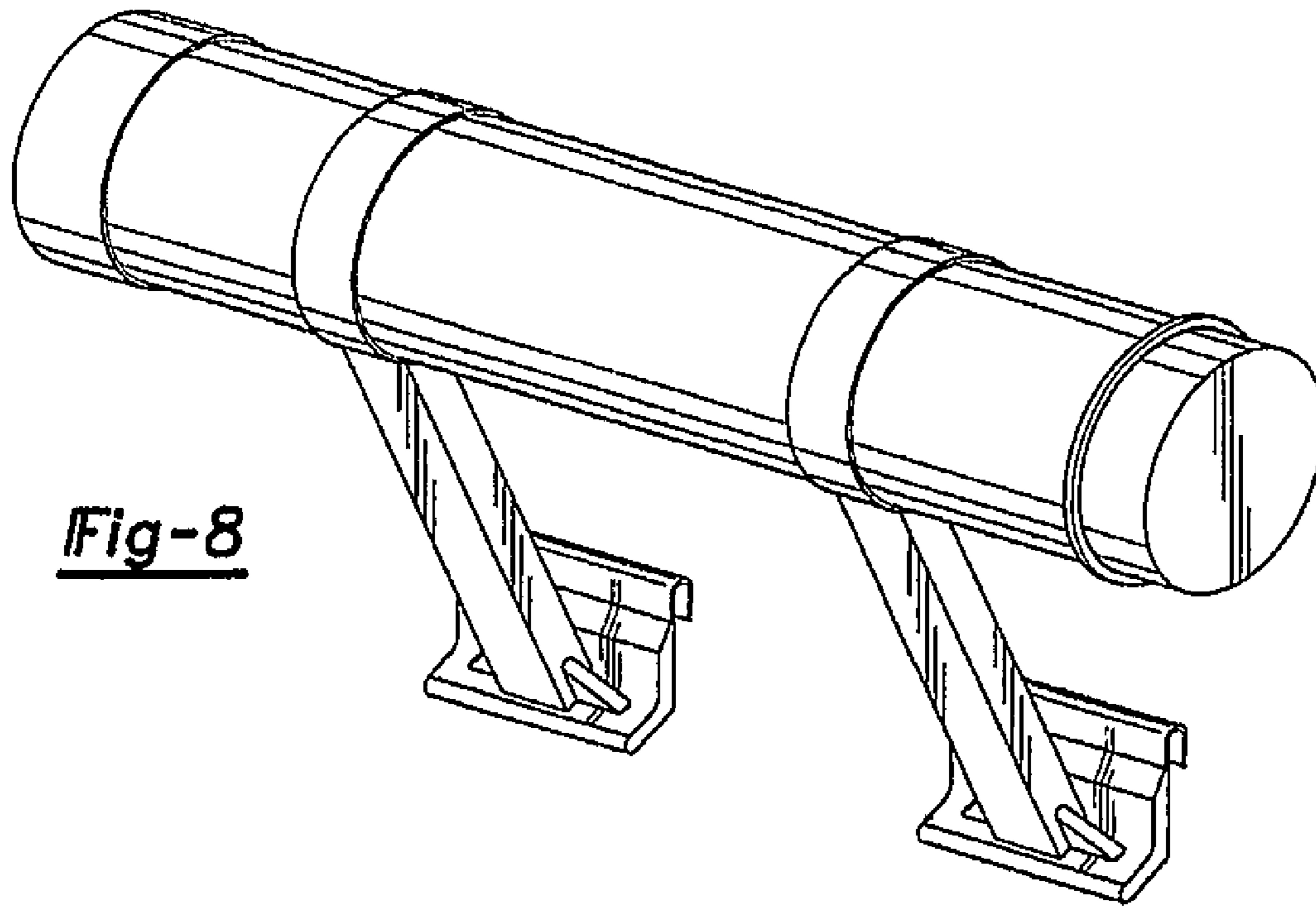


Fig-8