

US00D540391S

(12) **United States Design Patent**
Irie

(10) **Patent No.:** **US D540,391 S**

(45) **Date of Patent:** **** Apr. 10, 2007**

(54) **COIN INSERTING AND RECEIVING APPARATUS**

(75) Inventor: **Yasuo Irie**, Saitama (JP)

(73) Assignee: **Asahi Seiko Co., Ltd.** (JP)

(**) Term: **14 Years**

(21) Appl. No.: **29/240,518**

(22) Filed: **Oct. 13, 2005**

(30) **Foreign Application Priority Data**

May 10, 2005 (JP) 2005-013354

(51) **LOC (8) Cl.** **20-01**

(52) **U.S. Cl.** **D20/9**

(58) **Field of Classification Search** D20/1-9,
D20/99; D99/34-36, 28; 194/350, 212, 205-206,
194/321, 242-244, 344-346; 221/75, 92,
221/96-97, 2, 125-128, 133, 155, 195-196,
221/281, 284; 222/478, 526; 312/114, 117,
312/124-125; 453/3; D13/162-163, 199
See application file for complete search history.

(56) **References Cited**

U.S. PATENT DOCUMENTS

D317,019 S * 5/1991 Yukimoto et al. D20/9

D335,149 S * 4/1993 Dabrowski D20/1
D359,765 S * 6/1995 Izawa D20/9
D386,882 S * 11/1997 Smith et al. D99/28
D400,929 S * 11/1998 Tanaka D20/9
D432,286 S * 10/2000 Irie D99/34
D441,797 S * 5/2001 Irie D20/9

* cited by examiner

Primary Examiner—Stacia Cadmus

(74) *Attorney, Agent, or Firm*—McGlew & Tuttle, PC

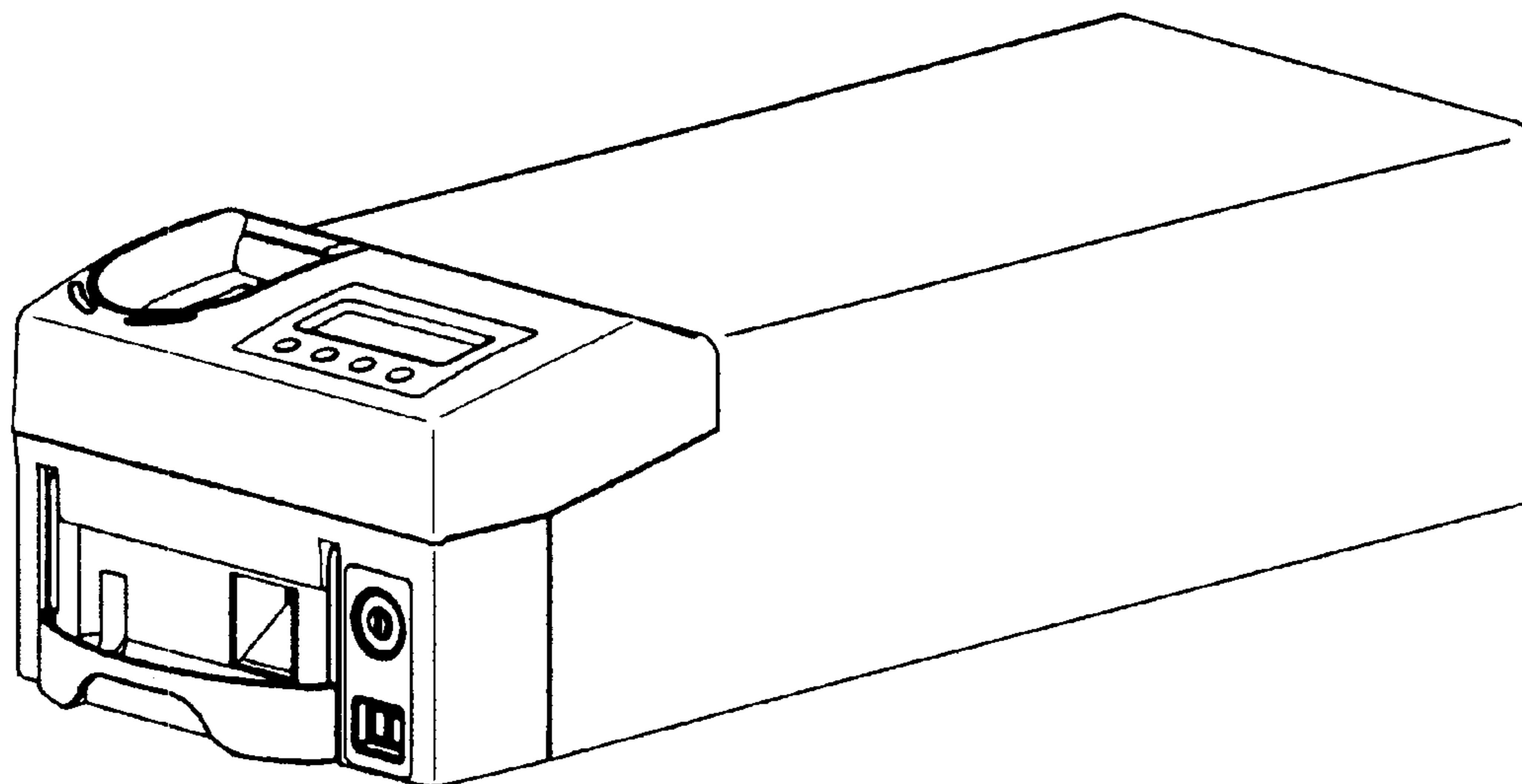
(57) **CLAIM**

The ornamental design for a coin inserting and receiving apparatus, as shown and described.

DESCRIPTION

FIG. 1 is front perspective view showing my new design;
FIG. 2 is front view thereof;
FIG. 3 is rear view thereof;
FIG. 4 is right side view thereof;
FIG. 5 is left side view thereof;
FIG. 6 is top view thereof; and,
FIG. 7 is a bottom view thereof.

1 Claim, 7 Drawing Sheets



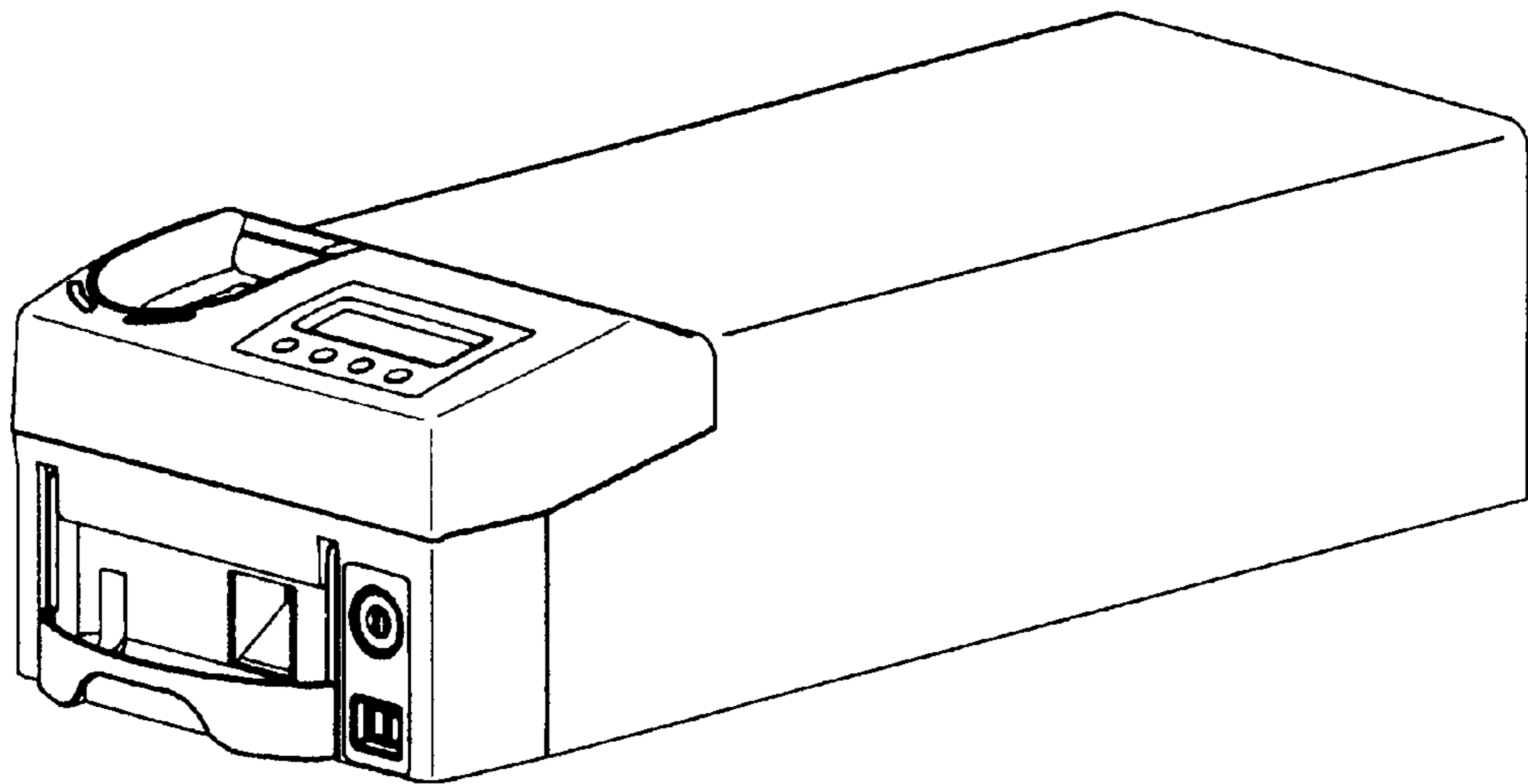


Fig. 1

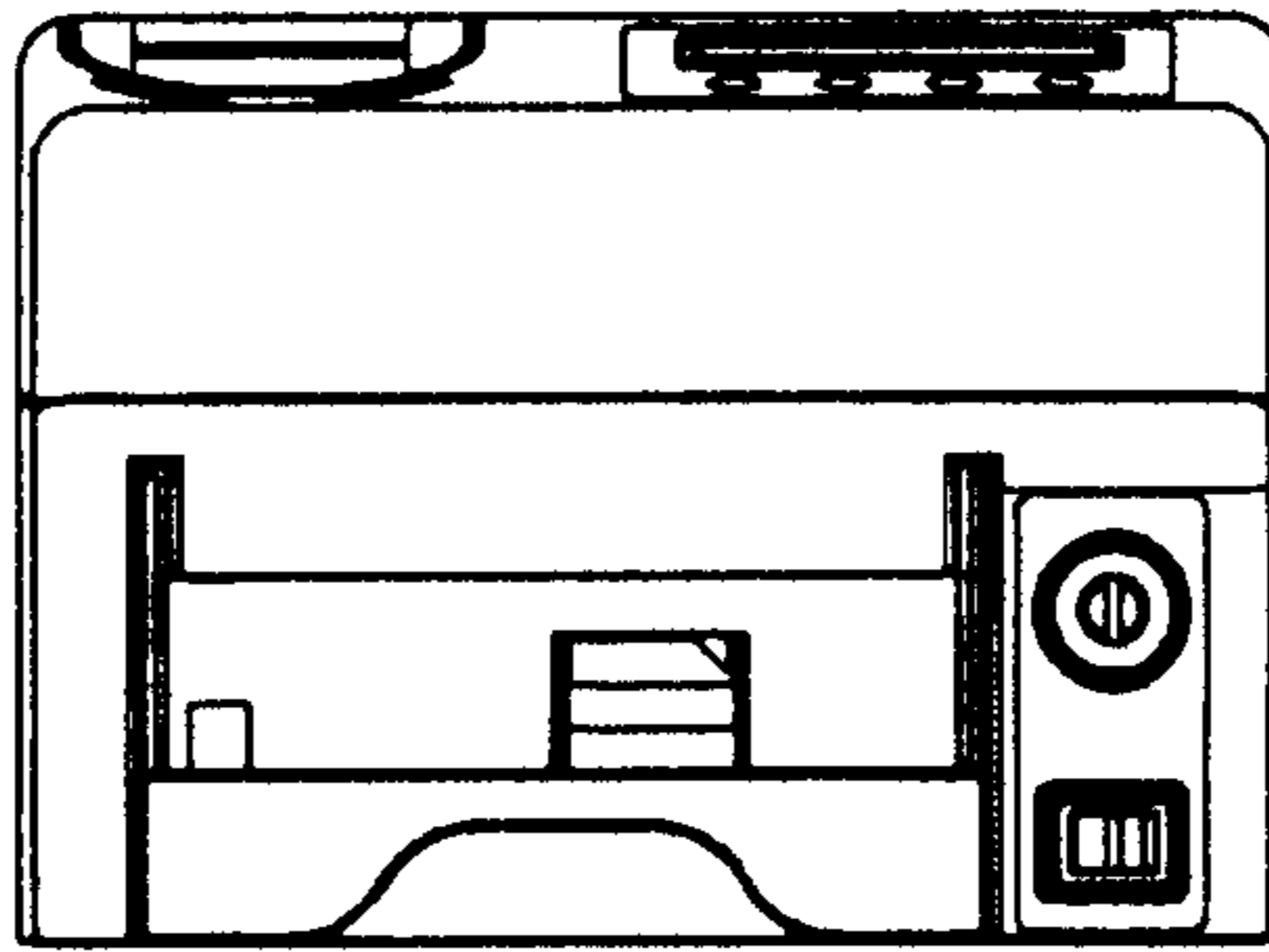


Fig. 2

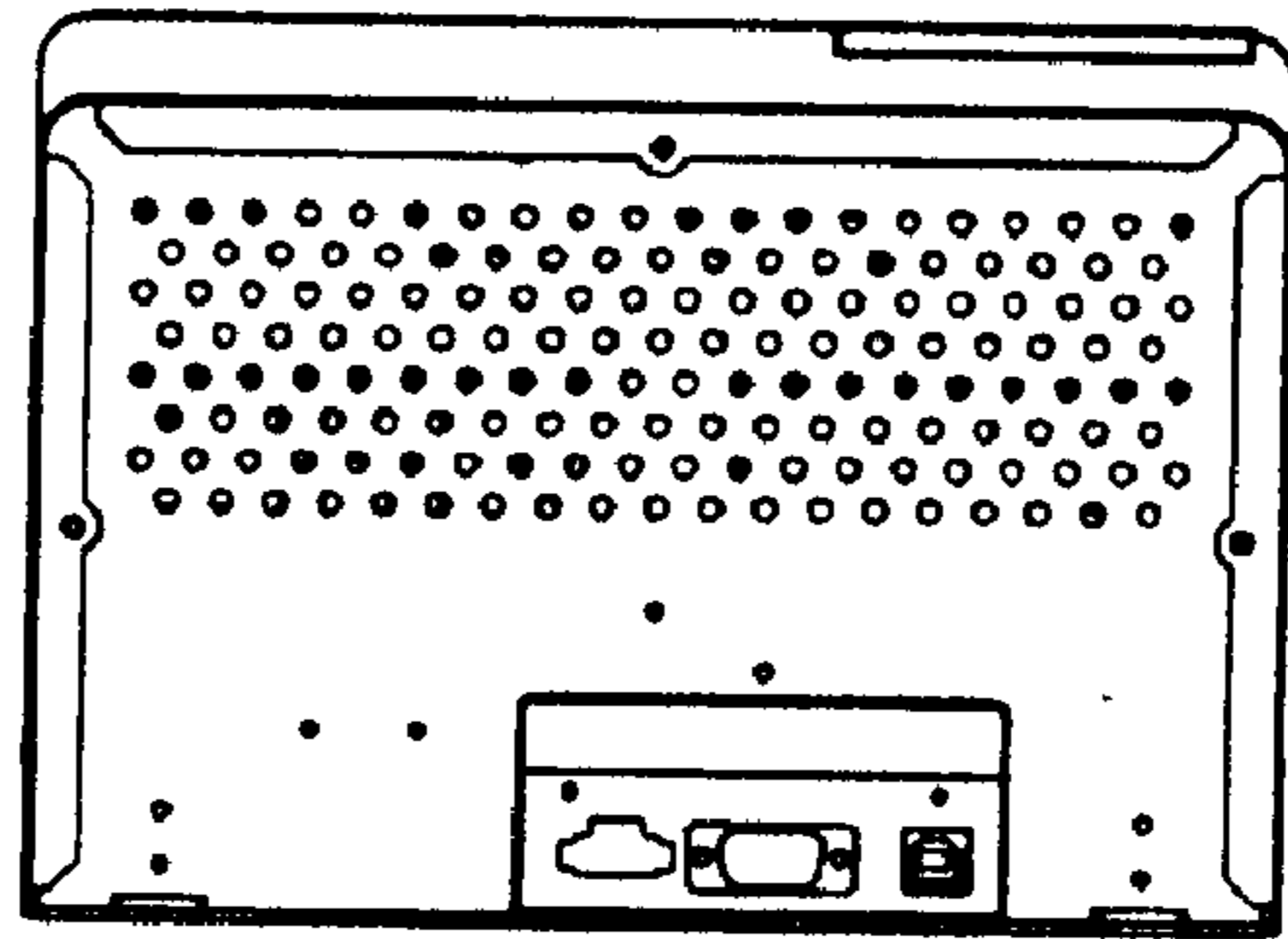


Fig. 3

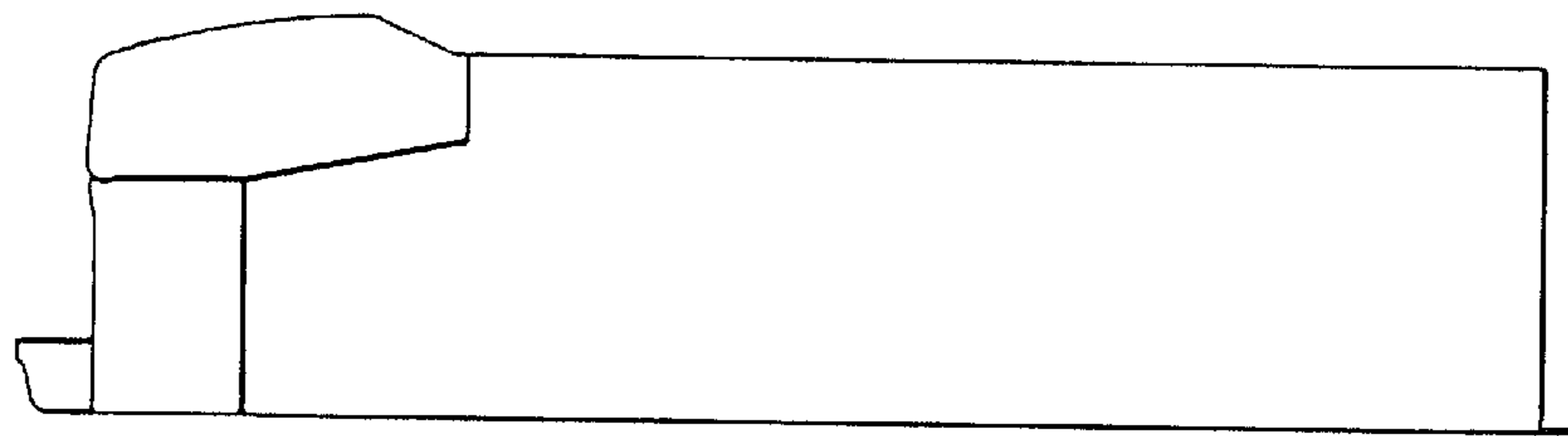


Fig. 4

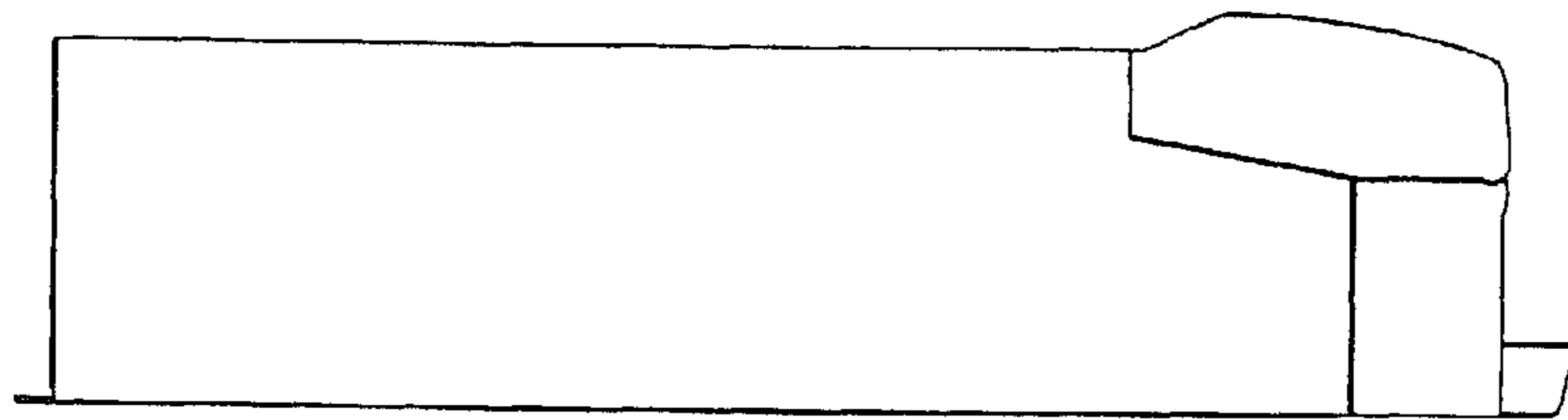


Fig. 5

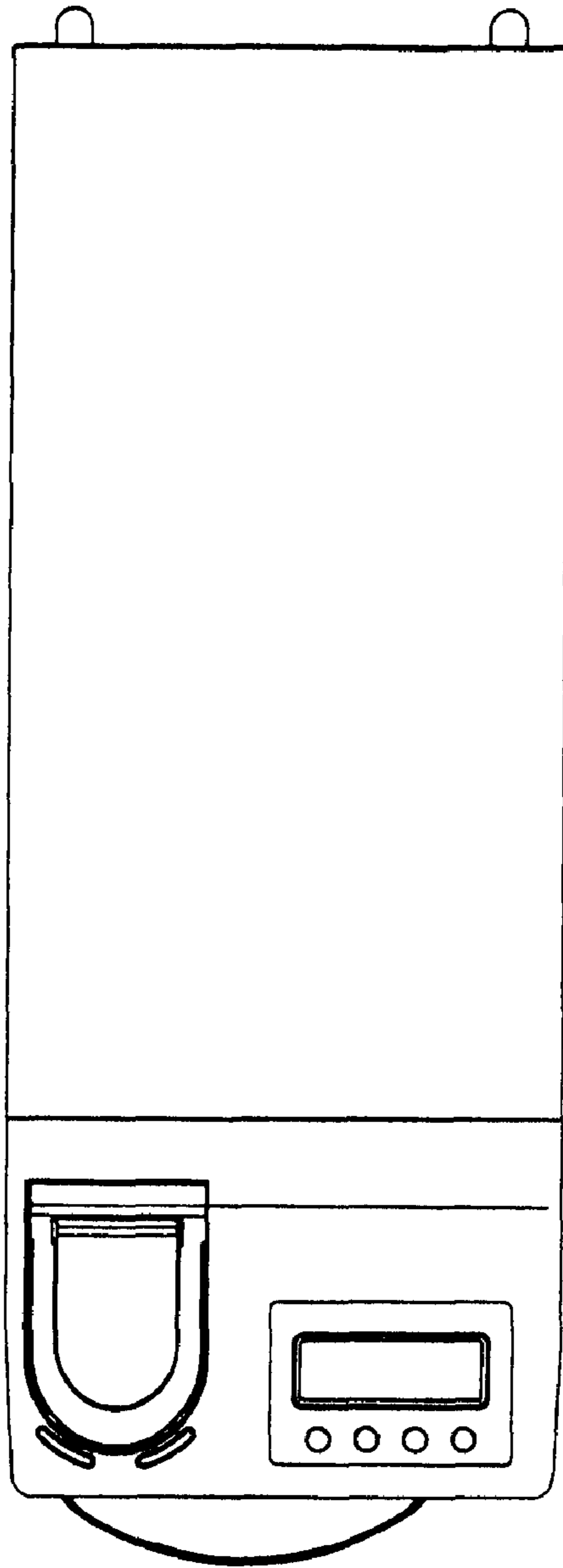


Fig. 6

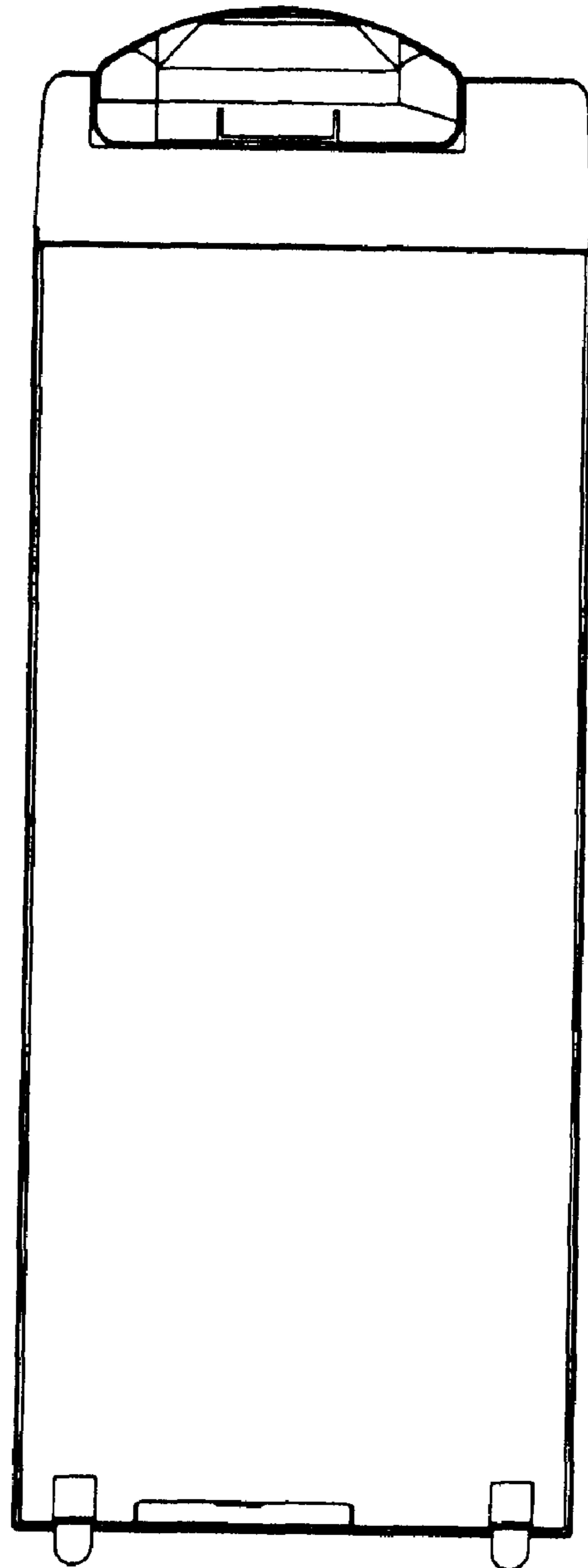


Fig. 7