

US00D540388S

(12) **United States Design Patent**
Weinstein

(10) **Patent No.:** **US D540,388 S**

(45) **Date of Patent:** **** Apr. 10, 2007**

(54) **TAPE DISPENSER**

(76) **Inventor:** **Marc Chase Weinstein**, 740 Bryant Ave., Roslyn Harbor, NY (US) 11576

(**) **Term:** **14 Years**

(21) **Appl. No.:** **29/239,289**

(22) **Filed:** **Sep. 28, 2005**

(51) **LOC (8) Cl.** **19-02**

(52) **U.S. Cl.** **D19/69**

(58) **Field of Classification Search** D19/70,
D19/69, 68; 242/588.6, 588.3, 588.2; 225/77,
225/6, 56, 39, 26, 25, 19, 11; 206/411; 156/577,
156/527, 523

See application file for complete search history.

(56) **References Cited**

U.S. PATENT DOCUMENTS

D135,165	S	*	3/1943	Michael	D19/69
2,400,776	A	*	5/1946	Nordeen et al.	225/74
D169,989	S	*	7/1953	Reincke	D19/69
D179,196	S	*	11/1956	Gershon	D19/69
D248,561	S	*	7/1978	Deering, Jr.	D19/69
D274,825	S	*	7/1984	Lissoni	D19/69
D289,180	S	*	4/1987	Crawford et al.	D19/69
D359,511	S	*	6/1995	Nash et al.	D19/69
D404,430	S	*	1/1999	Shen	D19/69
D416,045	S	*	11/1999	Shen	D19/69
D430,213	S	*	8/2000	Huang	D19/69

6,460,800	B1		10/2002	Watanabe	
D486,521	S	*	2/2004	Crawford et al. D19/69
D496,691	S	*	9/2004	Crawford et al. D19/69
D506,224	S		6/2005	Farce	

* cited by examiner

Primary Examiner—Cathron C. Brooks

Assistant Examiner—Austin Murphy

(74) *Attorney, Agent, or Firm*—Lawrence C. Edelman, Esq.

(57) **CLAIM**

The ornamental design for a tape dispenser, as shown and described.

DESCRIPTION

FIG. 1 is a perspective view of a tape dispenser showing our new design;

FIG. 2 is a front elevational view thereof;

FIG. 3 is a rear elevational view thereof;

FIG. 4 is a side elevational view thereof;

FIG. 5 is a top plan view thereof;

FIG. 6 is a bottom plan view thereof; and,

FIG. 7 is a perspective view of the tape dispenser of FIG. 1 showing the tape roll holder separated from the body of the tape dispenser.

The structure depicted by means of broken lines is for illustrative purposes only and forms no part of the claimed design.

1 Claim, 5 Drawing Sheets

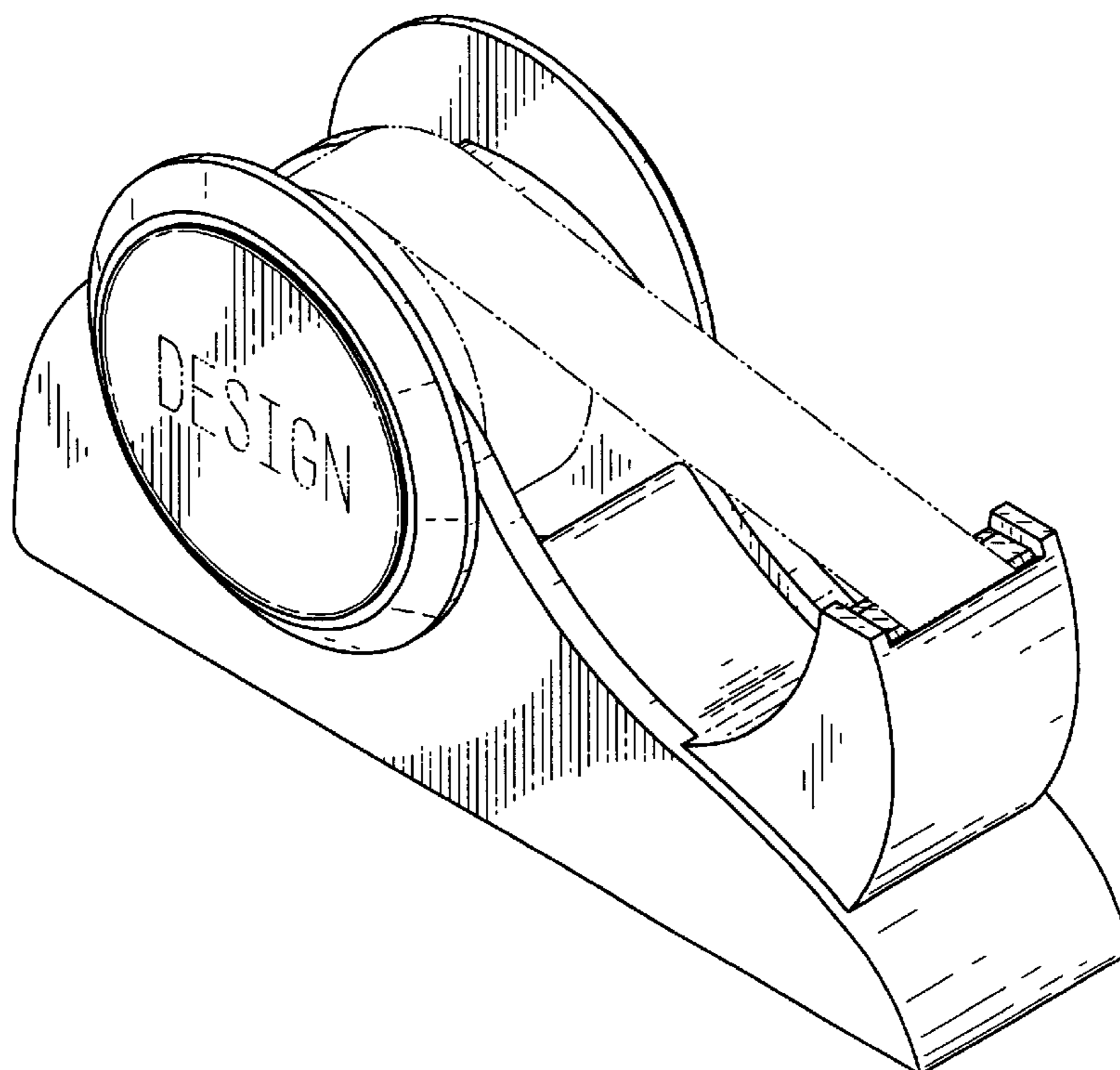


FIG. 1

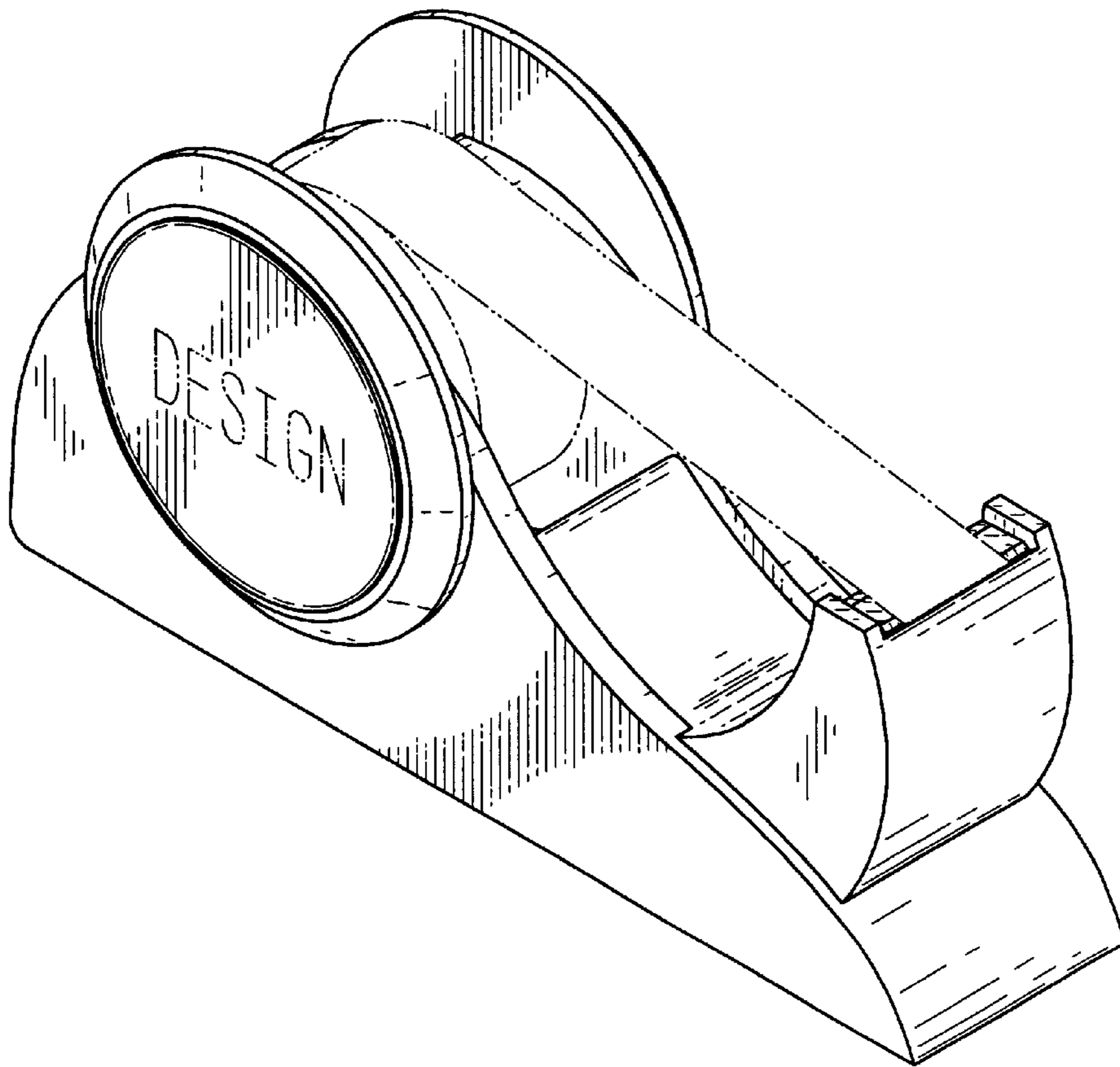


FIG. 2

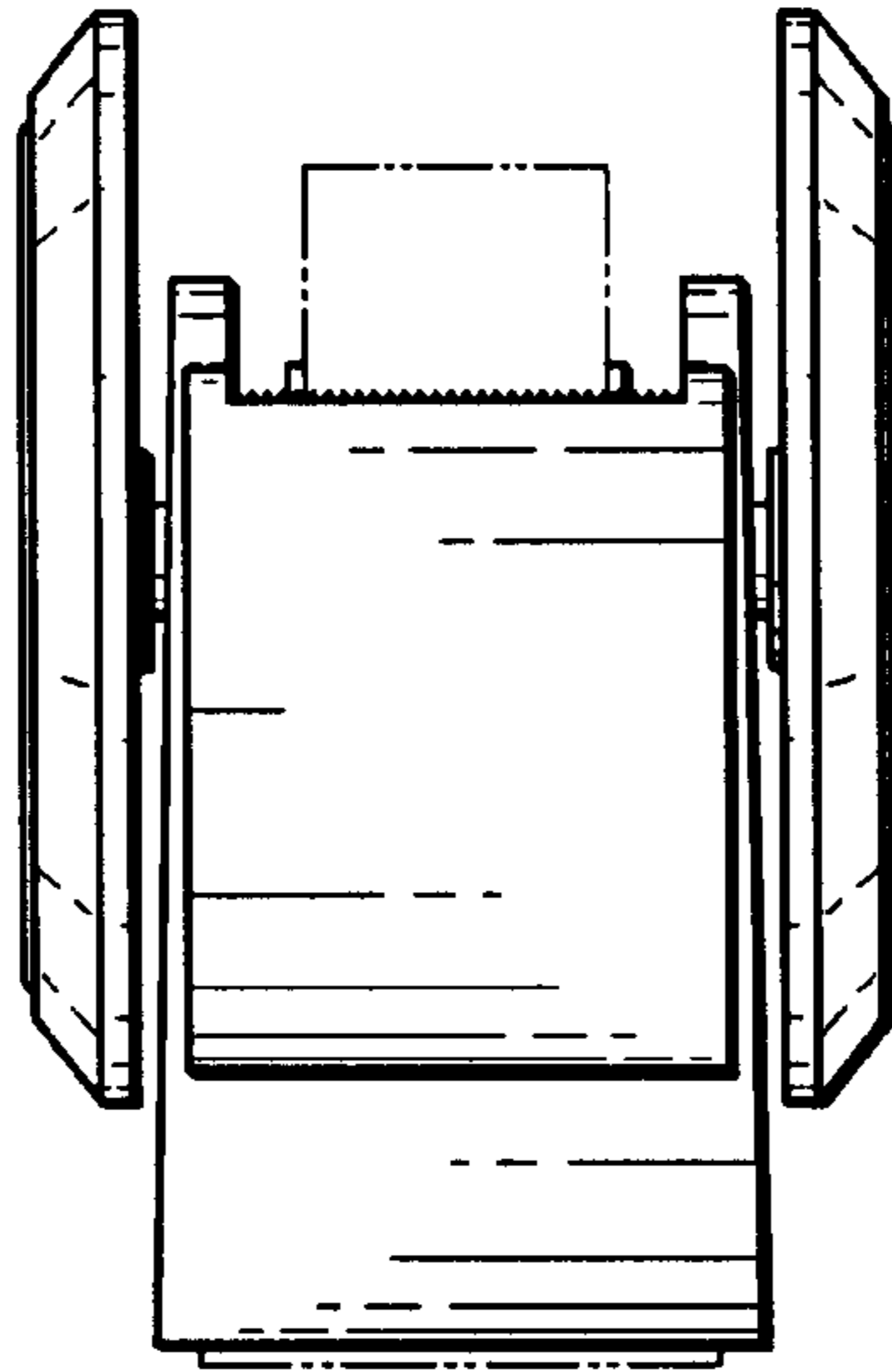


FIG. 3

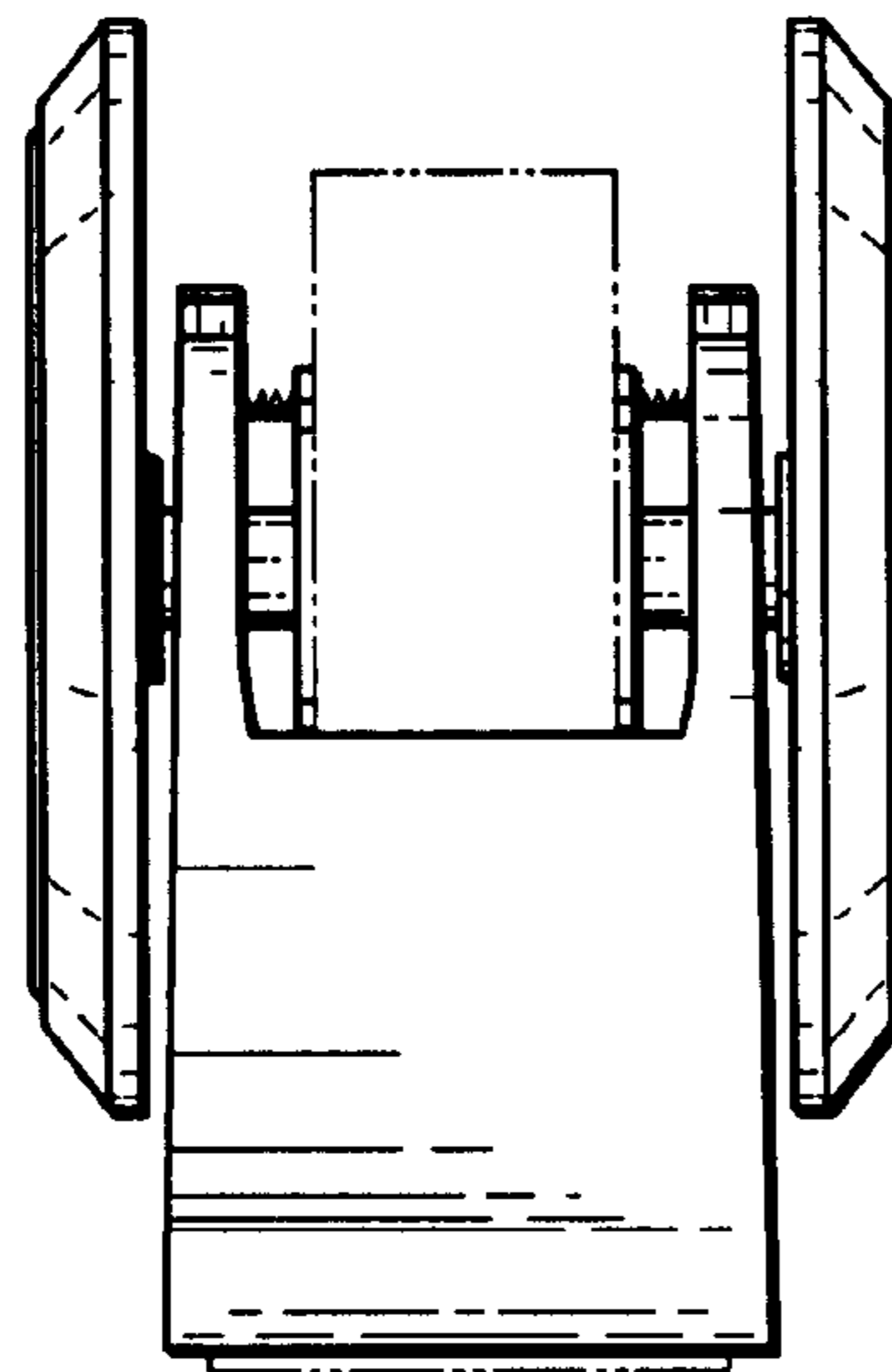


FIG. 4

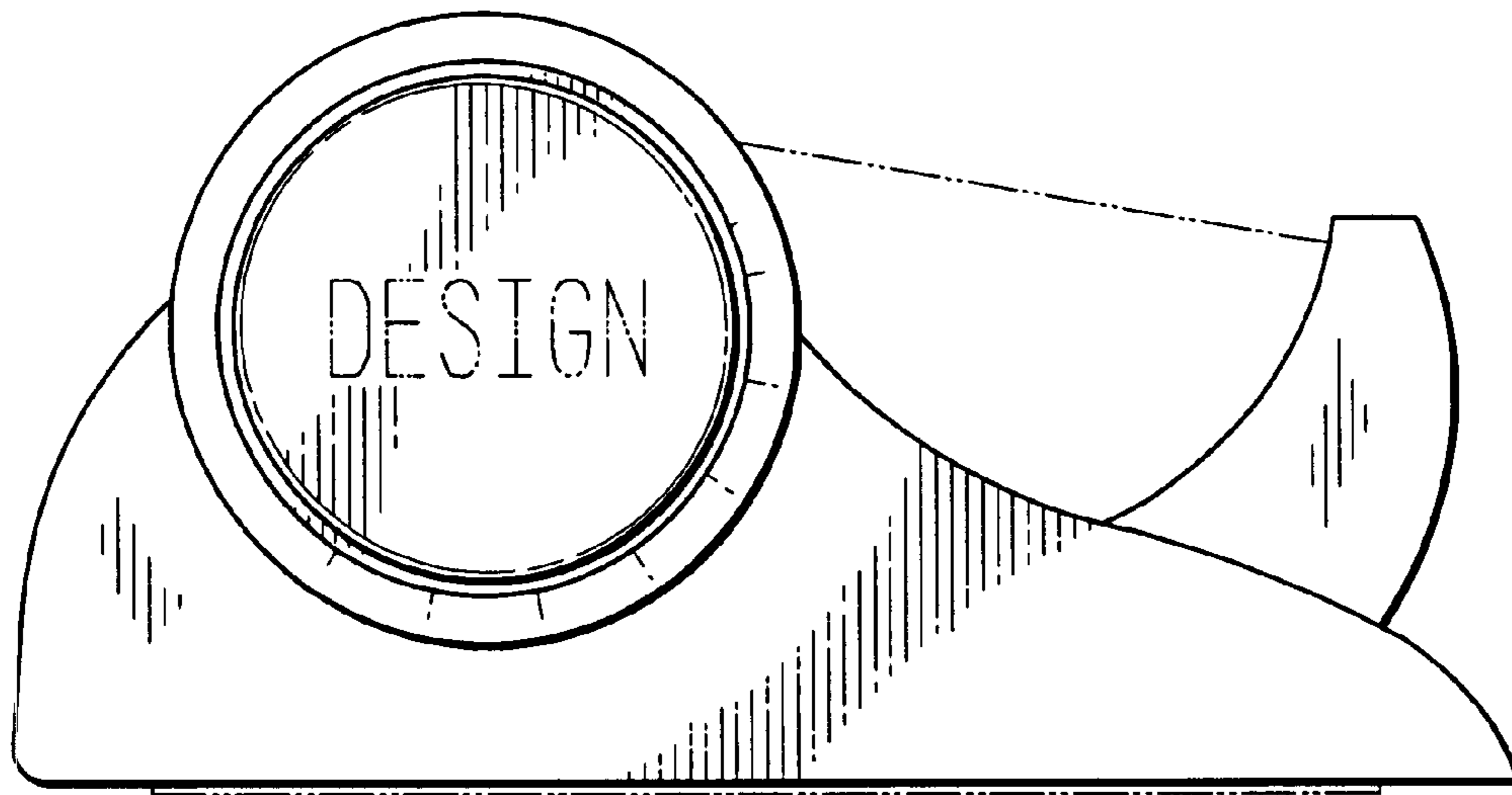


FIG. 5

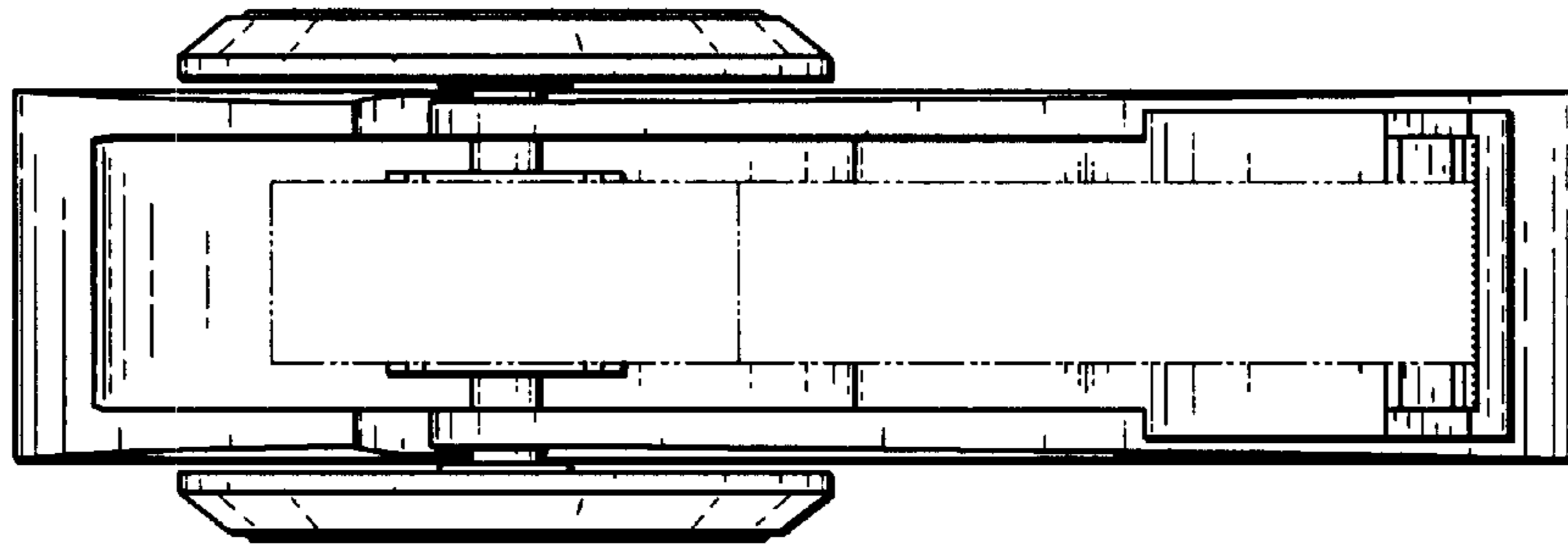


FIG. 6

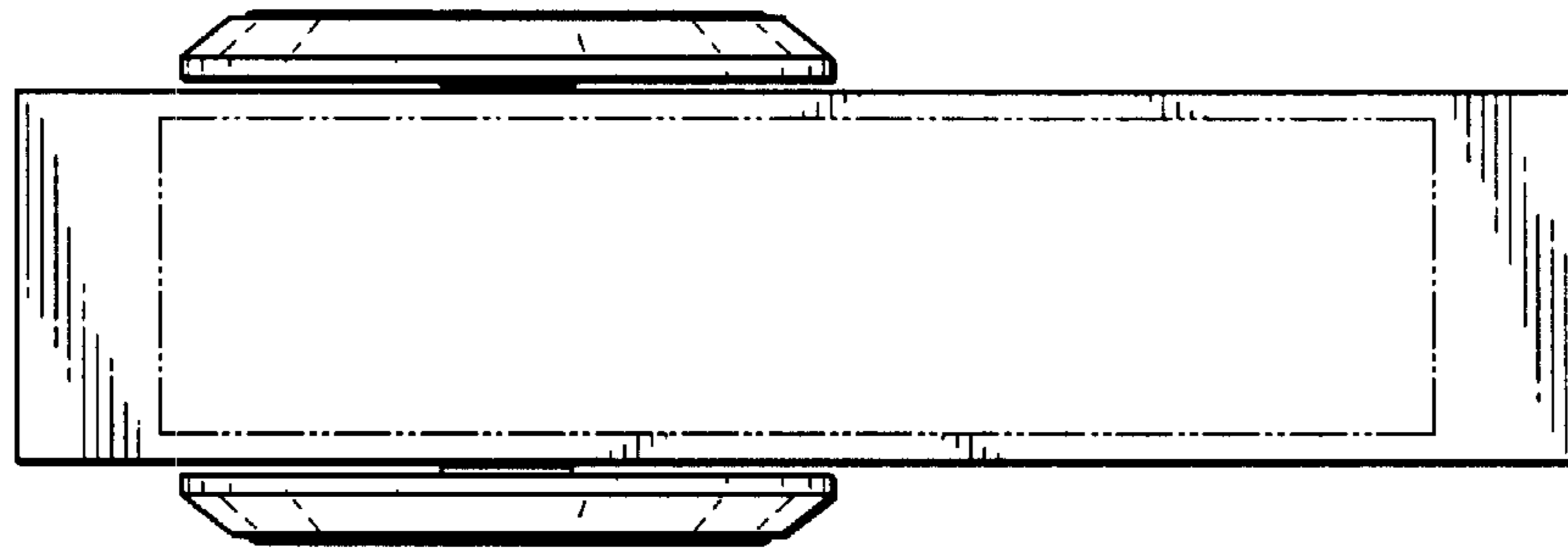


FIG. 7

