

US00D540383S

(12) **United States Design Patent**  
**Nishida**

(10) **Patent No.:** **US D540,383 S**

(45) **Date of Patent:** **\*\* Apr. 10, 2007**

(54) **PEN**  
(75) **Inventor:** **Tsuyoshi Nishida**, Tokyo (JP)  
(73) **Assignee:** **Mitsubishi Pencil Co., Ltd.**, Tokyo (JP)  
(\*\*) **Term:** **14 Years**

D461,501 S \* 8/2002 Nishida ..... D19/43  
D471,588 S \* 3/2003 Hu ..... D19/43  
D472,577 S \* 4/2003 Sakuno et al. .... D19/51  
D484,536 S \* 12/2003 Takanashi ..... D19/43  
D492,963 S \* 7/2004 Qiu ..... D19/43  
D497,643 S 10/2004 Nishida  
D509,536 S \* 9/2005 Nishida ..... D19/43

\* cited by examiner

(21) **Appl. No.:** **29/230,939**  
(22) **Filed:** **May 31, 2005**  
(30) **Foreign Application Priority Data**

*Primary Examiner*—Elizabeth A. Albert  
(74) *Attorney, Agent, or Firm*—Foley & Lardner LLP

Jan. 14, 2005 (CN) ..... 200530002158

(57) **CLAIM**

The ornamental design for a pen, as shown and described.

(51) **LOC (8) Cl.** ..... **19-06**  
(52) **U.S. Cl.** ..... **D19/43**  
(58) **Field of Classification Search** ..... D19/36,  
D19/37, 41–51, 54–57; 24/11 R, 11 F, 11 P;  
401/52, 99, 100, 104, 105, 106, 107, 108,  
401/109, 192, 195, 243–247  
See application file for complete search history.

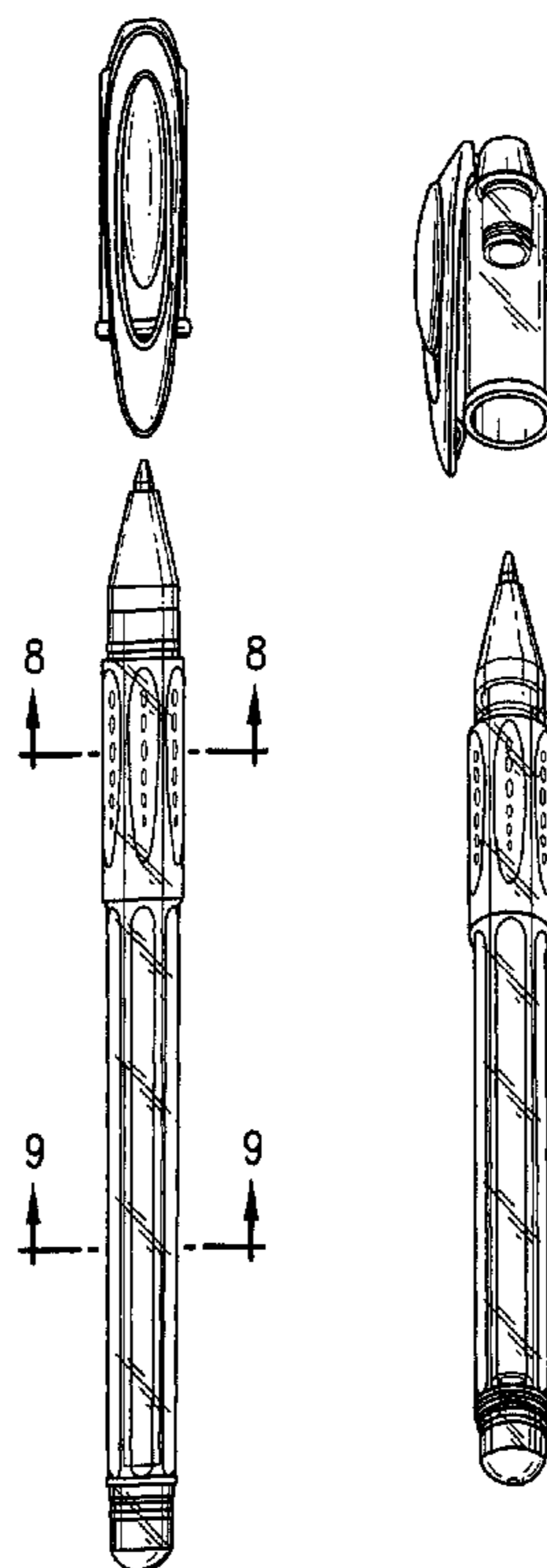
**DESCRIPTION**

FIG. 1 is a perspective view of a pen showing my new design;  
FIG. 2 is a front elevational view thereof;  
FIG. 3 is a rear elevational view thereof;  
FIG. 4 is a left side elevational view thereof; the right side elevational view is a mirror image of the left side;  
FIG. 5 is a top plan view thereof;  
FIG. 6 is a bottom plan view thereof;  
FIG. 7 is an exploded front view thereof;  
FIG. 8 is an enlarged cross-sectional view taken in the direction 8—8 in FIG. 7;  
FIG. 9 is an enlarged cross-sectional view taken in the direction 9—9 in FIG. 7; and,  
FIG. 10 is an exploded perspective view thereof.

(56) **References Cited**  
U.S. PATENT DOCUMENTS

D220,070 S \* 3/1971 Iwasaki ..... D19/46  
D279,993 S \* 8/1985 Oka ..... D19/45  
D363,308 S \* 10/1995 Sekine ..... D19/48  
D385,916 S \* 11/1997 Katami ..... D19/48  
D421,625 S \* 3/2000 Oka ..... D19/49  
D452,526 S \* 12/2001 Nishida ..... D19/43

**1 Claim, 2 Drawing Sheets**



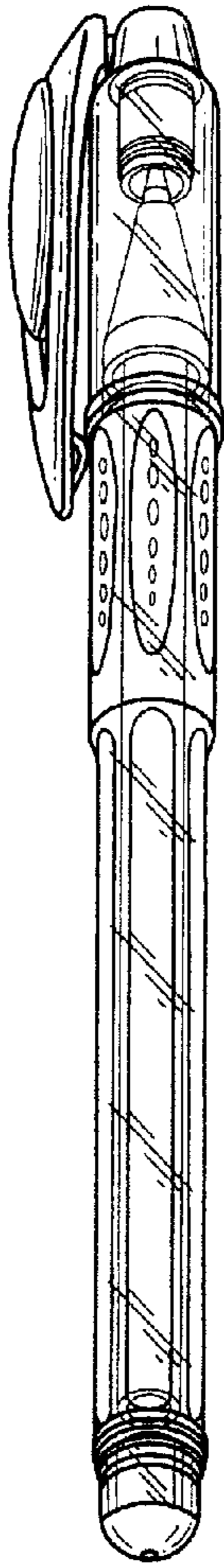


FIG. 1

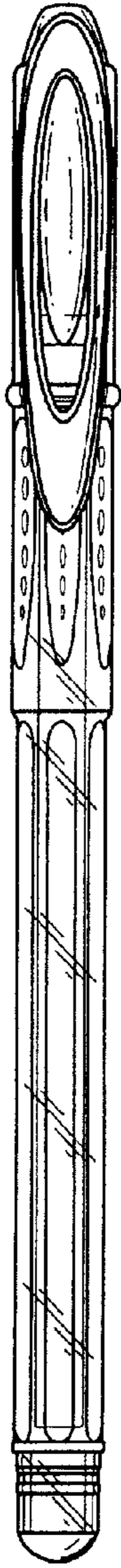


FIG. 2

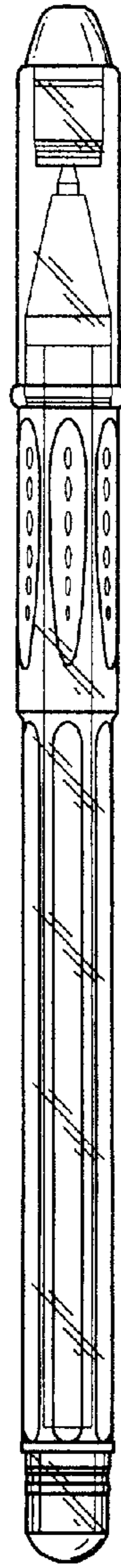


FIG. 3

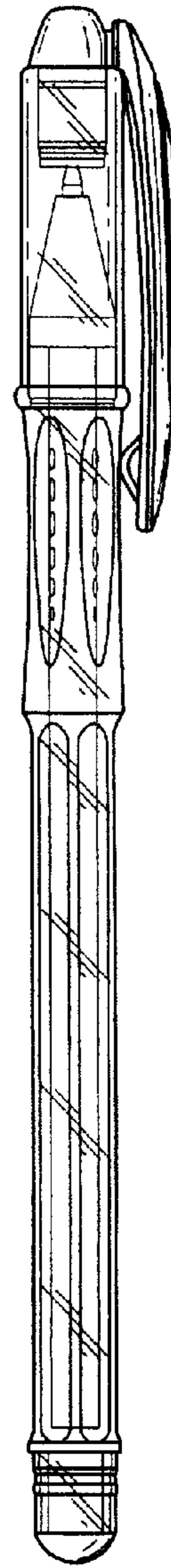


FIG. 4

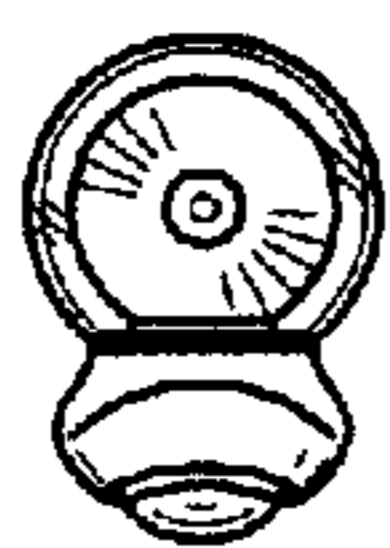


FIG. 5

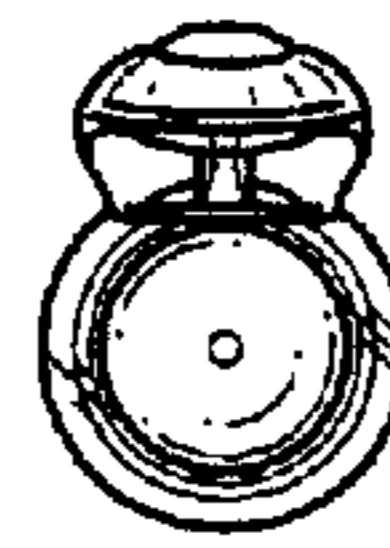


FIG. 6

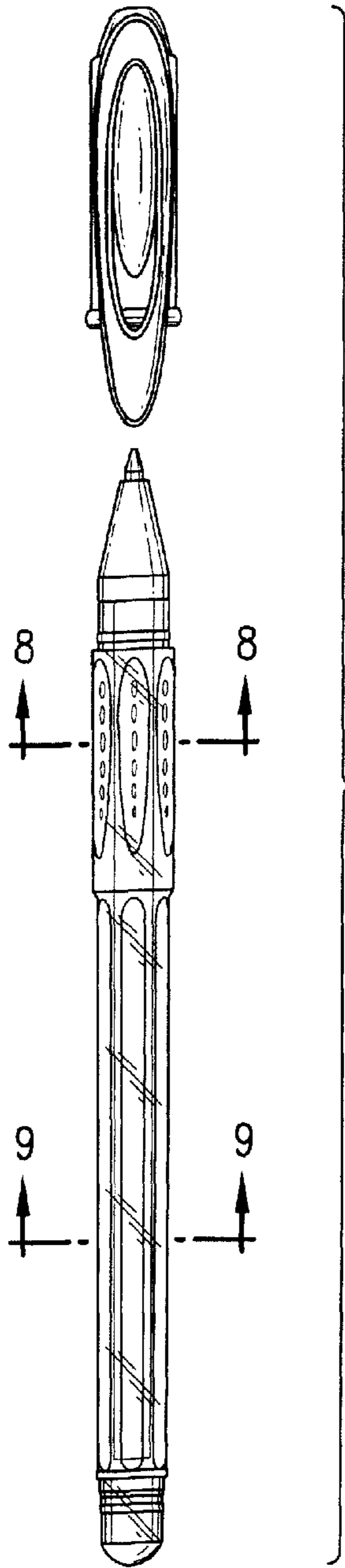


FIG. 7

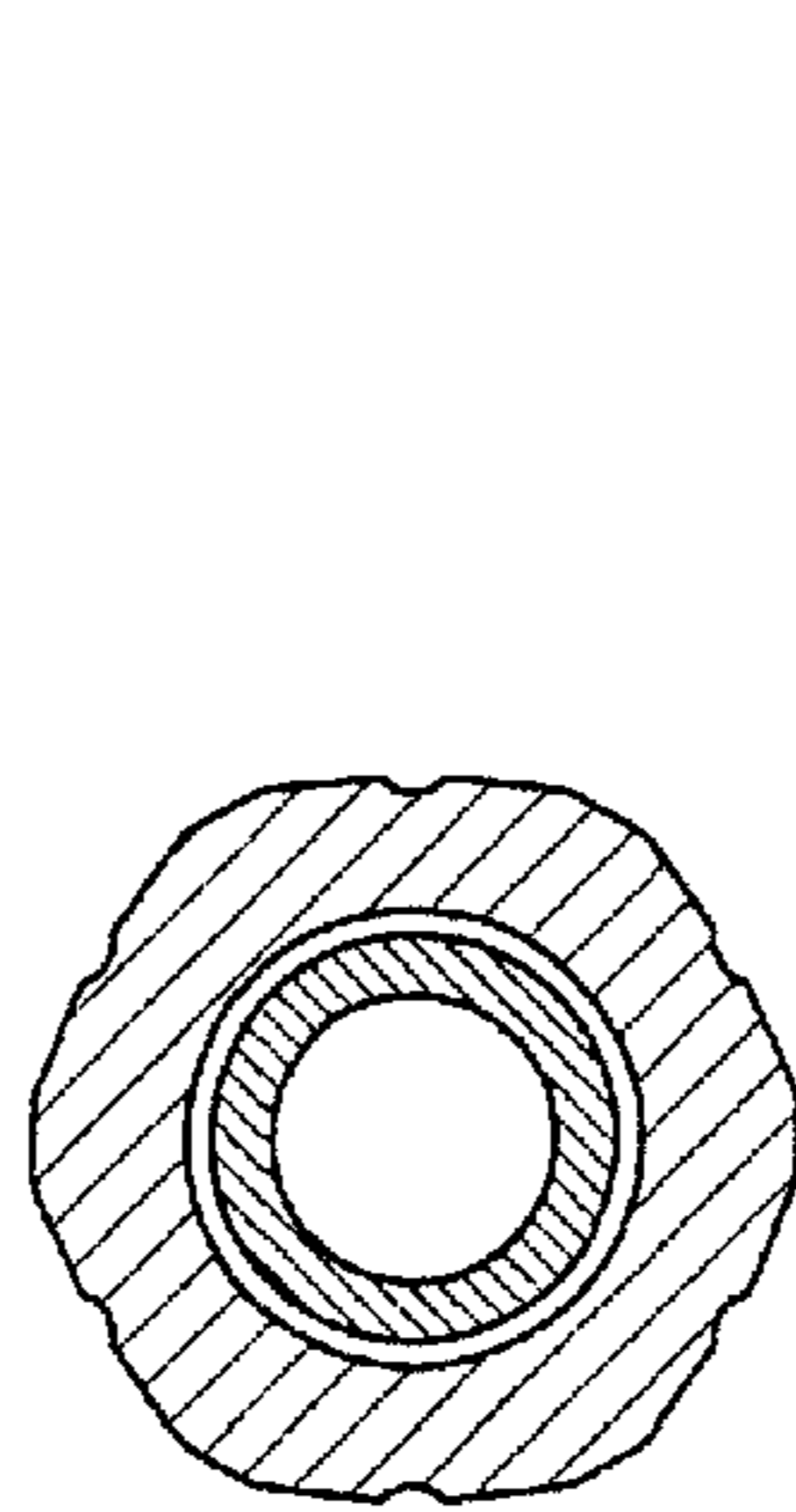


FIG. 8

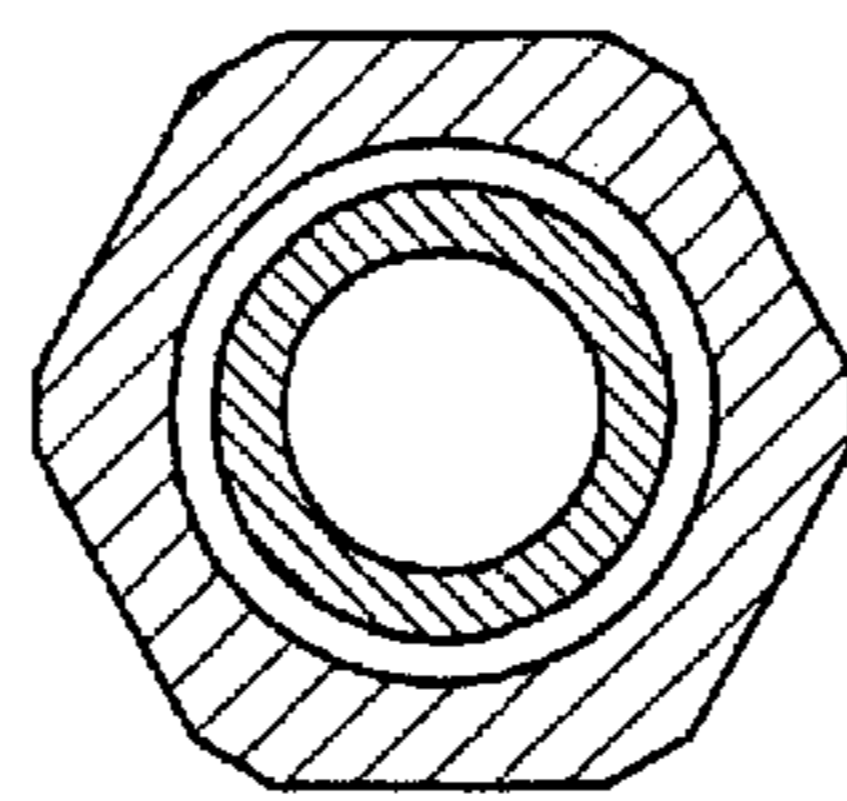


FIG. 9

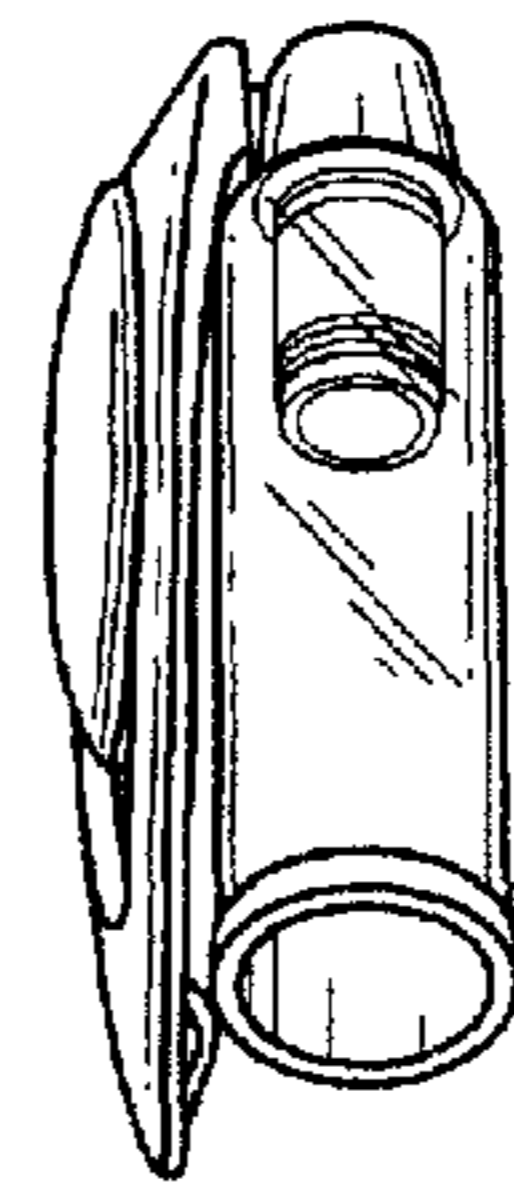


FIG. 10