

US00D540380S

(12) **United States Design Patent**
Hoshiya et al.

(10) **Patent No.:** **US D540,380 S**

(45) **Date of Patent:** **** Apr. 10, 2007**

(54) **INK CARTRIDGE**

(75) Inventors: **Kazuhiro Hoshiya**, Shizuoka (JP);
Shigeharu Katayama, Kakamigahara
(JP); **Nobuyuki Iwai**, Aichi-ken (JP)

(73) Assignee: **Brother Industries, Ltd.**, Nagoya (JP)

(**) Term: **14 Years**

(21) Appl. No.: **29/261,336**

(22) Filed: **Jun. 13, 2006**

(30) **Foreign Application Priority Data**

Dec. 13, 2005 (JP) 2005-036715

(51) **LOC (8) Cl.** **18-02**

(52) **U.S. Cl.** **D18/56; D26/3; D24/216;**
D24/224

(58) **Field of Classification Search** D18/40,
D18/43, 56; D14/481; 347/20, 29, 33, 49-50,
347/86-87; D24/108, 224; 422/102, 913-914;
600/573

See application file for complete search history.

(56) **References Cited**

U.S. PATENT DOCUMENTS

3,890,203 A * 6/1975 Mehl 422/913
4,030,978 A * 6/1977 Abramson 435/260
4,666,850 A * 5/1987 Mehl et al. 435/243

4,929,109 A * 5/1990 Ikenaga 347/86
D318,728 S * 7/1991 Braune D24/224
5,510,820 A * 4/1996 Aulick et al. 347/85
D386,518 S * 11/1997 Miyamoto et al. D18/43
5,839,368 A * 11/1998 Ohinata 347/86
6,238,043 B1 * 5/2001 Silverbrook 347/86
6,238,044 B1 * 5/2001 Silverbrook et al. 347/86
6,425,661 B1 * 7/2002 Silverbrook et al. 347/86
D524,366 S * 7/2006 Arai et al. D18/56
7,086,724 B2 * 8/2006 Silverbrook 347/86
2004/0090504 A1 * 5/2004 Silverbrook et al. 347/86
2005/0057585 A1 * 3/2005 Silverbrook et al. 347/86
2006/0114301 A1 * 6/2006 Silverbrook 347/86

* cited by examiner

Primary Examiner—Cathy Anne MacCormac

(74) *Attorney, Agent, or Firm*—Oliff & Berridge, PLLC

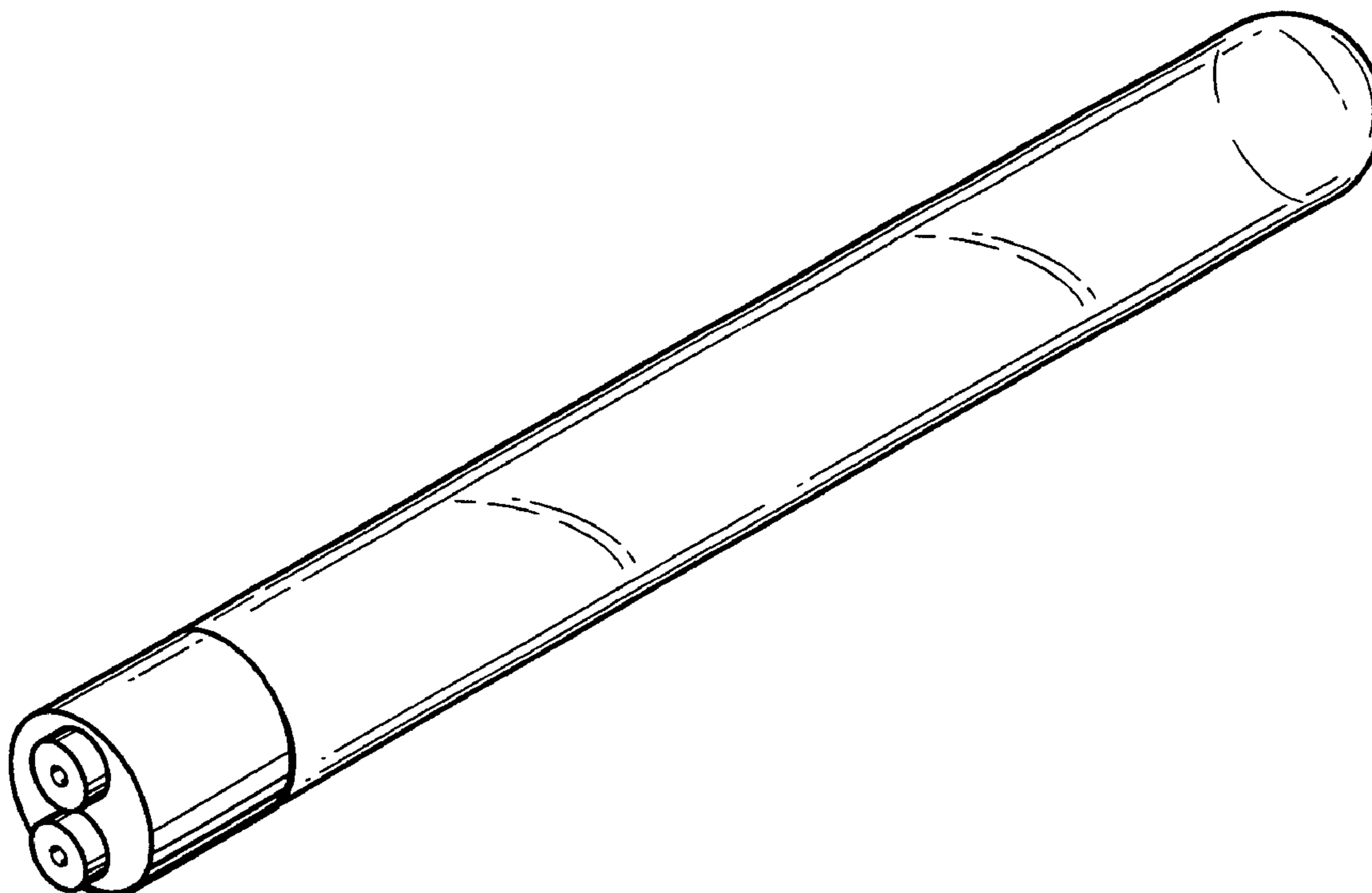
(57) **CLAIM**

The ornamental design for an ink cartridge, as shown and described.

DESCRIPTION

FIG. 1 is a perspective view of an ink cartridge;
FIG. 2 is a front view thereof;
FIG. 3 is a top view thereof, the bottom view being the same;
FIG. 4 is a side view thereof, the opposite side view being
the same; and,
FIG. 5 is a rear view thereof.

1 Claim, 1 Drawing Sheet



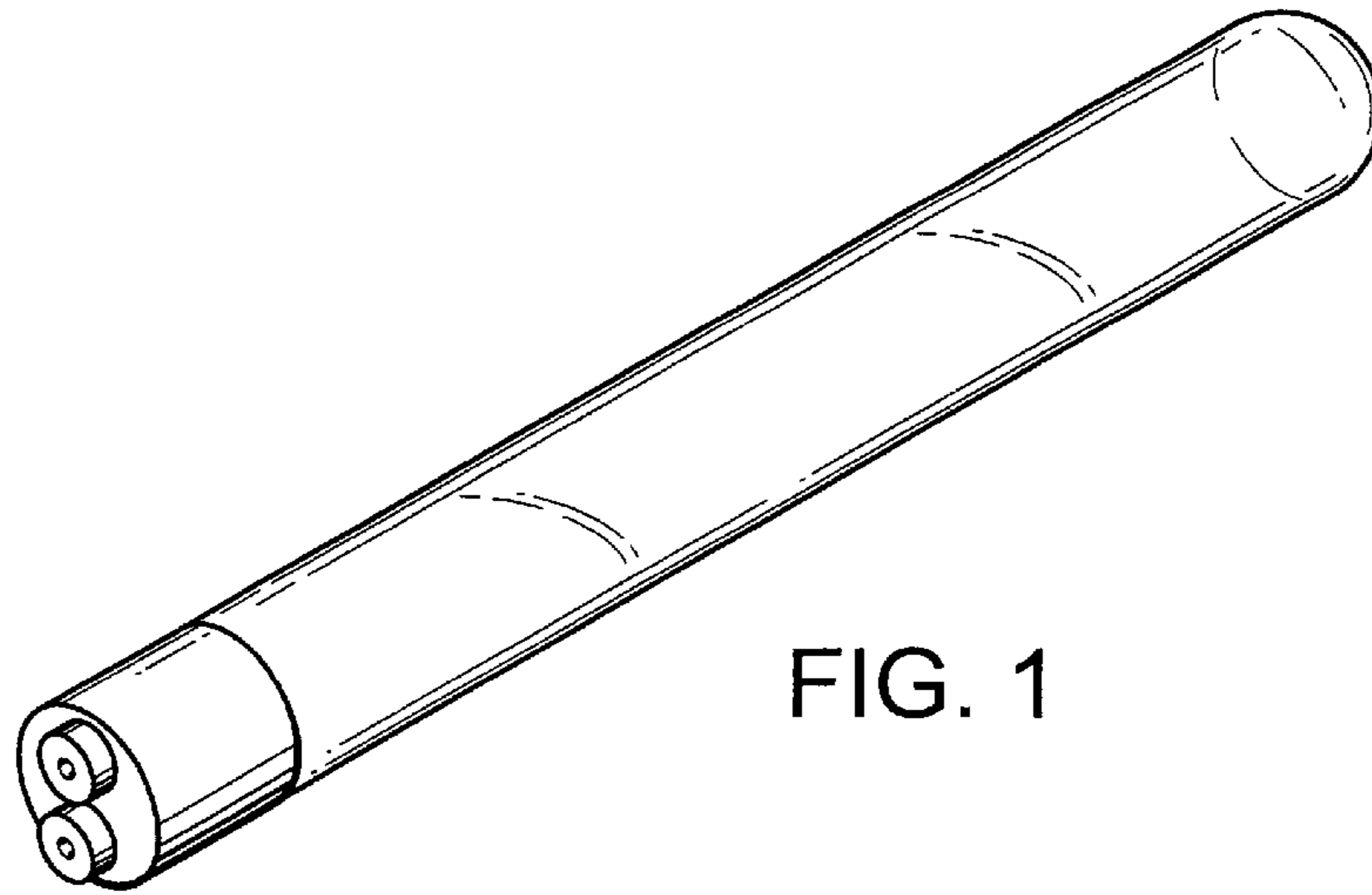


FIG. 1

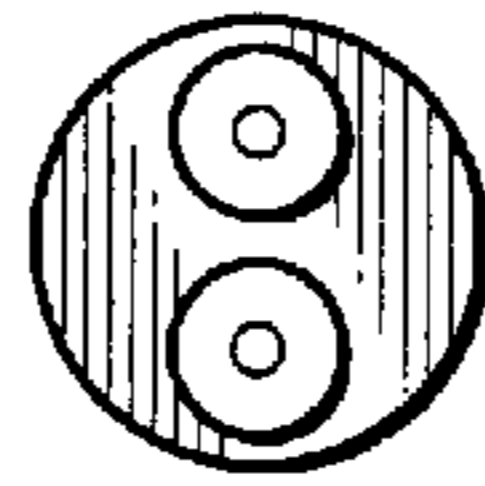


FIG. 2

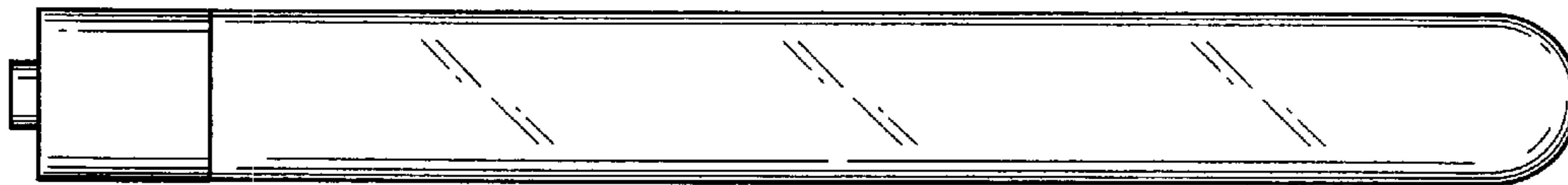


FIG. 3

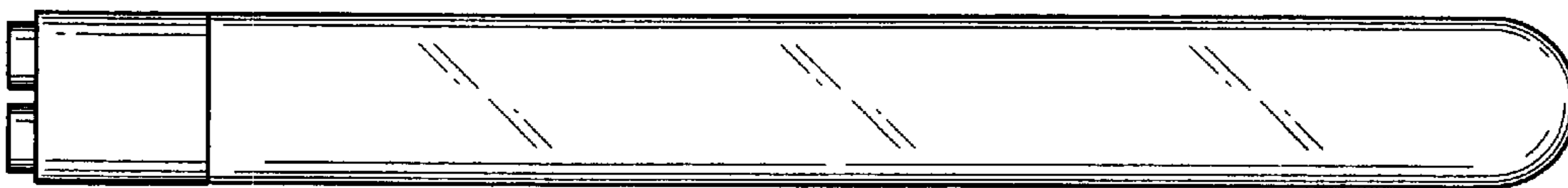


FIG. 4

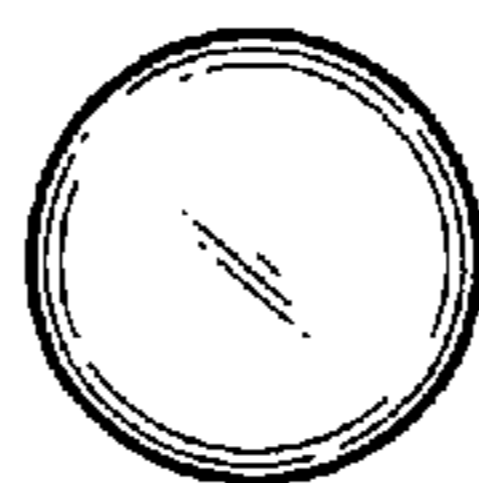


FIG. 5