

US00D540379S

(12) **United States Design Patent**
Hattori et al.

(10) **Patent No.:** **US D540,379 S**

(45) **Date of Patent:** **** Apr. 10, 2007**

(54) **INK CARTRIDGE**

(75) Inventors: **Shingo Hattori**, Tsushima (JP);
Toyonori Sasaki, Anjyo (JP);
Tomohiro Kanbe, Nagoya (JP)

(73) Assignee: **Brother Industries, Ltd.**, Nagoya (JP)

(**) Term: **14 Years**

(21) Appl. No.: **29/256,702**

(22) Filed: **Mar. 24, 2006**

(30) **Foreign Application Priority Data**

Nov. 18, 2005 (JP) 2005-034117

(51) **LOC (8) Cl.** **18-02**

(52) **U.S. Cl.** **D18/56; 347/86**

(58) **Field of Classification Search** D18/12,
D18/40, 43, 56; D14/481, 483; 347/29, 33,
347/49-50, 86-87, 178, 214; 399/25, 110
See application file for complete search history.

(56) **References Cited**

U.S. PATENT DOCUMENTS

- D361,591 S * 8/1995 Tokuda et al. D18/56
- 5,541,631 A * 7/1996 Hashimoto 347/86
- 5,666,146 A * 9/1997 Mochizuki et al. 347/86
- D447,169 S * 8/2001 Okubo et al. D18/56
- D447,513 S * 9/2001 Miyazawa et al. D18/56
- D448,798 S * 10/2001 Shimizu et al. D18/56
- D449,643 S * 10/2001 Hatasa et al. D18/56

- D468,347 S * 1/2003 Yamada et al. D18/56
- D468,768 S * 1/2003 Yamada et al. D18/56
- D477,020 S * 7/2003 Seino D18/56
- D489,757 S * 5/2004 Matsumoto D18/56
- D490,102 S * 5/2004 Umeyama et al. D18/56
- D490,846 S * 6/2004 Suzuki et al. D18/56
- D491,221 S * 6/2004 Umeyama et al. D18/56
- D522,049 S * 5/2006 Ishizawa et al. D18/56

* cited by examiner

Primary Examiner—Cathy Anne MacCormac

(74) *Attorney, Agent, or Firm*—Oliff & Berridge, PLC

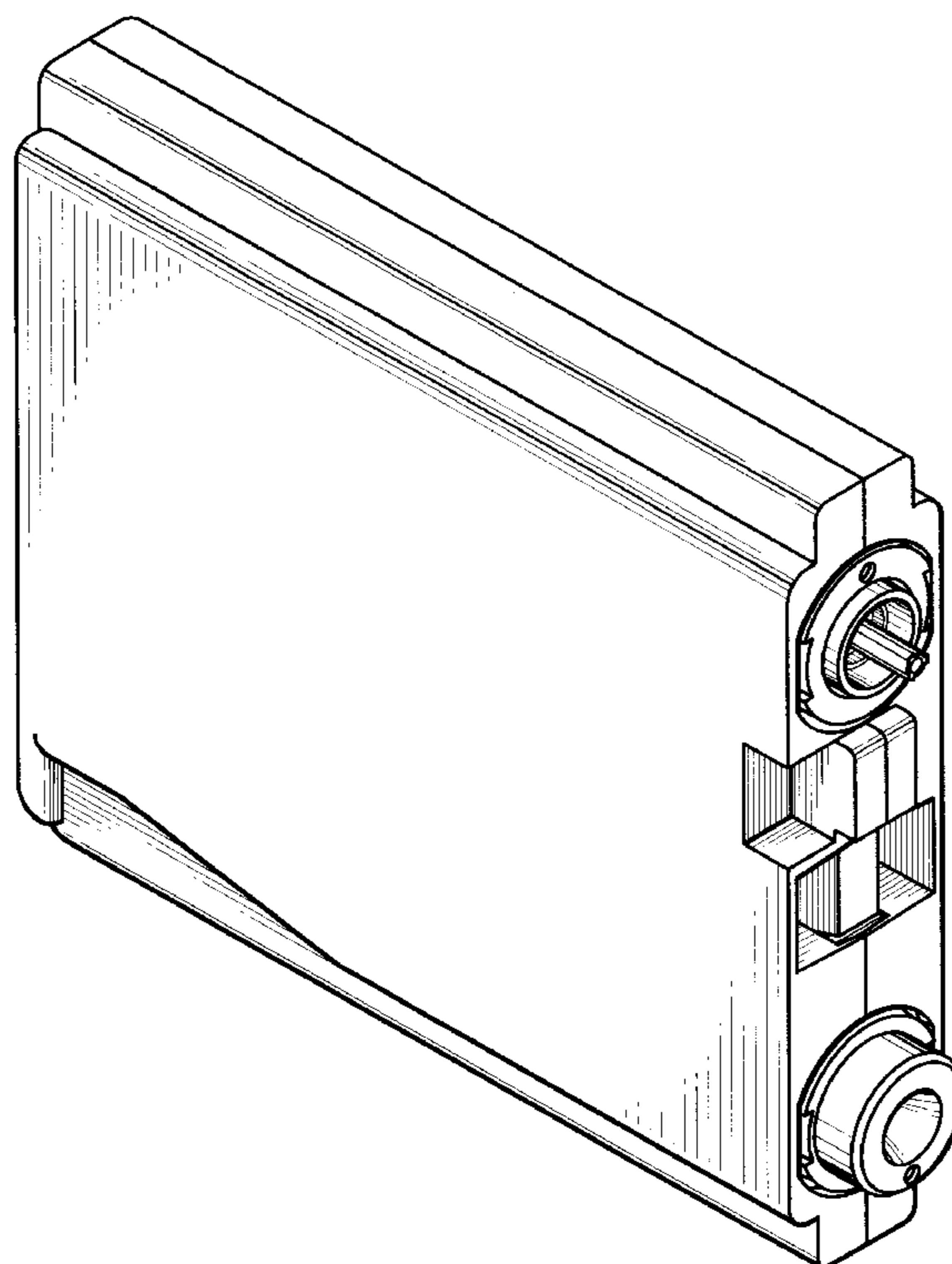
(57) **CLAIM**

The ornamental design for an ink cartridge, as shown and described.

DESCRIPTION

FIG. 1 is a perspective view of an ink cartridge;
 FIG. 2 is a front view thereof;
 FIG. 3 is a top view thereof;
 FIG. 4 is a right side view thereof;
 FIG. 5 is a left side view thereof;
 FIG. 6 is a rear view thereof;
 FIG. 7 is a bottom view thereof;
 FIG. 8 is an enlarged partial cross-sectional view thereof taken along the line 8—8 of FIG. 4; and,
 FIG. 9 is an enlarged partial section view thereof taken along the line 9—9 of FIG. 4.
 The broken lines are for illustrative purposes only and form no part of the claimed design.

1 Claim, 6 Drawing Sheets



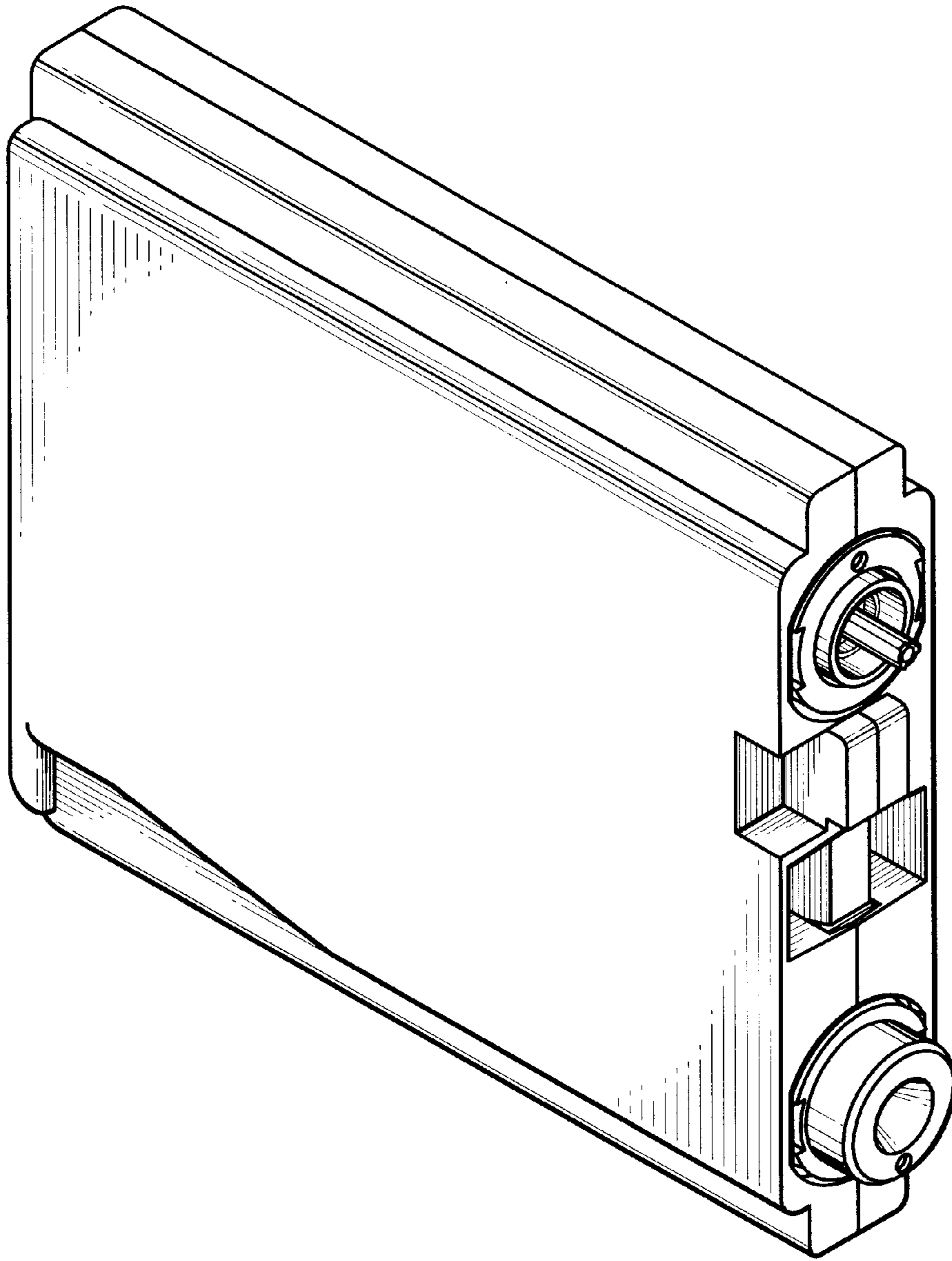


FIG. 1

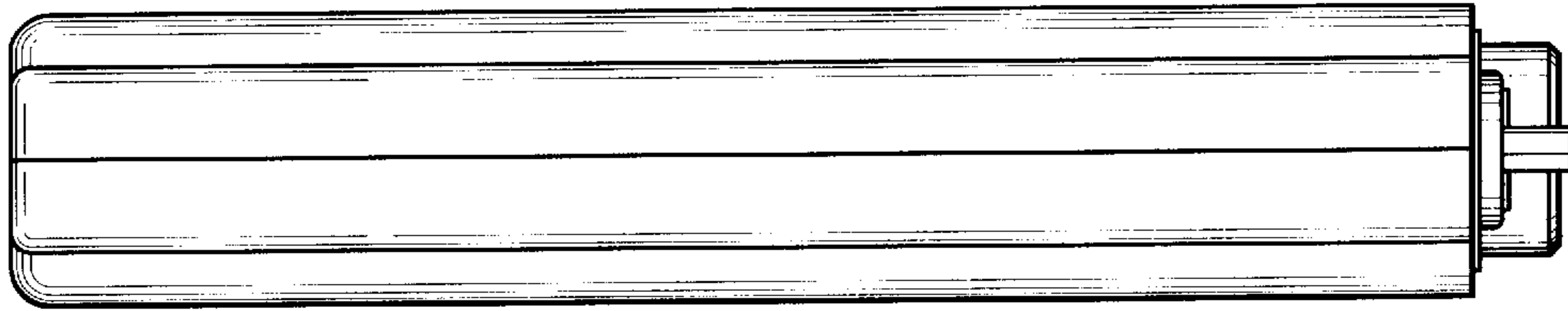


FIG. 3

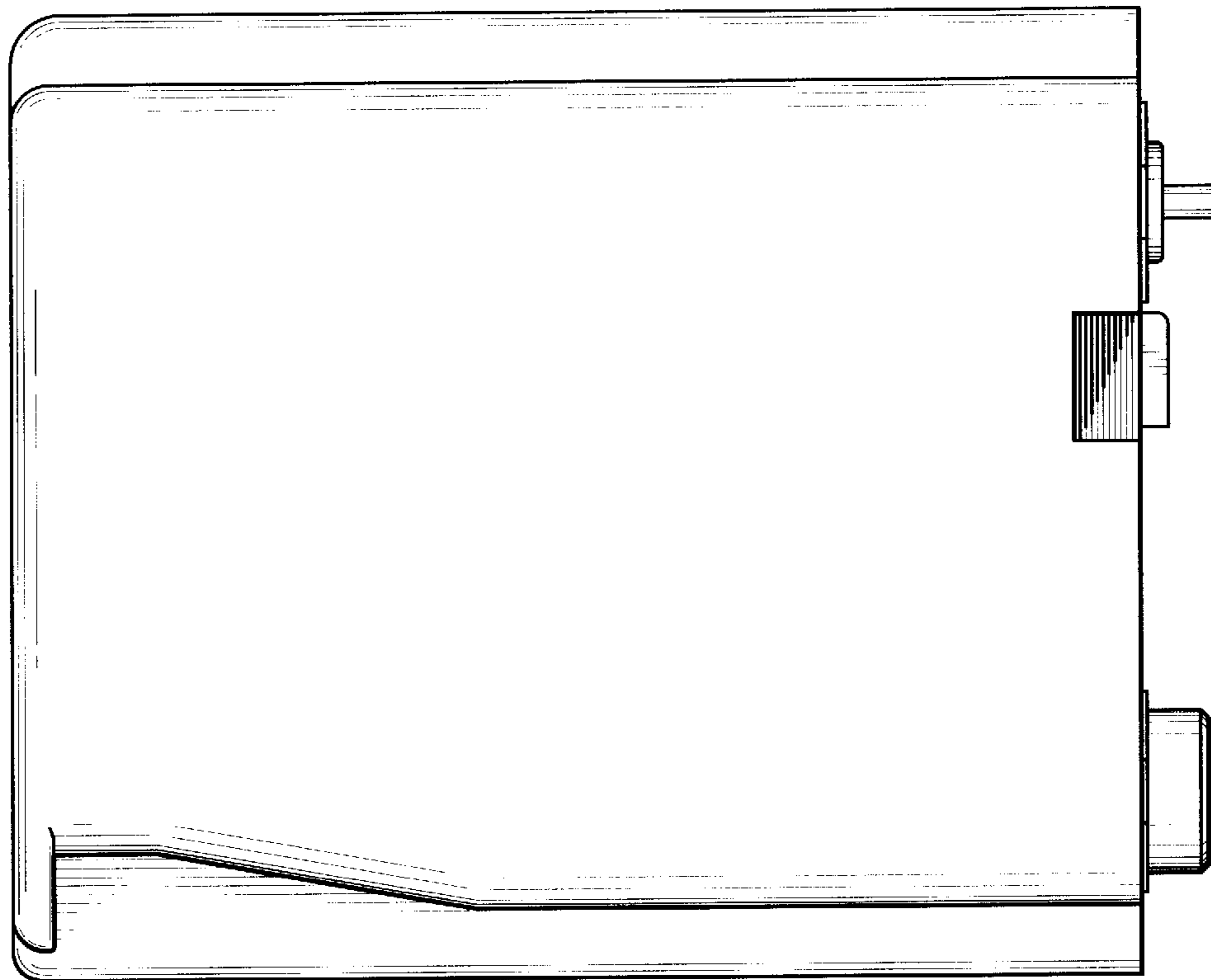


FIG. 2

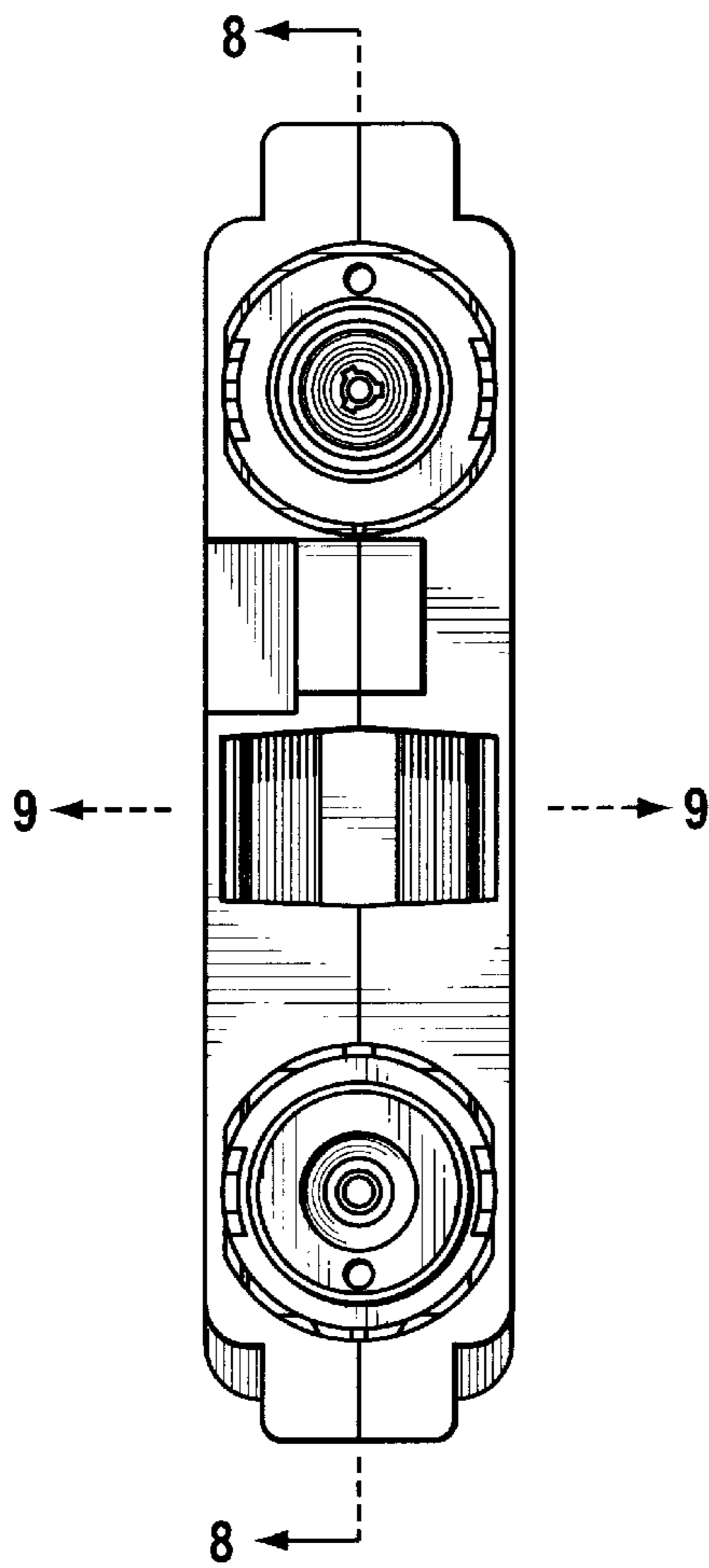


FIG. 4

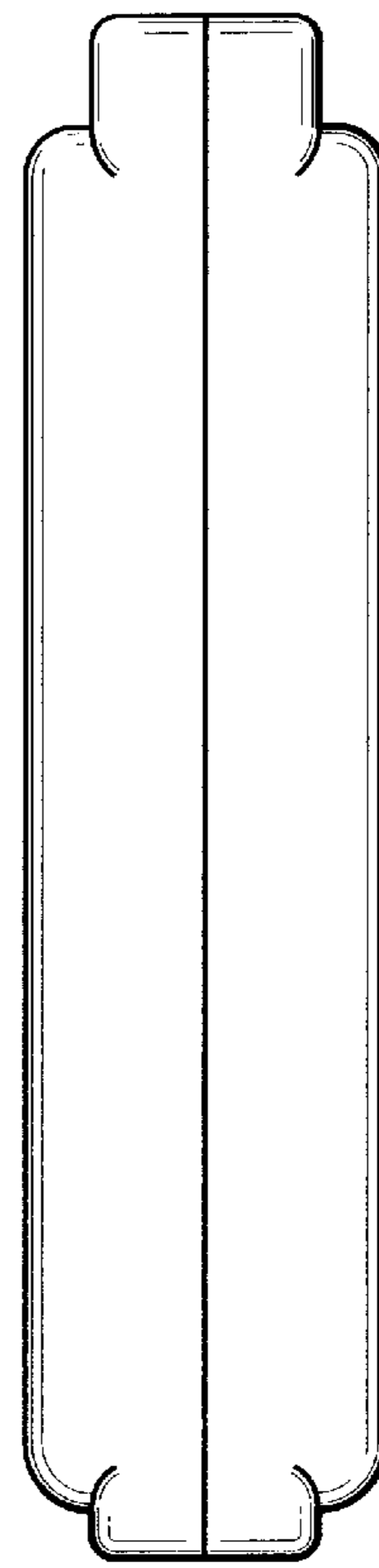


FIG. 5

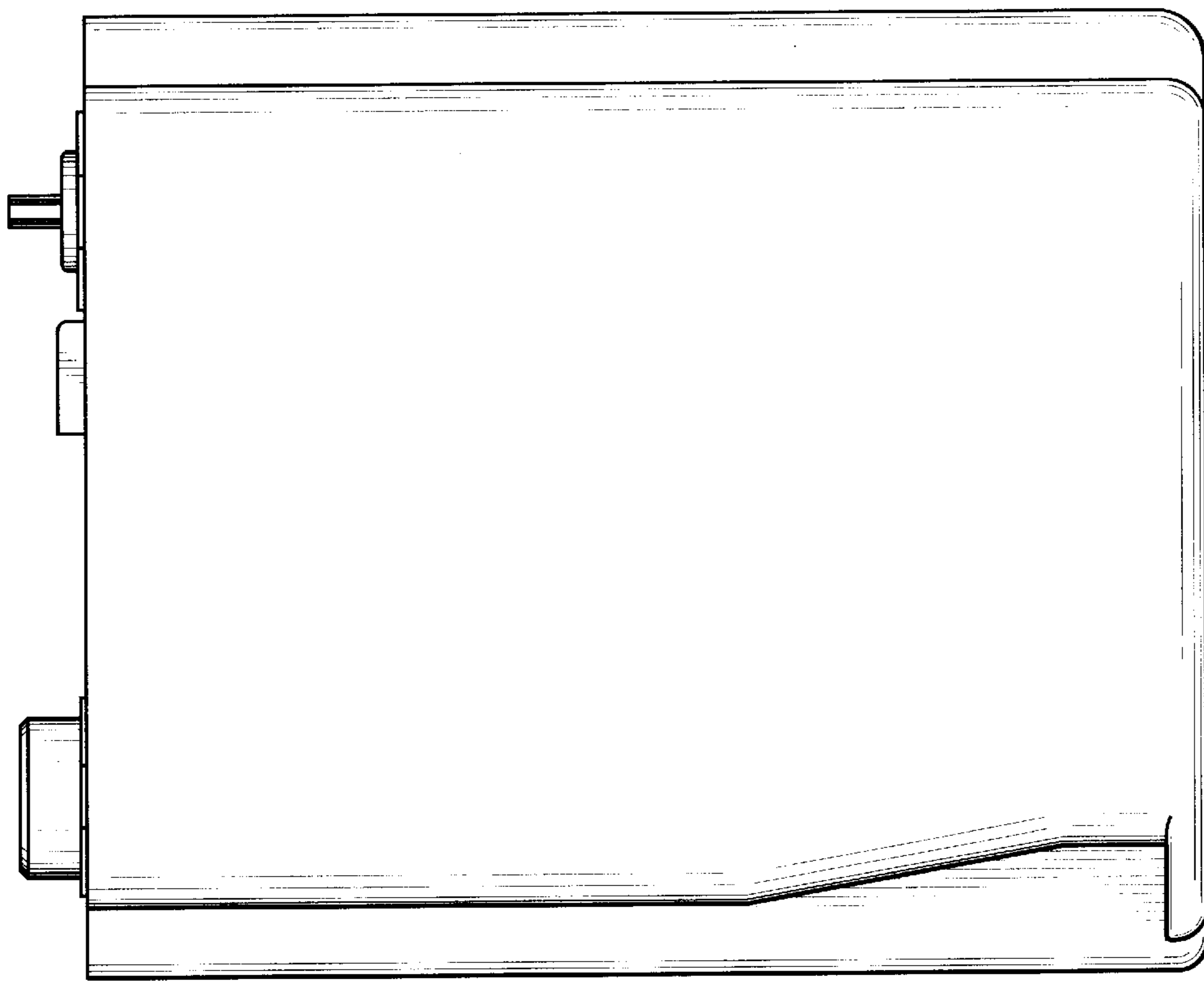


FIG. 6

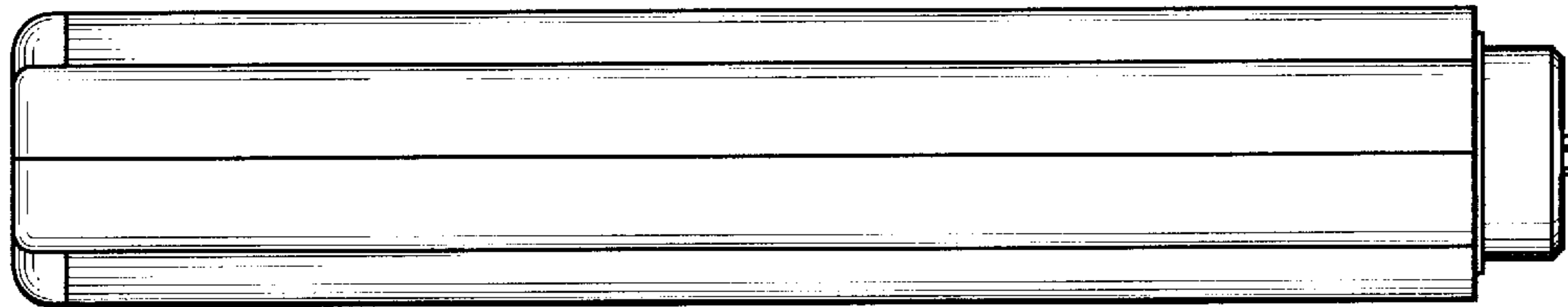


FIG. 7

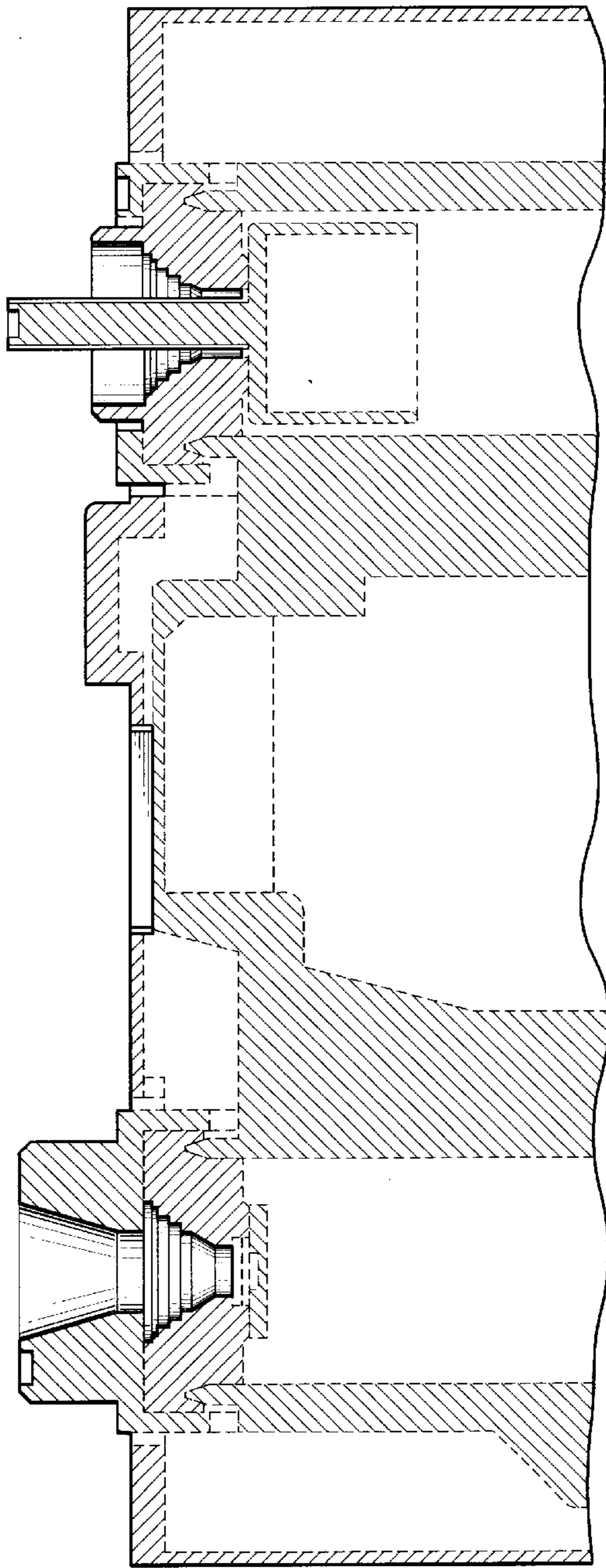


FIG. 8

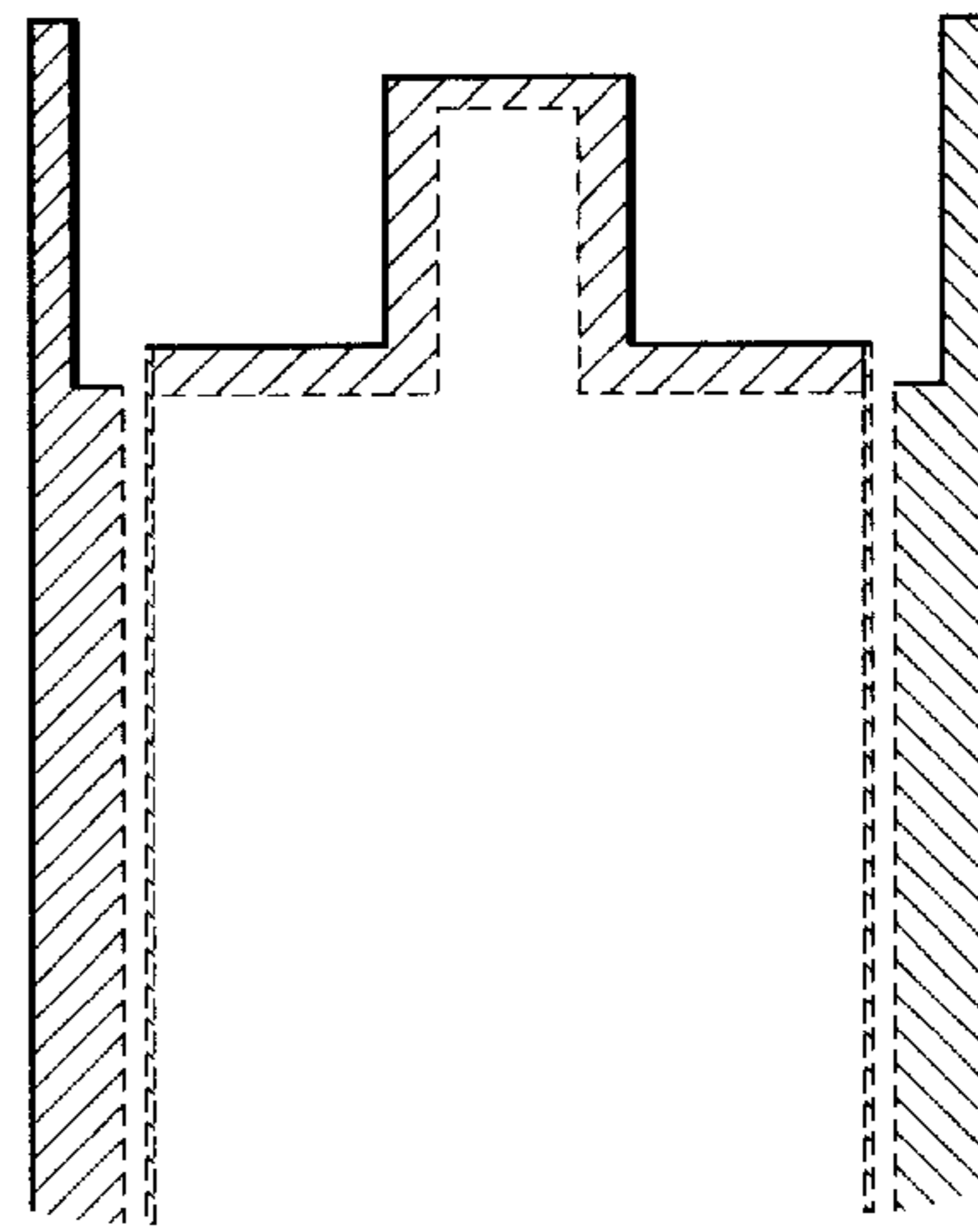


FIG. 9