



US00D540378S

(12) **United States Design Patent**
Steinmetz et al.

(10) **Patent No.: US D540,378 S**

(45) **Date of Patent: ** Apr. 10, 2007**

(54) **INK CONTAINER**

(75) Inventors: **Charles R. Steinmetz**, Corvallis, OR (US); **Ronald R. Anderson**, Corvallis, OR (US); **Peter G. Hwang**, Vancouver, WA (US); **Daniel W. Petersen**, Philomath, OR (US); **Lisa M. Hanson**, Vancouver, WA (US); **Daniel R. Dwyer**, BattleGround, WA (US)

(73) Assignee: **Hewlett-Packard Development Company, L..P.**, Houston, TX (US)

(**) Term: **14 Years**

(21) Appl. No.: **29/254,481**

(22) Filed: **Feb. 23, 2006**

Related U.S. Application Data

(62) Division of application No. 29/204,983, filed on May 7, 2004, now Pat. No. Des. 528,599.

(51) **LOC (8) Cl.** **18-02**

(52) **U.S. Cl.** **D18/56; 347/86**

(58) **Field of Classification Search** D18/40, D18/43, 56; 347/33, 49, 50, 85, 86-87; 399/110
See application file for complete search history.

(56) **References Cited**

U.S. PATENT DOCUMENTS

4,491,433 A * 1/1985 Shiurila et al. 347/85

D495,735 S * 9/2004 Levin et al. D18/56
D497,176 S * 10/2004 Levin et al. D18/56
2003/0142180 A1 * 7/2003 Gonzales 347/86
2004/0021751 A1 * 2/2004 Steinmetz et al. 347/86
2004/0183873 A1 * 9/2004 Steinmetz et al. 347/86
2005/0162490 A1 * 7/2005 Katayama et al. 347/86
2005/0206693 A1 * 9/2005 Chen 347/85

* cited by examiner

Primary Examiner—Cathy Anne MacCormac

(74) *Attorney, Agent, or Firm*—Thomas A. Jolly

(57) **CLAIM**

The ornamental design for an ink container, as shown and described.

DESCRIPTION

FIG. 1 is an enlarged left-rear perspective view of an ink container showing the new design;

FIG. 2 is a top view thereof;

FIG. 3 is a bottom view thereof;

FIG. 4 is a left side view thereof;

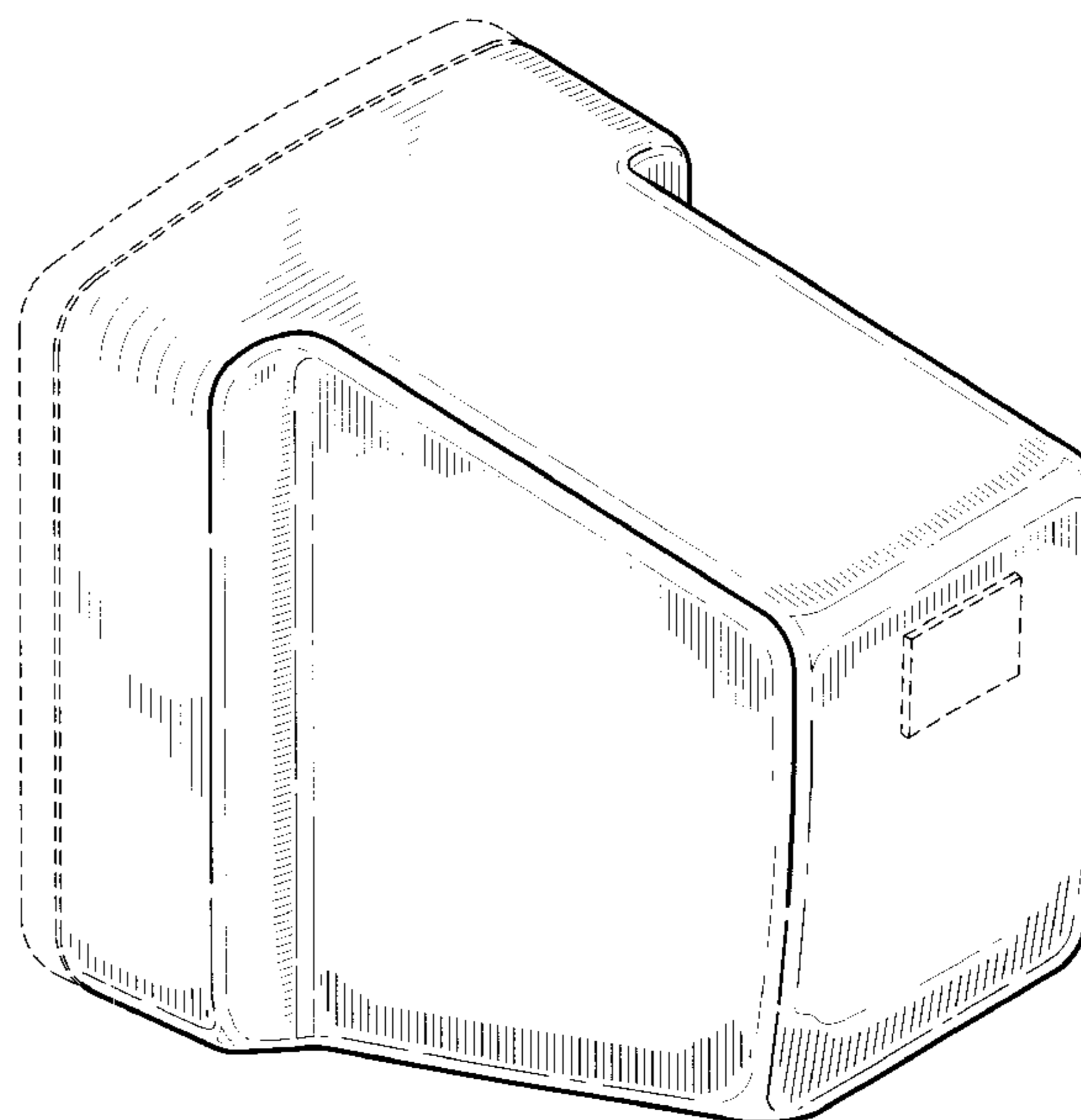
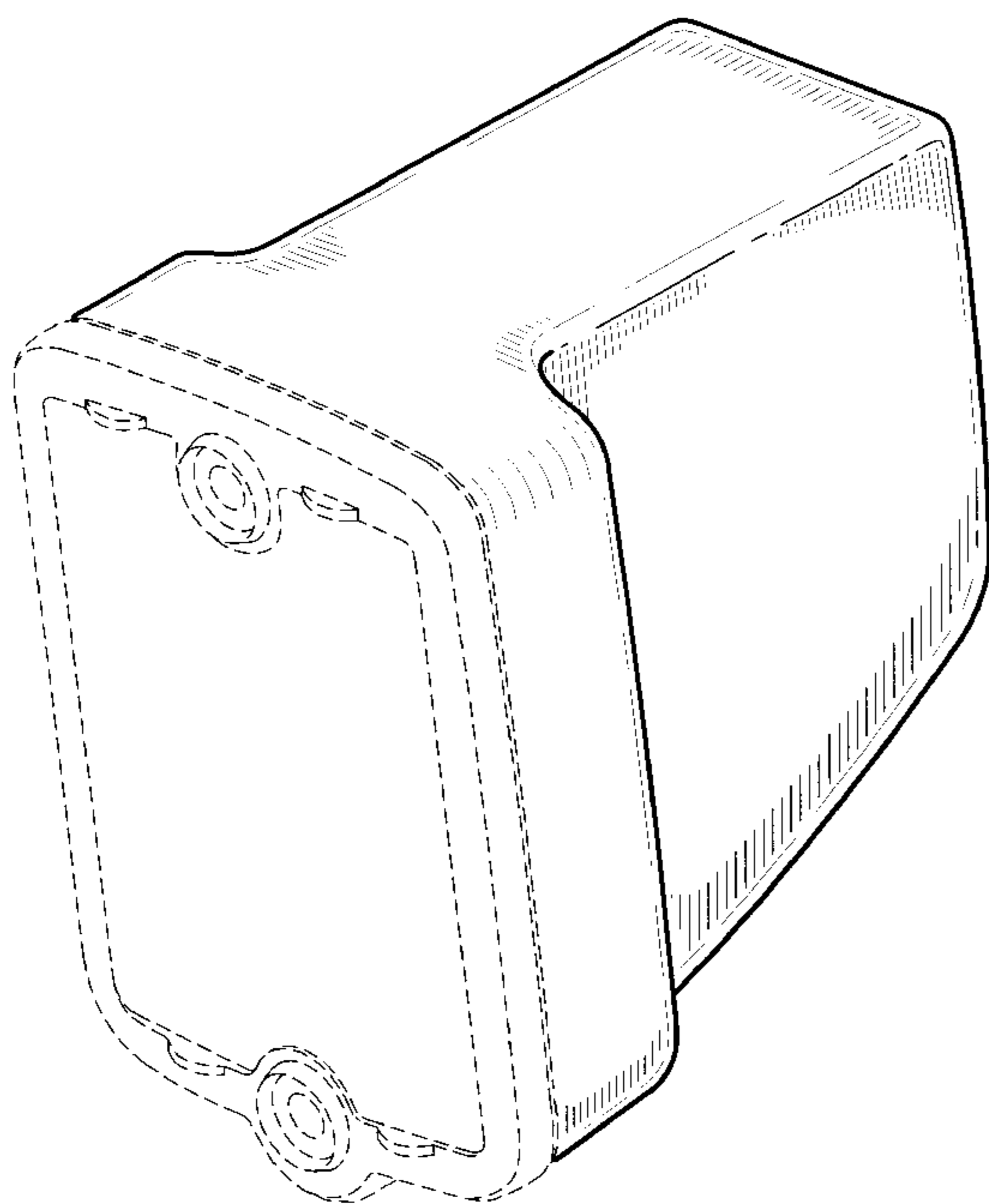
FIG. 5 is a right side view thereof;

FIG. 6 is a front view thereof; and,

FIG. 7 is an enlarged left-front perspective view thereof.

The broken lines in FIGS. 1-7 are for illustrative purposes only and form no part of the claimed design.

1 Claim, 5 Drawing Sheets



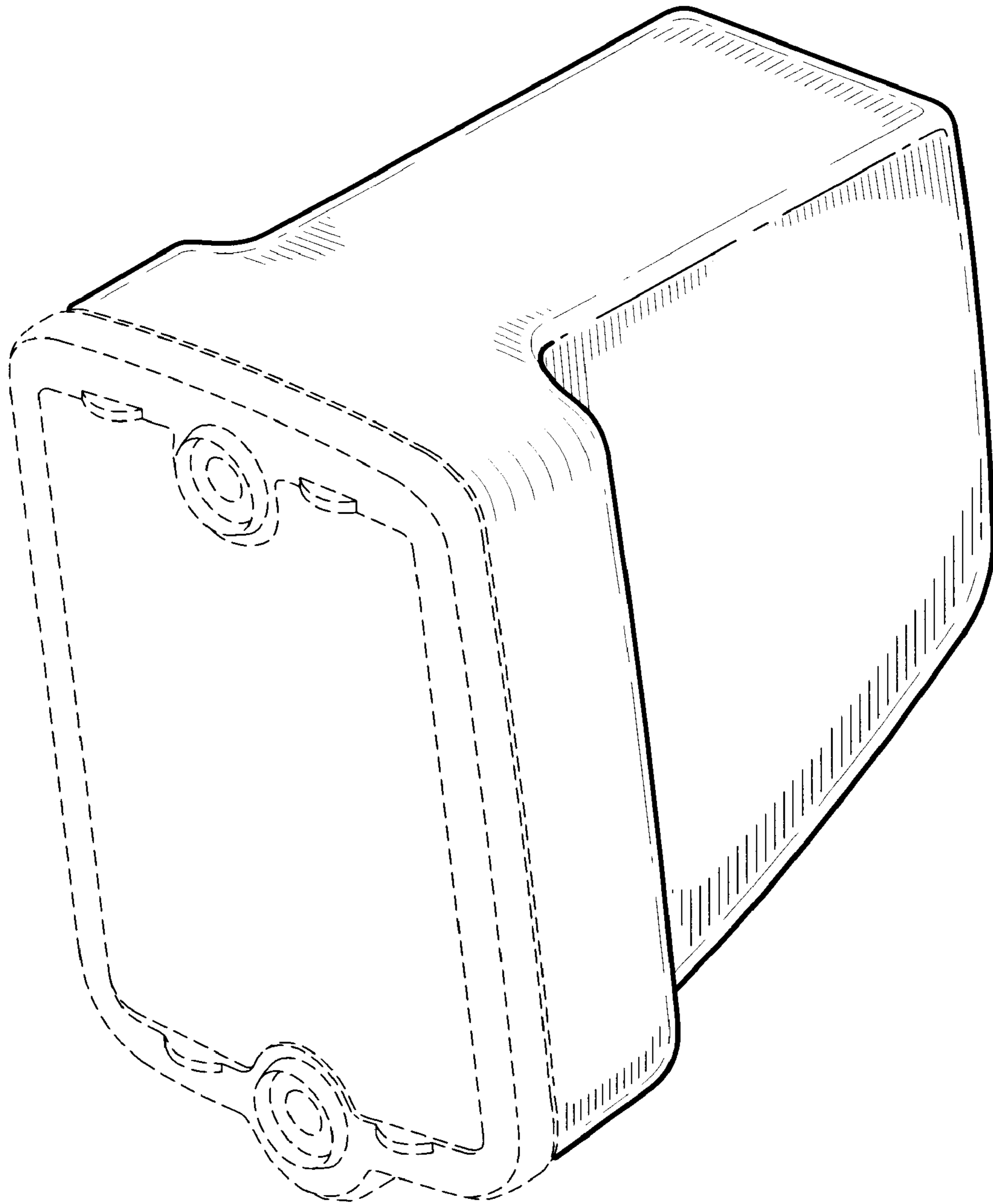


Fig. 1

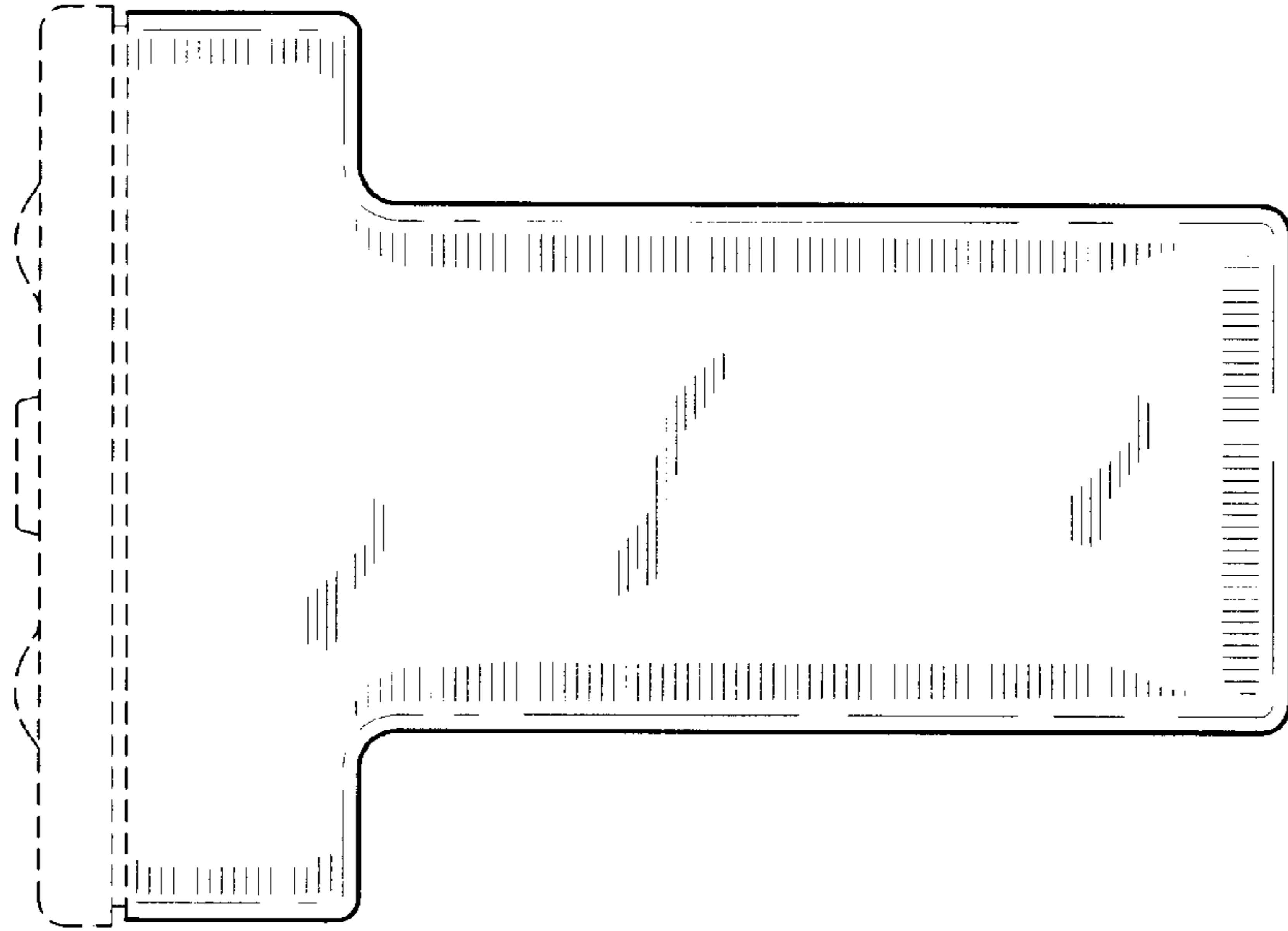


Fig. 2

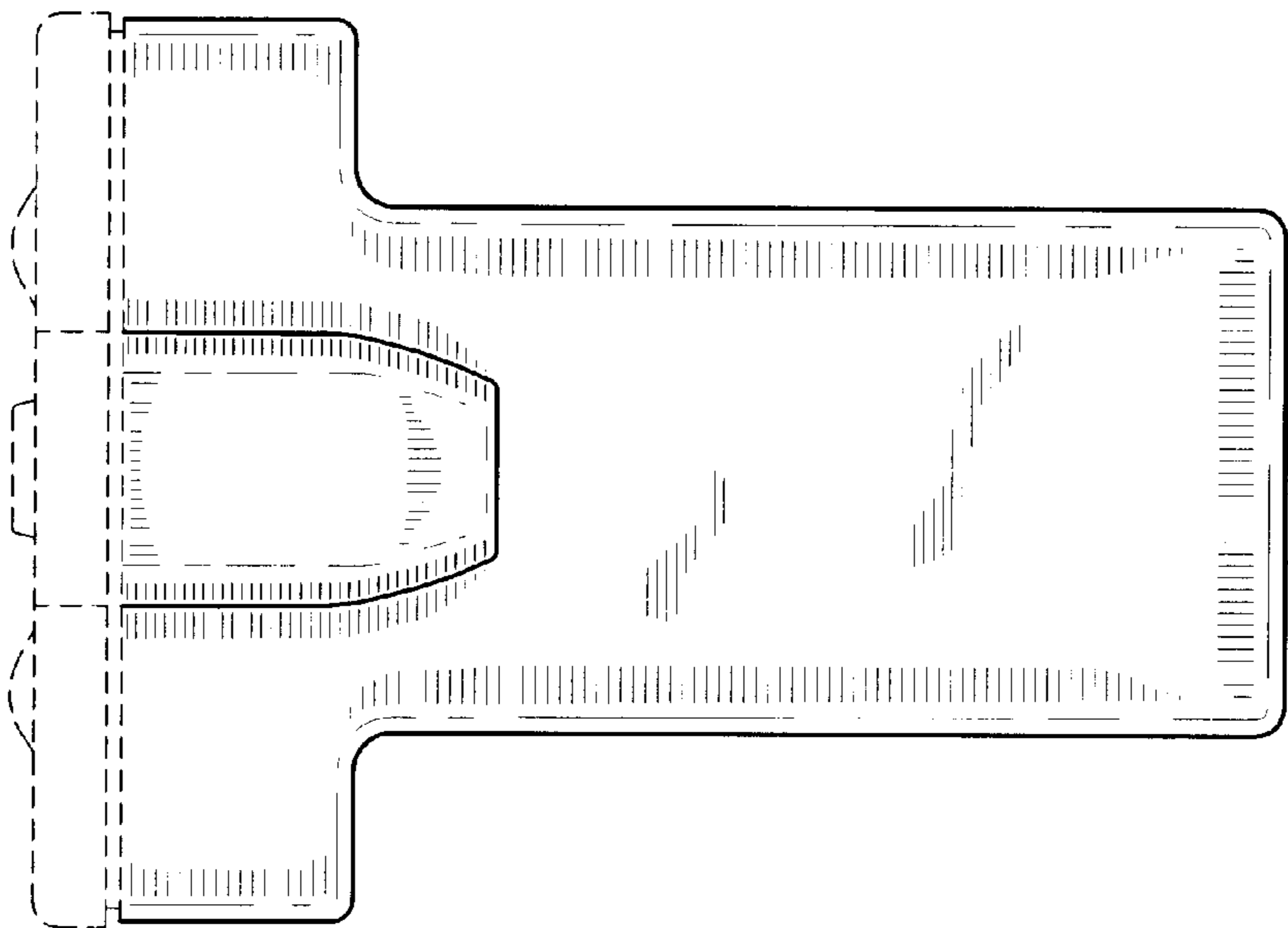


Fig. 3

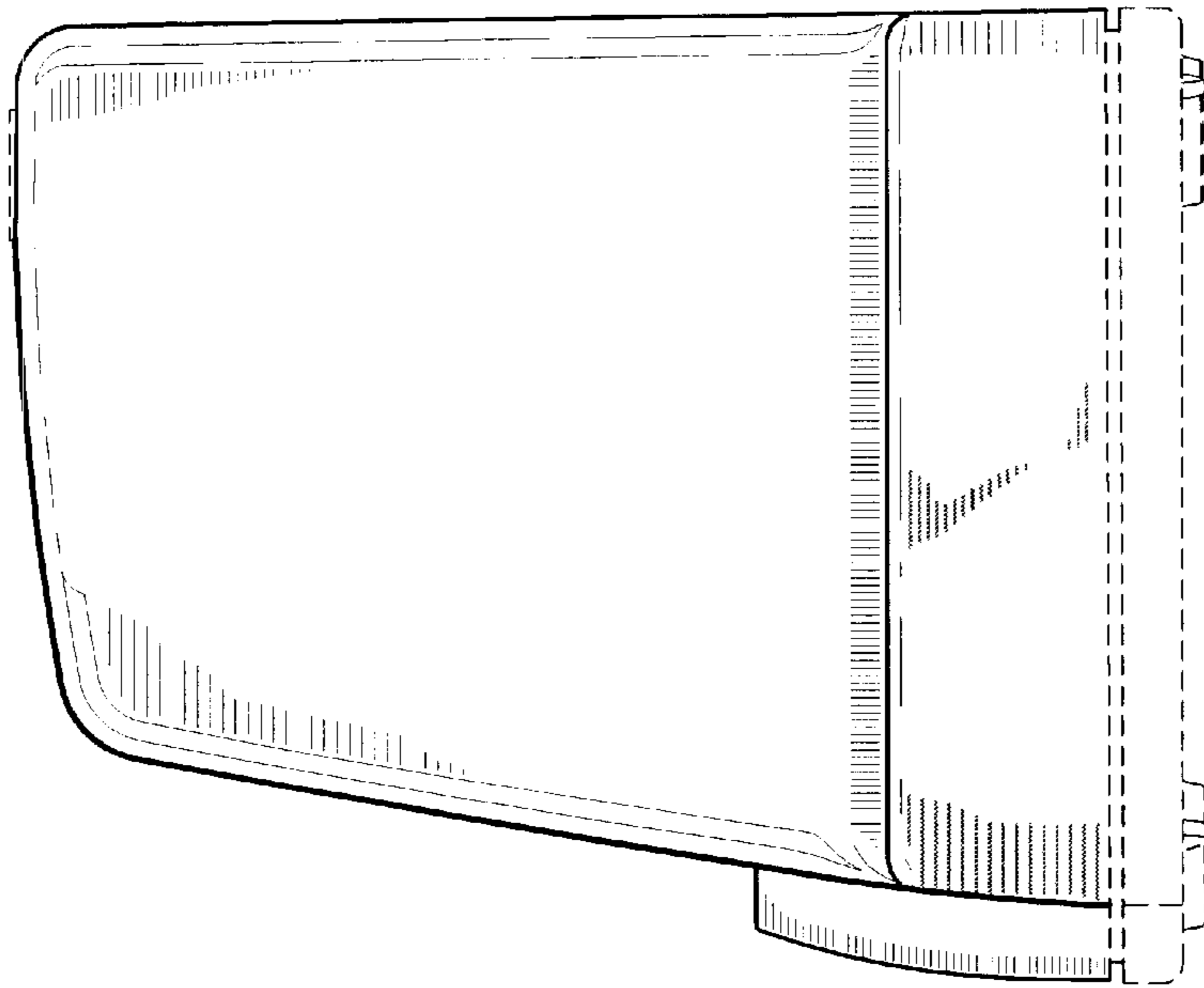


Fig. 4

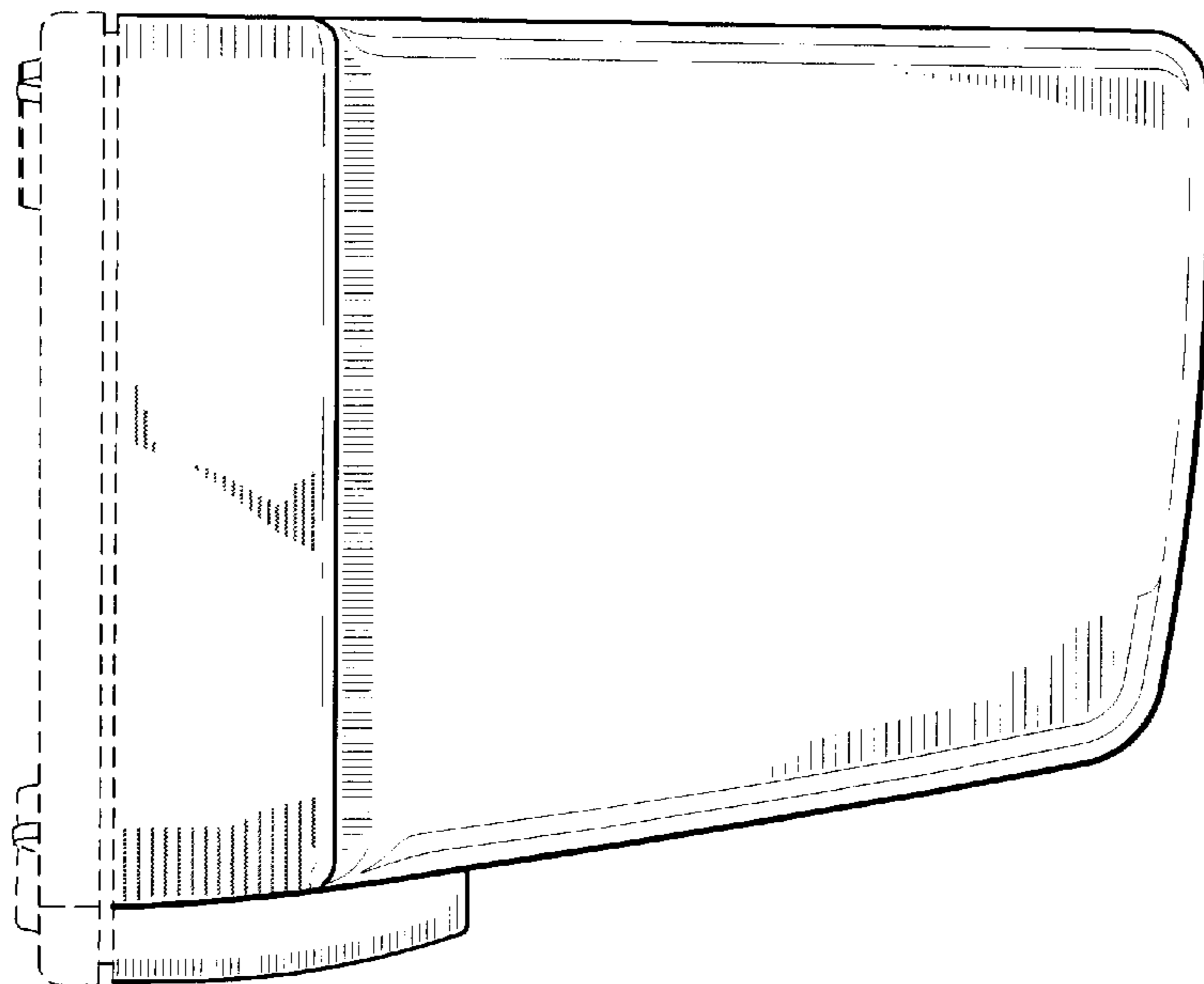


Fig. 5

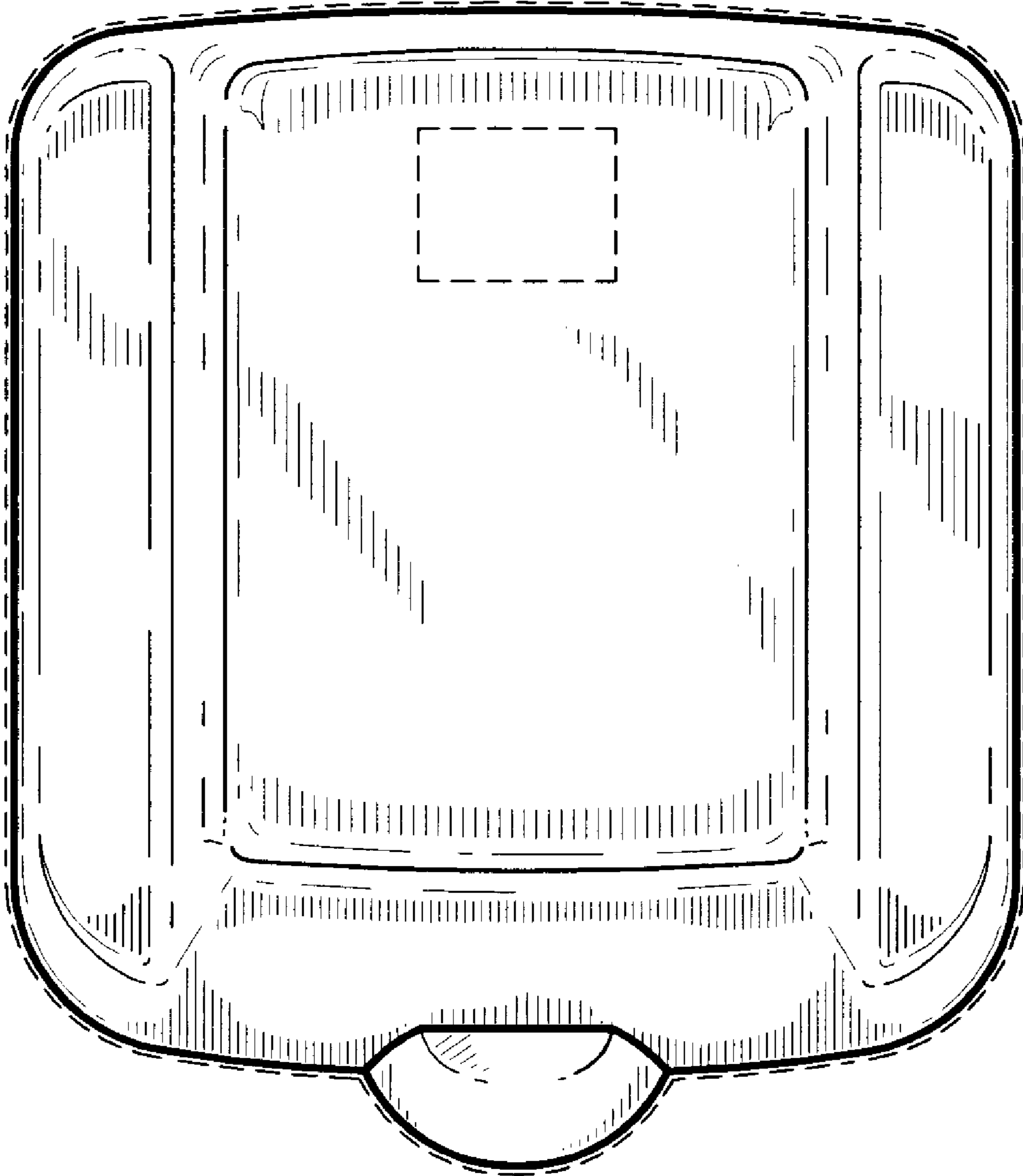


Fig. 6

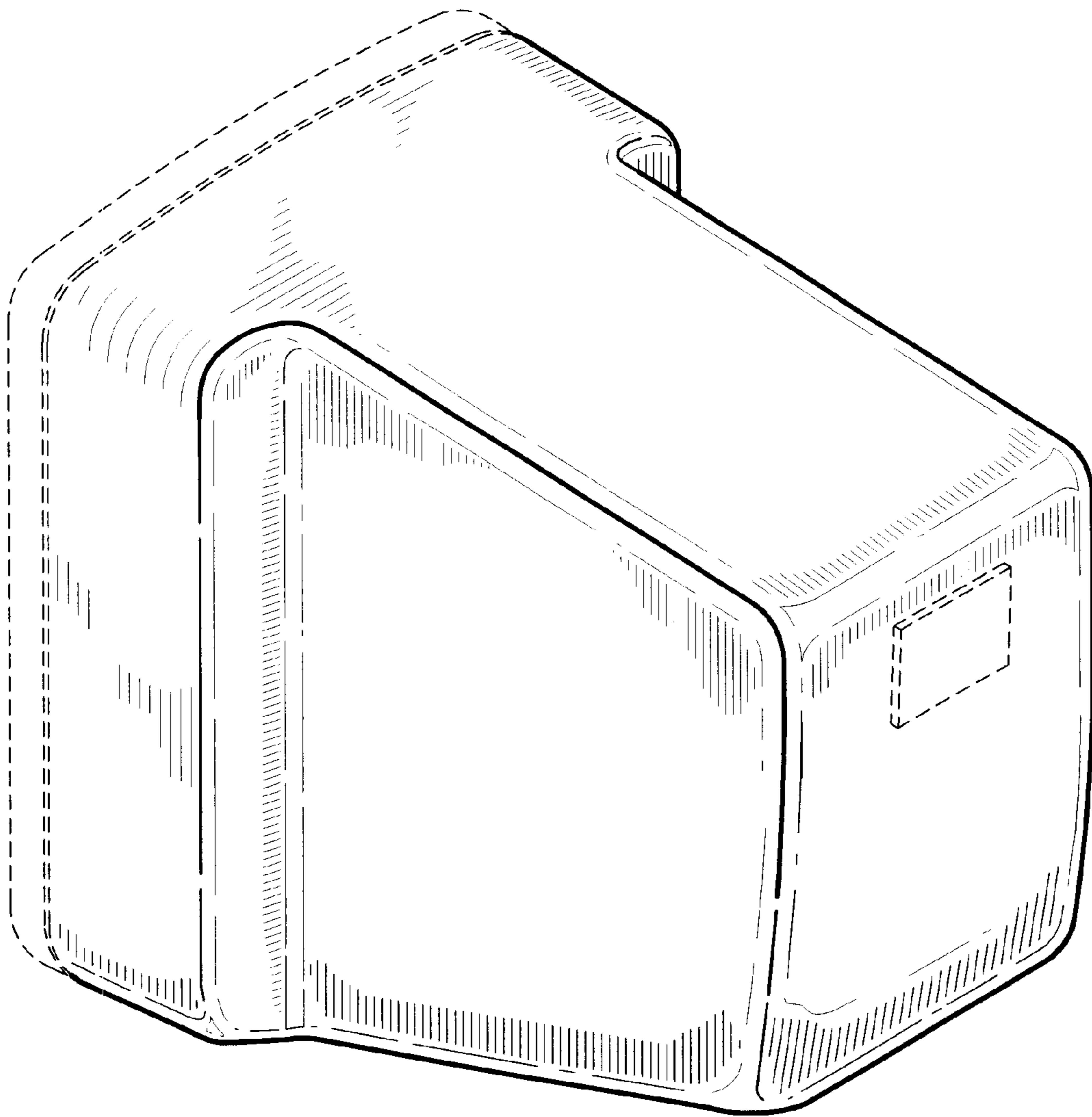


Fig. 7