



US00D540376S

(12) **United States Design Patent**
Hwang et al.

(10) **Patent No.:** **US D540,376 S**
(45) **Date of Patent:** **** Apr. 10, 2007**

- (54) **PRINTER INK RESERVOIR**
- (75) Inventors: **Peter G. Hwang**, Vancouver, WA (US);
Daniel W. Petersen, Philomath, OR
(US); **Charles R. Steinmetz**, Corvallis,
OR (US); **Lisa M. Hanson**, Vancouver,
WA (US); **Daniel R. Dwyer**,
BattleGround, WA (US)
- (73) Assignee: **Hewlett-Packard Development
Company, L.P.**, Houston, TX (US)

(**) Term: **14 Years**

(21) Appl. No.: **29/233,149**

(22) Filed: **Jun. 27, 2005**

Related U.S. Application Data

- (62) Division of application No. 29/190,698, filed on Sep. 24, 2003.
- (51) **LOC (8) Cl.** **18-02**
- (52) **U.S. Cl.** **D18/56**
- (58) **Field of Classification Search** D18/40,
D18/43, 56; 347/33, 49, 50, 86-87; 399/110
See application file for complete search history.

(56) **References Cited**

U.S. PATENT DOCUMENTS

D367,884 S 3/1996 Taneya et al.

- D436,618 S 1/2001 Kotaki et al.
- D440,599 S 4/2001 Kotaki et al.
- D441,013 S 4/2001 Kotaki et al.
- 6,648,460 B2 * 11/2003 Gonzales 347/86
- D495,735 S * 9/2004 Levin et al. D18/56
- D497,176 S * 10/2004 Levin et al. D18/56
- 2001/0009432 A1 7/2001 Olsen et al.
- 2003/0025763 A1 2/2003 Sturgeon et al.
- 2004/0021751 A1 * 2/2004 Steinmetz et al. 347/86
- 2004/0183873 A1 * 9/2004 Steinmetz et al. 347/86
- 2005/0007426 A1 1/2005 Silverbrook et al.
- 2005/0073560 A1 4/2005 Gray et al.

* cited by examiner

Primary Examiner—Cathy Anne MacCormac

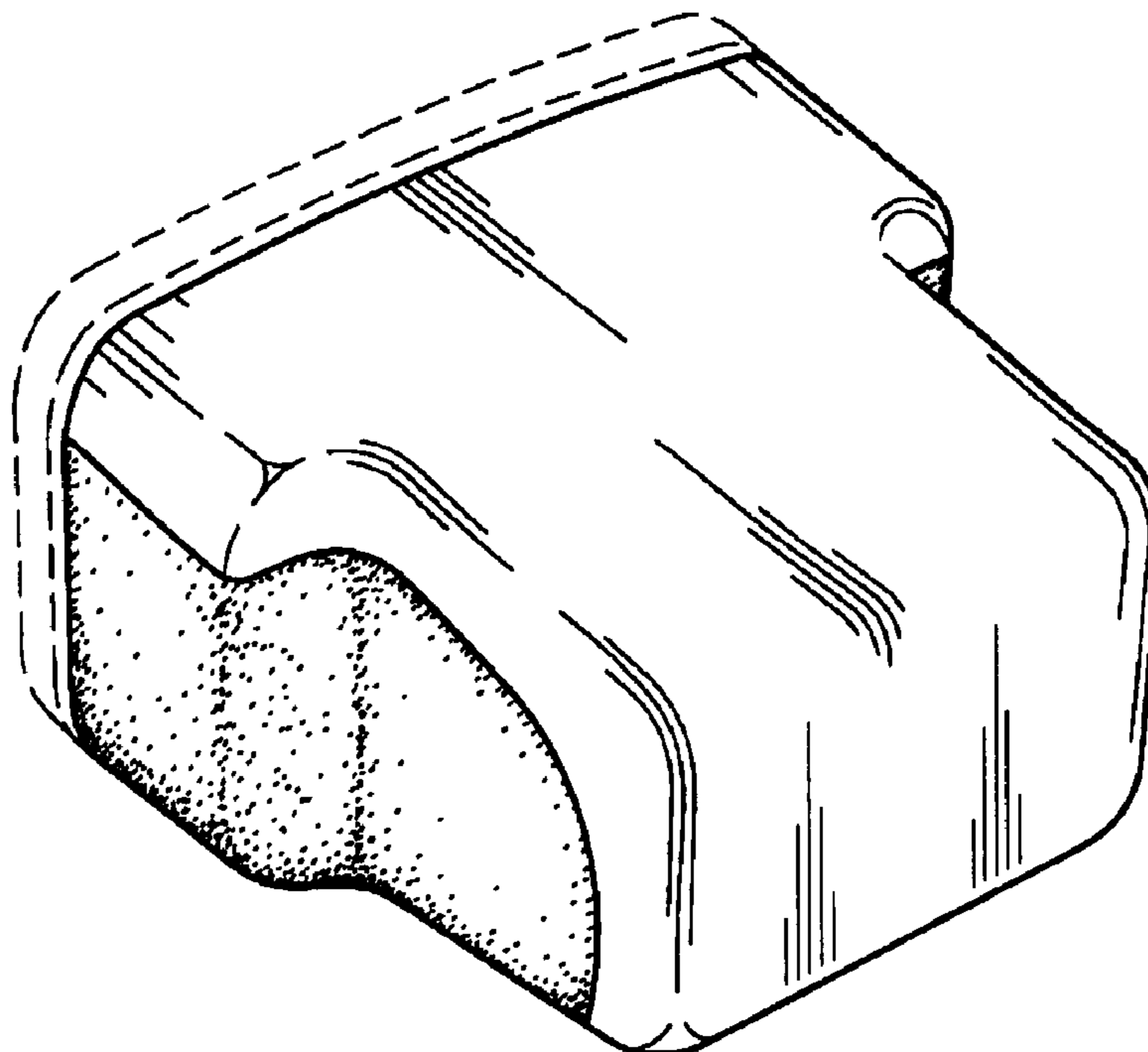
(57) **CLAIM**

The ornamental design for a printer ink reservoir, as shown and described.

DESCRIPTION

FIG. 1 is a left-front perspective view of a printer ink reservoir showing the new design;
 FIG. 2 is a top view thereof;
 FIG. 3 is a left side view thereof (a right side view is not shown but is a mirror image of the left side view);
 FIG. 4 is a front view thereof; and,
 FIG. 5 is a bottom view thereof.
 The broken lines in FIGS. 1-5 are for illustrative purposes only and form no part of the claimed design.

1 Claim, 2 Drawing Sheets



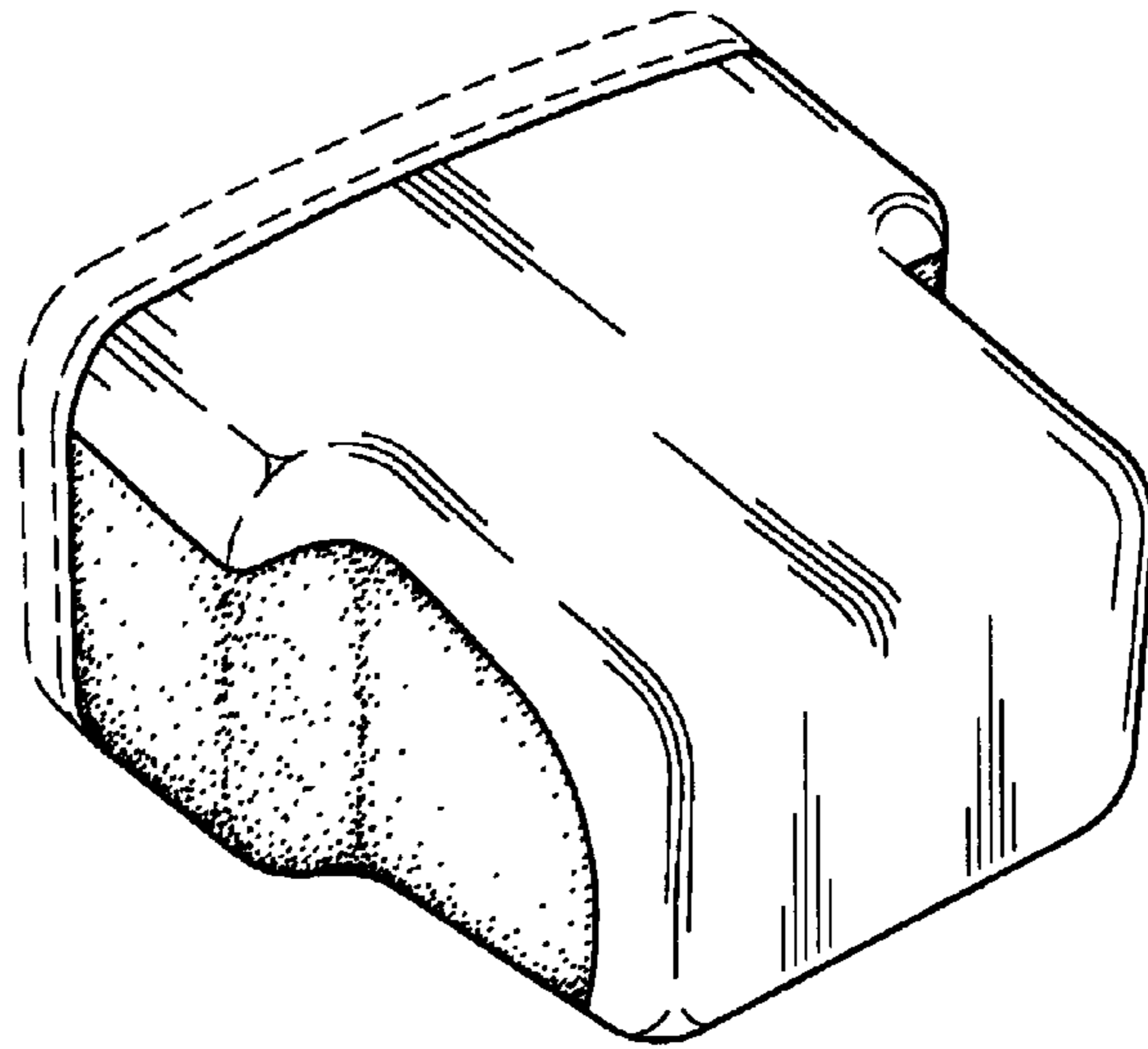


FIG. 1

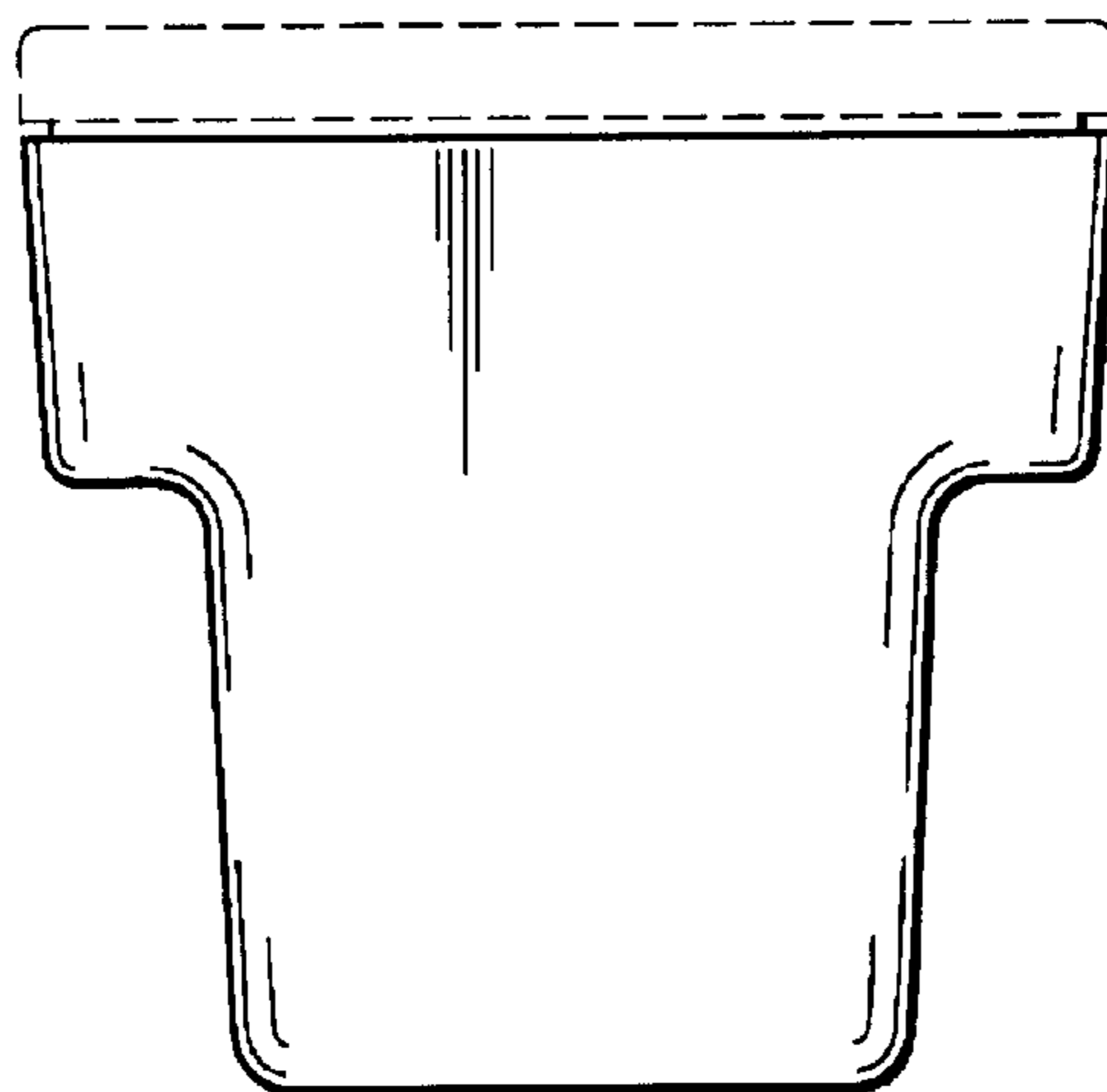


FIG. 2

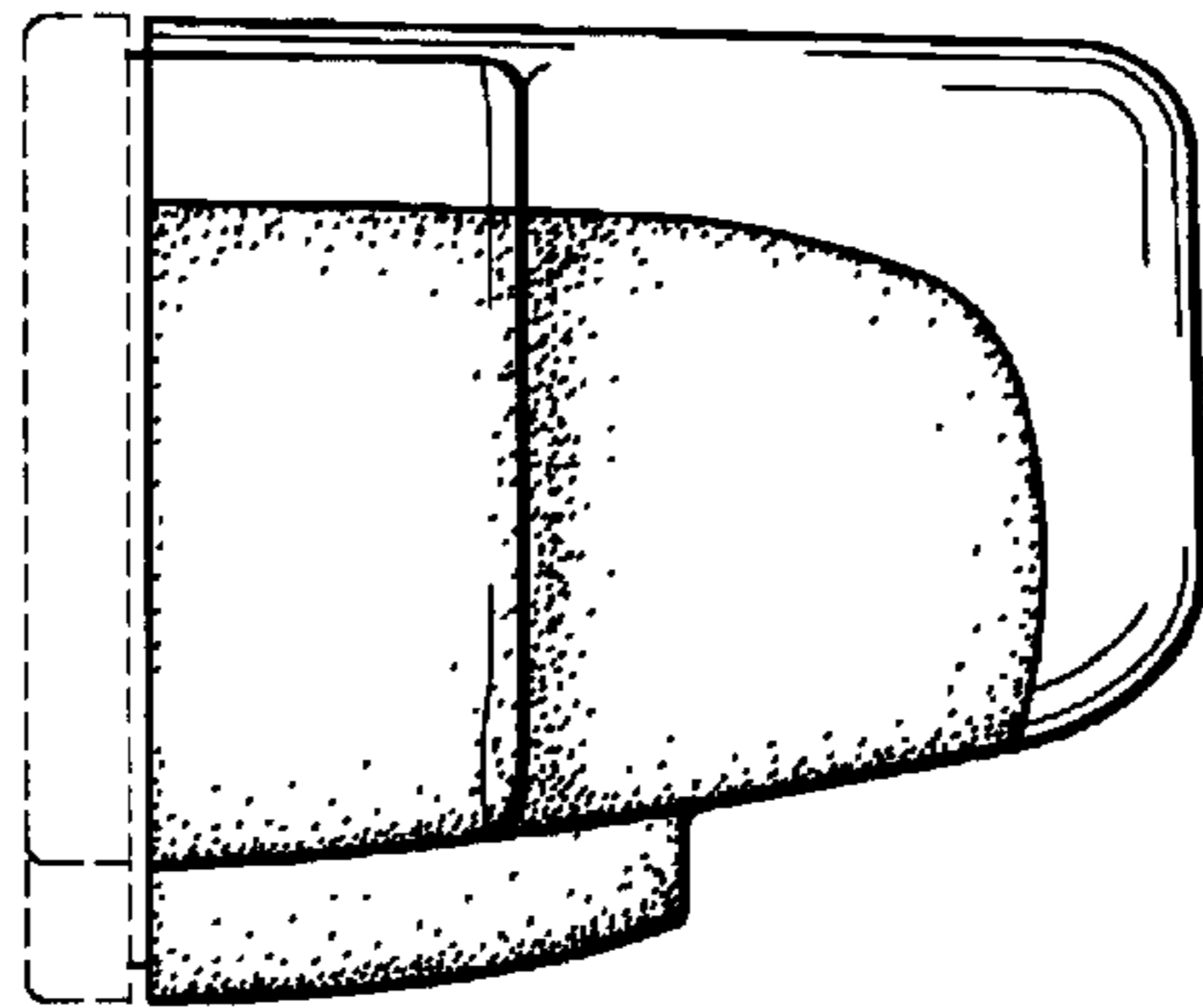


FIG. 3

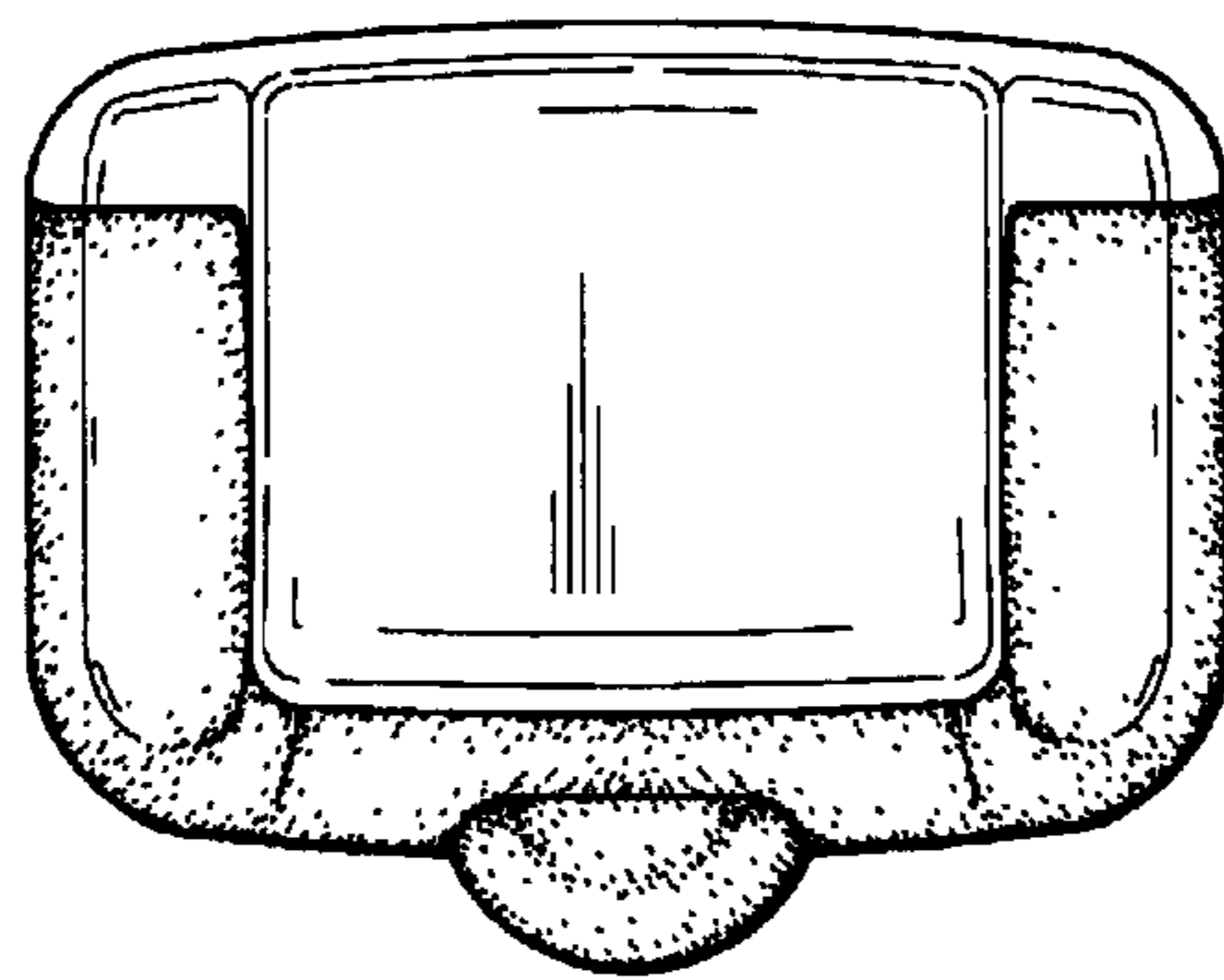


FIG. 4

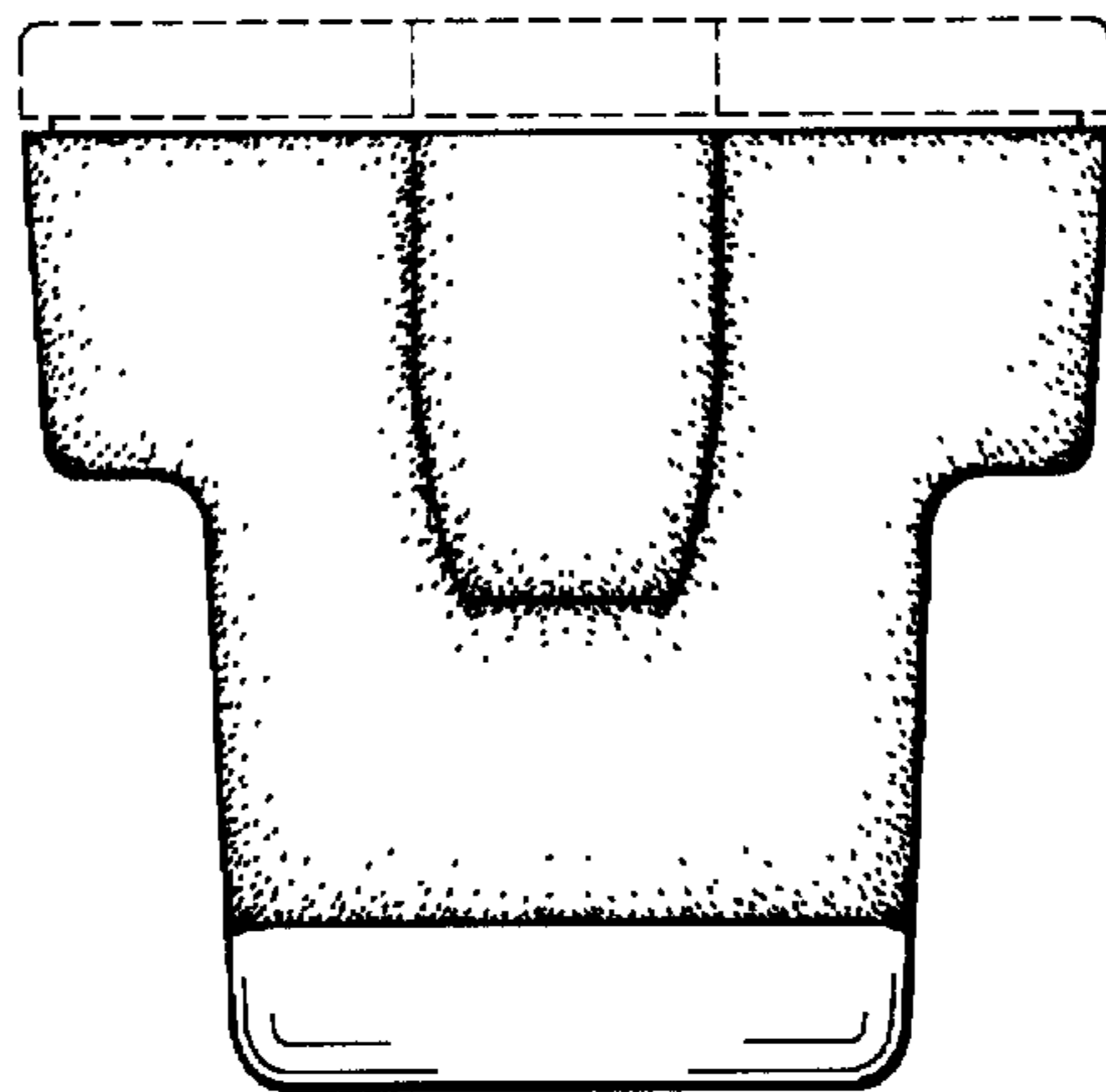


FIG. 5